



US00D882900S

(12) **United States Design Patent**
Hartley et al.

(10) **Patent No.:** **US D882,900 S**
(45) **Date of Patent:** **** Apr. 28, 2020**

(54) **RACK**

(71) Applicant: **THE DECOR CORPORATION PTY LTD**, Dandenong South, Victoria (AU)

(72) Inventors: **Toby James Hartley**, Ferntree Gully (AU); **Jim Samartgis**, Bulleen (AU); **Alexander Schoenmakers**, Elwood (AU)

(73) Assignee: **The Decor Corporation PTY LTD**, Dandenong South (AU)

(**) Term: **15 Years**

(21) Appl. No.: **29/649,366**

(22) Filed: **May 29, 2018**

(30) **Foreign Application Priority Data**

Nov. 30, 2017 (AU) 201717348

(51) **LOC (12) Cl.** **07-05**

(52) **U.S. Cl.**
USPC **D32/56**

(58) **Field of Classification Search**
USPC D32/585, 276, 3; D6/510, 525; D30/133; 211/41.5, 41.4, 41.3, 41.8; 312/311, 333, 334.4; D7/354, 629
CPC .. A47L 15/505; A47L 15/503; A47L 15/0013; A47L 19/02; A47L 19/04; A47J 47/20
See application file for complete search history.

(56) **References Cited**

U.S. PATENT DOCUMENTS

D196,169 S * 9/1963 Steinburg D32/56
D292,134 S * 9/1987 McDaniel, Sr. D32/56
D337,186 S * 7/1993 Drach D32/56
D344,828 S * 3/1994 Adams D32/56

D518,143 S * 3/2006 Weidler D23/209
D640,513 S * 6/2011 Cornu D7/698
D652,598 S * 1/2012 Joseph D32/56
D693,082 S * 11/2013 Evans D32/56
D720,109 S * 12/2014 Huang D32/55
D732,782 S * 6/2015 Huang D32/56
D781,518 S * 3/2017 Green D32/55
D851,850 S * 6/2019 Baquedo-Phinn D32/55

* cited by examiner

Primary Examiner — Austin Murphy

(74) *Attorney, Agent, or Firm* — Kilpatrick Townsend & Stockton LLP

(57) **CLAIM**

The ornamental design for a rack, as shown and described.

DESCRIPTION

FIG. 1 is a front perspective view from above of a rack showing our new design;

FIG. 2 is a rear perspective view from below thereof;

FIG. 3 is a top plan view thereof;

FIG. 4 is a bottom plan view thereof;

FIG. 5 is a front elevational view thereof;

FIG. 6 is a rear elevational view thereof;

FIG. 7 is a left side elevational view thereof; and,

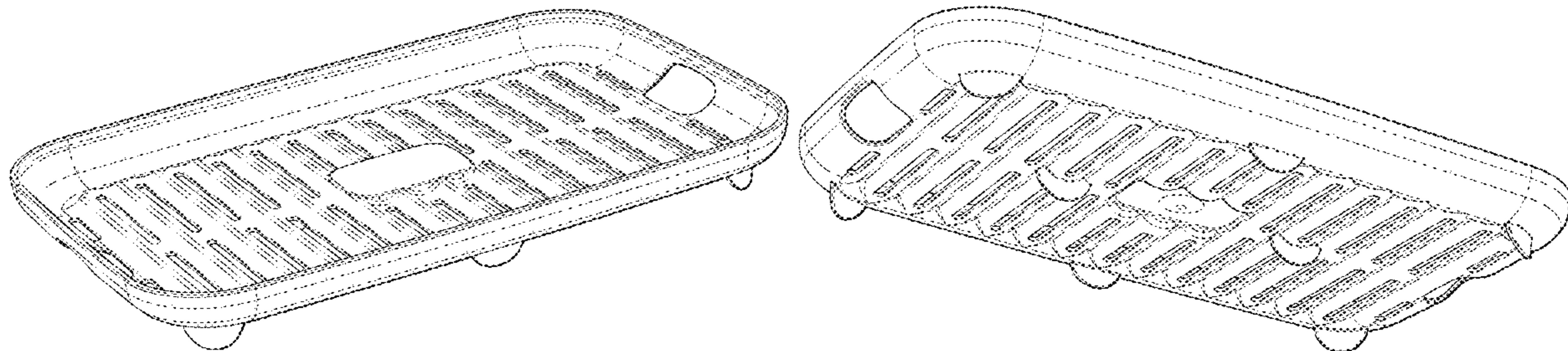
FIG. 8 is a right side elevational view thereof.

Any broken lines showing on the drawing disclosure is for illustrative purposes only and forms no part of the claimed design.

Any shading lines shown in the drawings represent an approximate three-dimensional contour of the design, and are not intended to indicate surface decoration. As is generally recognized by persons skilled in the art of preparing digital drawings, such shading lines can be light-weight solid lines meant to convey the boundaries for curved surfaces on the device.

Color may or may not form part of the claimed design.

1 Claim, 6 Drawing Sheets



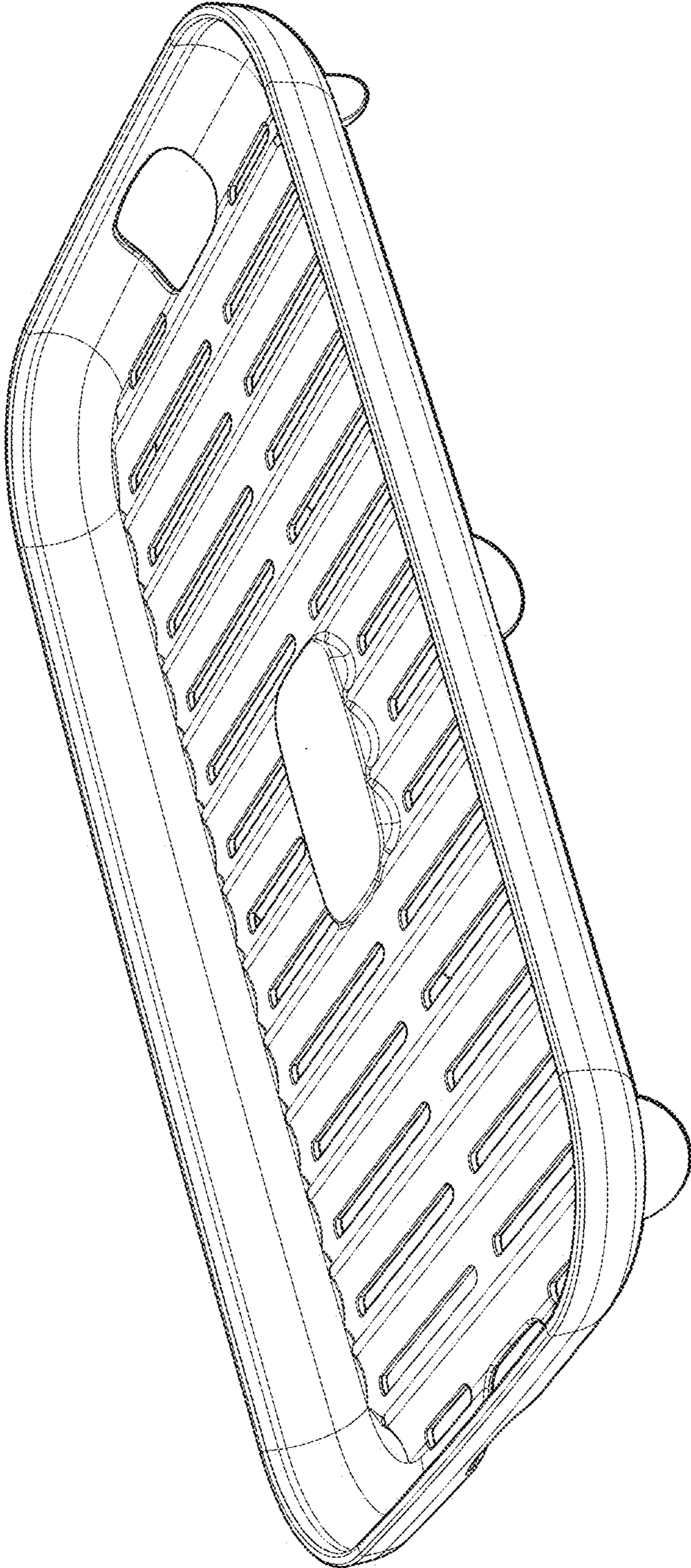


Figure 1

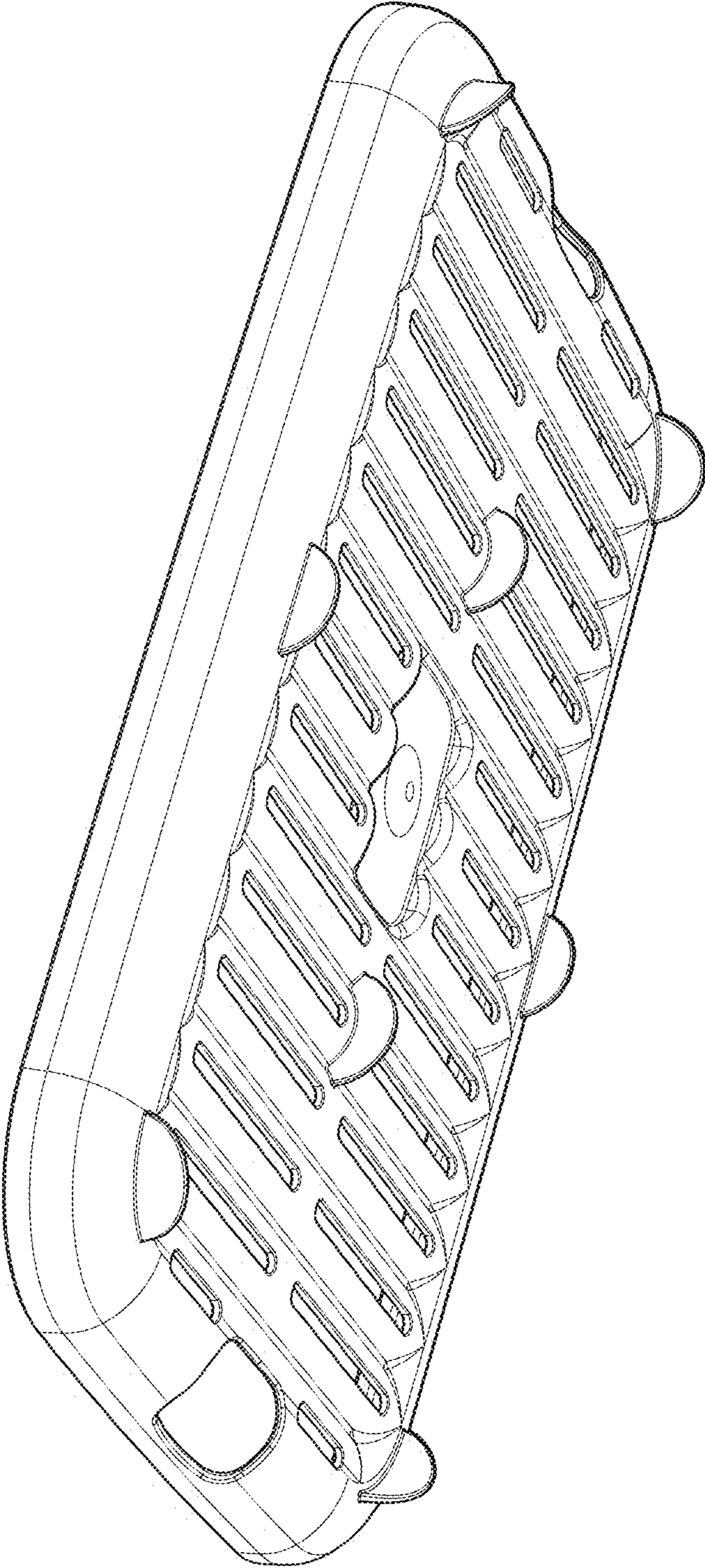


Figure 2

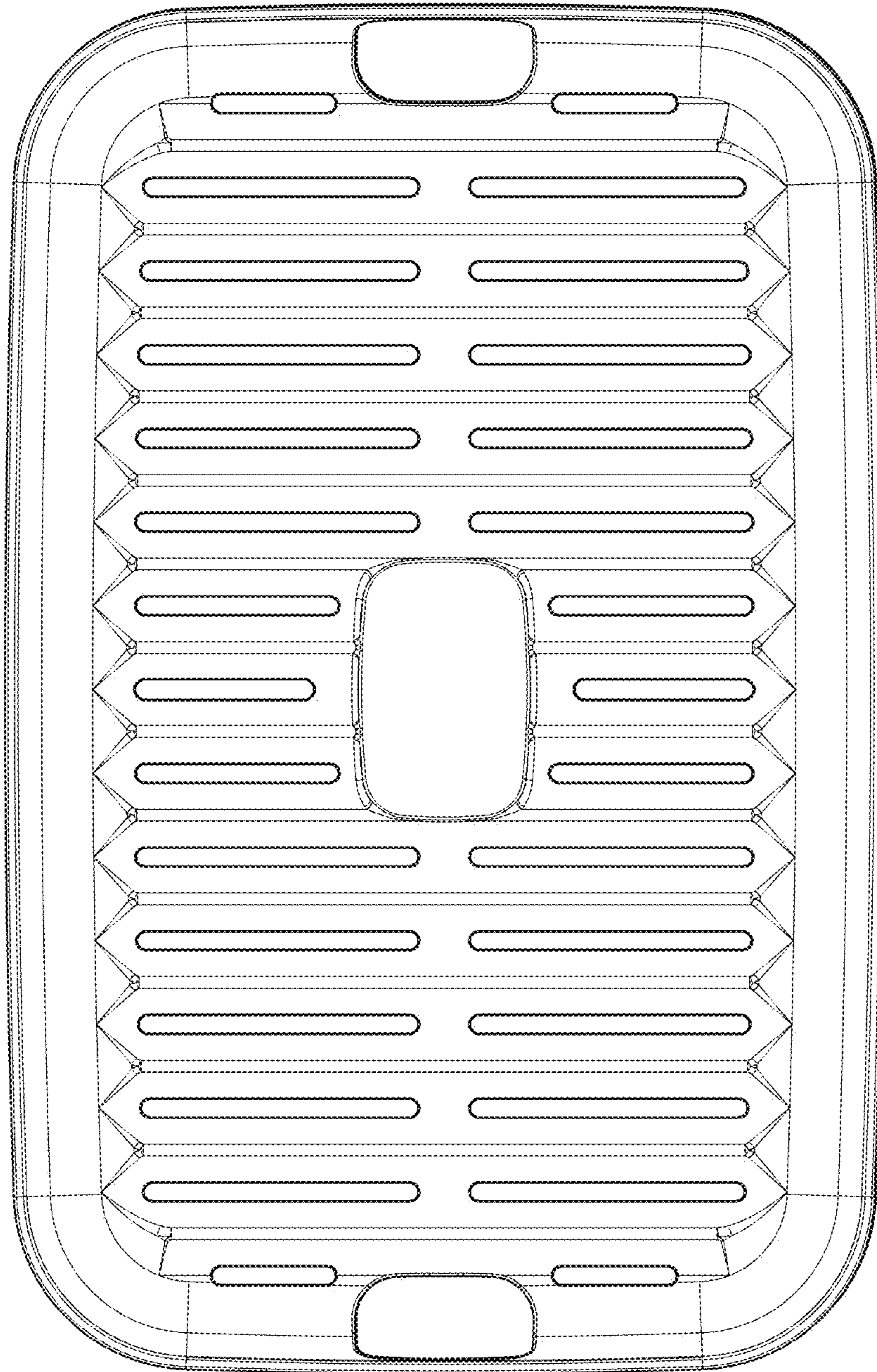


Figure 3

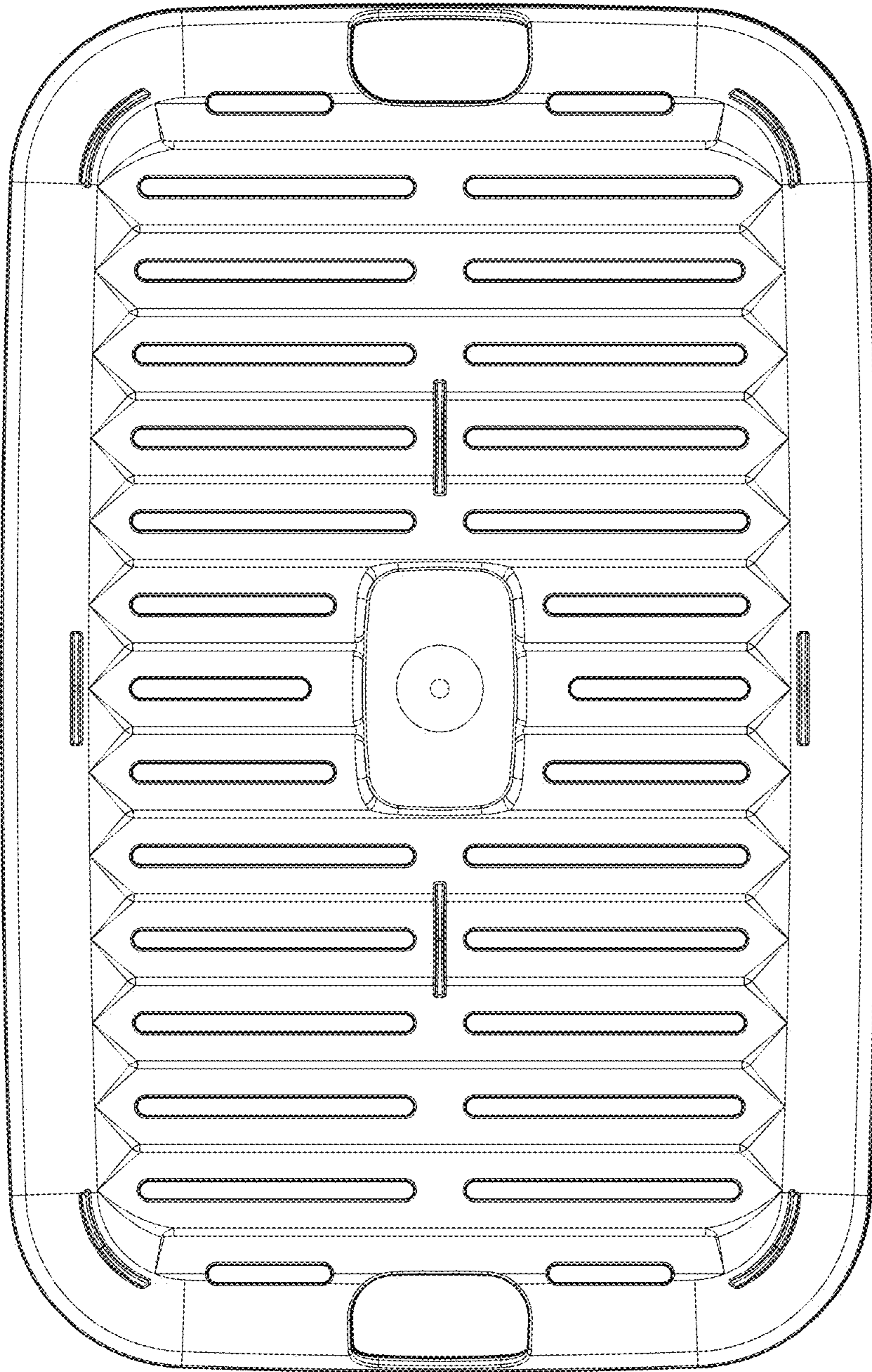


Figure 4

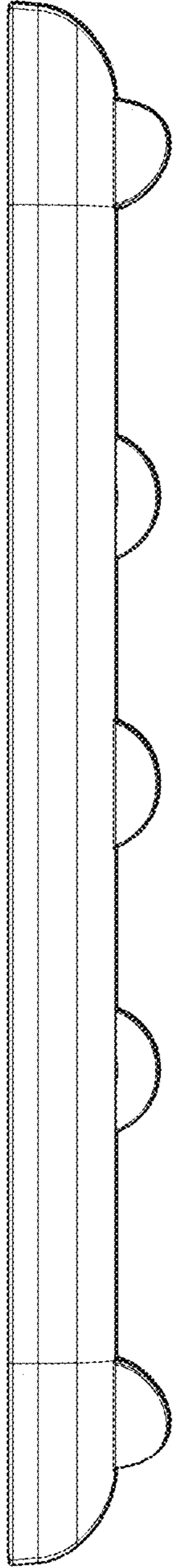


Figure 5

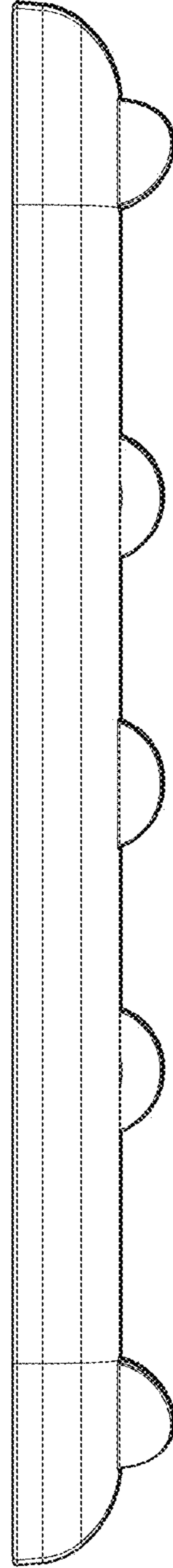


Figure 6

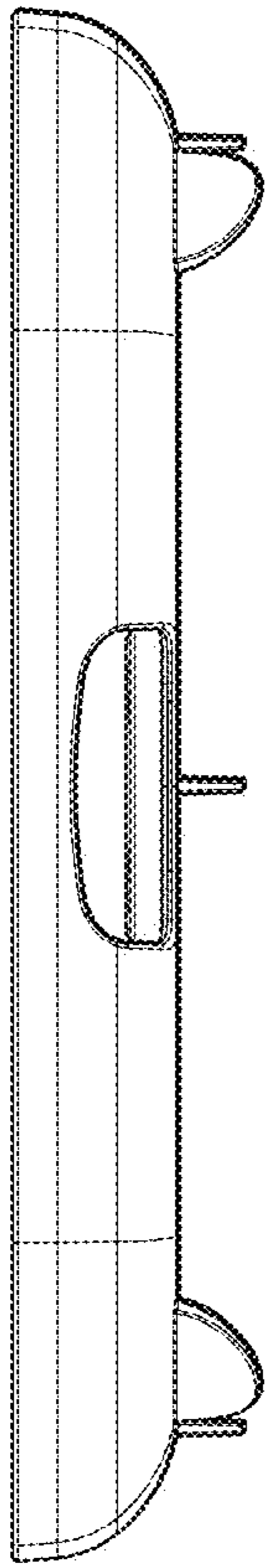


Figure 7

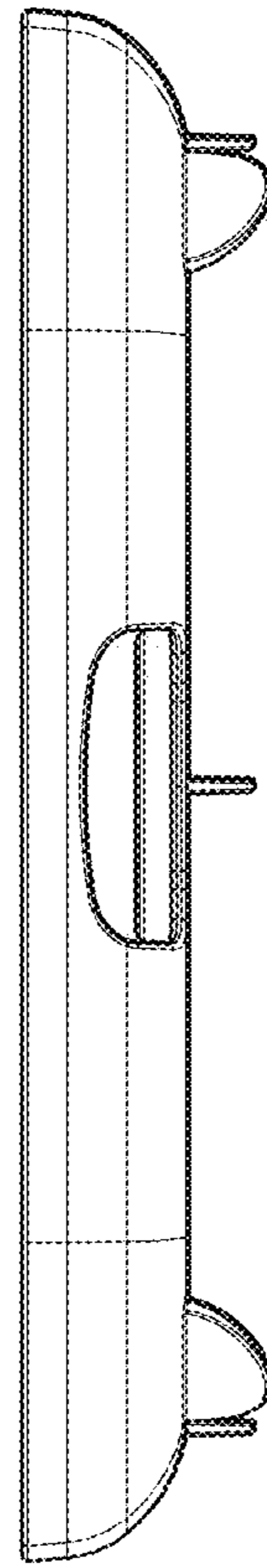


Figure 8