



US00D882899S

(12) **United States Design Patent**
Evans et al.

(10) **Patent No.:** **US D882,899 S**
(45) **Date of Patent:** **** Apr. 28, 2020**

(54) **DISH RACK**

(71) Applicant: **JOSEPH JOSEPH LTD.**, London
(GB)

(72) Inventors: **David Evans**, Cambridge (GB); **Ashley May**, Cambridge (GB)

(73) Assignee: **Joseph Joseph, Ltd.** (GB)

(**) Term: **15 Years**

(21) Appl. No.: **29/659,326**

(22) Filed: **Aug. 8, 2018**

(30) **Foreign Application Priority Data**

Feb. 8, 2018 (EM) 004701365-0005

(51) **LOC (12) Cl.** **07-05**

(52) **U.S. Cl.**
USPC **D32/55**

(58) **Field of Classification Search**

USPC D32/55, 276, 3; D6/510, 525; D30/133;
211/41.5, 41.4, 41.3, 41.8; 361/679.4;
312/311, 333, 334.4; D7/354, 629

CPC .. A47L 15/505; A47L 15/503; A47L 15/0013;
A47L 19/02; A47L 19/04; A47J 47/20

See application file for complete search history.

(56) **References Cited**

U.S. PATENT DOCUMENTS

D492,457 S * 6/2004 Soroka D32/55
D634,089 S * 3/2011 Wisniewski D32/55

D692,200 S * 10/2013 Lee D32/55
D732,256 S * 6/2015 Huang D32/55
D755,459 S * 5/2016 Erby D32/56
D799,133 S * 10/2017 Wong D32/55
D814,730 S * 4/2018 Cooper D32/55
D825,874 S * 8/2018 Johnson D32/55

* cited by examiner

Primary Examiner — Austin Murphy

(74) *Attorney, Agent, or Firm* — Millen, White, Zelano & Branigan, PC; Ryan Pool

(57) **CLAIM**

The ornamental design for a dish rack, as shown and described.

DESCRIPTION

FIG. 1 is a front view of the dish rack showing my new design.

FIG. 2 is back view thereof.

FIG. 3 is a side view thereof.

FIG. 4 is another side view thereof.

FIG. 5 is top view thereof.

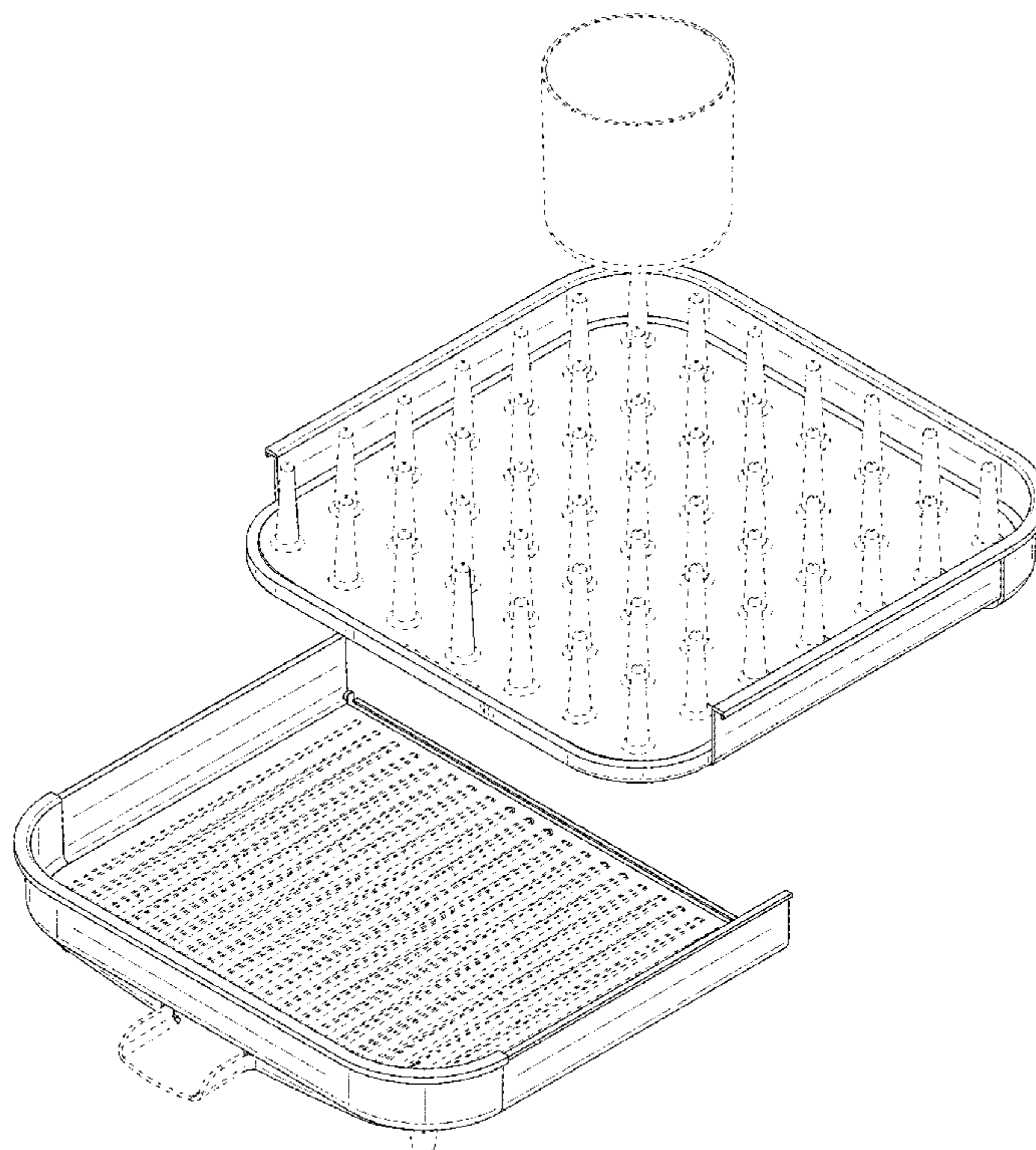
FIG. 6 is bottom view thereof.

FIG. 7 is a top perspective view thereof; and,

FIG. 8 is an exploded top perspective view thereof.

The broken lines in the drawings illustrate portions of the dish rack which form no part of the claimed design.

1 Claim, 8 Drawing Sheets



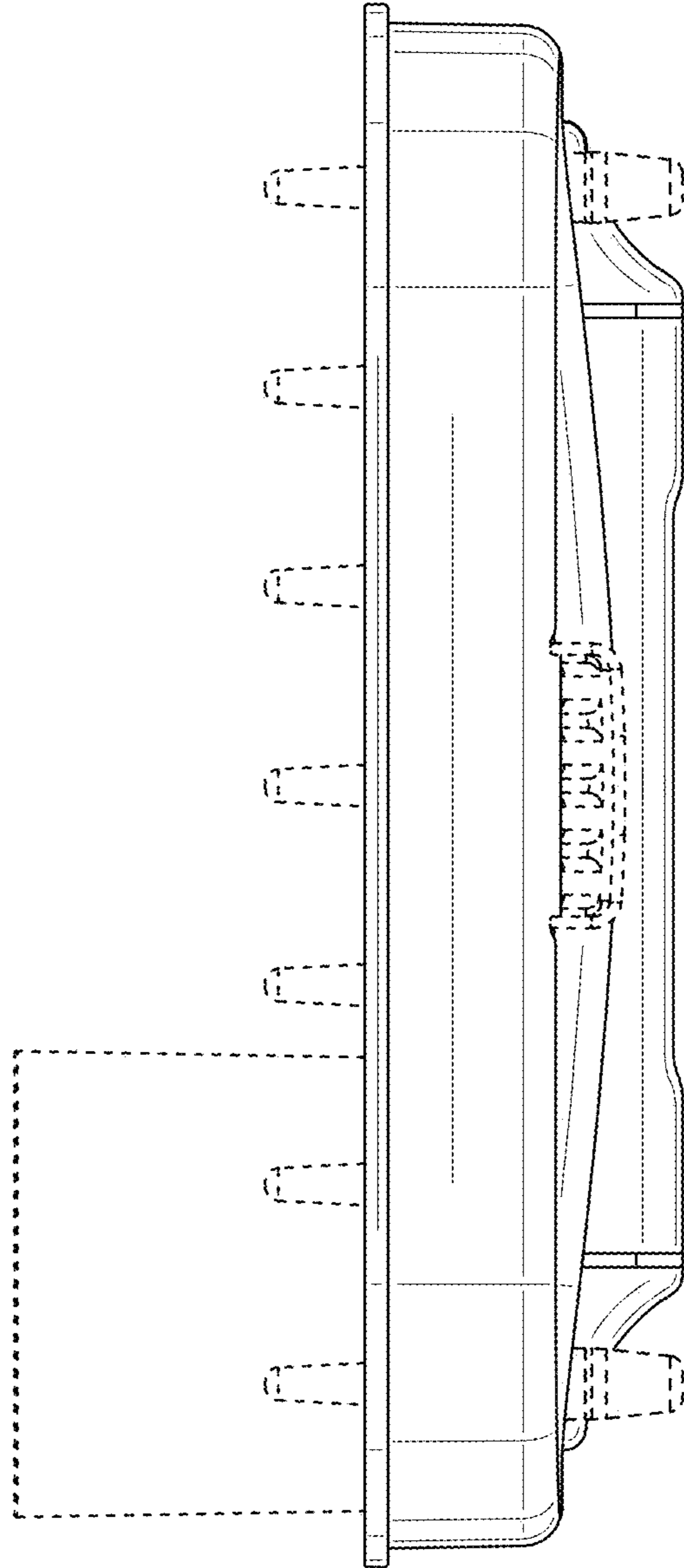


FIG. 1

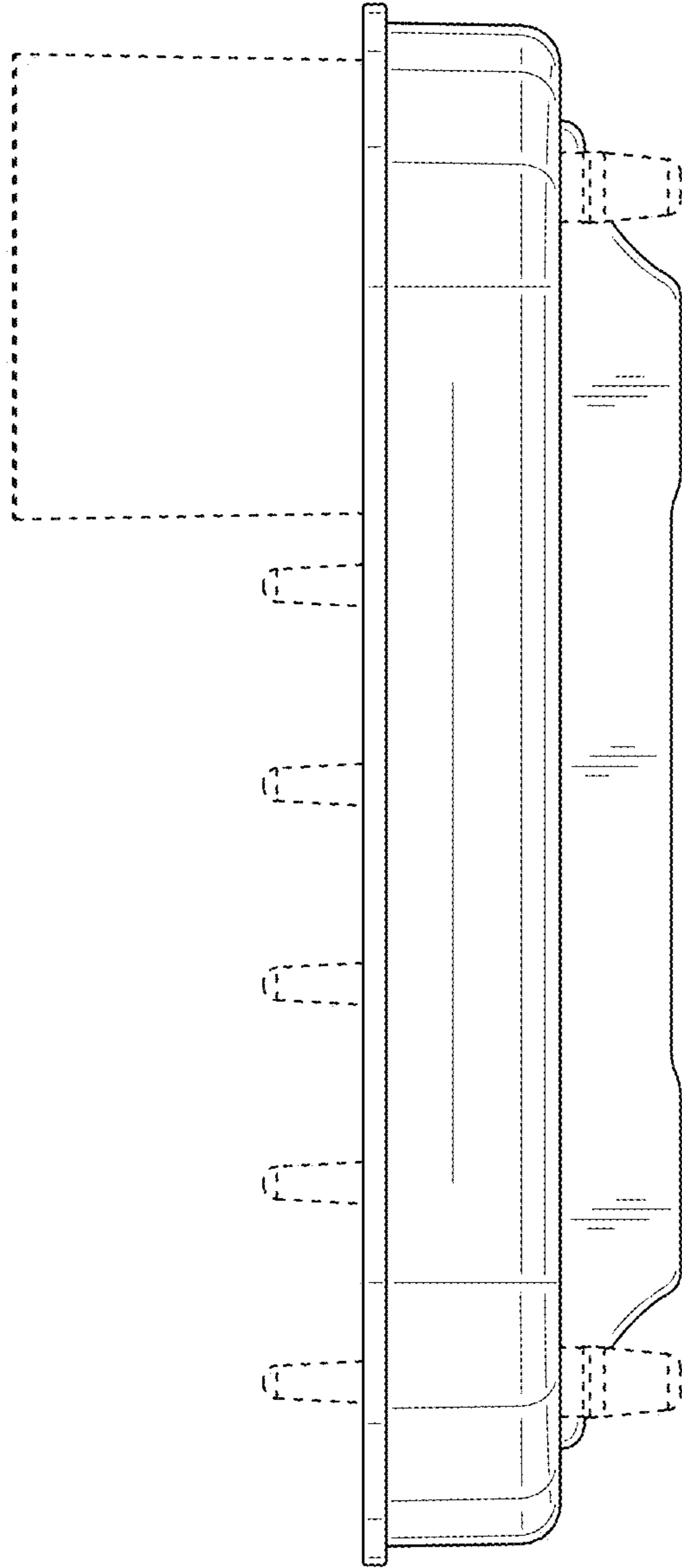


FIG. 2

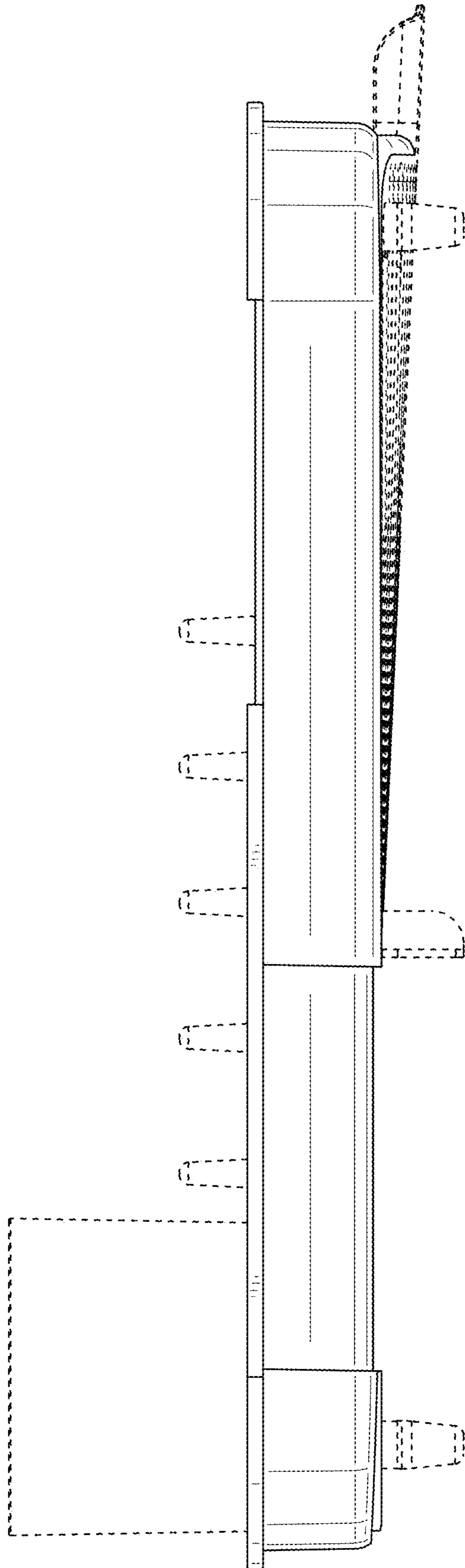


FIG. 3

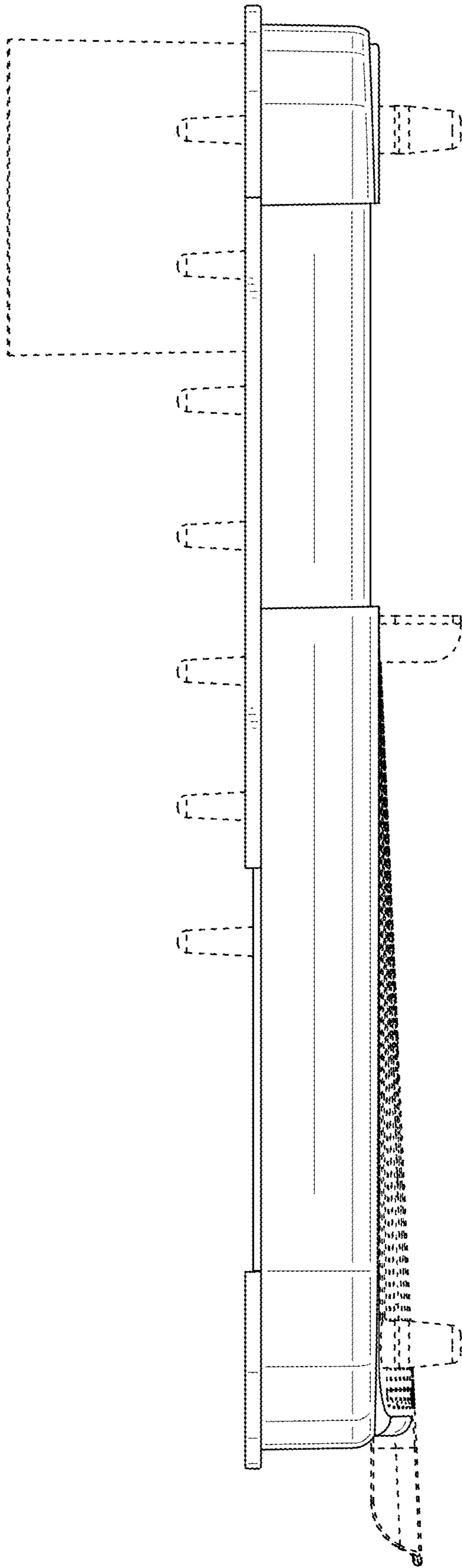


FIG. 4

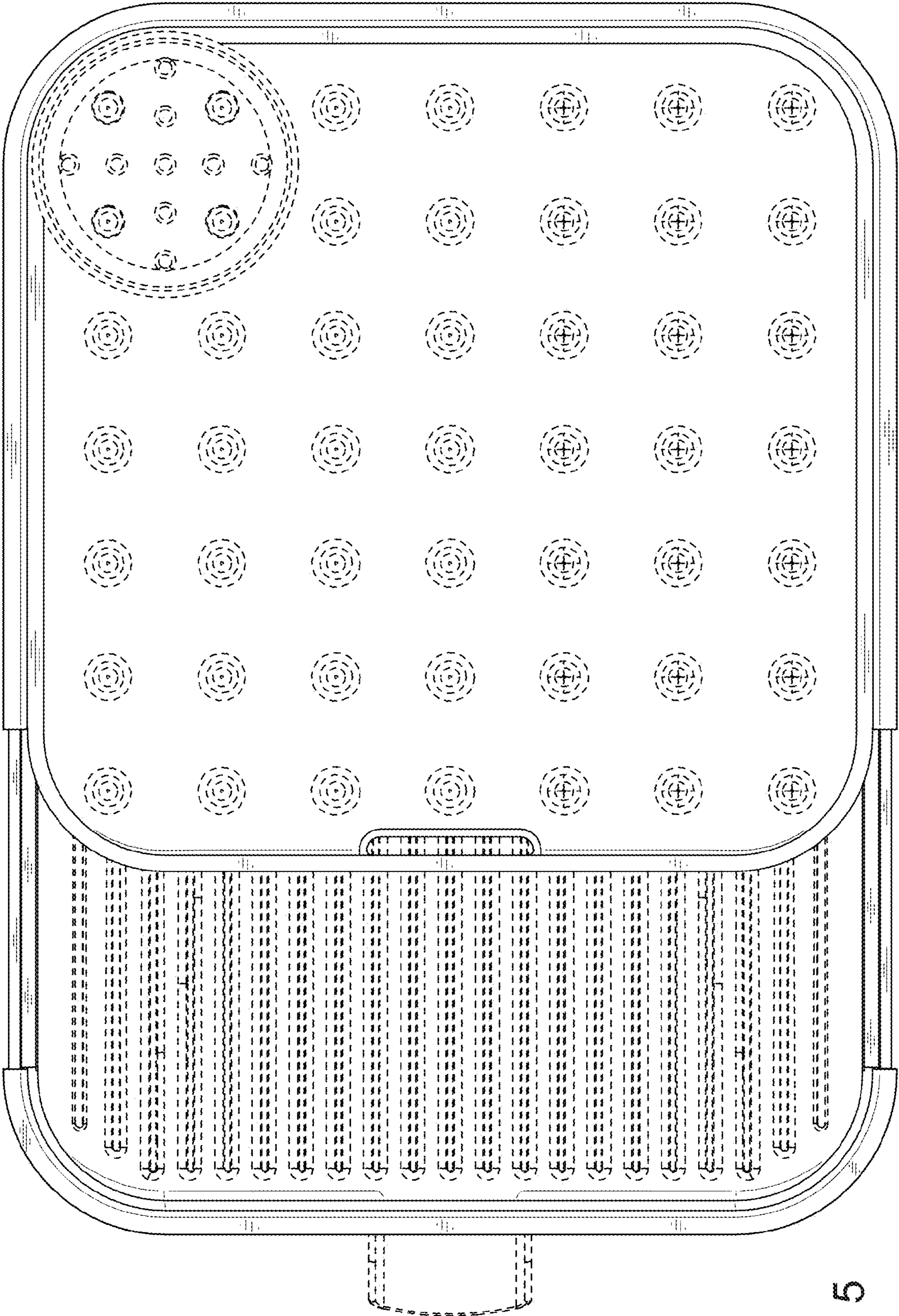


FIG. 5

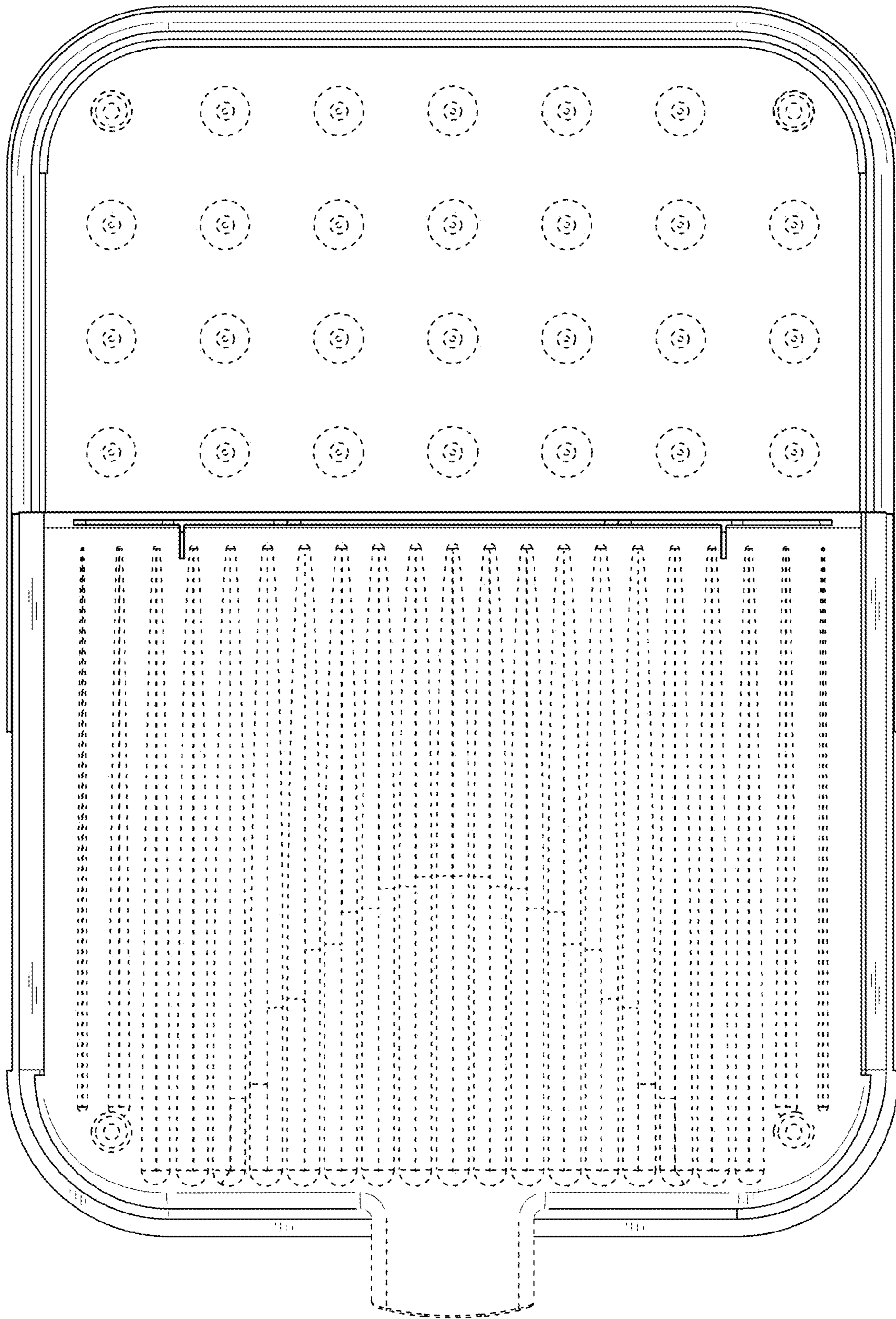


FIG. 6

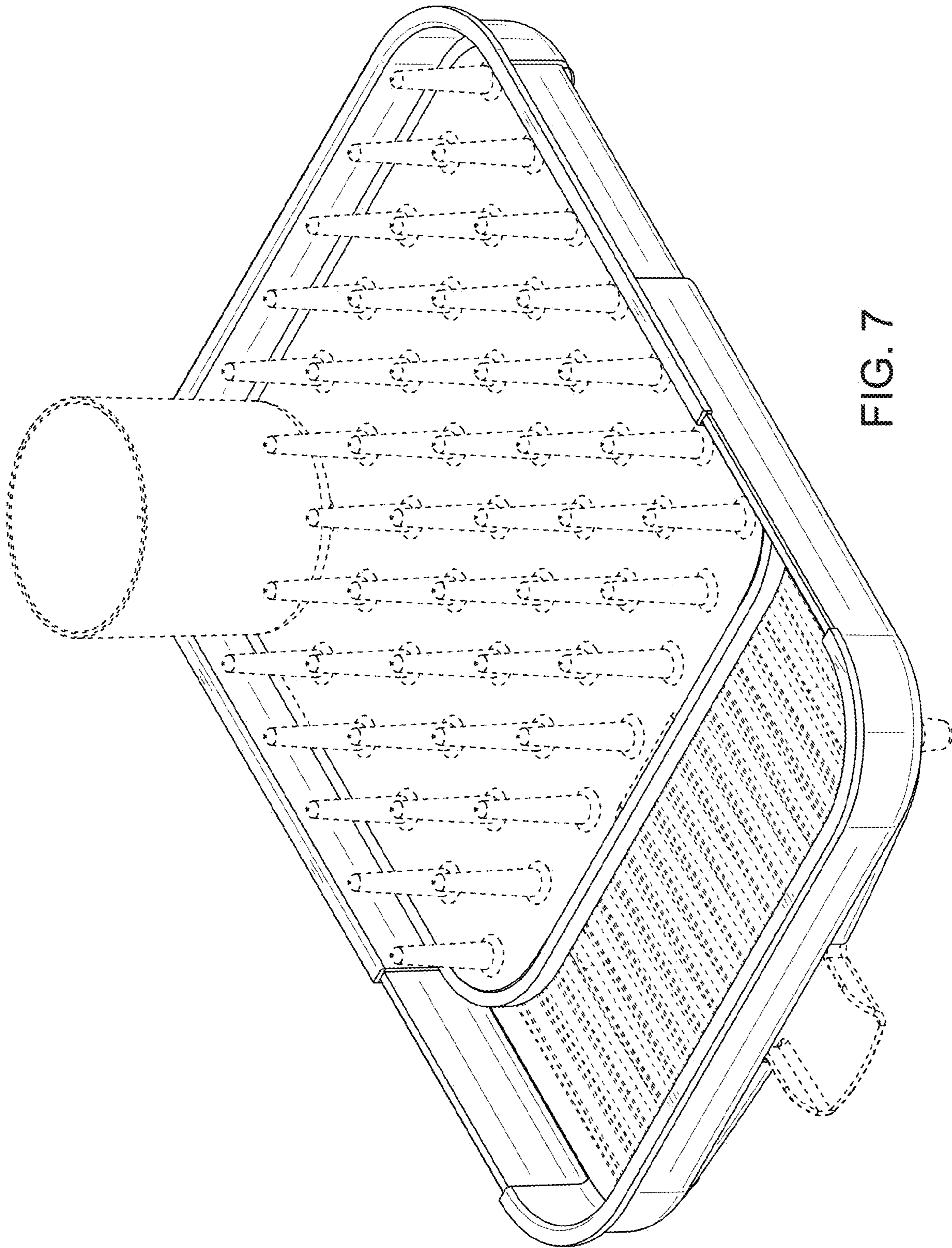


FIG. 7

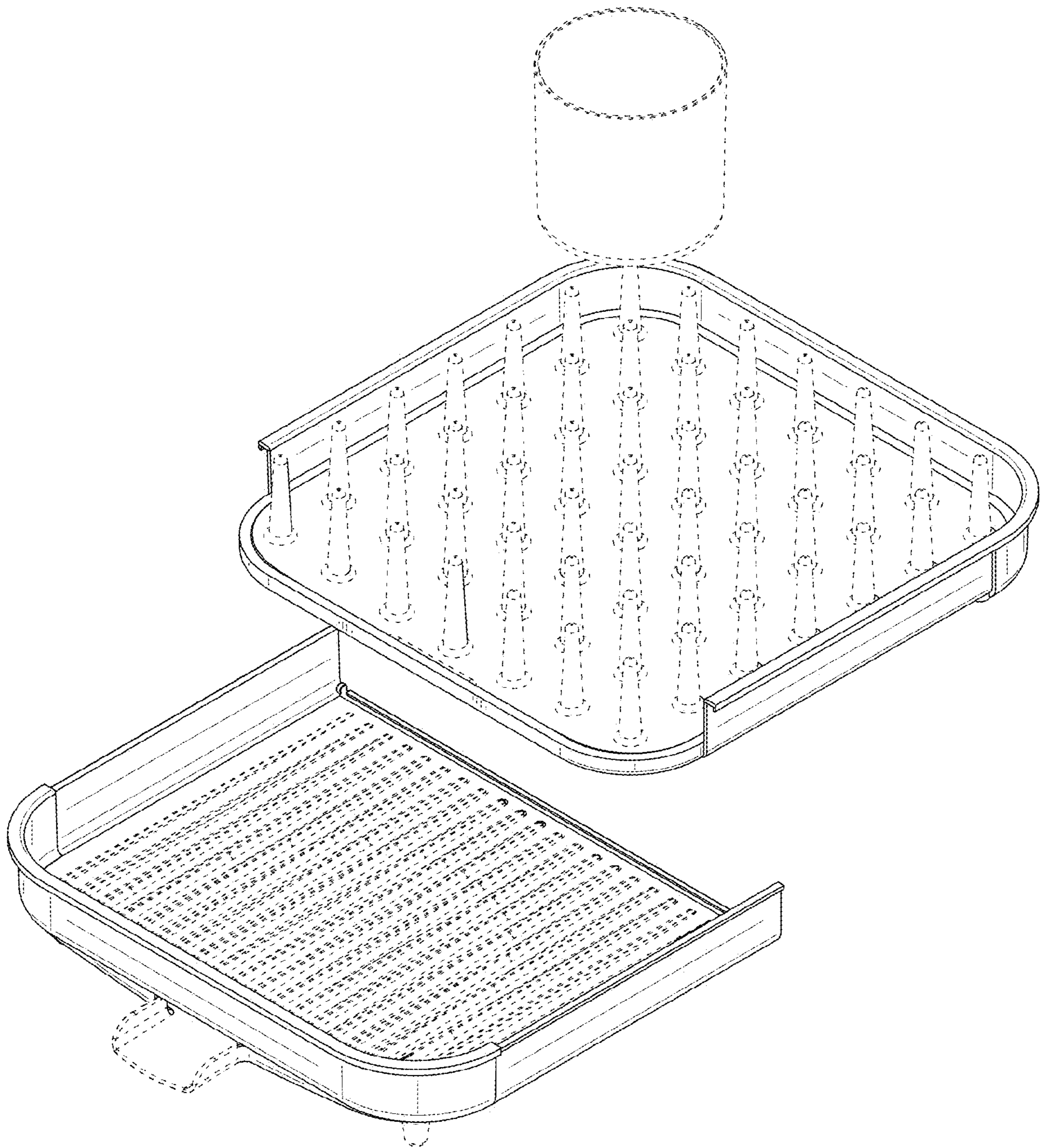


FIG. 8