



US00D882898S

(12) **United States Design Patent**
Kim et al.

(10) **Patent No.:** **US D882,898 S**

(45) **Date of Patent:** **** Apr. 28, 2020**

(54) **SPIN MOP BRUSH FOR CLEANER**

8,407,845 B2 * 4/2013 Yu A47L 13/14
15/119.1

(71) Applicant: **Samsung Electronics Co., Ltd.**,
Suwon-si (KR)

D707,410 S * 6/2014 Jaeyoul D32/31
D795,518 S * 8/2017 Chung D32/45
D838,420 S * 1/2019 Khubani D32/38
D850,037 S * 5/2019 Szymanski D32/20
D855,271 S * 7/2019 Liang D32/50
D866,898 S * 11/2019 Tao D32/50
2018/0035858 A1 * 2/2018 Jung A47L 5/24
2018/0235425 A1 * 8/2018 Ding A47L 13/256

(72) Inventors: **Yeonsu Kim**, Seoul (KR); **Yeonyoung Nam**, Goyang-si (KR); **Hyoungsub Choi**, Goyang-si (KR)

(73) Assignee: **SAMSUNG ELECTRONICS CO., LTD.**, Gyeonggi-Do (KR)

FOREIGN PATENT DOCUMENTS

(**) Term: **15 Years**

CN 303912575 11/2016
CN 303933204 11/2016
KR 300554987 3/2010
KR 300788166 3/2015

(21) Appl. No.: **29/675,331**

* cited by examiner

(22) Filed: **Dec. 31, 2018**

Primary Examiner — Ruth McInroy

(30) **Foreign Application Priority Data**

(74) *Attorney, Agent, or Firm* — Cantor Colburn LLP

Aug. 29, 2018 (KR) 30-2018-0040346

(51) **LOC (12) Cl.** **15-05**

(57) **CLAIM**

(52) **U.S. Cl.**
USPC **D32/50**

The ornamental design for a spin mop brush for cleaner, as shown and described.

(58) **Field of Classification Search**
USPC ... D32/17, 31-34, 19-20, 22, 25, 40, 45, 50
CPC . A47L 9/02; A47L 9/04; A47L 9/0461; A47L 9/0472; A47L 5/26; A47L 5/28; A47L 11/4044; A47L 11/4038; A47L 13/20; A47L 13/24; A47L 13/16
See application file for complete search history.

DESCRIPTION

(56) **References Cited**

U.S. PATENT DOCUMENTS

D442,288 S * 5/2001 Bloor D32/19
7,025,835 B2 * 4/2006 Pedlar A47L 11/305
134/21
D537,993 S * 3/2007 Deleo D32/25
7,640,626 B2 * 1/2010 Oh A47L 9/0472
15/321
7,743,462 B2 * 6/2010 Yoo A47L 9/04
15/375

FIG. 1 is a front perspective view of a spin mop brush for cleaner, showing our new design;
FIG. 2 is a front view thereof;
FIG. 3 is a rear view thereof;
FIG. 4 is a left-side view thereof;
FIG. 5 is a right-side view thereof;
FIG. 6 is a top view thereof;
FIG. 7 is a bottom view thereof;
FIG. 8 is a rear perspective view thereof;
FIG. 9 is a bottom perspective view thereof; and,
FIG. 10 is a perspective view thereof shown in an alternate environment.
The details shown in broken lines form no part of the claimed design.

1 Claim, 8 Drawing Sheets

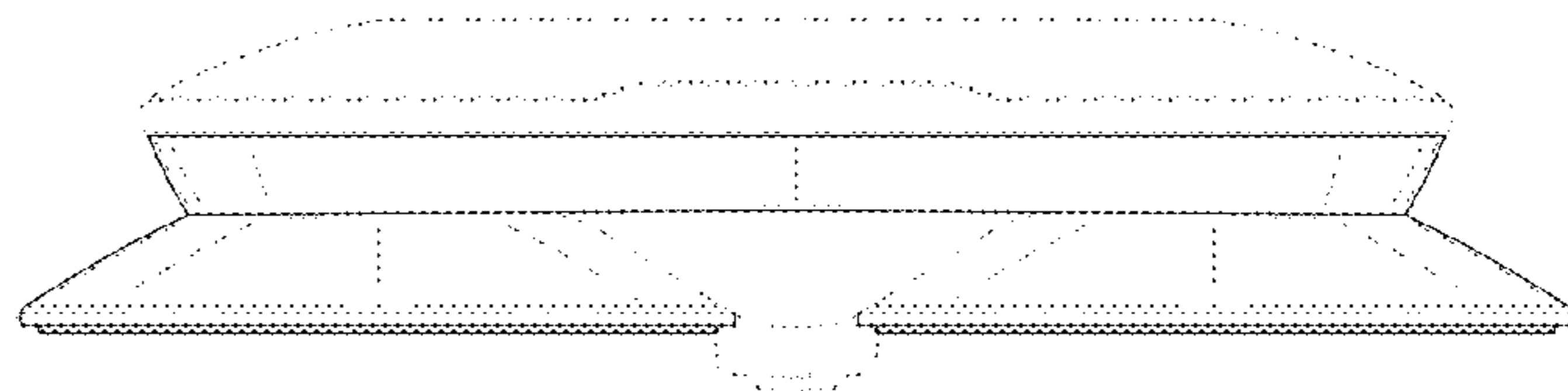
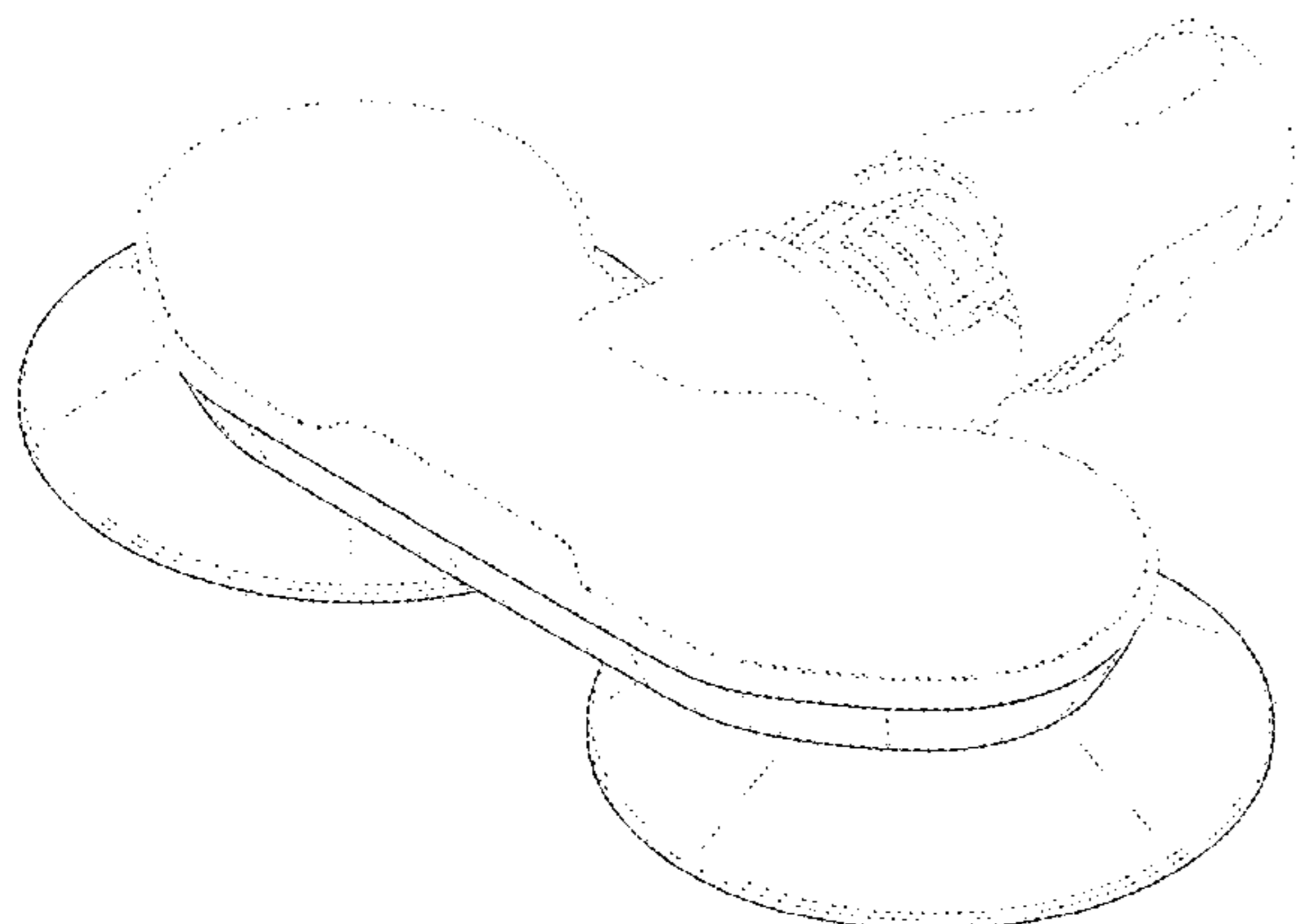


FIG. 1

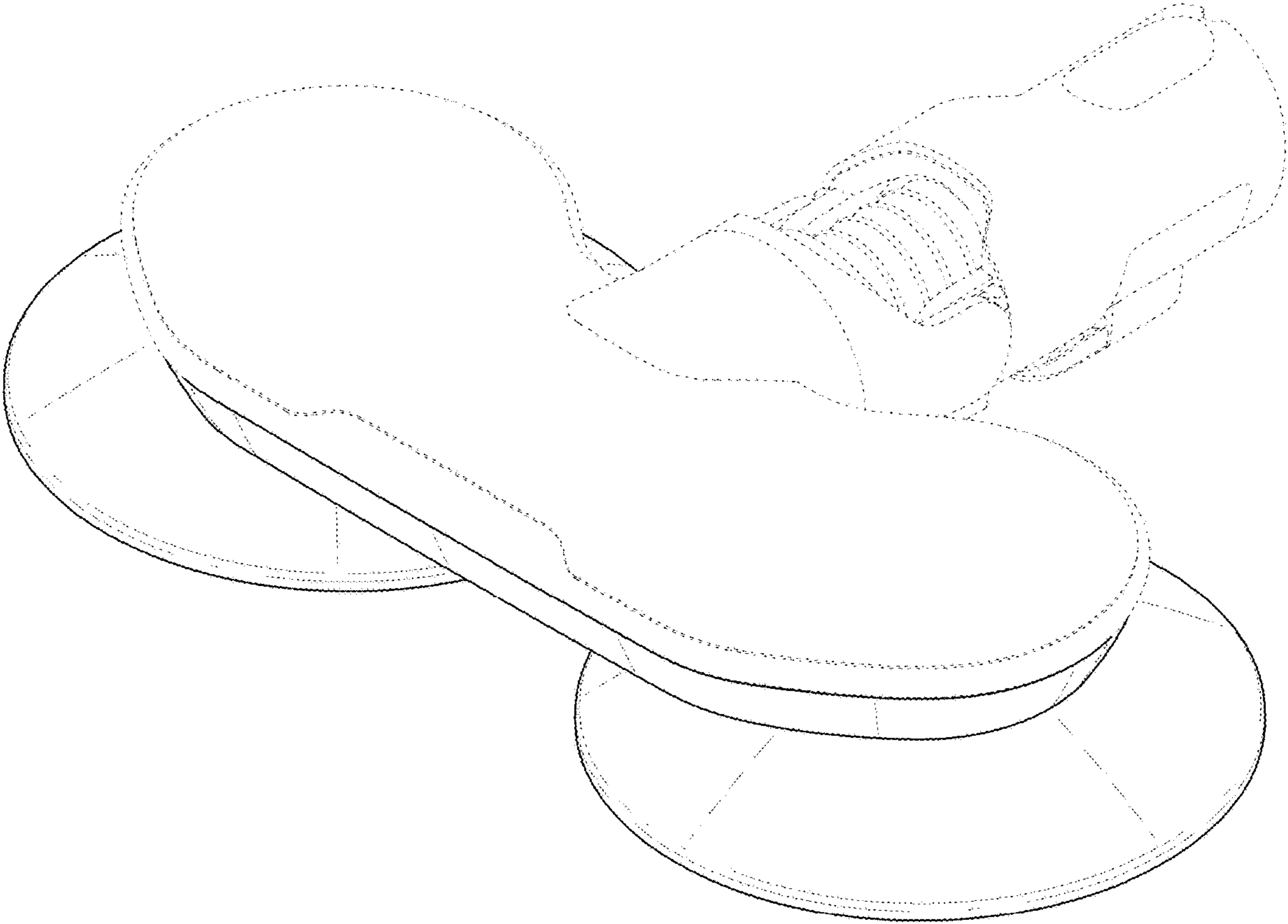


FIG. 2

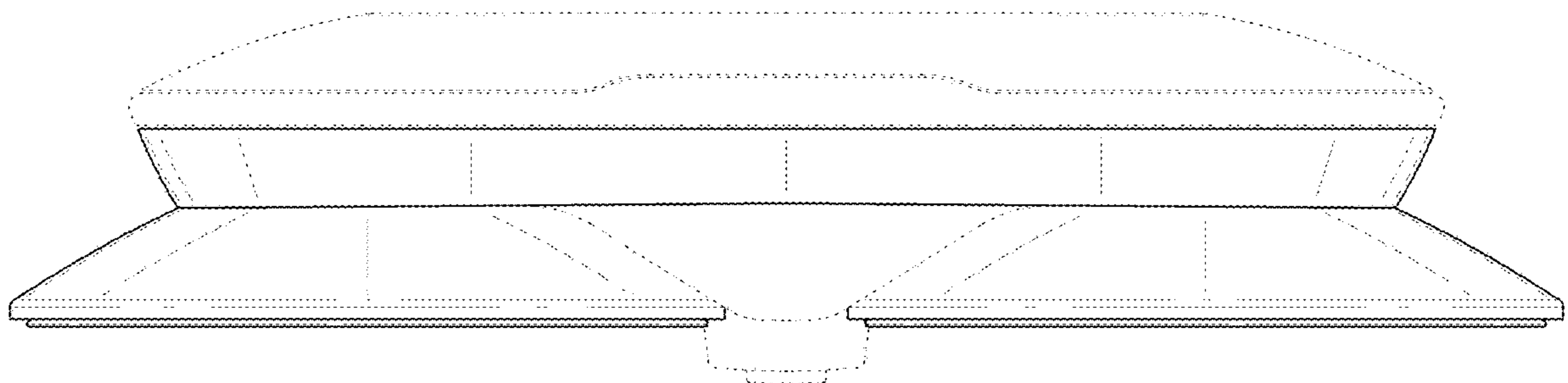


FIG. 3

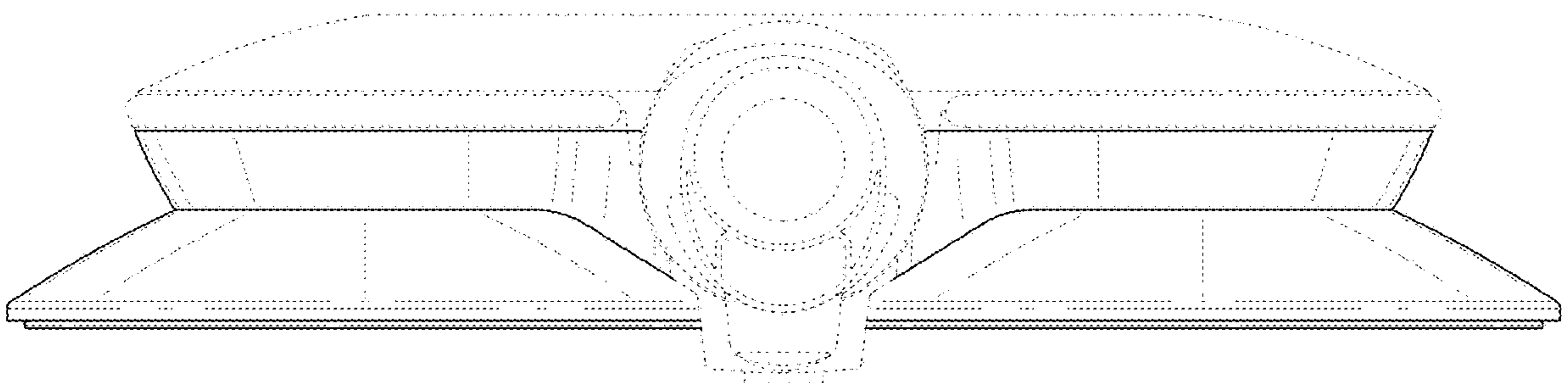


FIG. 4

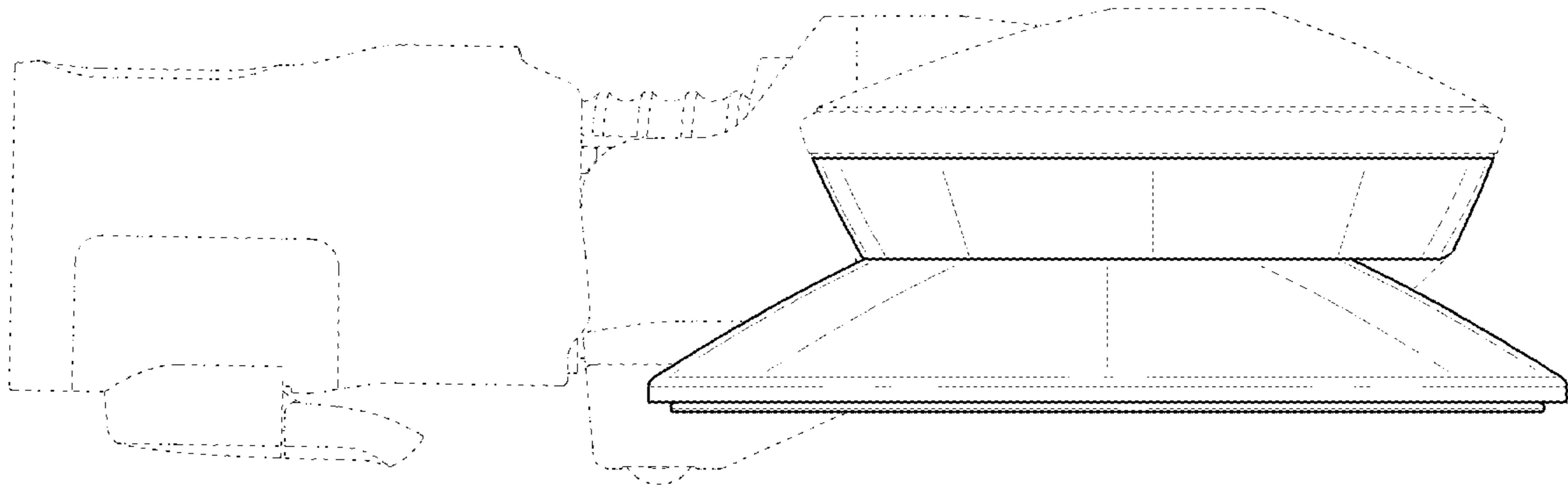


FIG. 5

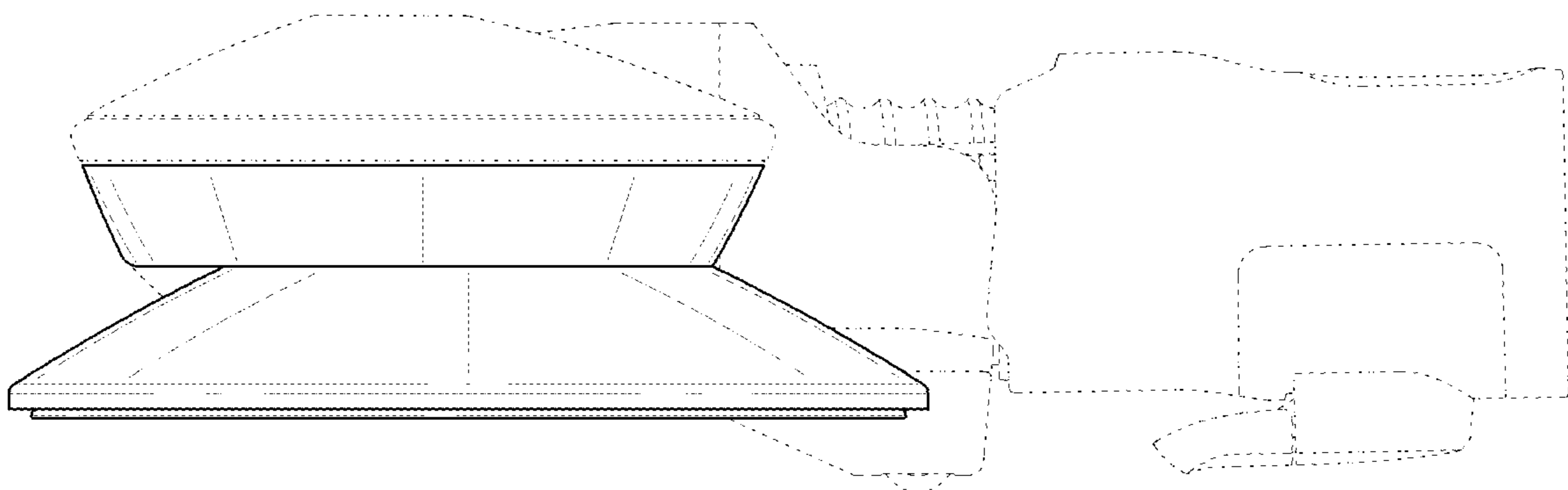


FIG. 6

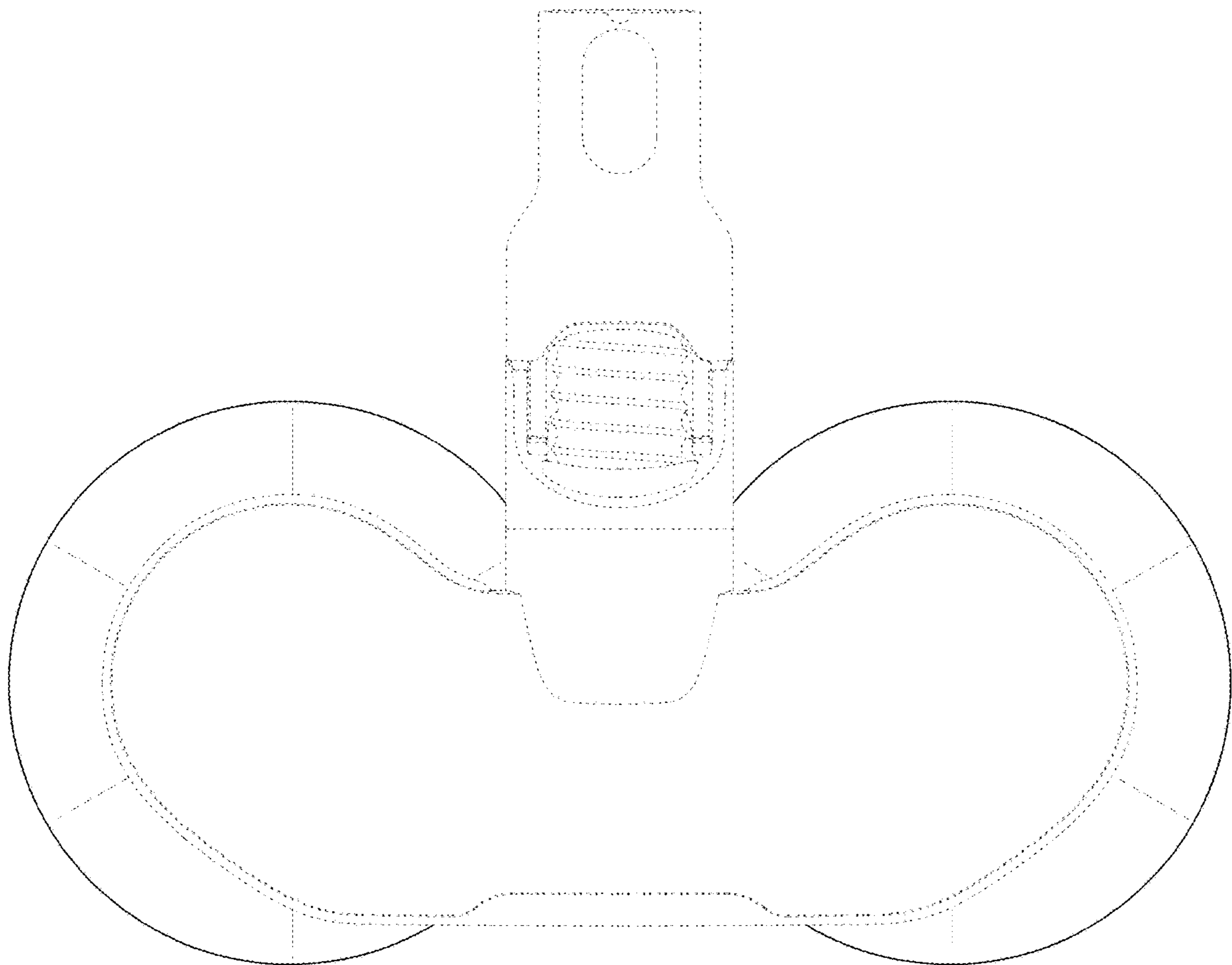


FIG. 7

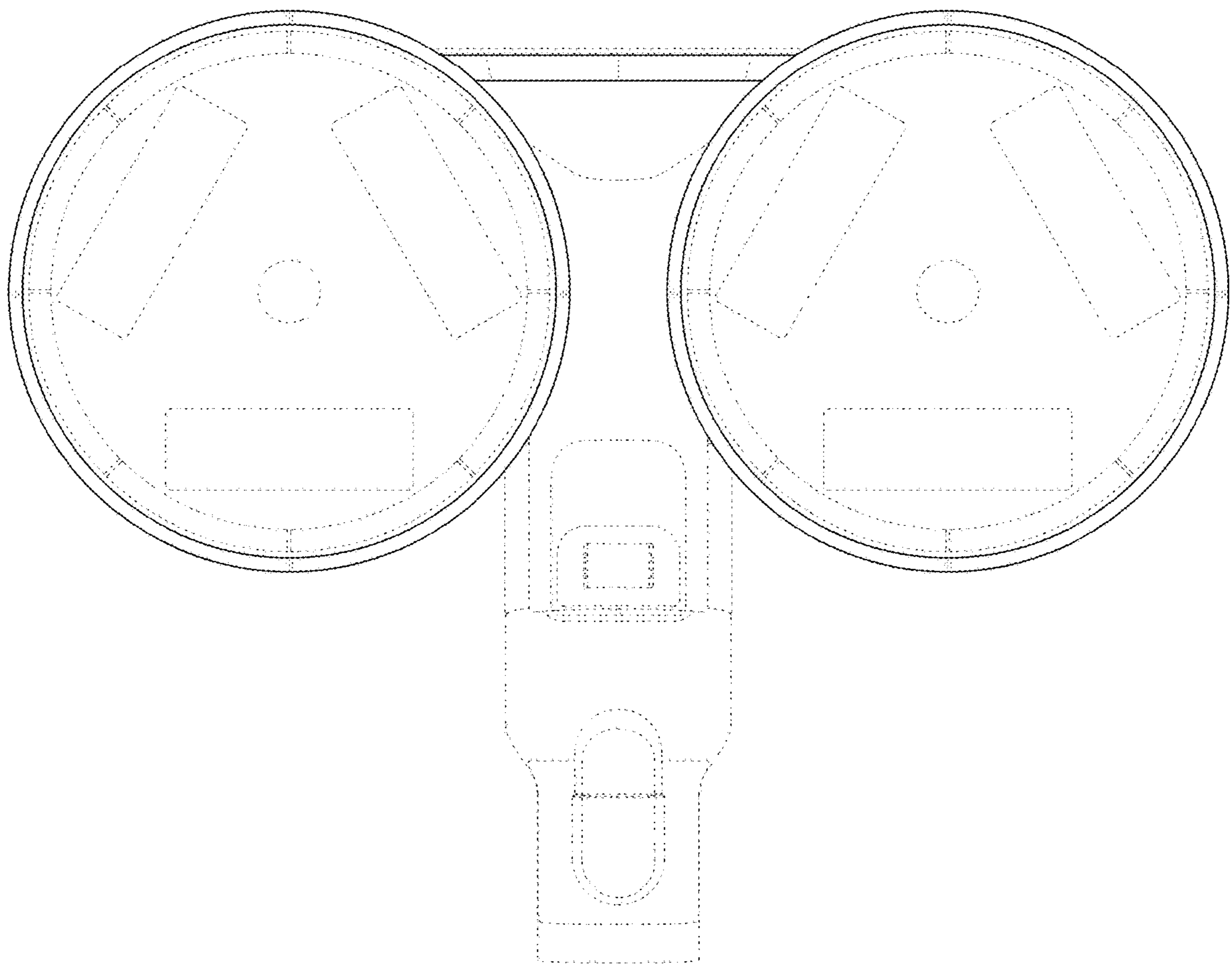


FIG. 8

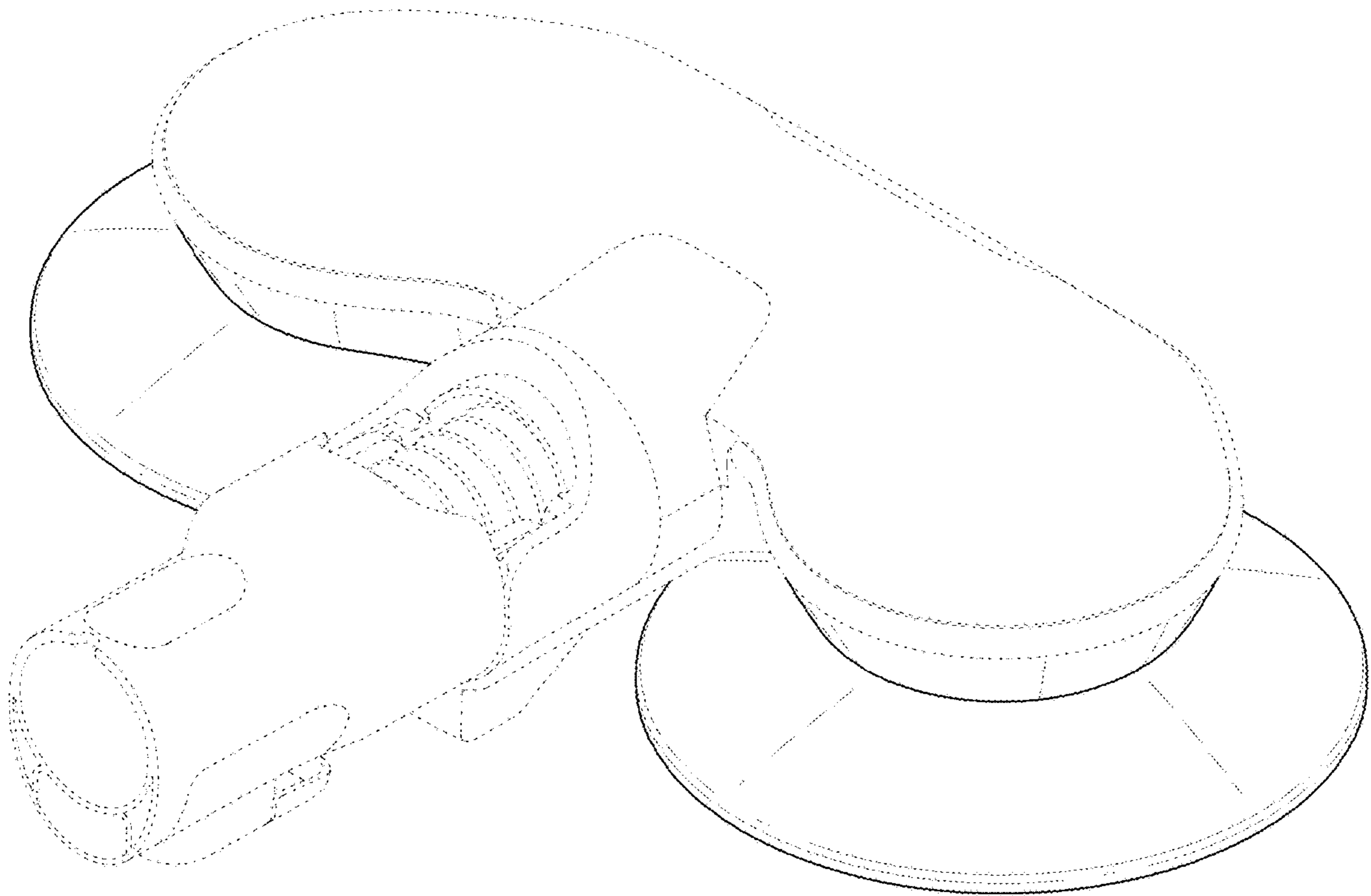


FIG. 9

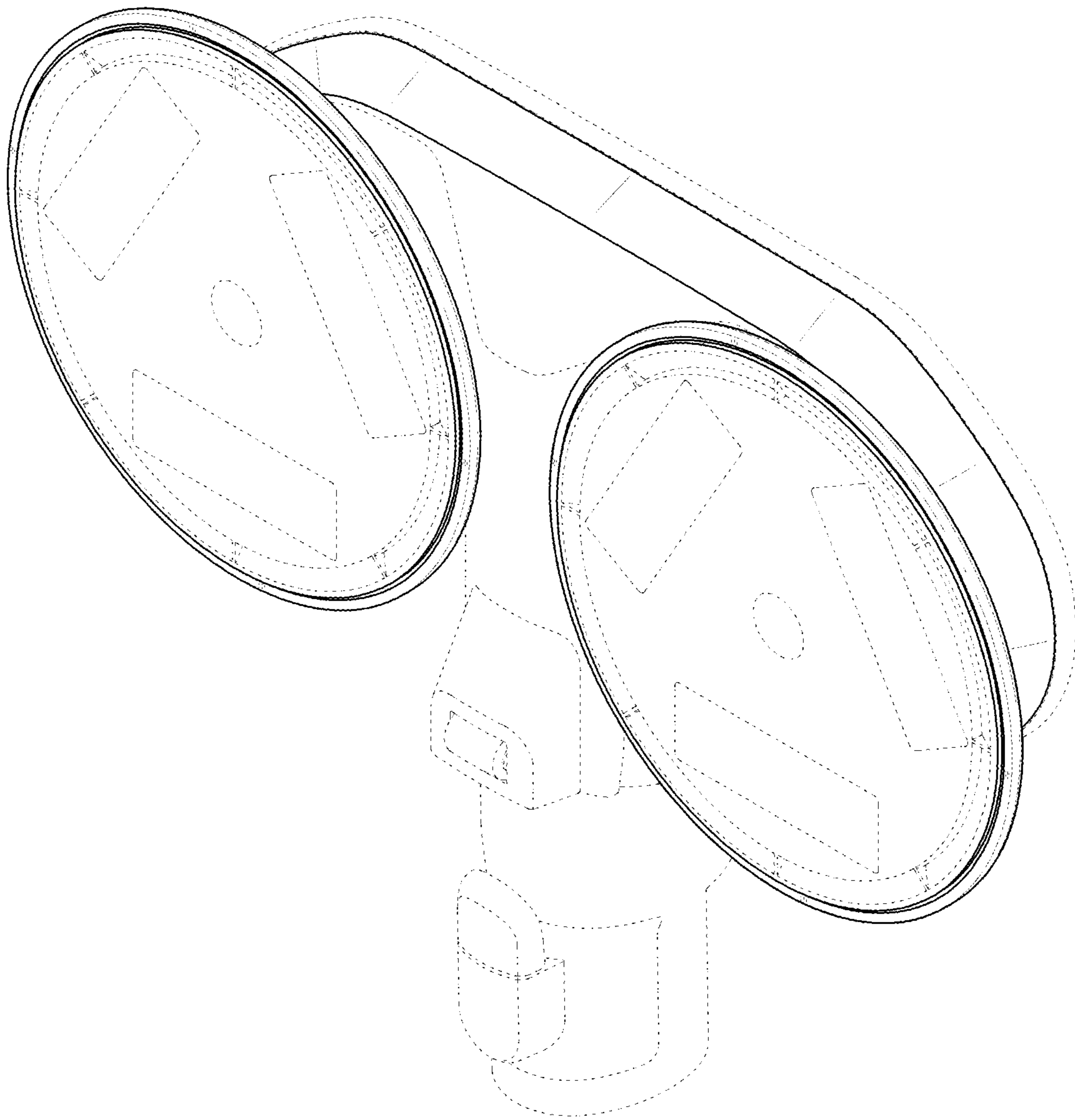


FIG. 10

