



US00D882896S

(12) **United States Design Patent**
Thompson

(10) **Patent No.:** **US D882,896 S**

(45) **Date of Patent:** **** *Apr. 28, 2020**

- (54) **BROOM**
- (71) Applicant: **BLACK & DECKER INC.**, New Britain, CT (US)
- (72) Inventor: **Samuel Peter Thompson**, Newcastle Upon Tyne (GB)
- (73) Assignee: **BLACK & DECKER INC.**, New Britain, CT (US)
- (*) Notice: This patent is subject to a terminal disclaimer.
- (**) Term: **15 Years**
- (21) Appl. No.: **29/625,898**
- (22) Filed: **Nov. 14, 2017**
- (51) **LOC (12) Cl.** **07-05**
- (52) **U.S. Cl.**
USPC **D32/50**
- (58) **Field of Classification Search**
USPC D32/40-43, 45-46, 50-52; D4/118;
D24/217, 231; D8/11, 9; D20/17, 22,
D20/28, 41, 99
CPC . B08B 1/00; A61B 90/70; A47L 13/17; A47L
13/16
See application file for complete search history.

- 2,249,559 A * 7/1941 Hilty A47L 13/44
15/247
- 2,407,457 A * 9/1946 Sokoloff A46B 3/00
15/176.6
- 2,446,814 A * 8/1948 Crofton A46B 17/00
15/247

(Continued)

FOREIGN PATENT DOCUMENTS

- CN 303086485 * 1/2015
- CN 304202138 * 7/2017

(Continued)

OTHER PUBLICATIONS

Amazon.com: Black & Decker 261019 Angle Broom, reviews 2016, site visited Feb. 9, 2019, https://www.amazon.com/...569406300397033&hvpone=&hytwo=&hvqmt=&hvdev=c&hvdvcm1=&hvlocint=&hvlocphy=9008192&hvtargid=pla-309173850601&pssc=1#customerReviews.*

(Continued)

Primary Examiner — Eric L Goodman
Assistant Examiner — John R Yeh
(74) *Attorney, Agent, or Firm* — Adan Ayala

(57) **CLAIM**

The ornamental design for a broom, as shown and described.

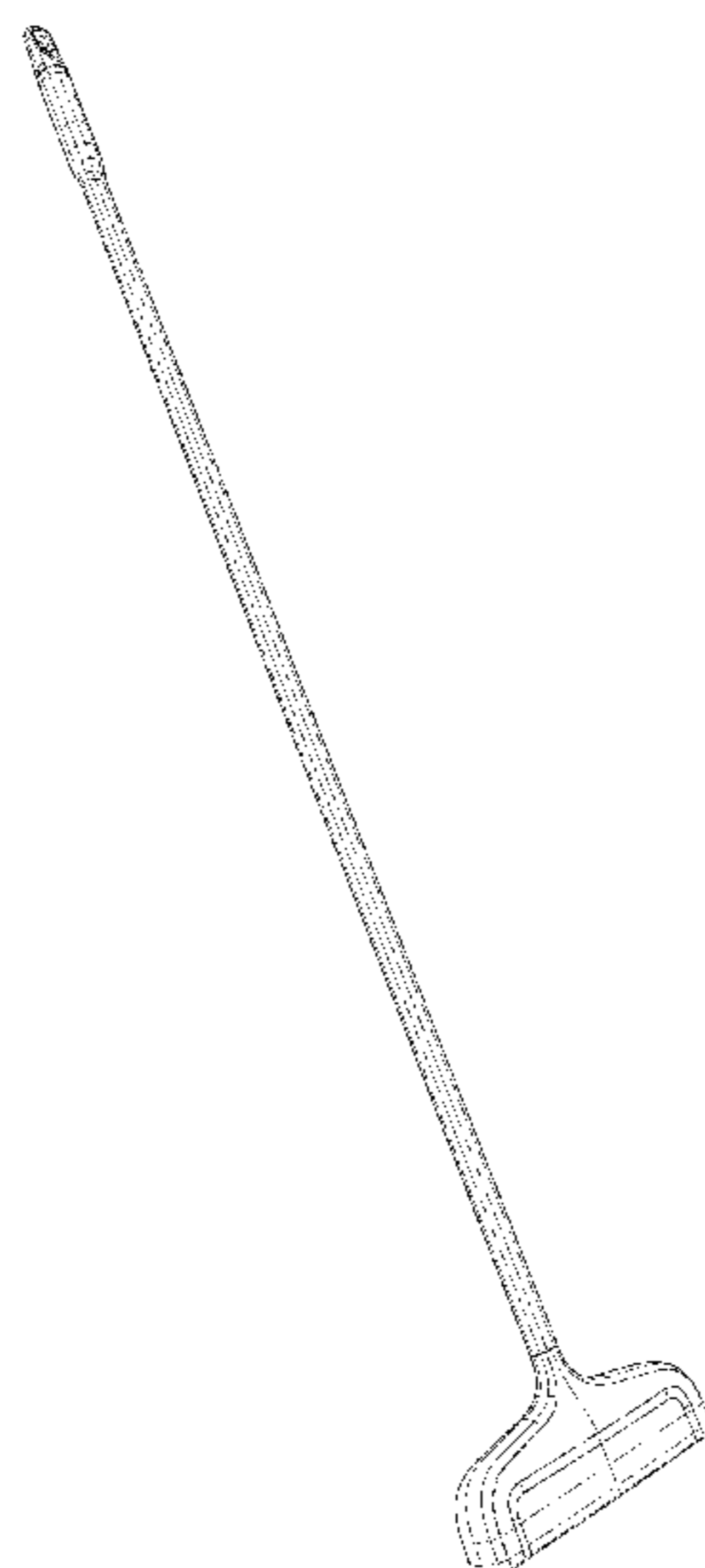
DESCRIPTION

FIG. 1 is a front perspective view of a broom according to the invention.
FIG. 2 is a front view of the broom of FIG. 1.
FIG. 3 is a rear view of the broom of FIG. 1.
FIG. 4 is a left side view of the broom of FIG. 1.
FIG. 5 is a right side view of the broom of FIG. 1.
FIG. 6 is a top plan view of the broom of FIG. 1; and,
FIG. 7 is a bottom plan view of the broom of FIG. 1.
The broken lines in the figures represent portions of the broom that form no part of the claimed design.

1 Claim, 7 Drawing Sheets

(56) **References Cited**
U.S. PATENT DOCUMENTS

- 1,185,732 A * 6/1916 Swayne B25G 1/04
15/144.4
- 1,327,597 A * 1/1920 Greene B25G 1/04
15/144.4
- 1,449,901 A * 3/1923 Knapp B25G 3/12
15/177
- 1,651,915 A * 12/1927 Bonanno A46B 9/08
15/168
- 1,666,369 A * 4/1928 Dehling A46B 11/0013
401/281



(56)

References Cited

U.S. PATENT DOCUMENTS

2,709,824 A * 6/1955 Hall A47L 13/44
 15/227
 2,723,762 A * 11/1955 Leiser A47B 81/02
 211/65
 4,152,805 A * 5/1979 Saldarriaga A46B 17/04
 15/168
 4,531,251 A * 7/1985 Pappas A47L 13/24
 15/171
 D317,068 S * 5/1991 Bosworth D32/51
 D363,821 S * 11/1995 Burgess D4/121
 D386,908 S * 12/1997 Berti D32/50
 D388,934 S * 1/1998 Ames, Jr. D32/51
 D509,963 S * 9/2005 Hay D4/135
 D595,509 S * 7/2009 Sekercioglu D32/74
 D658,895 S * 5/2012 Pottes D4/199
 D699,412 S * 2/2014 Smith D32/50
 9,247,804 B2 * 2/2016 Butler A46B 7/042
 10,016,054 B1 * 7/2018 Parasher A47L 13/51
 D832,541 S * 10/2018 Schlegel D32/40
 D835,871 S * 12/2018 Breit D32/50

FOREIGN PATENT DOCUMENTS

EM 000652581-0001 * 2/2007
 JP D1213357 * 6/2004
 JP D1269759 * 3/2006

OTHER PUBLICATIONS

Brooms | Black+Decker Hand Corn Brooms & Angle Brooms,
 website 2019, <https://www.blackanddecker.com/products/home-cleaning/non-powered-cleaning/broons-cleaning/paranns/1/12/newest/-/-/-/-/-/->, site visited Feb. 9, 2019.*

* cited by examiner

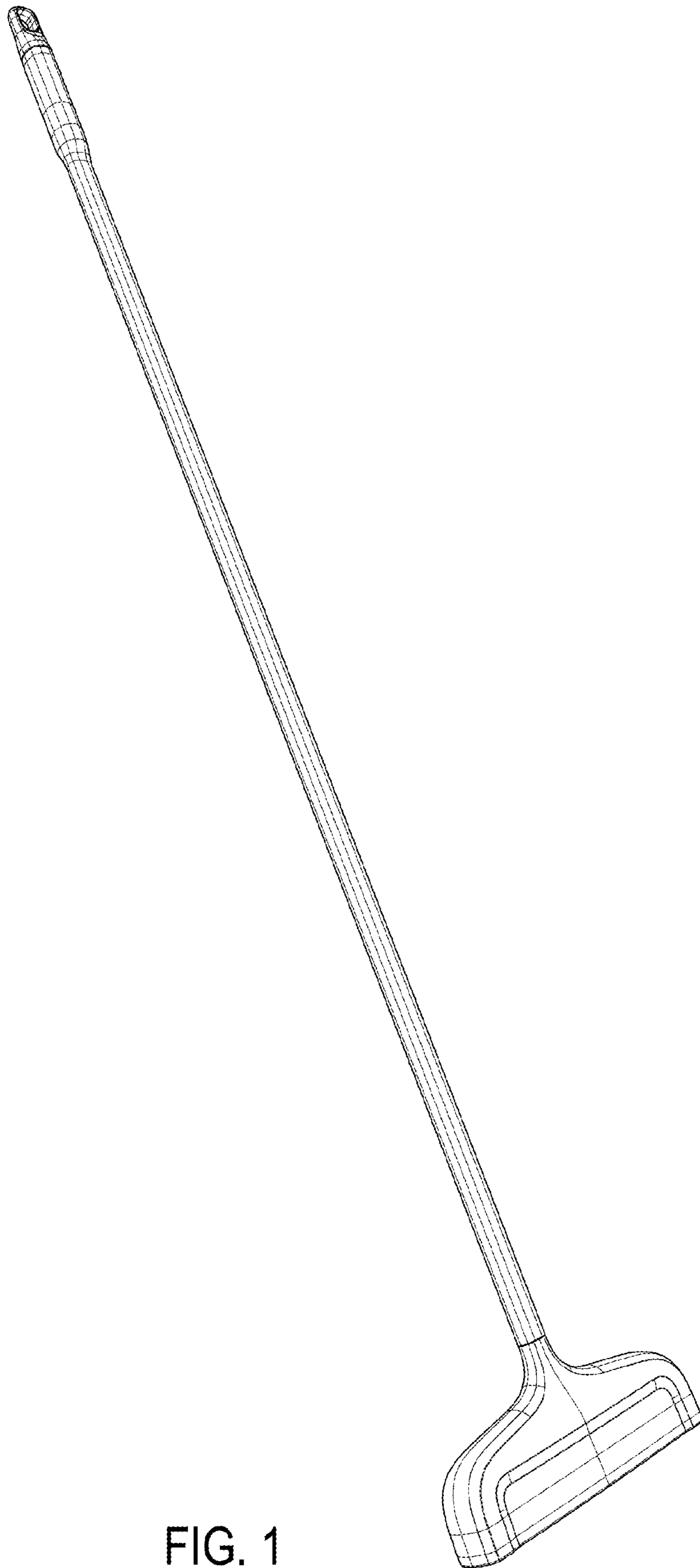


FIG. 1

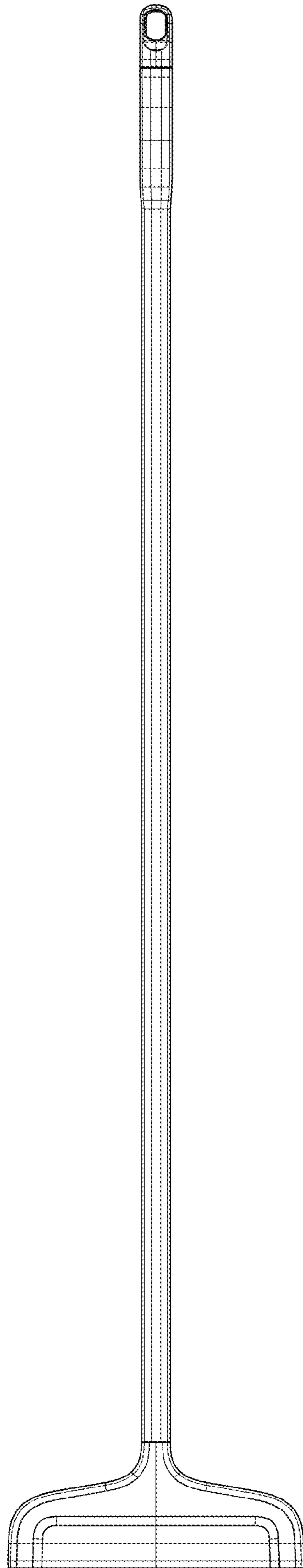


FIG. 2

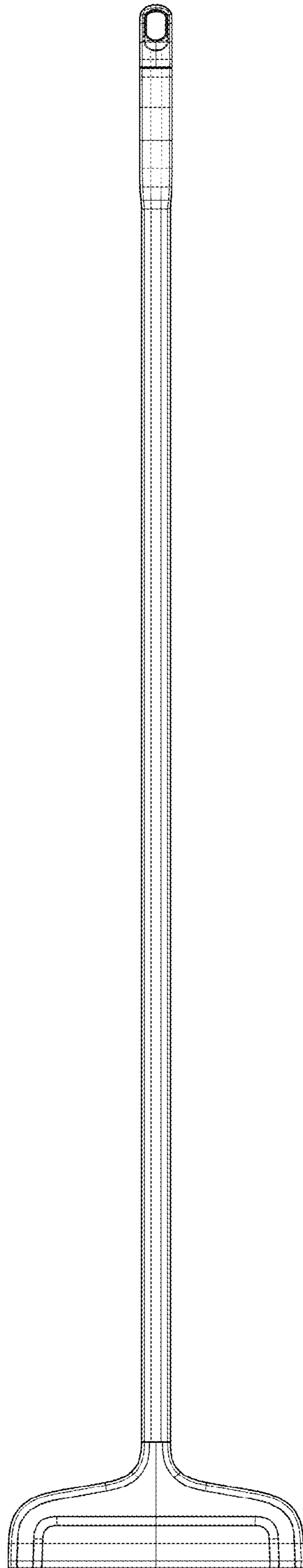


FIG. 3

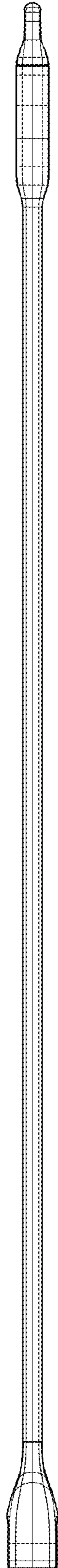


FIG. 4

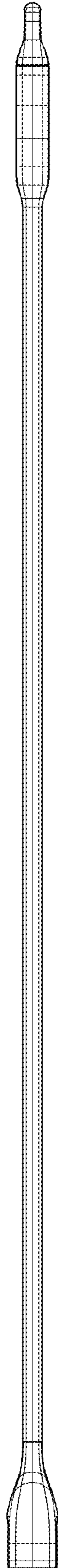


FIG. 5

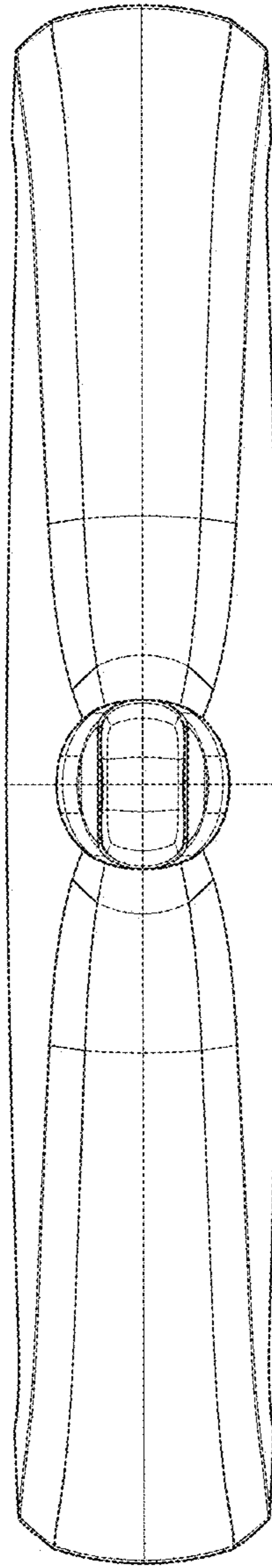


FIG. 6

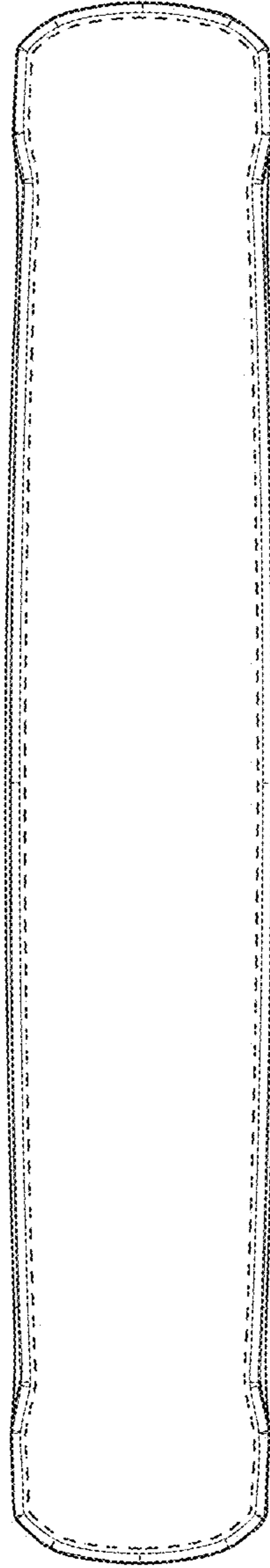


FIG. 7