



US00D882894S

(12) **United States Design Patent**  
**Lee et al.**

(10) **Patent No.:** **US D882,894 S**  
(45) **Date of Patent:** **\*\* Apr. 28, 2020**

(54) **BRUSH FOR CLEANER**

FOREIGN PATENT DOCUMENTS

(71) Applicant: **Samsung Electronics Co., Ltd.**,  
Suwon-si (KR)

CN	304606806	5/2018
KR	300273837	4/2001
KR	300508875	10/2008
KR	300925172	9/2017
KR	300951411	4/2018

(72) Inventors: **Hwandong Lee**, Seoul (KR);  
**Hyungsub Choi**, Goyang-si (KR)

(73) Assignee: **SAMSUNG ELECTRONICS CO., LTD.**, Gyeonggi-do (KR)

OTHER PUBLICATIONS

(\*\*) Term: **15 Years**

Internet Newspaper, Posted Apr. 3, 2018, pp. 1-3, Retrieved from the Internet Sep. 10, 2018 <URL:http://www.ekn.kr/news/article\_print.html?no=353392>.

(21) Appl. No.: **29/675,169**

\* cited by examiner

(22) Filed: **Dec. 28, 2018**

*Primary Examiner* — Ruth McNroy

(30) **Foreign Application Priority Data**

(74) *Attorney, Agent, or Firm* — Cantor Colburn LLP

Aug. 29, 2018 (KR) ..... 30-2018-0040343

(51) **LOC (12) Cl.** ..... **15-05**

(52) **U.S. Cl.**  
USPC ..... **D32/33**

(58) **Field of Classification Search**  
USPC ..... D32/17, 31-34, 19-20, 22, 25, 40, 50  
CPC . A47L 9/02; A47L 9/04; A47L 9/0461; A47L  
5/26; A47L 5/28; A47L 11/4044  
See application file for complete search history.

(57) **CLAIM**

The ornamental design for a brush for cleaner, as shown and described.

**DESCRIPTION**

(56) **References Cited**

U.S. PATENT DOCUMENTS

D649,725 S *	11/2011	Fjellman	.....	D32/32
D686,379 S *	7/2013	Kim	.....	D32/32
D762,031 S *	7/2016	Niedzwecki	.....	D32/32
D770,711 S *	11/2016	Okada	.....	D32/32
D775,443 S *	12/2016	Kwon	.....	D32/33
D779,752 S *	2/2017	Johnson	.....	D32/32
D796,136 S *	8/2017	Reynolds	.....	D32/33
D828,968 S *	9/2018	Tokoi	.....	D32/32
D846,821 S *	4/2019	Palladino	.....	D32/32

FIG. 1 is a front perspective view of a brush for cleaner, showing our new design;  
FIG. 2 is a front view thereof;  
FIG. 3 is a rear view thereof;  
FIG. 4 is a left-side view thereof;  
FIG. 5 is a right-side view thereof;  
FIG. 6 is a top view thereof;  
FIG. 7 is a bottom view thereof;  
FIG. 8 is an enlarged view of the portion, '8' in FIG. 1; and,  
FIG. 9 is an enlarged view of the portion, '9' in FIG. 1.

The dot-dot-dash broken lines encircling enlargement portions of the design form no part of the claimed design. The dot-dash broken lines in the figures represent a boundary of the claimed design and form no part of the claimed design. The broken lines illustrating portions of the brush for cleaner form no part of the claimed design.

**1 Claim, 7 Drawing Sheets**

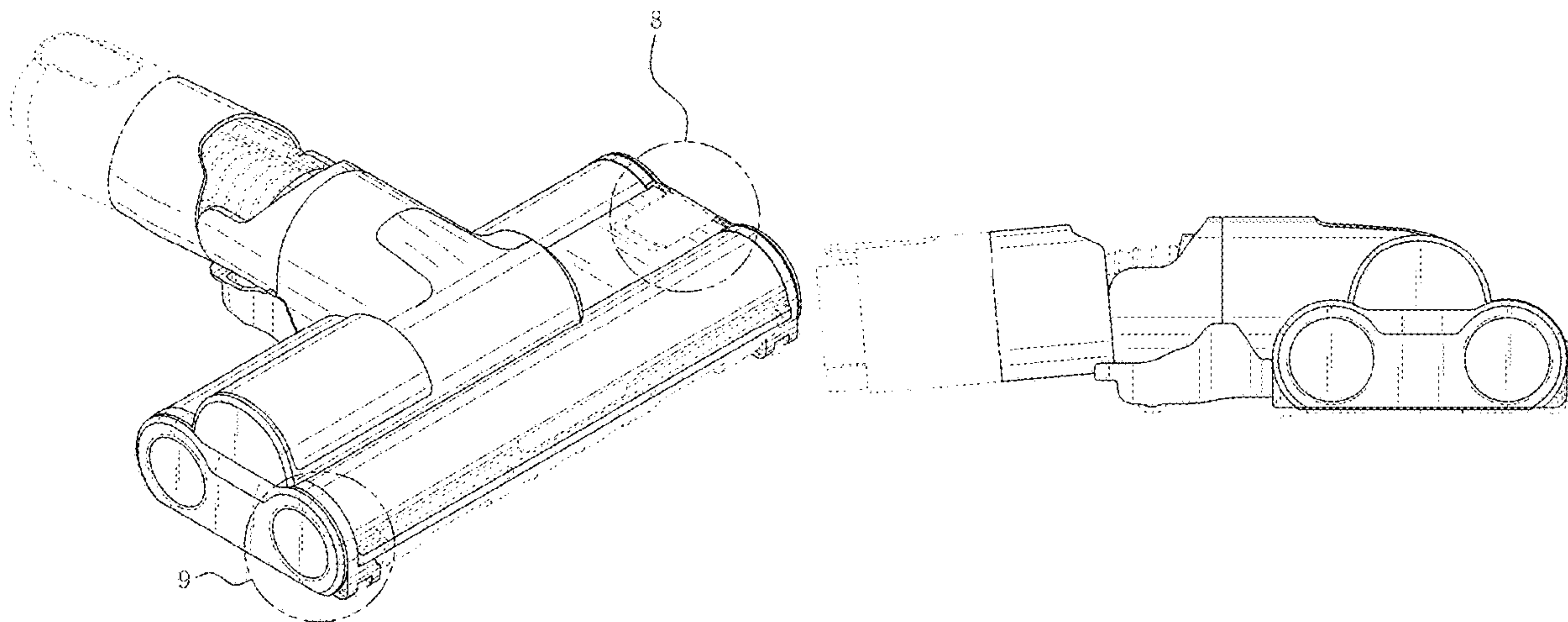


FIG. 1

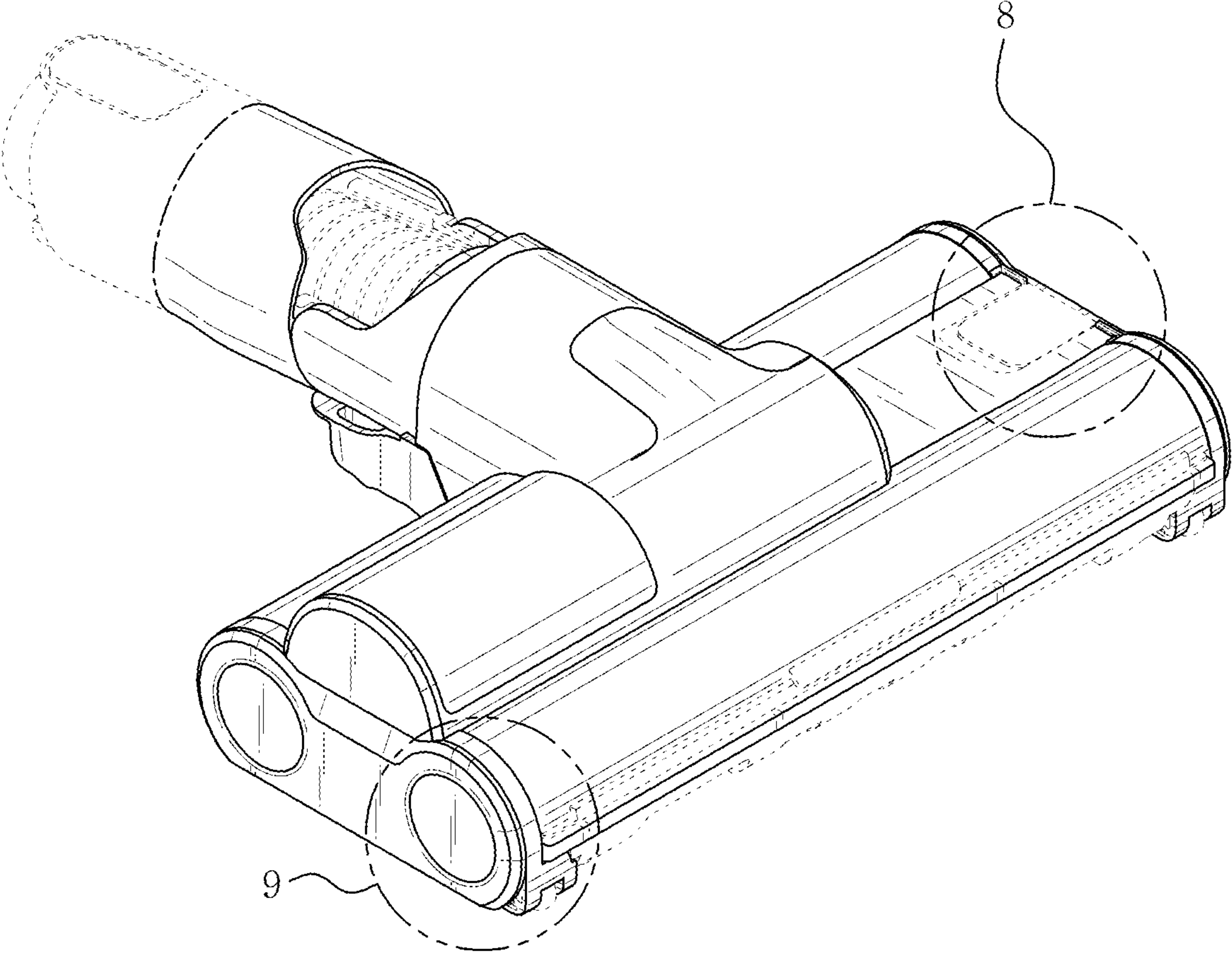


FIG. 2

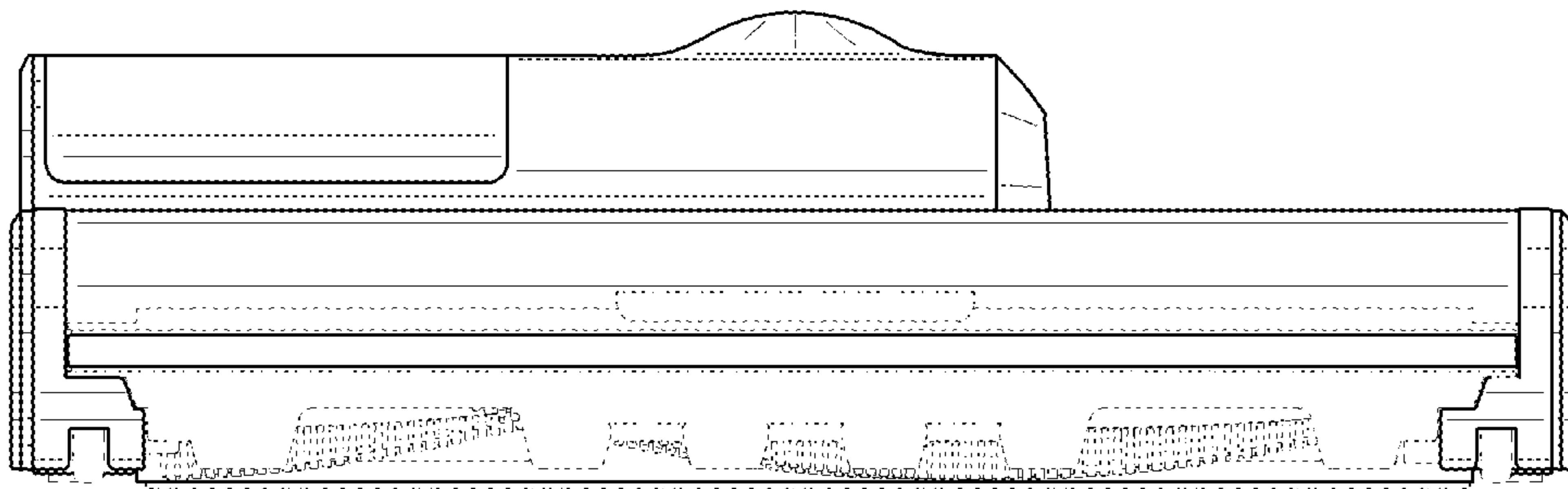


FIG. 3

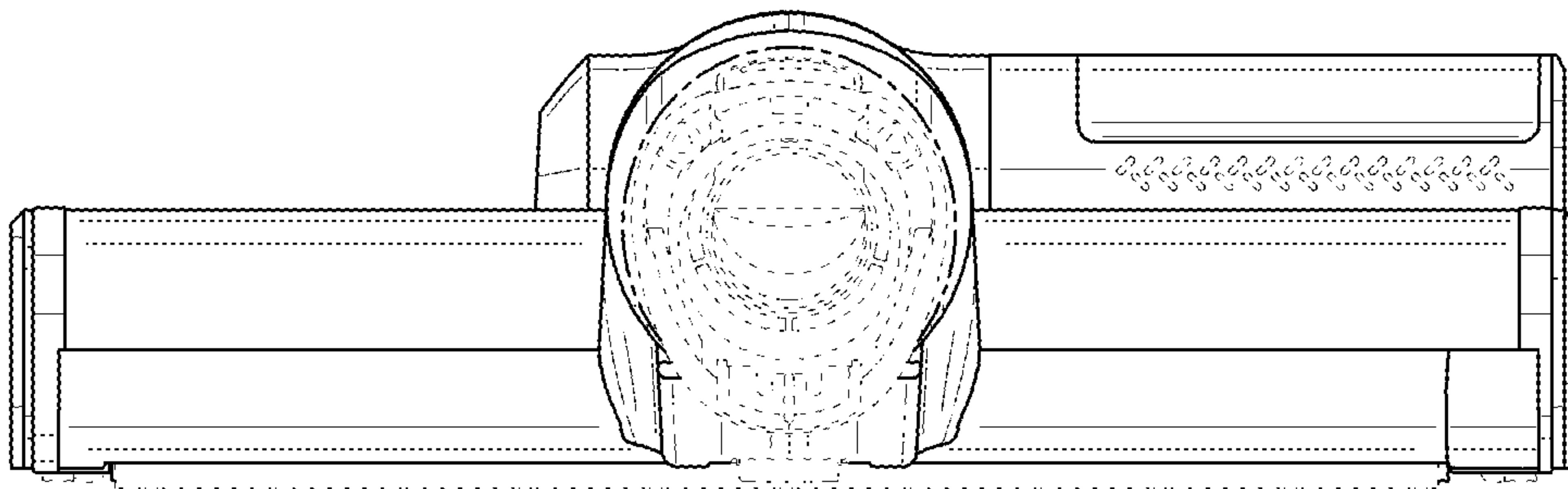


FIG. 4

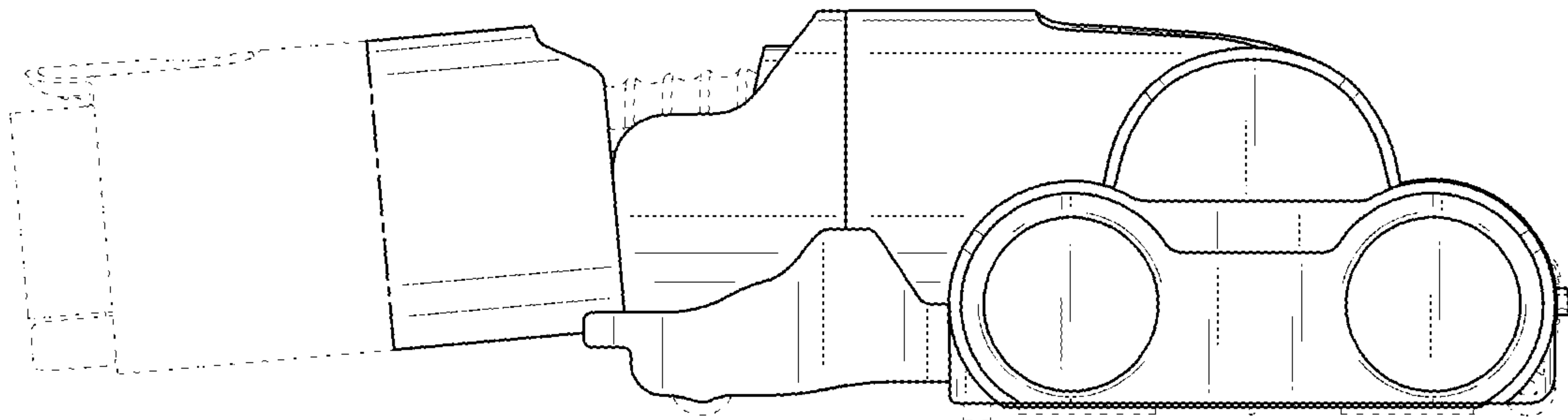


FIG. 5

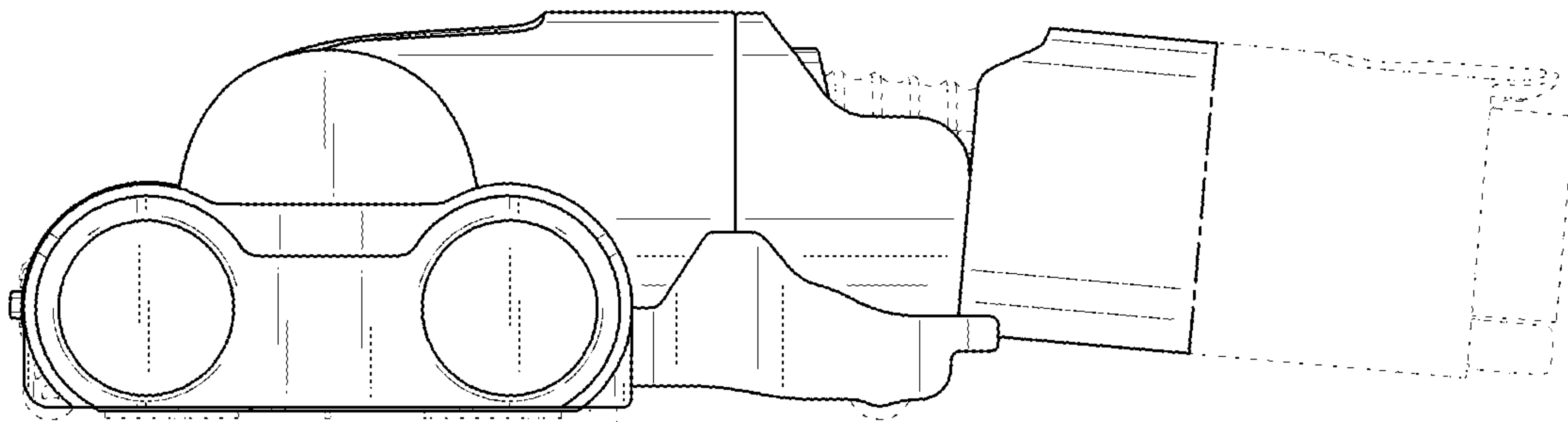


FIG. 6

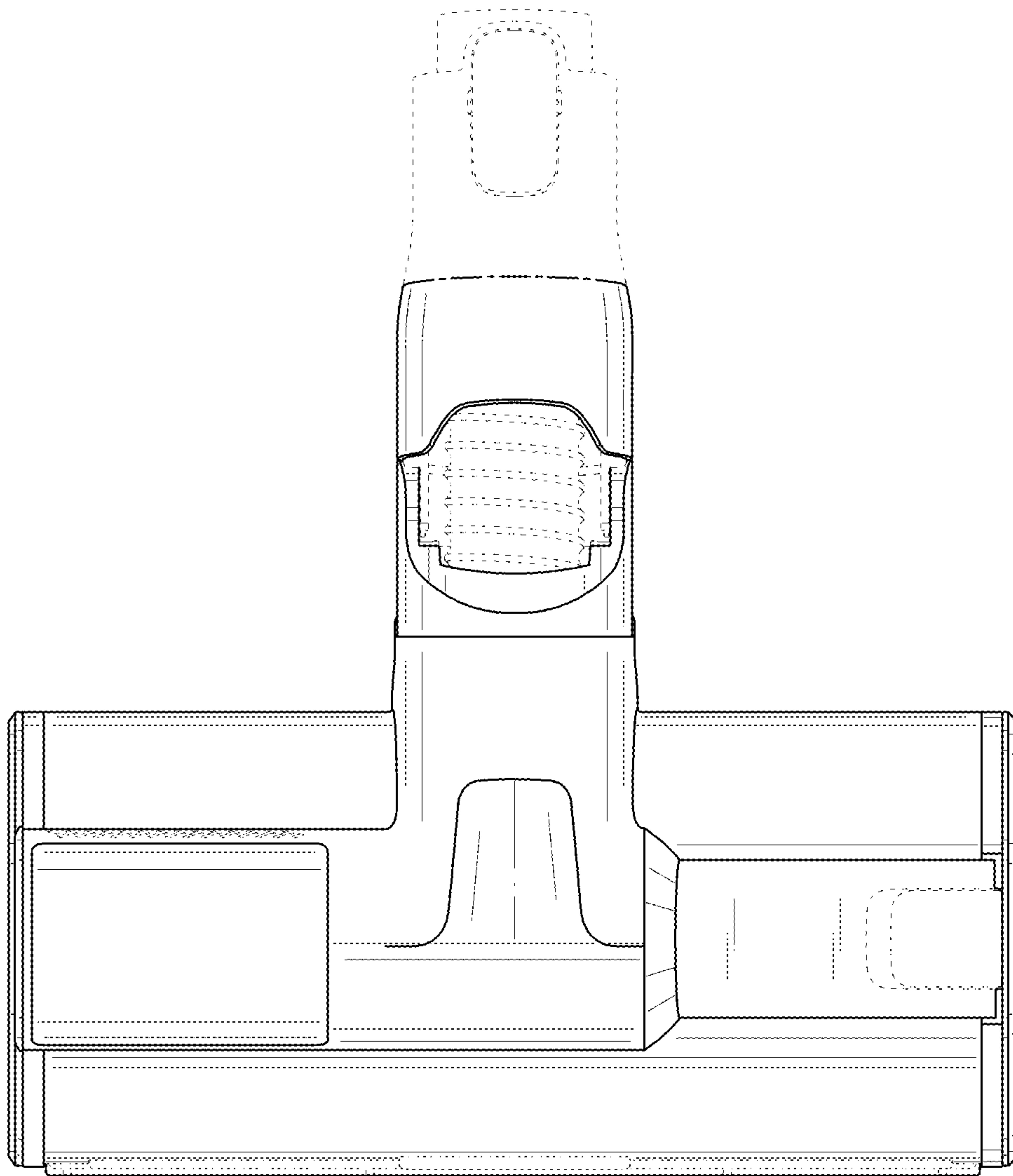




FIG. 7

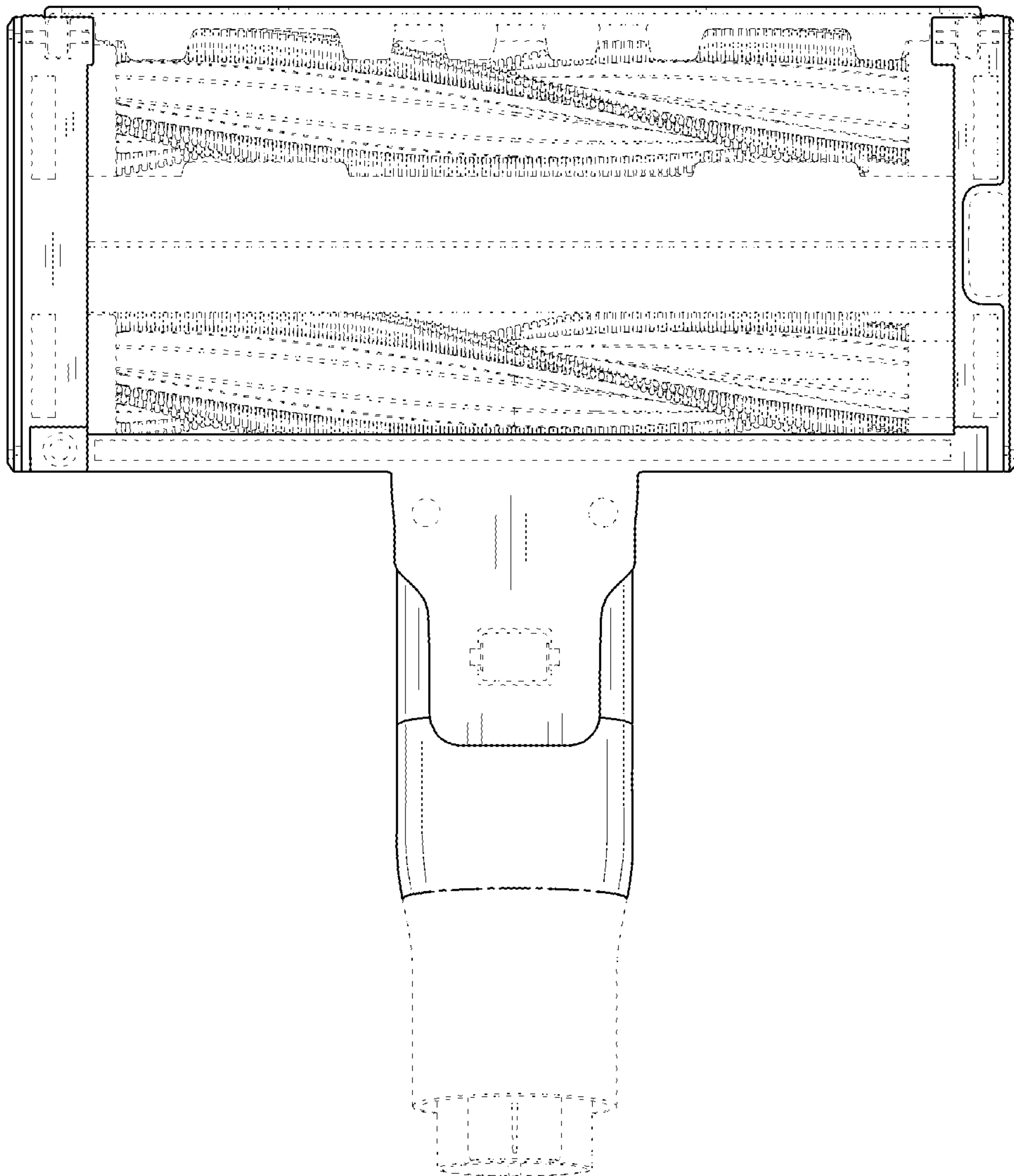


FIG. 8

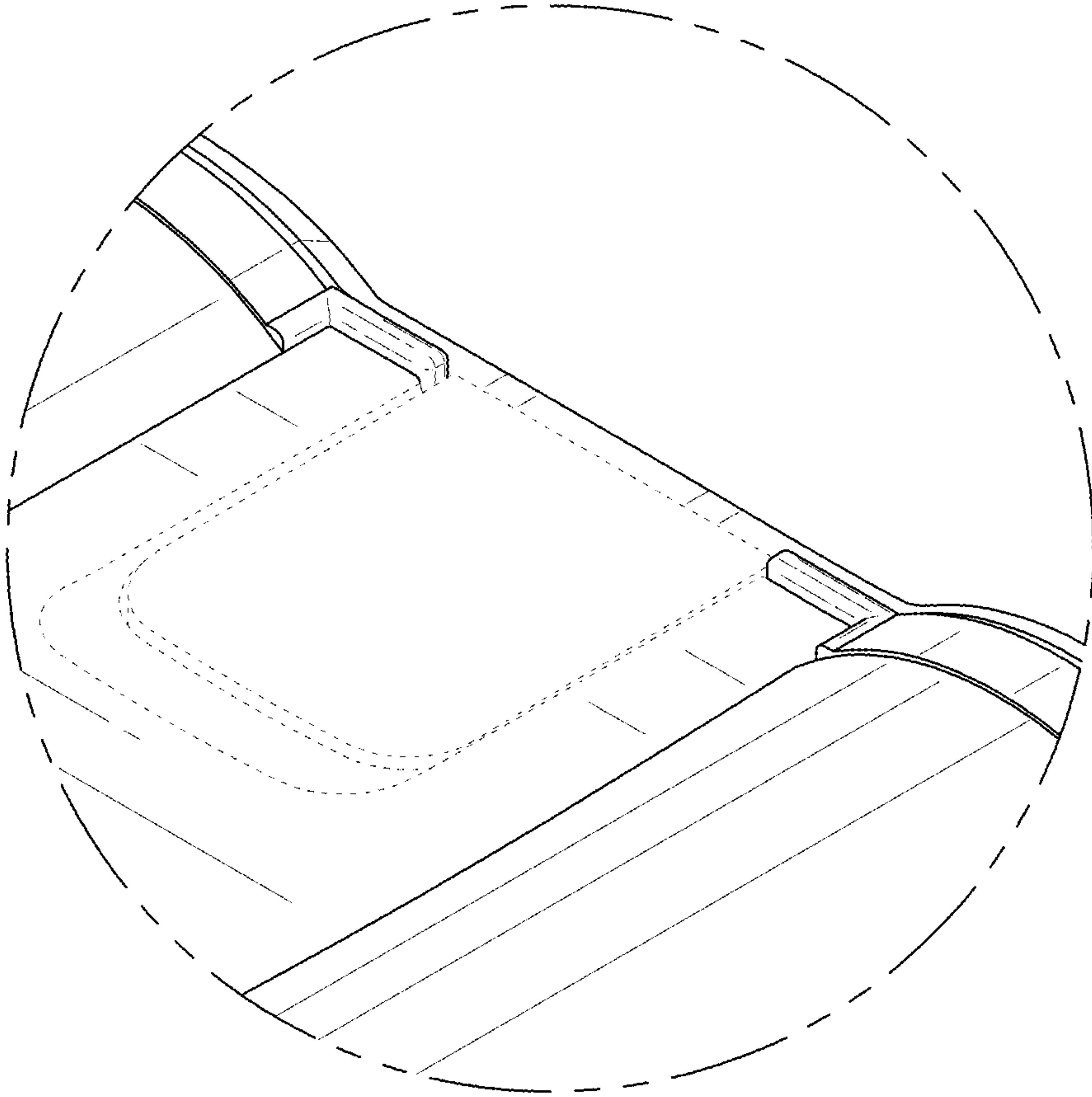


FIG. 9

