



US00D882893S

(12) **United States Design Patent** (10) **Patent No.:** **US D882,893 S**  
**Hooley et al.** (45) **Date of Patent:** **\*\* Apr. 28, 2020**

(54) **FLOOR CLEANER**

FOREIGN PATENT DOCUMENTS

(71) Applicant: **TTi (Macao Commercial Offshore) Limited**, Macau (CN)  
(72) Inventors: **Bradley Hooley**, Charlotte, NC (US); **Joseph Sexton**, Charlotte, NC (US); **Somnanritha Chan**, Charlotte, NC (US); **Benjamin Shrader**, Newton, NC (US); **Robert McRorie**, Huntersville, NC (US); **Katherine M. Morgan**, Columbus, OH (US); **Michael D. Young**, Westerville, OH (US)

AU	337366	6/2011
AU	365231	11/2015
CN	301785832 S	1/2012
CN	301997305 S	7/2012
CN	302190713 S	11/2012
CN	302830211 S	5/2014
CN	303217788 S	5/2015
CN	303309250 S	7/2015
CN	303618016 S	3/2016
CN	304030968 S	2/2017
EM	001795840-0001	12/2010
EM	002179275-0001	2/2013
GB	2032222	1/1993
WO	DM026639	7/1993
WO	DM08624	10/2014
WO	DM084625	10/2014
WO	DM086270	4/2015

(73) Assignee: **TTI (Macao Commercial Offshore) Limited**, Praia Grande (MO)

(\*\*) Term: **15 Years**

*Primary Examiner* — Ruth McInroy

(21) Appl. No.: **29/659,244**

(74) *Attorney, Agent, or Firm* — Michael Best & Friedrich LLP

(22) Filed: **Aug. 7, 2018**

(30) **Foreign Application Priority Data**

Feb. 9, 2018 (CN) ..... 2018 3 0064277  
May 16, 2018 (CN) ..... 2018 3 0224827

(51) **LOC (12) Cl.** ..... **15-05**

(52) **U.S. Cl.**  
USPC ..... **D32/31**

(58) **Field of Classification Search**  
USPC ..... D32/22, 31, 17  
CPC ..... A47L 11/20; A47L 11/34; A47L 11/40;  
A47L 11/4016; A47L 11/4086; A47L  
5/28; A47L 5/24; A47L 7/02; A47L  
13/225; A47L 13/22  
See application file for complete search history.

(56) **References Cited**

U.S. PATENT DOCUMENTS

D631,625 S 1/2011 Wada et al.  
D677,844 S 3/2013 Nicora et al.  
D789,004 S 6/2017 Boehler et al.

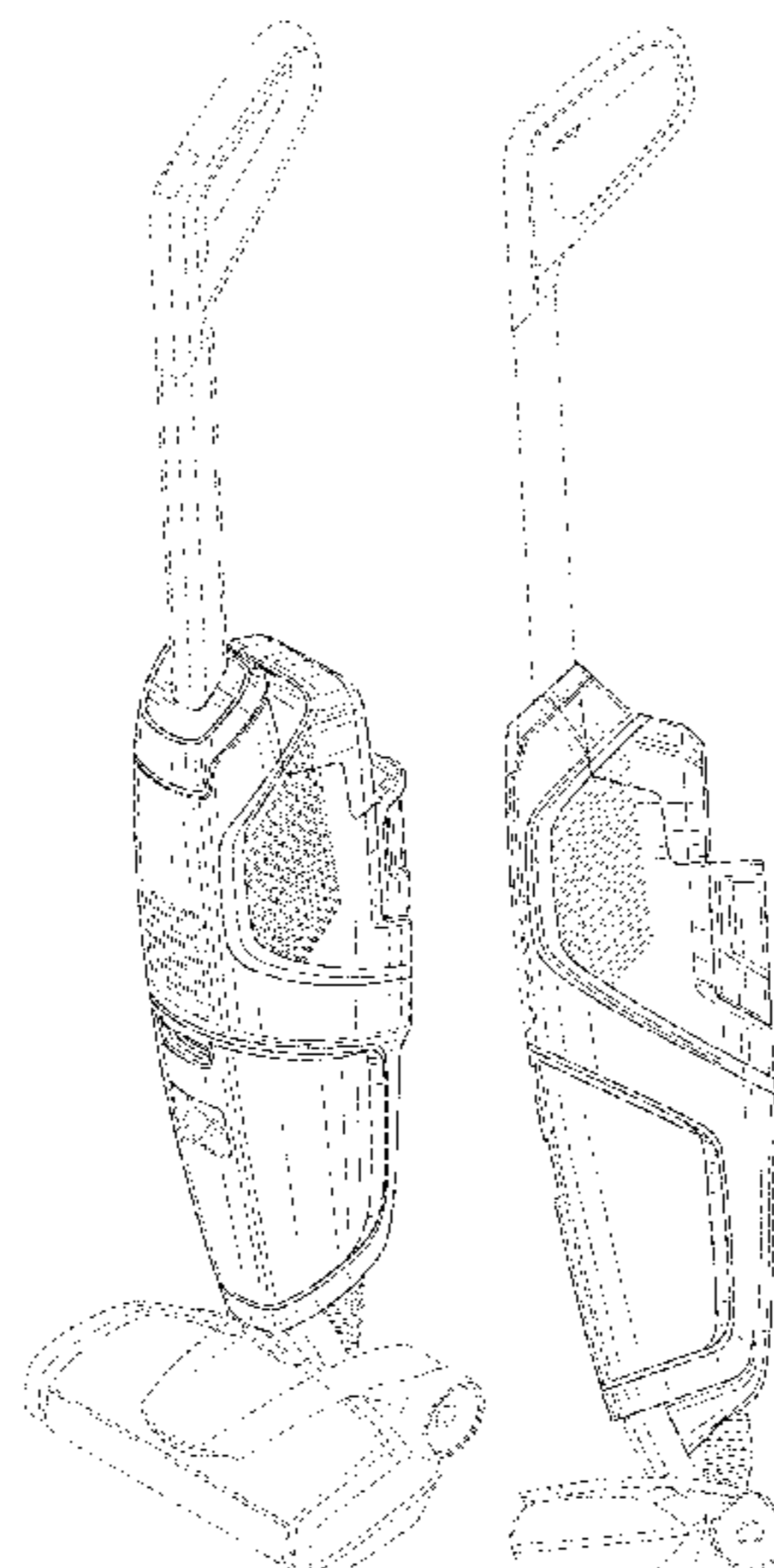
(57) **CLAIM**

We claim the ornamental design for a floor cleaner, as shown and described.

**DESCRIPTION**

FIG. 1 is a perspective view of a floor cleaner showing our new design;  
FIG. 2 is a front view thereof;  
FIG. 3 is a rear view thereof;  
FIG. 4 is a right side view thereof;  
FIG. 5 is a left side view thereof;  
FIG. 6 is a top view thereof; and,  
FIG. 7 is a bottom view thereof.  
The details shown in broken lines form no part of the claimed design.

**1 Claim, 6 Drawing Sheets**



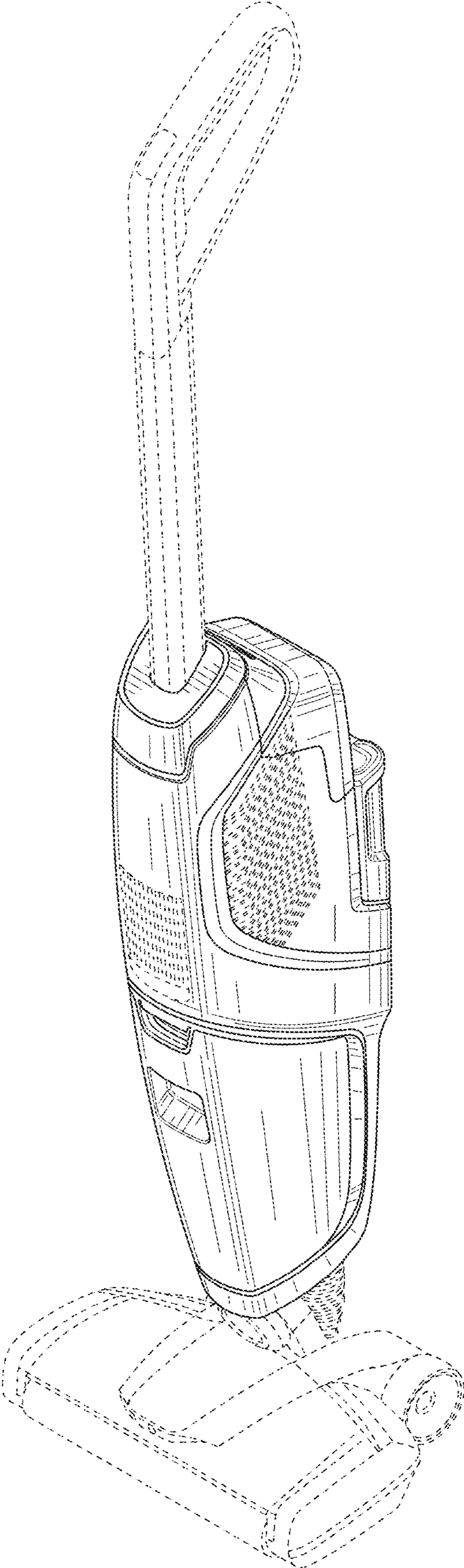


Fig. 1

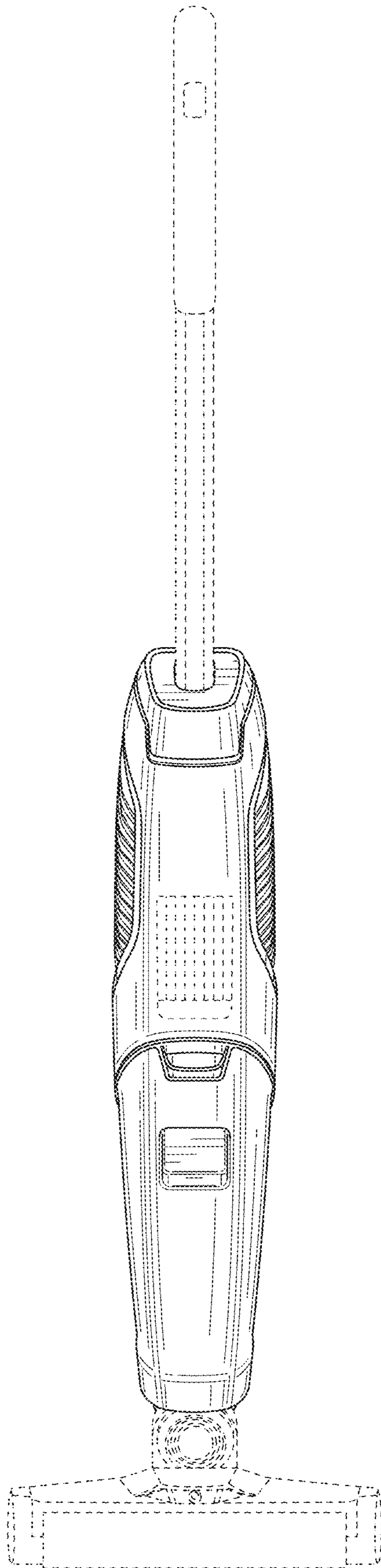


Fig. 2

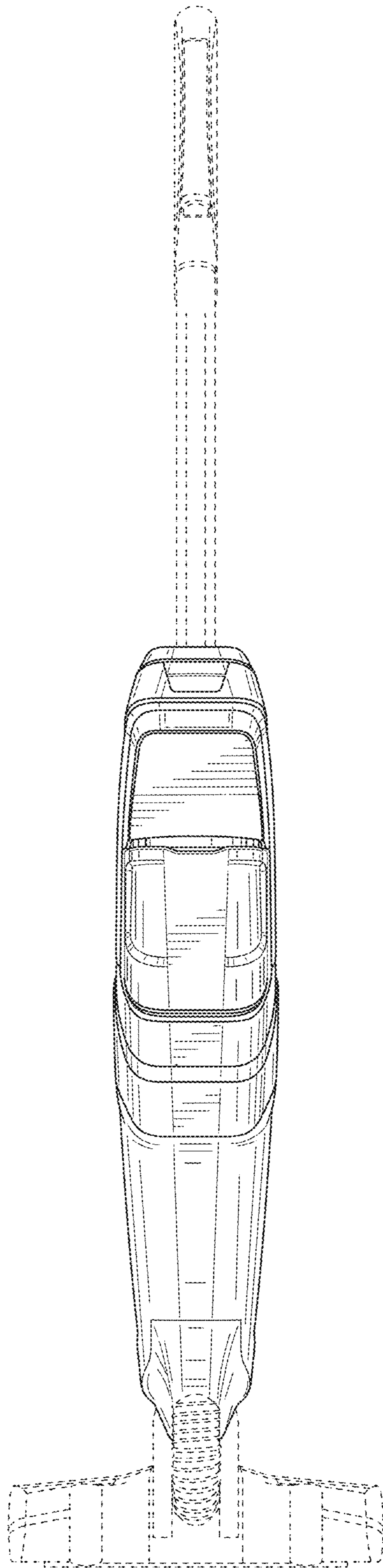


Fig. 3



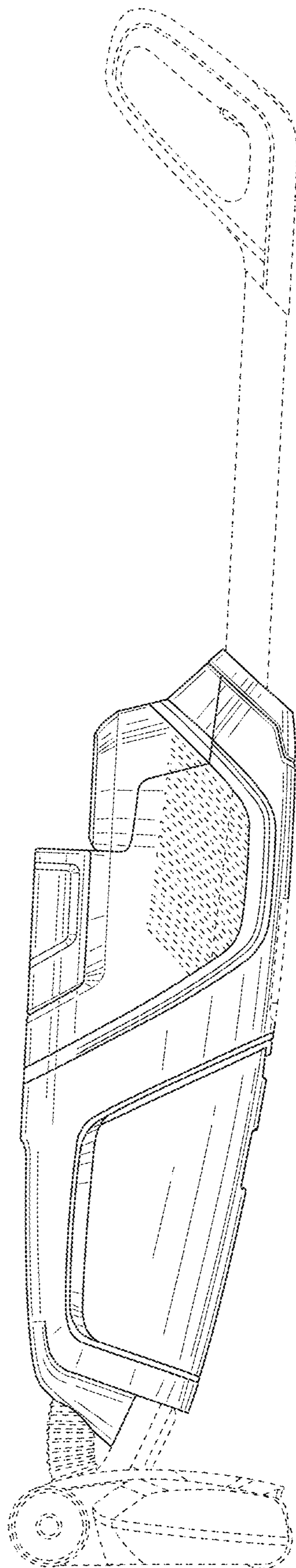


Fig. 4

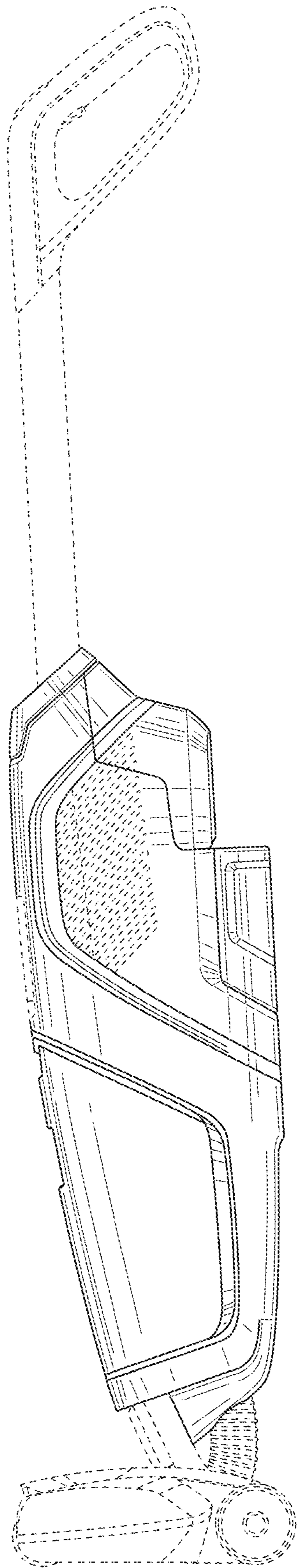


Fig. 5

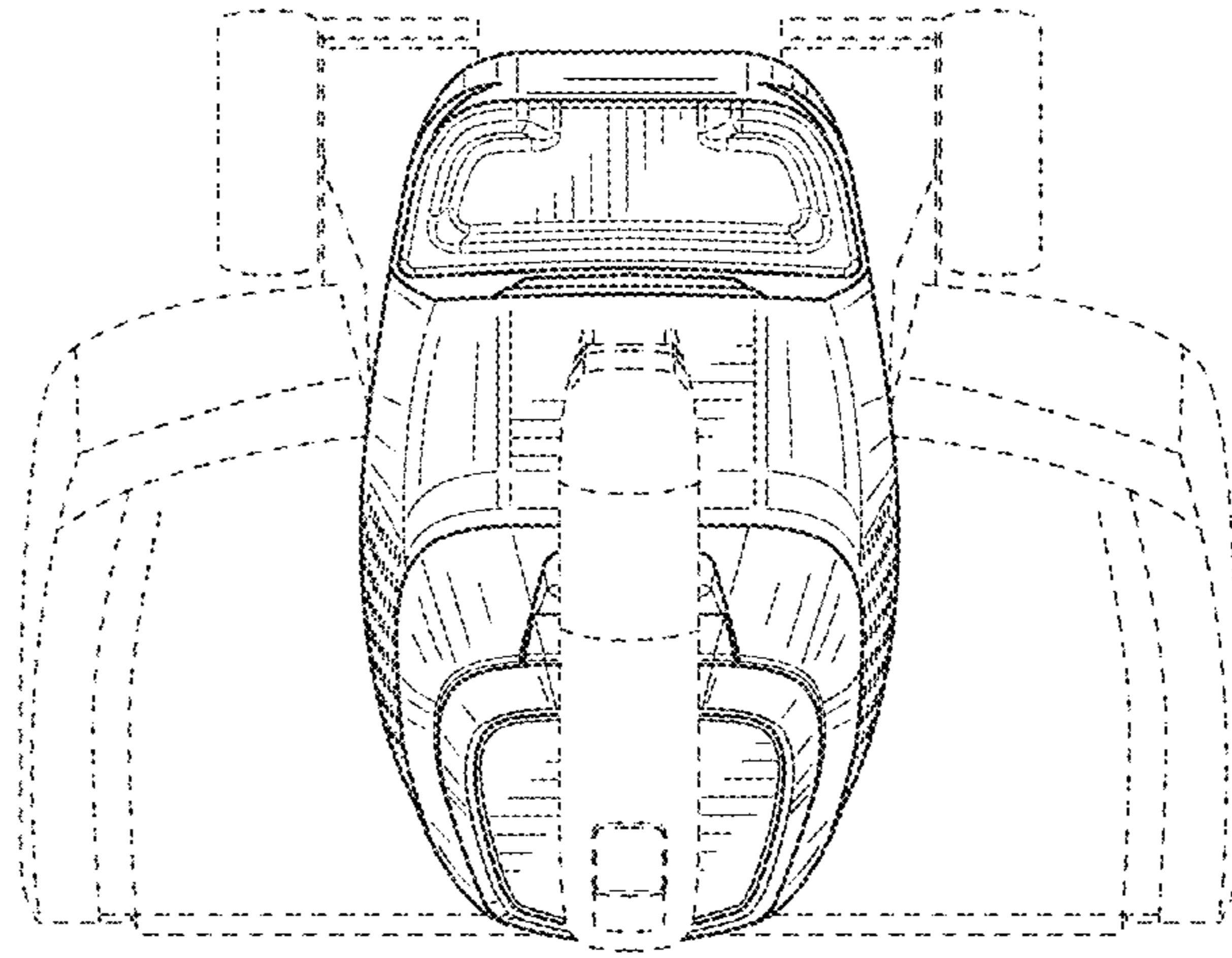


Fig. 6

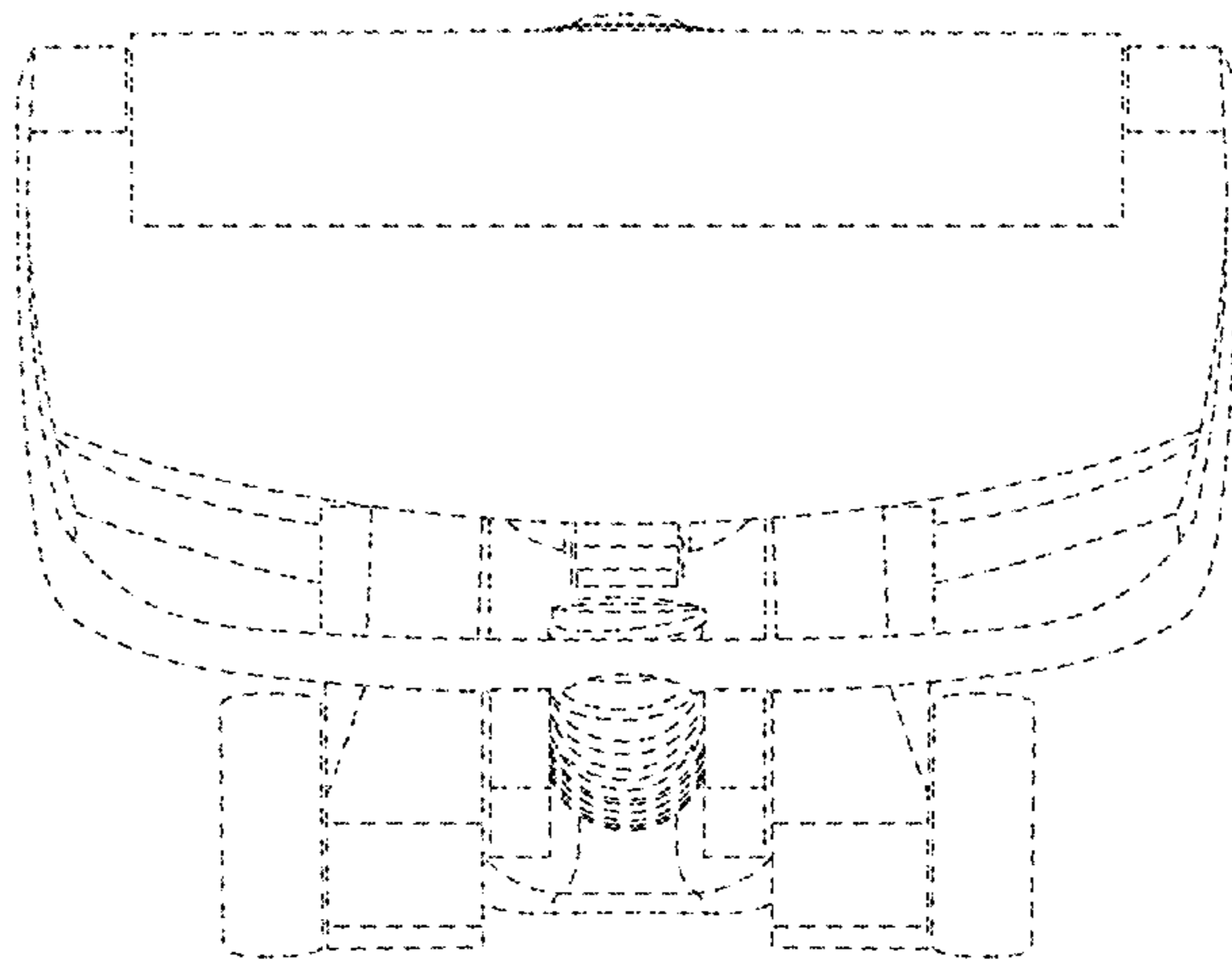


Fig. 7