



US00D882892S

(12) **United States Design Patent**  
**Wall et al.**

(10) **Patent No.:** **US D882,892 S**  
(45) **Date of Patent:** **\*\* Apr. 28, 2020**

- (54) **WET/DRY VACUUM CLEANER**
- (71) Applicant: **Emerson Electric Co.**, St. Louis, MO (US)
- (72) Inventors: **Alex J. Wall**, St. Louis, MO (US);  
**Douglas C. Schultz**, Glen Carbon, IL (US); **Phuong Le**, St. Charles, MO (US)
- (73) Assignee: **Emerson Electric Co.**, St. Louis, MO (US)
- (\*\*) Term: **15 Years**

D492,823 S *	7/2004	Hoshino .....	D32/23
D492,824 S *	7/2004	Tomasiak .....	D32/23
D494,327 S *	8/2004	Song .....	D32/21
D519,251 S *	4/2006	Hoshino .....	D32/23
D520,689 S	5/2006	Eccardt et al.	
D528,256 S	9/2006	Beth et al.	
D528,718 S	9/2006	Tomasiak et al.	
D537,992 S	3/2007	Hoshino	
D541,818 S	5/2007	Rhea et al.	
D549,903 S	8/2007	Eccardt et al.	
D551,681 S	9/2007	Rhea et al.	
D558,410 S	12/2007	Hill et al.	
D565,269 S	3/2008	Tomasiak et al.	
D577,164 S	9/2008	Williams et al.	
D580,115 S	11/2008	Theising et al.	
D595,910 S	7/2009	Hollis et al.	

(Continued)

- (21) Appl. No.: **29/645,960**
- (22) Filed: **Apr. 30, 2018**
- (51) **LOC (12) Cl.** ..... **15-05**
- (52) **U.S. Cl.**  
USPC ..... **D32/31**
- (58) **Field of Classification Search**  
USPC ..... D32/21-23, 31, 34  
CPC . A47L 5/362; A47L 5/365; A47L 5/28; A47L 5/32; A47L 5/36; A47L 7/0004; A47L 7/0038; A47L 11/29; A47L 11/30  
See application file for complete search history.

**FOREIGN PATENT DOCUMENTS**

CA	ID87833 S	10/1999
CA	ID89522 S	5/2000

(Continued)

*Primary Examiner* — Ruth McInroy

(74) *Attorney, Agent, or Firm* — Armstrong Teasdale LLP

(57) **CLAIM**

We claim the ornamental design for a wet/dry vacuum cleaner, as shown and described.

**DESCRIPTION**

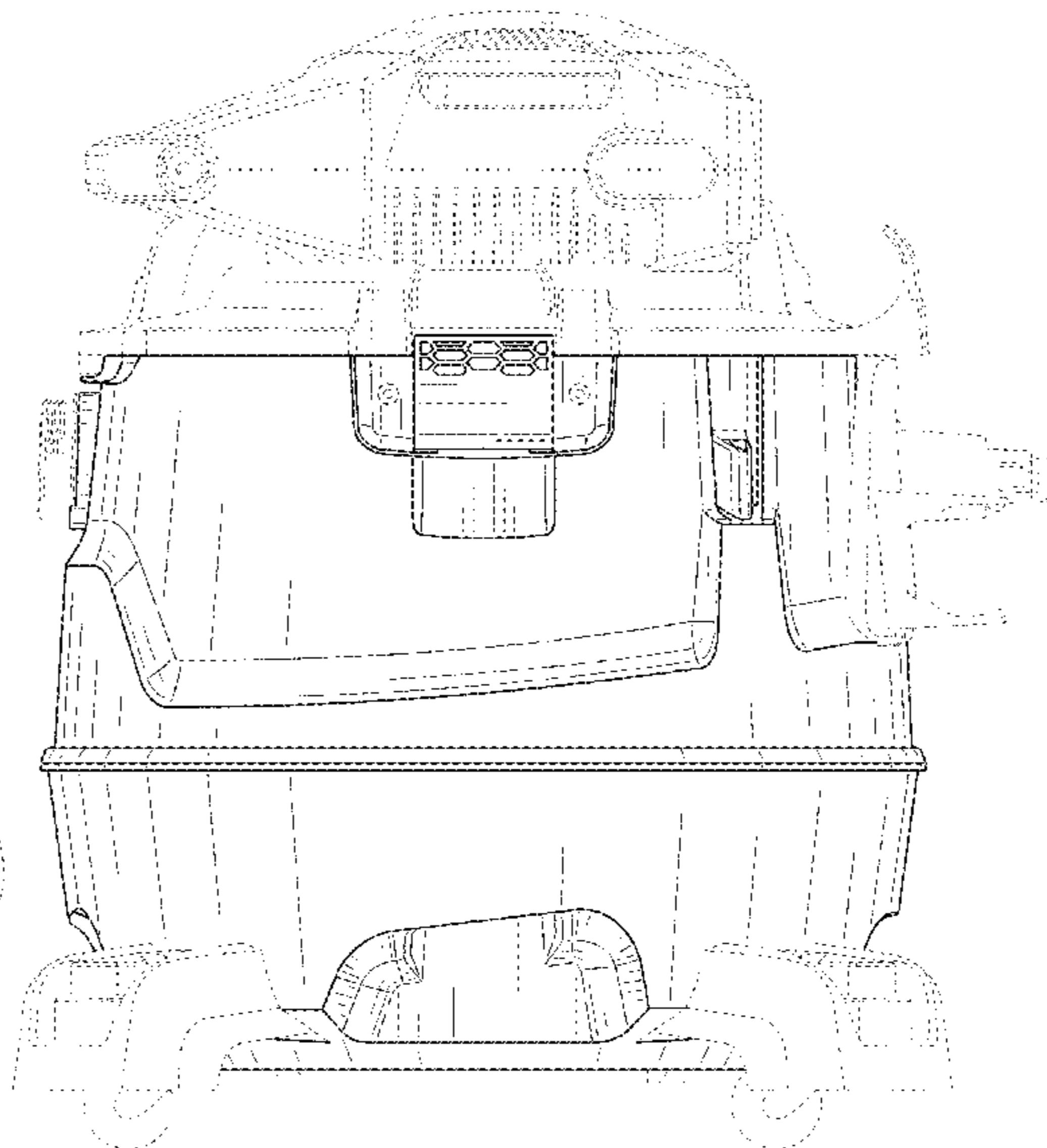
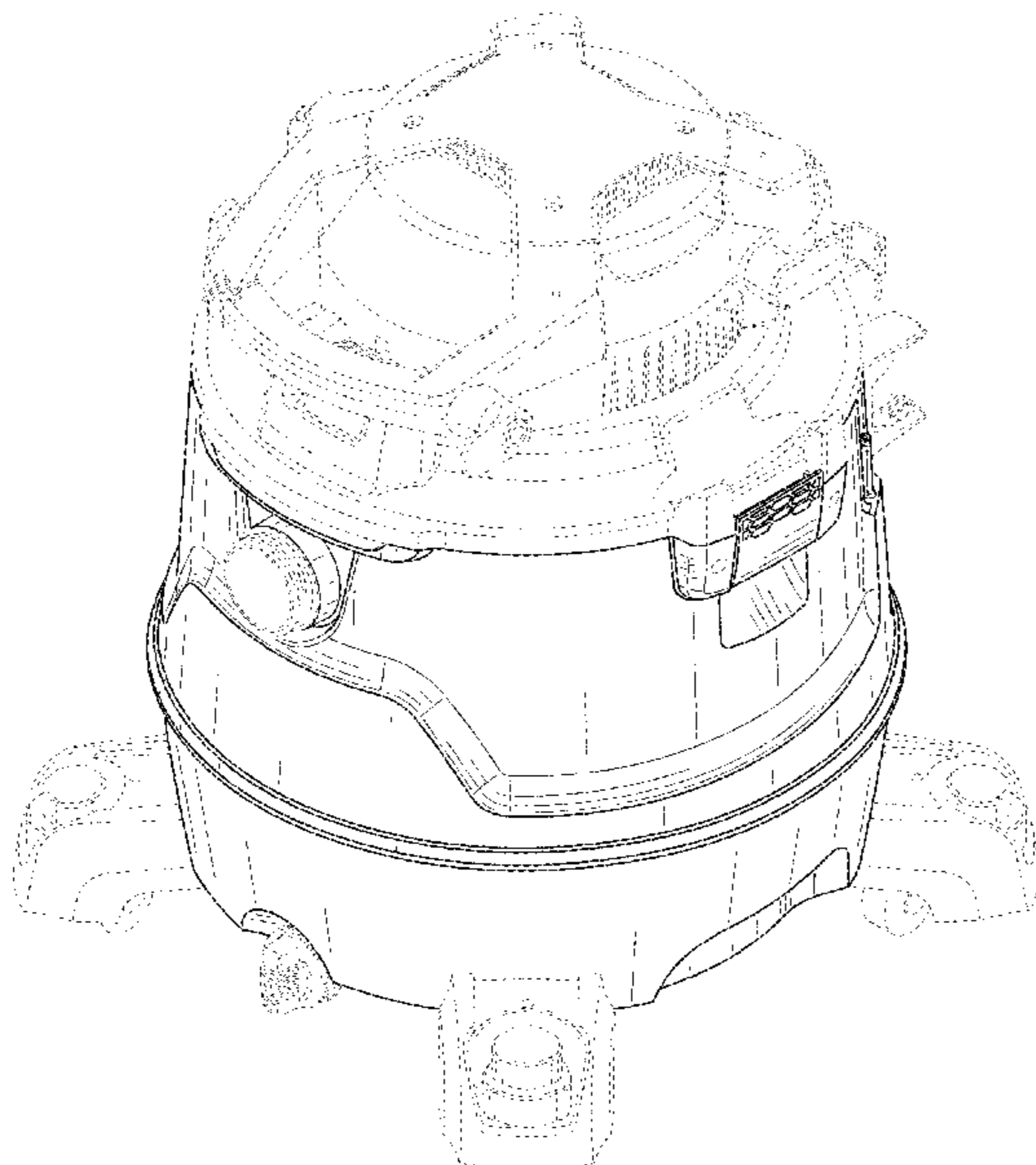
FIG. 1 is a front and right-side perspective view of a wet/dry vacuum cleaner showing our new design;  
 FIG. 2 is a front view thereof;  
 FIG. 3 is a rear view thereof;  
 FIG. 4 is a right side view thereof;  
 FIG. 5 is a left side view thereof; and,  
 FIG. 6 is a top view thereof.  
 The details shown in broken lines form no part of the claimed design.

**1 Claim, 6 Drawing Sheets**

(56) **References Cited**

**U.S. PATENT DOCUMENTS**

D286,336 S *	10/1986	Berfield .....	D32/23
D361,179 S *	8/1995	Moine .....	D32/23
D362,091 S	9/1995	Tomasiak et al.	
D418,643 S	1/2000	Hoshino	
D429,394 S *	8/2000	Griffin .....	D32/31
D438,353 S	2/2001	Hoshino et al.	
D443,739 S	6/2001	Young et al.	
D445,549 S *	7/2001	Griffin .....	D32/31
D447,609 S	9/2001	Hult et al.	
D479,023 S	8/2003	Holsten et al.	
D486,280 S *	2/2004	Holsten .....	D32/23



(56)

**References Cited**

U.S. PATENT DOCUMENTS

D596,359 S 7/2009 Hollis et al.  
D614,369 S 4/2010 Theising et al.  
D615,259 S \* 5/2010 Theising ..... D32/31  
D617,514 S 6/2010 Hollis et al.  
D618,870 S 6/2010 Williams et al.  
D634,494 S 3/2011 Theising et al.  
D647,260 S 10/2011 Hollis et al.  
D647,261 S 10/2011 Schultz et al.  
D657,101 S 4/2012 Williams et al.  
D666,369 S 8/2012 Williams et al.  
D669,646 S 10/2012 Theising et al.  
D670,046 S 10/2012 Theising et al.  
D670,048 S 10/2012 Theising et al.  
D676,205 S 2/2013 Theising et al.  
D740,504 S 10/2015 Williams et al.  
D743,655 S 11/2015 Holsten et al.  
9,192,270 B2 \* 11/2015 Westbrook ..... A47L 7/0038  
9,468,345 B2 \* 10/2016 Zhu ..... A47L 5/365  
9,492,047 B2 \* 11/2016 Marsden ..... A47L 5/365  
9,668,625 B2 \* 6/2017 Wolford ..... A47L 5/14  
10,092,148 B2 \* 10/2018 Gierer ..... A47L 5/22

FOREIGN PATENT DOCUMENTS

CA ID89523 S 5/2000  
CA ID90731 S 10/2000

\* cited by examiner

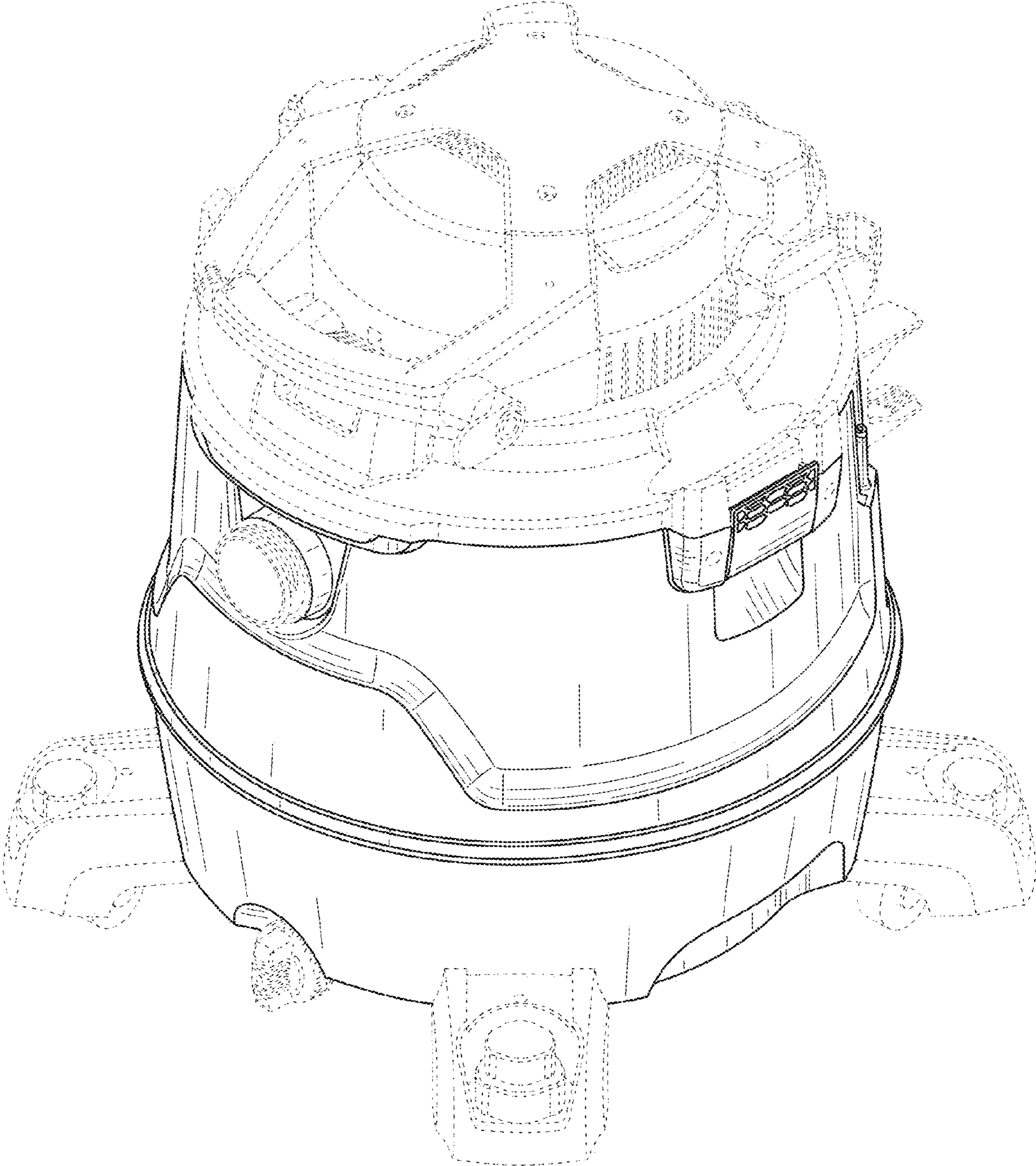


FIG. 1

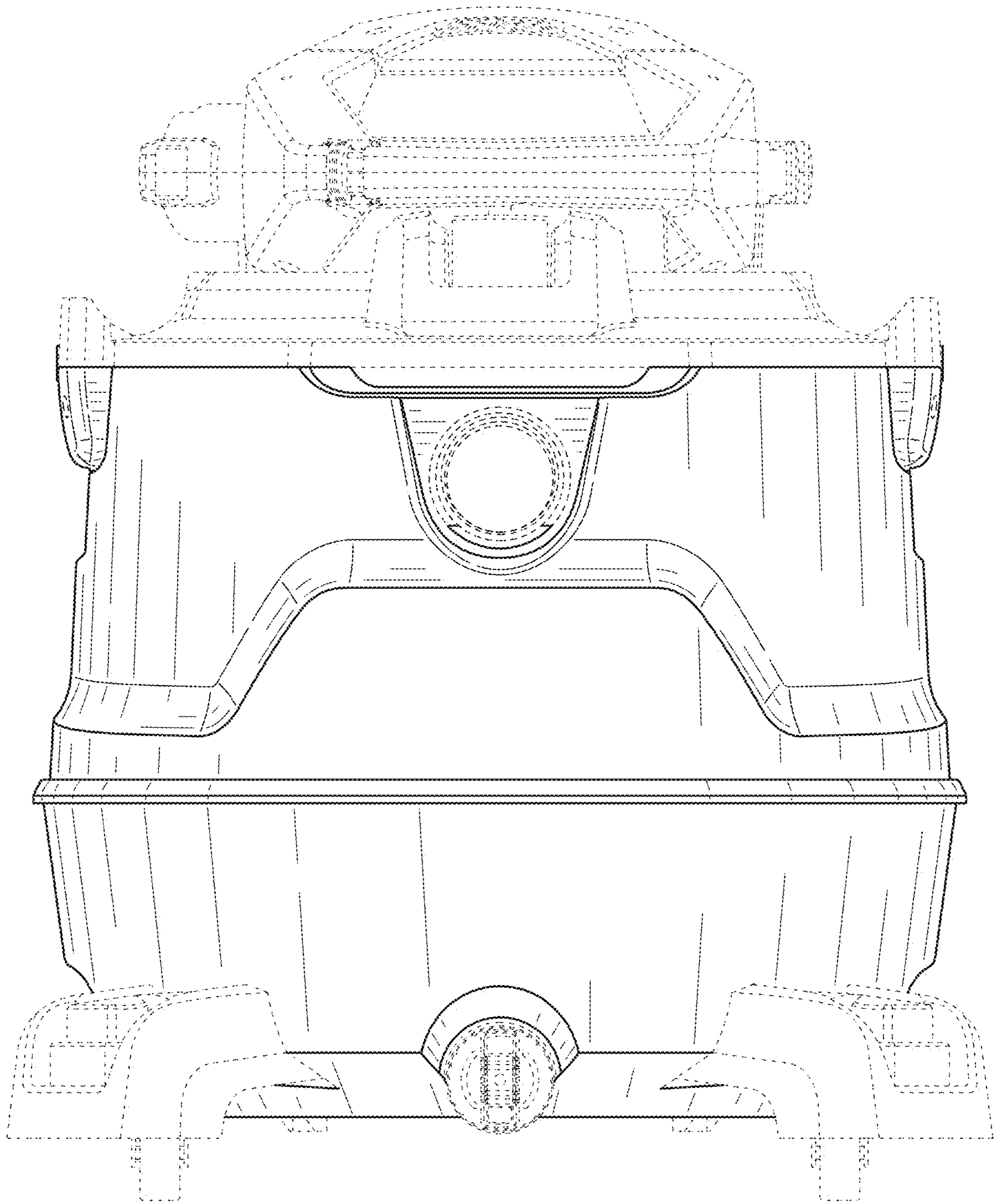


FIG. 2

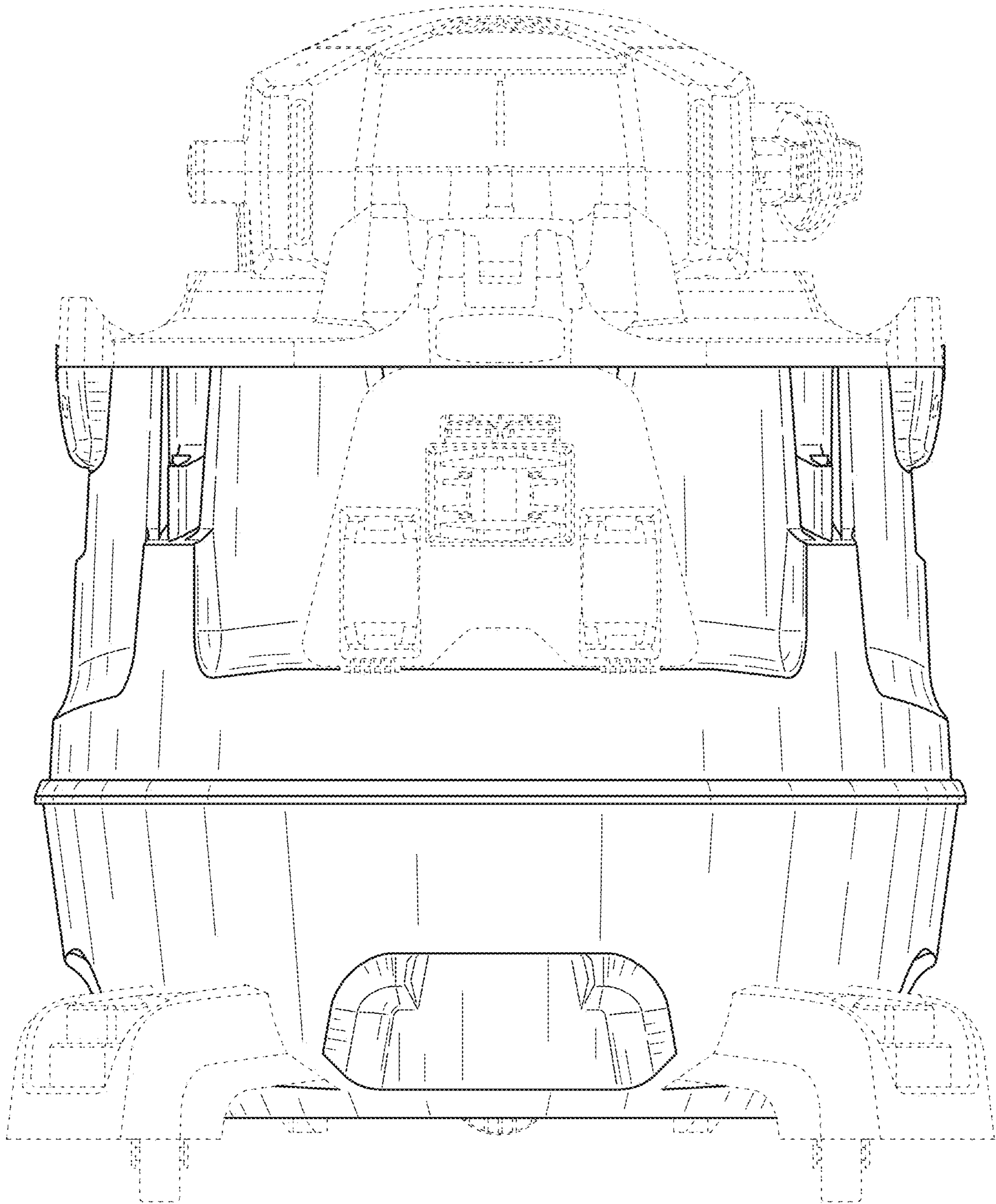


FIG. 3

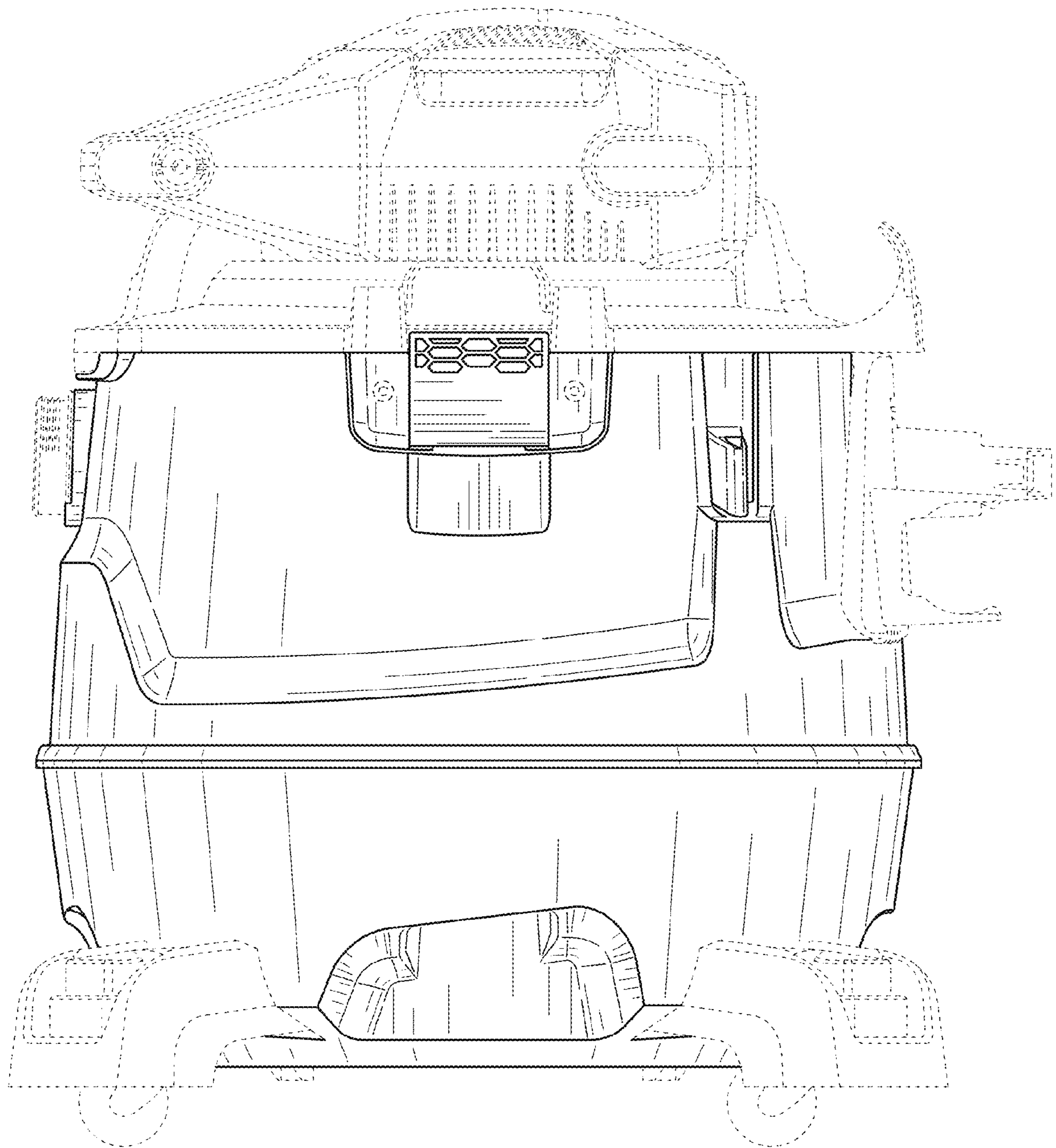


FIG. 4

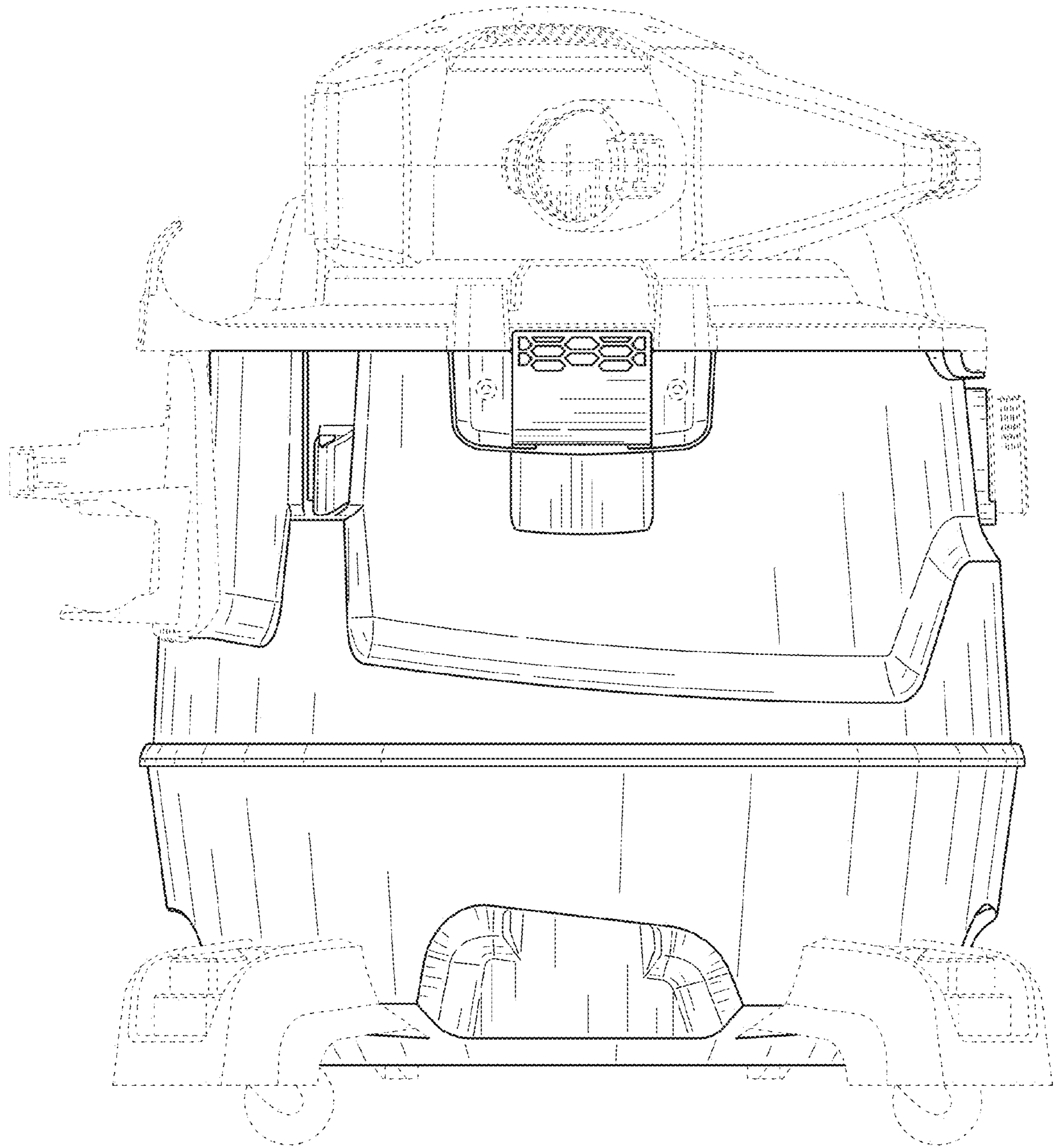


FIG. 5

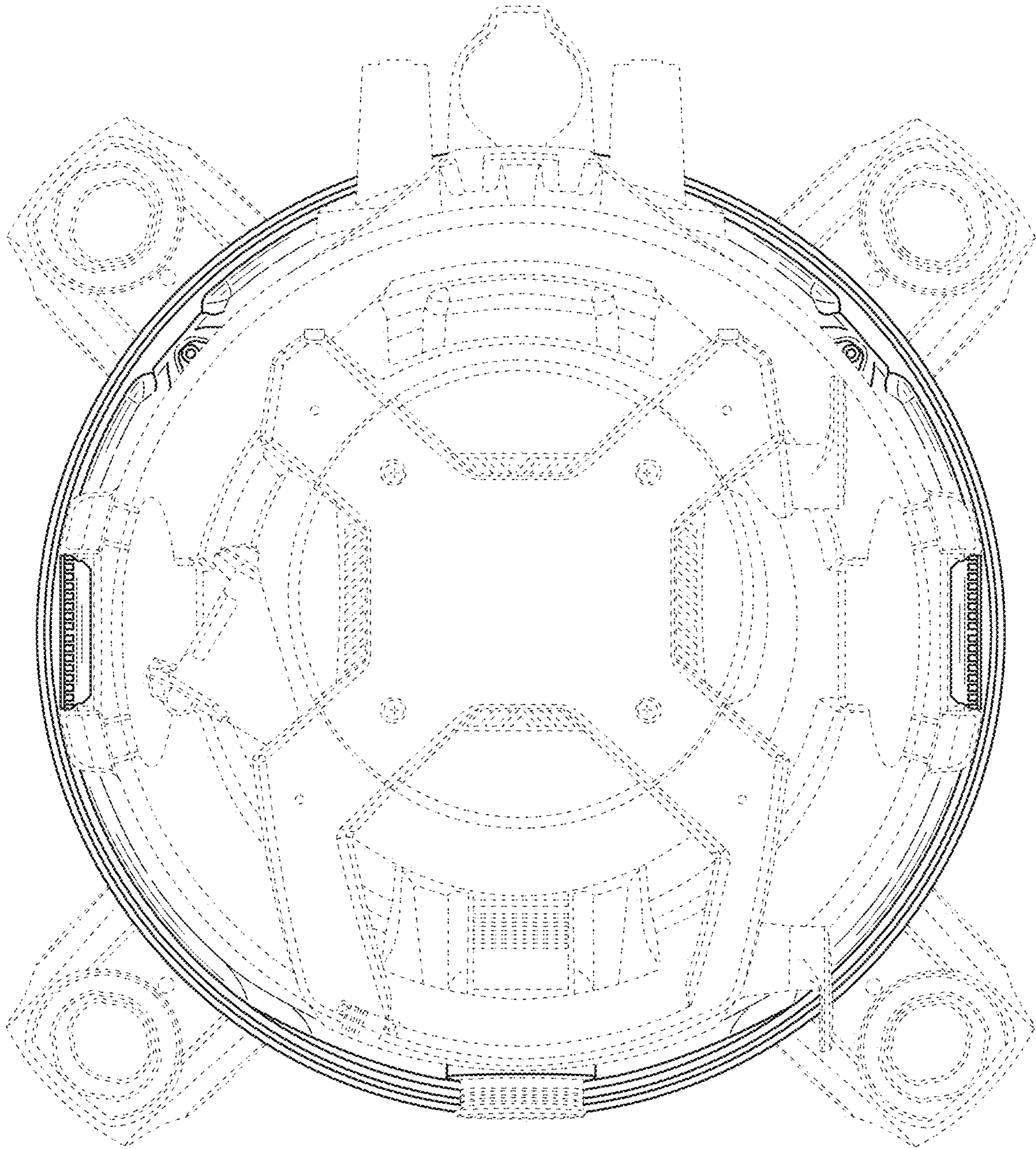


FIG. 6