



US00D882890S

(12) **United States Design Patent**
Baldwin et al.

(10) **Patent No.:** **US D882,890 S**
(45) **Date of Patent:** **** Apr. 28, 2020**

(54) **SPRAYER FOR DISH WASHING MACHINE**

D212,121 S * 8/1968 Tuthill D32/3
4,145,002 A * 3/1979 Noren A47L 15/23
239/110
D376,451 S * 12/1996 Osborn D32/3

(71) Applicant: **WHIRLPOOL CORPORATION**,
Benton Harbor, MI (US)

(Continued)

(72) Inventors: **Mark W. Baldwin**, Saint Joseph, MI
(US); **Michael S. Seeley**, South Haven,
MI (US)

FOREIGN PATENT DOCUMENTS

(73) Assignee: **Whirlpool Corporation**, Benton
Harbor, MI (US)

GB 1018885 * 10/1983
KR 300485286.0000 * 7/2007

(**) Term: **15 Years**

OTHER PUBLICATIONS

(21) Appl. No.: **29/628,612**

Amazon.com: Frigidaire 154567702 Dishwasher Spray Arm, reviews
2018, <https://www.amazon.com/Frigidaire-154567702-Dishwasher-Equipment-Manufacturer/dp/> . . . site visited Aug. 8, 2019.*

(22) Filed: **Dec. 6, 2017**

(Continued)

Related U.S. Application Data

(62) Division of application No. 29/548,259, filed on Dec.
11, 2015, now Pat. No. Des. 808,598, which is a
division of application No. 29/471,178, filed on Oct.
29, 2013, now Pat. No. Des. 748,351.

Primary Examiner — Eric L Goodman

Assistant Examiner — John R Yeh

(74) *Attorney, Agent, or Firm* — McGarry Bair PC

(51) **LOC (12) Cl.** **15-05**

(52) **U.S. Cl.**
USPC **D32/3**

(58) **Field of Classification Search**
USPC D32/2-3
CPC A47L 15/22; A47L 15/42; A47L 15/23
See application file for complete search history.

(57) **CLAIM**

The ornamental design for a sprayer of a dish washing
machine, as shown and described.

DESCRIPTION

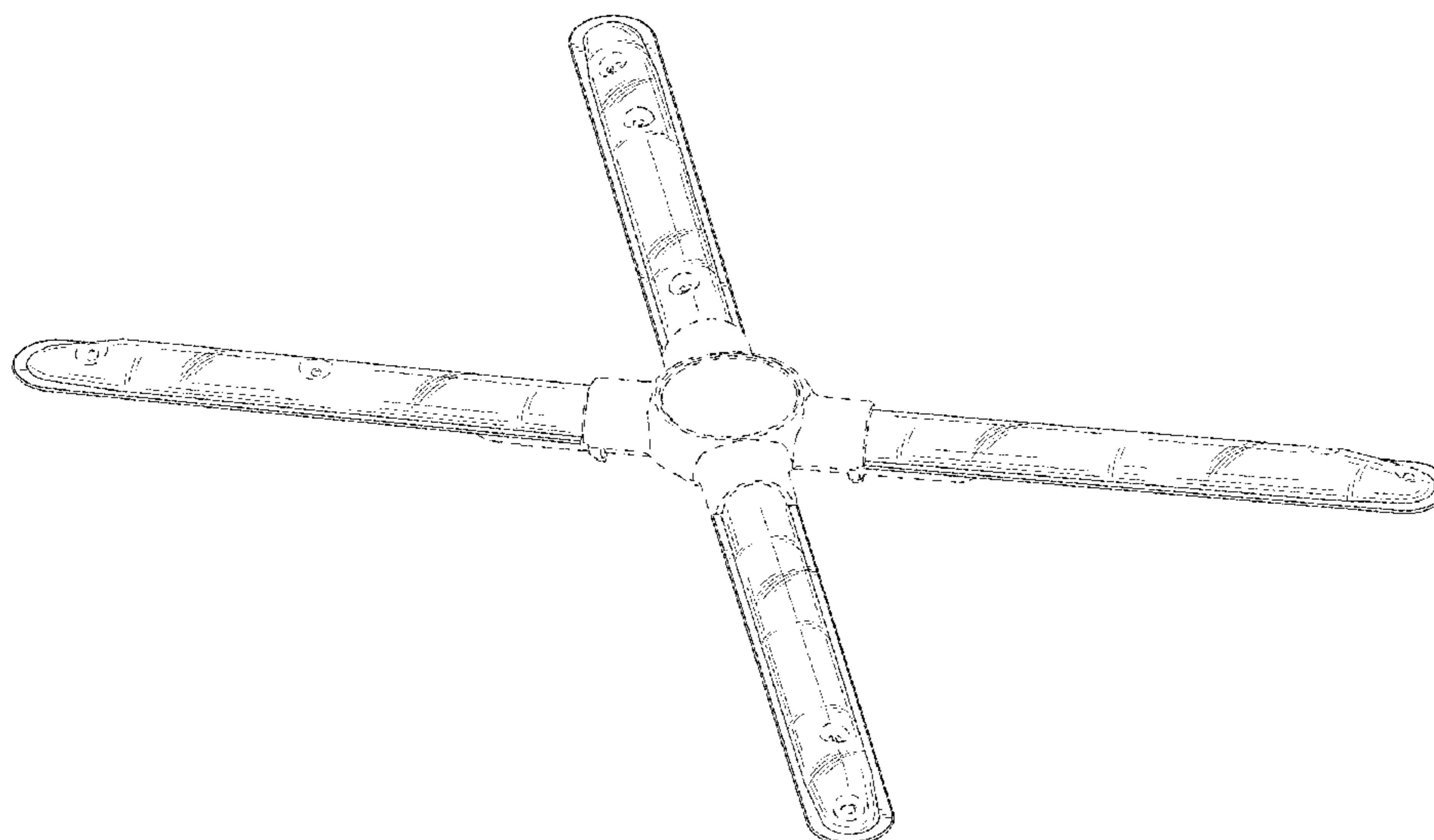
(56) **References Cited**

U.S. PATENT DOCUMENTS

1,737,257 A * 11/1929 Merseles A47L 15/23
239/251
2,585,608 A * 2/1952 Wieghart A47L 15/23
239/251
2,637,595 A * 5/1953 Fox A47L 15/23
239/244
D196,450 S * 10/1963 Claywell D32/3
3,323,529 A * 6/1967 Geiger A47L 15/23
134/104.1

FIG. 1 is a perspective view of an embodiment of a sprayer
showing our new design;
FIG. 2 is a front view of the sprayer from FIG. 1, the rear
view being a mirror image thereof;
FIG. 3 is a right side view of the sprayer from FIG. 1, the
left side view being a mirror image thereof; and,
FIG. 4 is a top view of the sprayer from FIG. 1.
As shown in FIGS. 1-4, the sprayer has arms with a
reflective appearance as represented by the oblique line
shading. The broken lines show portions of the sprayer for
dish washing machine that form no part of the claimed
design.

1 Claim, 3 Drawing Sheets



(56)

References Cited

U.S. PATENT DOCUMENTS

D461,284 S * 8/2002 Hegeman D32/3
 D675,386 S * 1/2013 Burrows D32/3
 9,119,521 B2 * 9/2015 Delgado A47L 15/22
 D741,556 S * 10/2015 Lee D32/3
 D748,351 S * 1/2016 Baldwin D32/3
 D748,352 S * 1/2016 Baldwin D32/3
 D776,372 S * 1/2017 Haft D32/3
 D799,764 S * 10/2017 Haft D32/3
 9,839,340 B2 * 12/2017 Feddema A47L 15/4282
 D808,598 S * 1/2018 Baldwin D32/3
 10,058,229 B2 * 8/2018 Feddema A47L 15/4282
 D836,262 S * 12/2018 Lee D32/3
 2013/0068259 A1 * 3/2013 Thiyagarajan A47L 15/23
 134/25.2
 2014/0190533 A1 * 7/2014 Boyer A47L 15/23
 134/172
 2015/0164299 A1 * 6/2015 Naik A47L 15/4282
 134/179

2017/0065147 A1 * 3/2017 Boyer A47L 15/23
 2017/0231461 A1 * 8/2017 Burkle A47L 15/23
 239/463
 2017/0311772 A1 * 11/2017 Woo A47L 15/4282
 2017/0354307 A1 * 12/2017 Demircioglu A47L 15/22
 2017/0354308 A1 * 12/2017 Choi A47L 15/23
 2017/0354311 A1 * 12/2017 Yoo A47L 15/16
 2018/0271349 A1 * 9/2018 Fountain A47L 15/22
 2019/0200838 A1 * 7/2019 Hong A47L 15/4219

OTHER PUBLICATIONS

Amazon.com Whirlpool Dishwasher Spray Arm, website 2019,
<https://www.amazon.com/WPW10406822-Whirlpool-Dishwasher-Spray-Arm/dp/B00J8I46> . . . site visited Aug. 8, 2019.*
 AP Wagner Arm-Spray | Whirlpool Corporation, website 2019,
https://www.apwagner.com/appliance-part/wpl/wpw10320510?utm_content=buffer8f323& . . . site visited Aug. 8, 2019.*

* cited by examiner

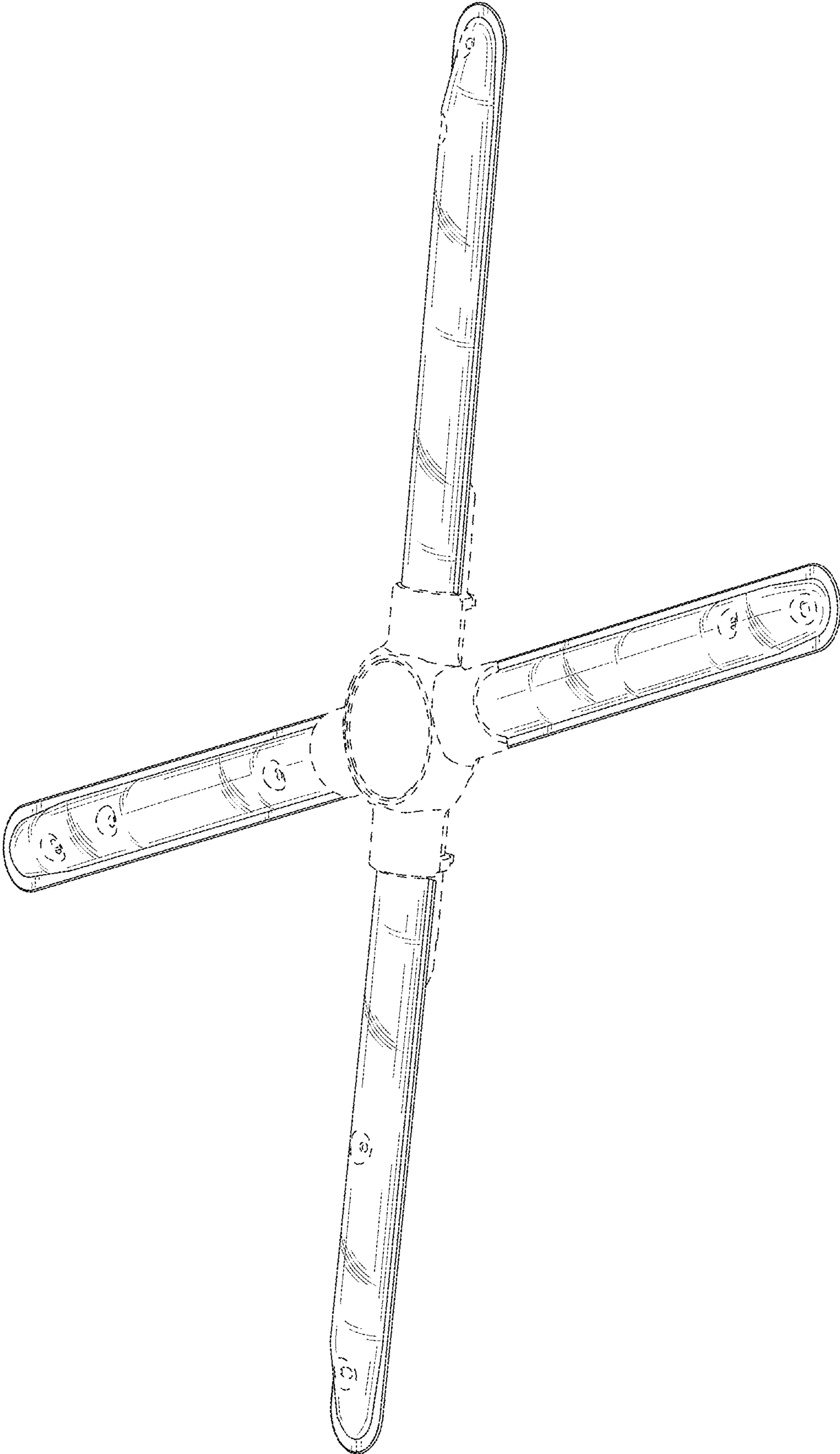


FIG. 1

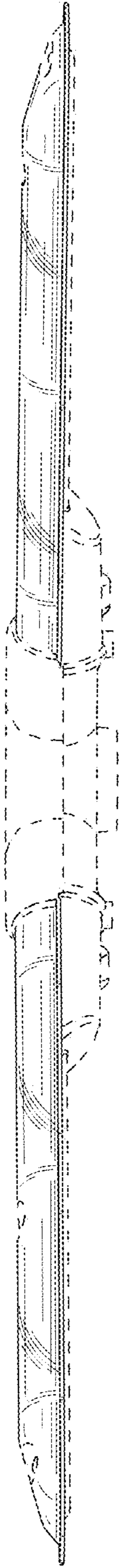


FIG. 2

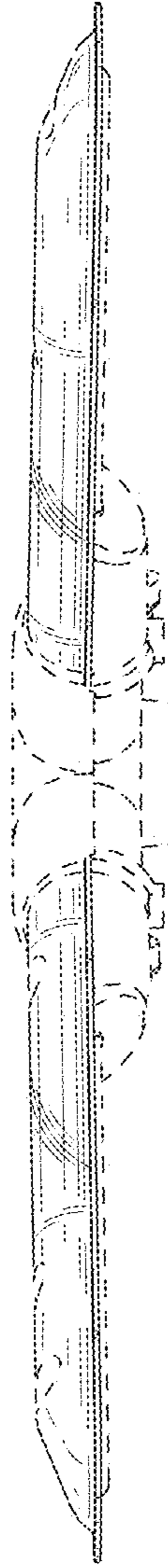


FIG. 3

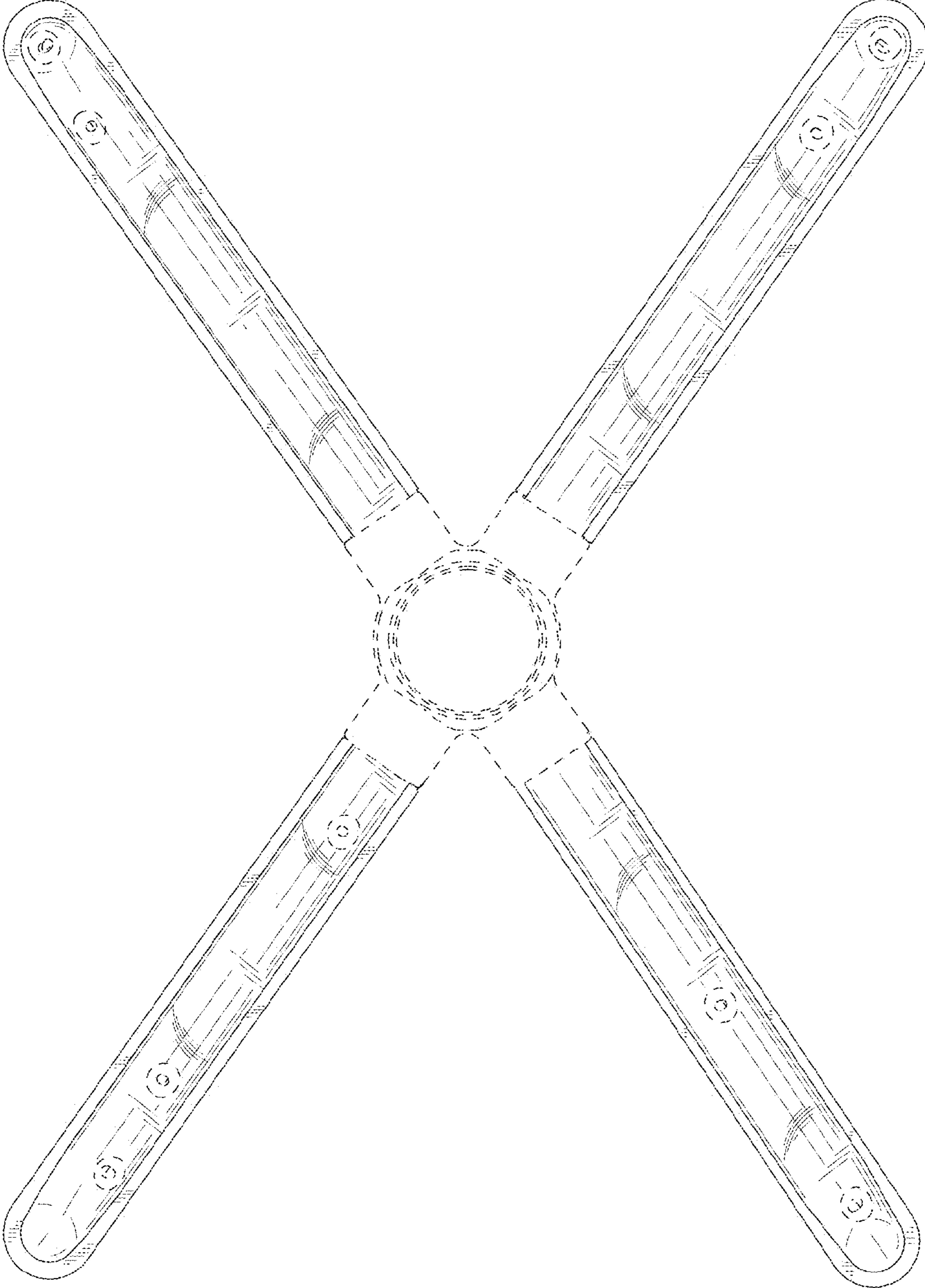


FIG. 4