



US00D882889S

(12) **United States Design Patent** (10) **Patent No.:** **US D882,889 S**
Castelluccio (45) **Date of Patent:** **** Apr. 28, 2020**

(54) **COMBINED PET LITTER CONTAINER AND TRAY**

(71) Applicant: **Chris Castelluccio**, Chestnut Ridge, NY (US)

(72) Inventor: **Chris Castelluccio**, Chestnut Ridge, NY (US)

(**) Term: **15 Years**

(21) Appl. No.: **29/663,617**

(22) Filed: **Sep. 17, 2018**

(51) **LOC (12) Cl.** **30-99**

(52) **U.S. Cl.**
USPC **D30/161**

(58) **Field of Classification Search**
USPC D30/161, 162, 199; 119/161, 163-170
CPC A01K 1/0121; A01K 1/011; A01K 1/0117;
A01K 1/0114; A01K 1/0125; A01K 1/0155; A01K 1/0154; A01K 29/00
See application file for complete search history.

(56) **References Cited**

U.S. PATENT DOCUMENTS

3,377,990 A	4/1968	Mitchell	
3,716,371 A *	2/1973	Calvert	A01K 67/033
			426/2
3,745,975 A *	7/1973	Prucha	A01K 1/0107
			119/165
3,886,901 A	6/1975	Zeitter	
3,908,597 A *	9/1975	Taylor	A01K 1/0114
			119/166
D241,755 S *	10/1976	Lowe	D30/161
3,990,396 A *	11/1976	Turk	A01K 1/0107
			119/170
3,990,397 A *	11/1976	Lowe, Jr.	A01K 1/0107
			119/165
4,271,787 A	6/1981	Wellman	

4,505,226 A *	3/1985	Carlson	A01K 1/0114
			119/166
4,648,349 A	3/1987	Larson	
4,649,578 A *	3/1987	Vargo	A01K 1/0114
			119/161
4,771,731 A *	9/1988	Derx	A01K 1/0107
			119/166
4,779,567 A	10/1988	Smith	
4,784,082 A *	11/1988	Wolfe	A01K 1/0107
			119/167
4,791,883 A	12/1988	Lehman	
4,801,006 A	1/1989	Martin	
4,807,563 A	2/1989	Berry	
4,846,105 A	7/1989	Caldwell	

(Continued)

Primary Examiner — Michael C Stout
Assistant Examiner — Katrina N Gonzalez
(74) *Attorney, Agent, or Firm* — QuickPatents, LLC;
Kevin Prince

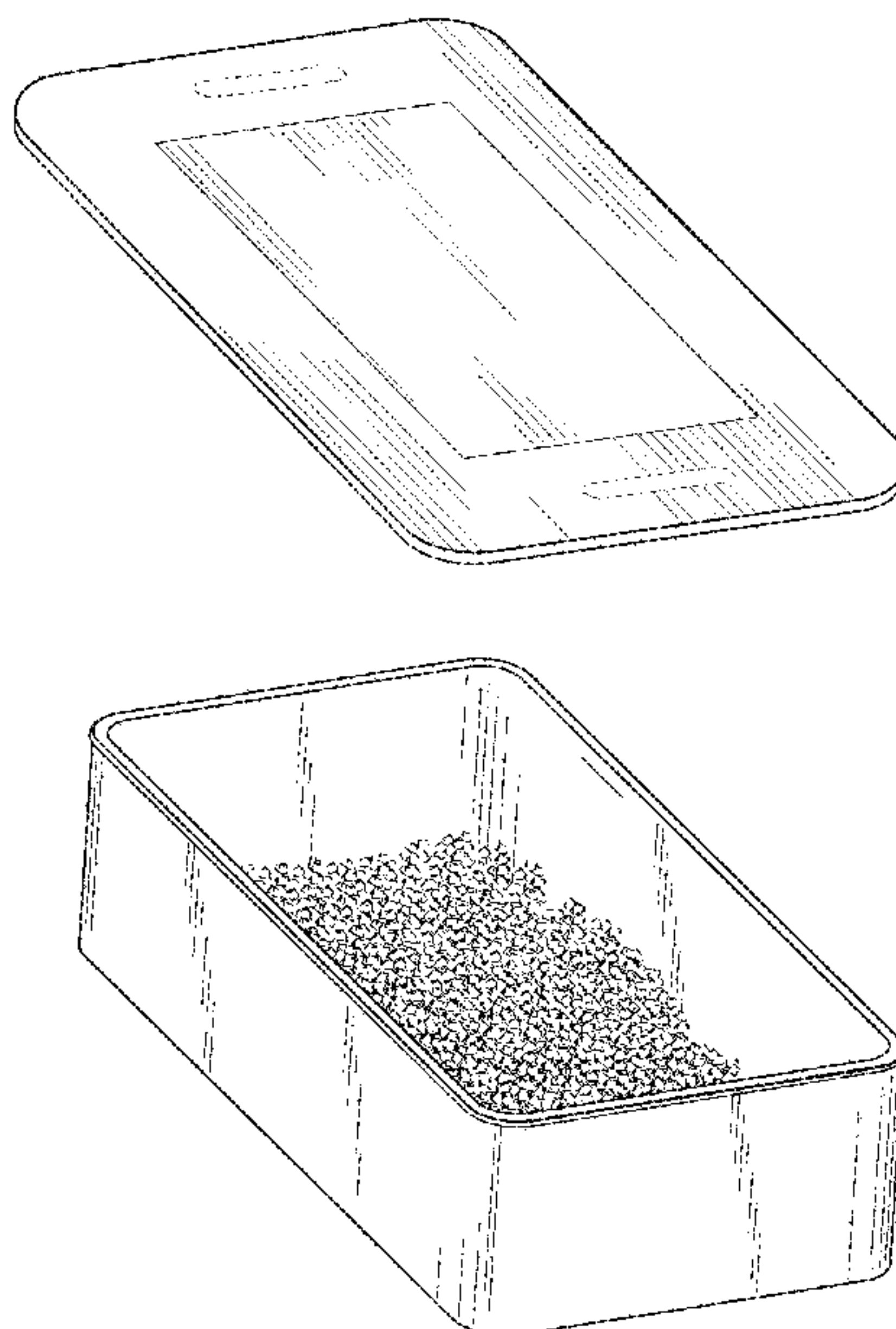
(57) **CLAIM**

I claim the ornamental design for a combined pet litter container and tray, as shown and described.

DESCRIPTION

FIG. 1 is a perspective view of a combined pet litter container and tray showing my new design; FIG. 2 is a perspective view thereof, illustrated with a portion of a lid removed; FIG. 3 is an exploded perspective view of FIG. 1; FIG. 4 is an exploded front elevational view of FIG. 1, the exploded rear elevational view being a mirror image thereof; FIG. 5 is an exploded left-side elevational view of FIG. 1, the exploded right-side elevational view being a mirror image thereof; FIG. 6 is an exploded top plan view of FIG. 1; and, FIG. 7 is an exploded bottom plan view of FIG. 1. The broken lines illustrate portions of the combined litter container and tray that form no part of the claimed design.

1 Claim, 6 Drawing Sheets



(56)

References Cited

U.S. PATENT DOCUMENTS

D313,816 S *	1/1991	Evans	D19/75	2007/0056522 A1 *	3/2007	Clementi	A01K 1/0114
5,207,772 A	5/1993	Lauretta							119/166
5,220,885 A	6/1993	Goetz			2007/0215058 A1 *	9/2007	Spreitzer	A01K 1/0114
5,249,549 A	10/1993	Rockaitis							119/166
5,476,067 A	12/1995	Queen			2009/0126642 A1 *	5/2009	Coccia	A01K 1/0107
5,558,041 A	9/1996	Fairall							119/165
5,758,601 A	6/1998	Dickson			2009/0283049 A1 *	11/2009	Spreitzer	A01K 1/0114
6,079,364 A *	6/2000	Tamba	A01K 1/011					119/166
				119/163	2012/0025096 A1 *	2/2012	Lovenvirth	A01K 1/0107
6,568,347 B2	5/2003	Ciguere							250/455.11
7,059,272 B2	6/2006	Helou			2012/0255497 A1	10/2012	Simon		
D617,959 S *	6/2010	Twu	D30/161	2014/0338608 A1	11/2014	Williams		
8,256,193 B1	9/2012	Tsengas			2015/0136035 A1	5/2015	Takahashi		
D717,008 S *	11/2014	Kennington	D30/161	2015/0327508 A1 *	11/2015	Maddox	A01K 1/0114
8,978,588 B2	3/2015	Simon							119/166
D810,422 S *	2/2018	Glass	D3/206	2016/0029589 A1	2/2016	Norman		
D850,029 S *	5/2019	Williams	D30/161	2017/0049071 A1 *	2/2017	Brown	A01K 1/0154
					2017/0118944 A1	5/2017	Wurth		
					2017/0118946 A1	5/2017	Sareyani		
					2017/0258034 A1	9/2017	Robbins		
					2019/0045738 A1 *	2/2019	Remick	A01K 1/0114

* cited by examiner

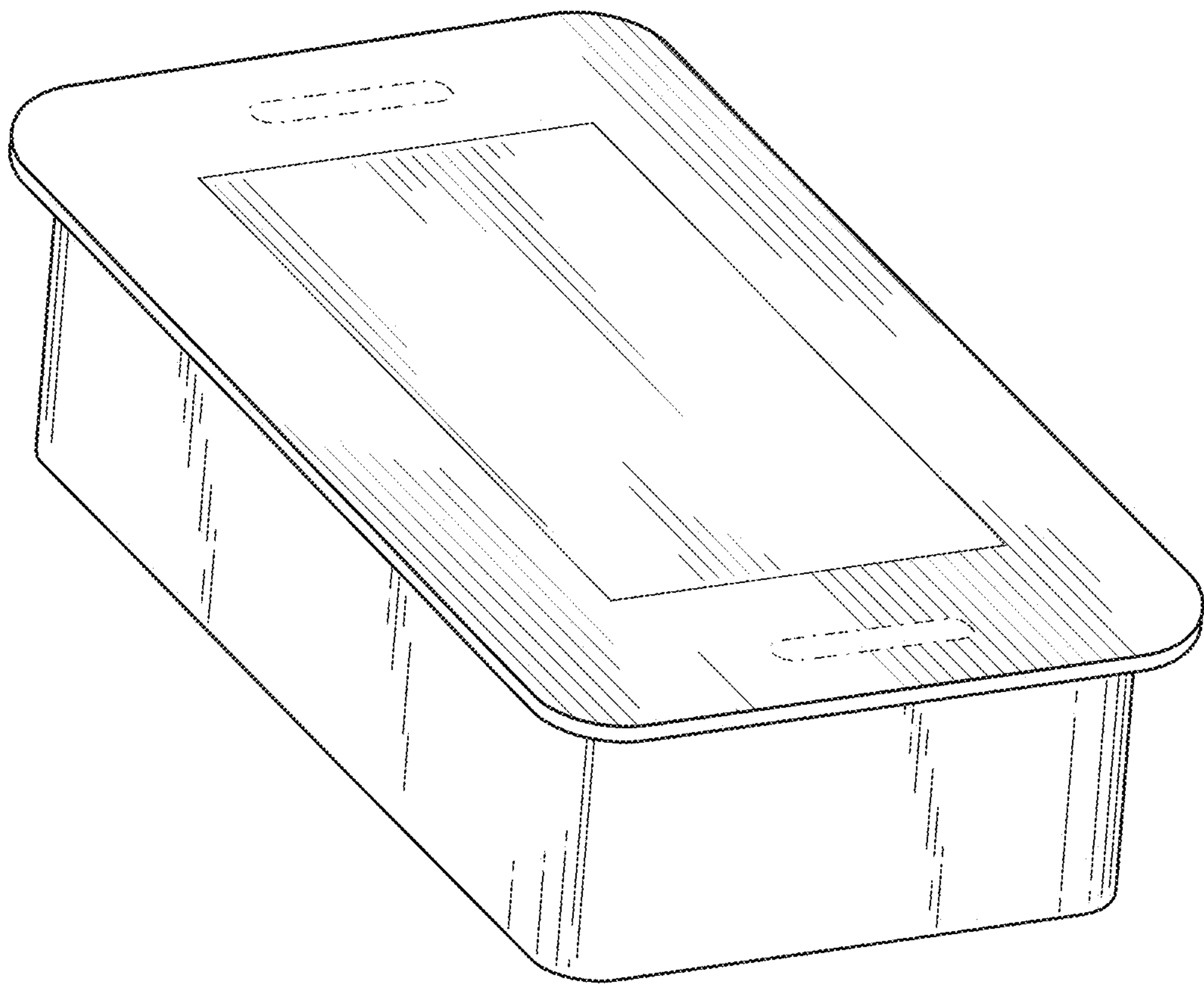


FIG. 1

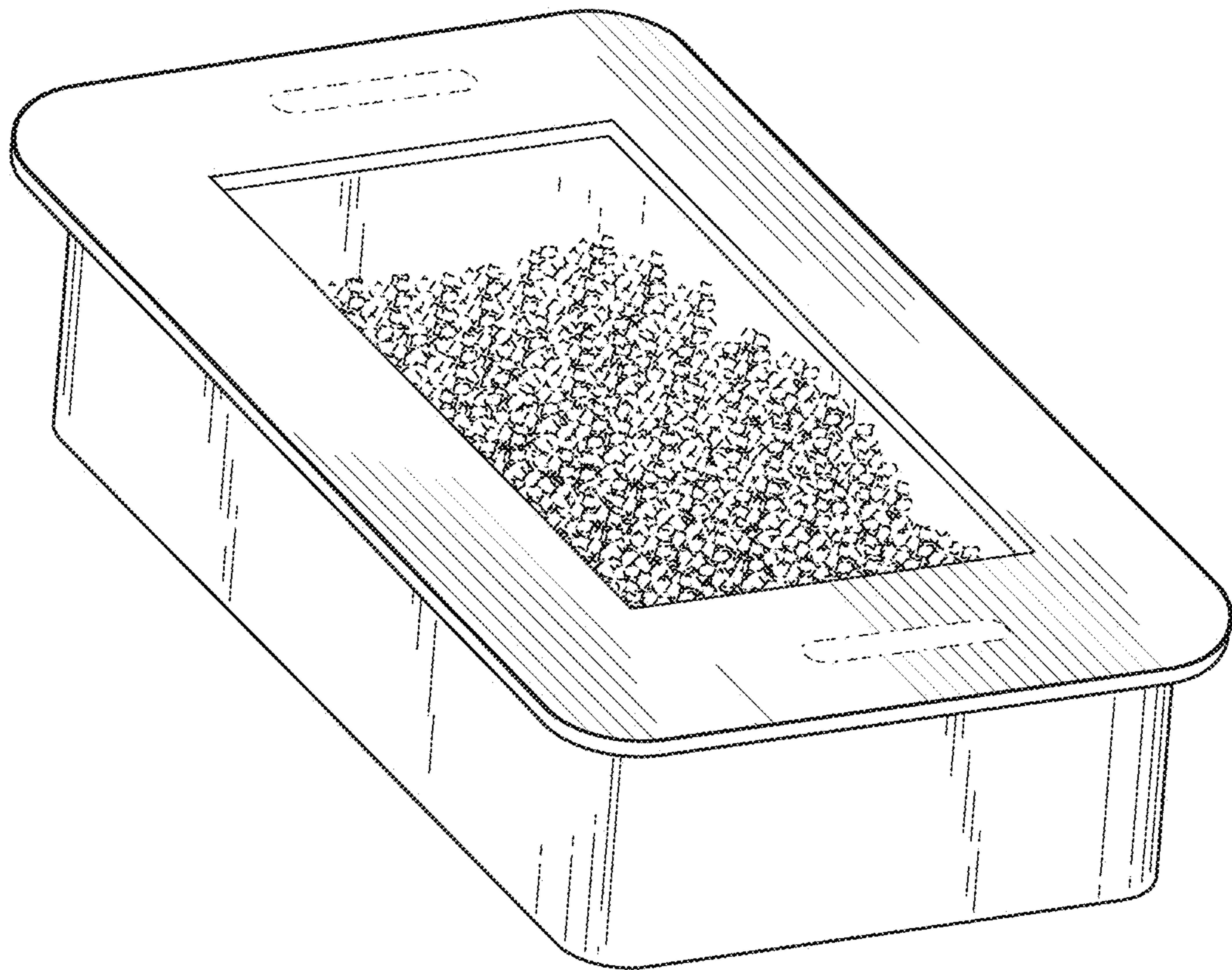


FIG. 2

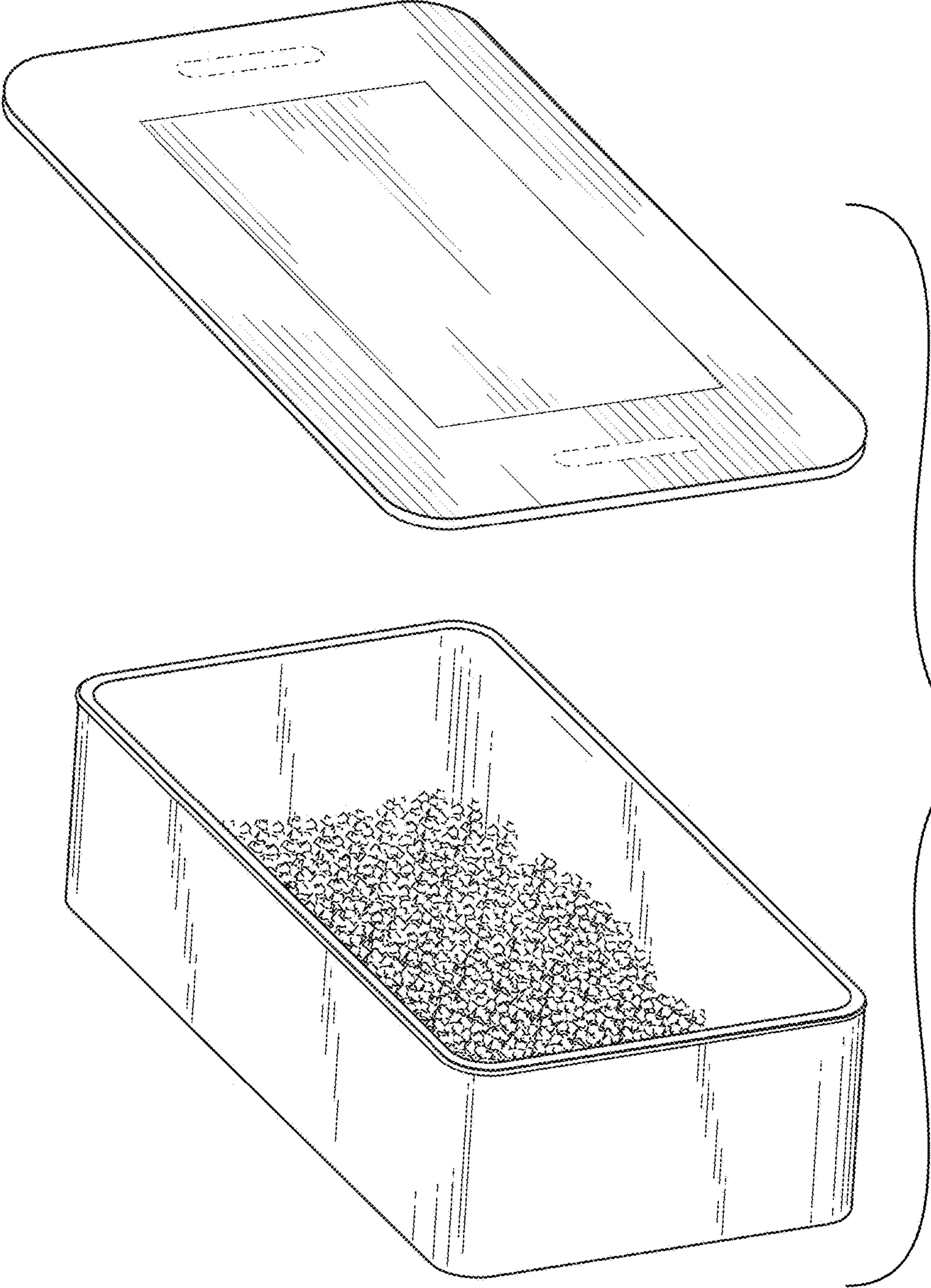


FIG. 3

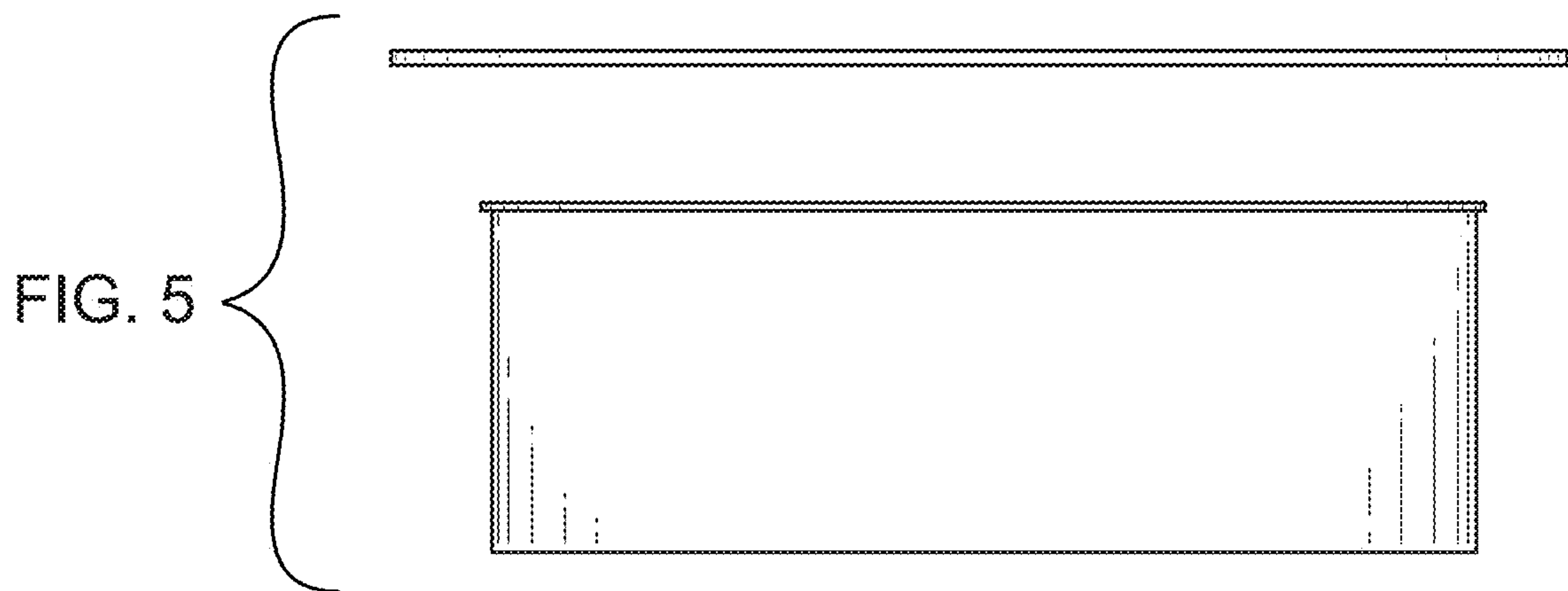
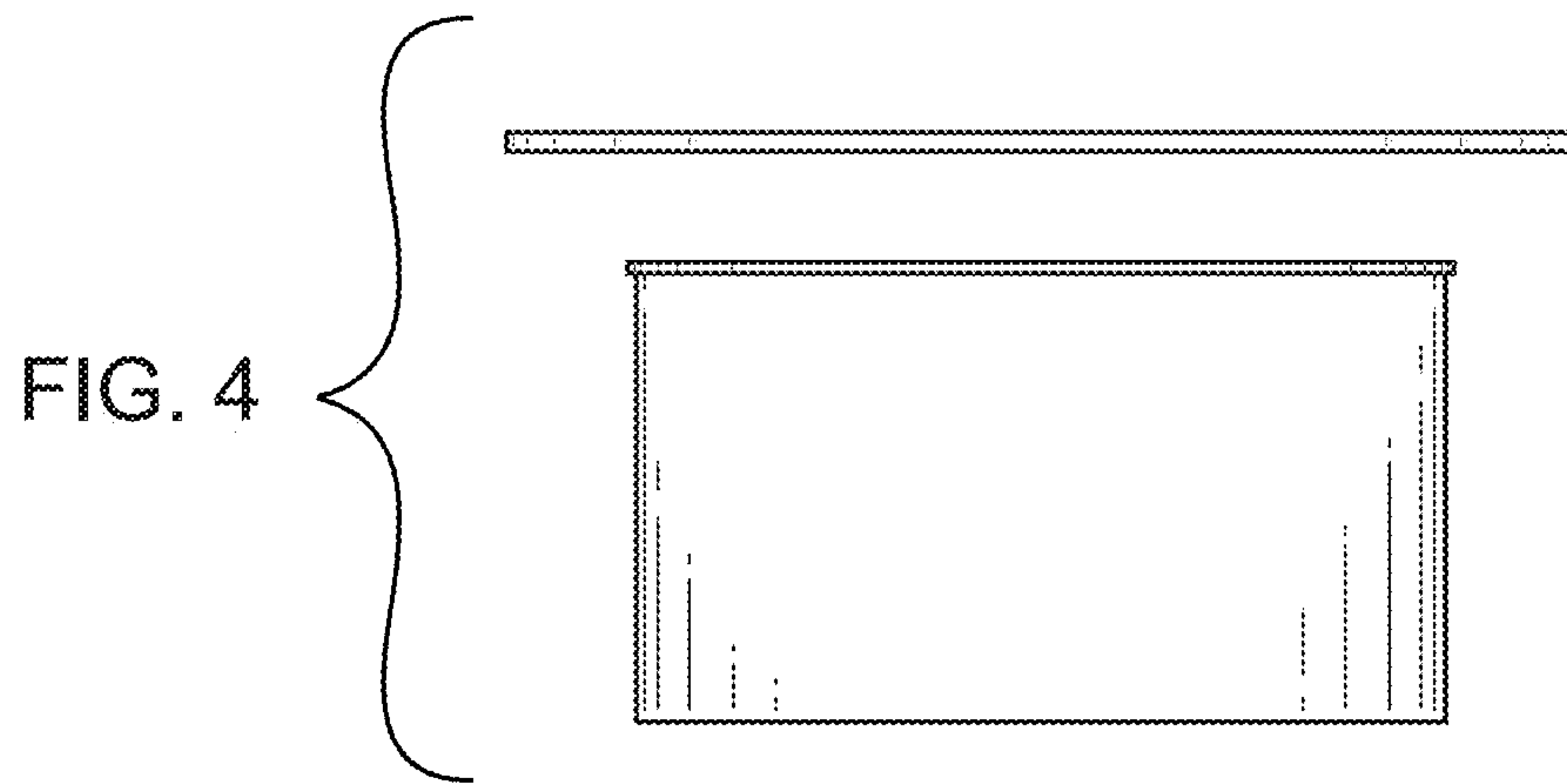


FIG. 6

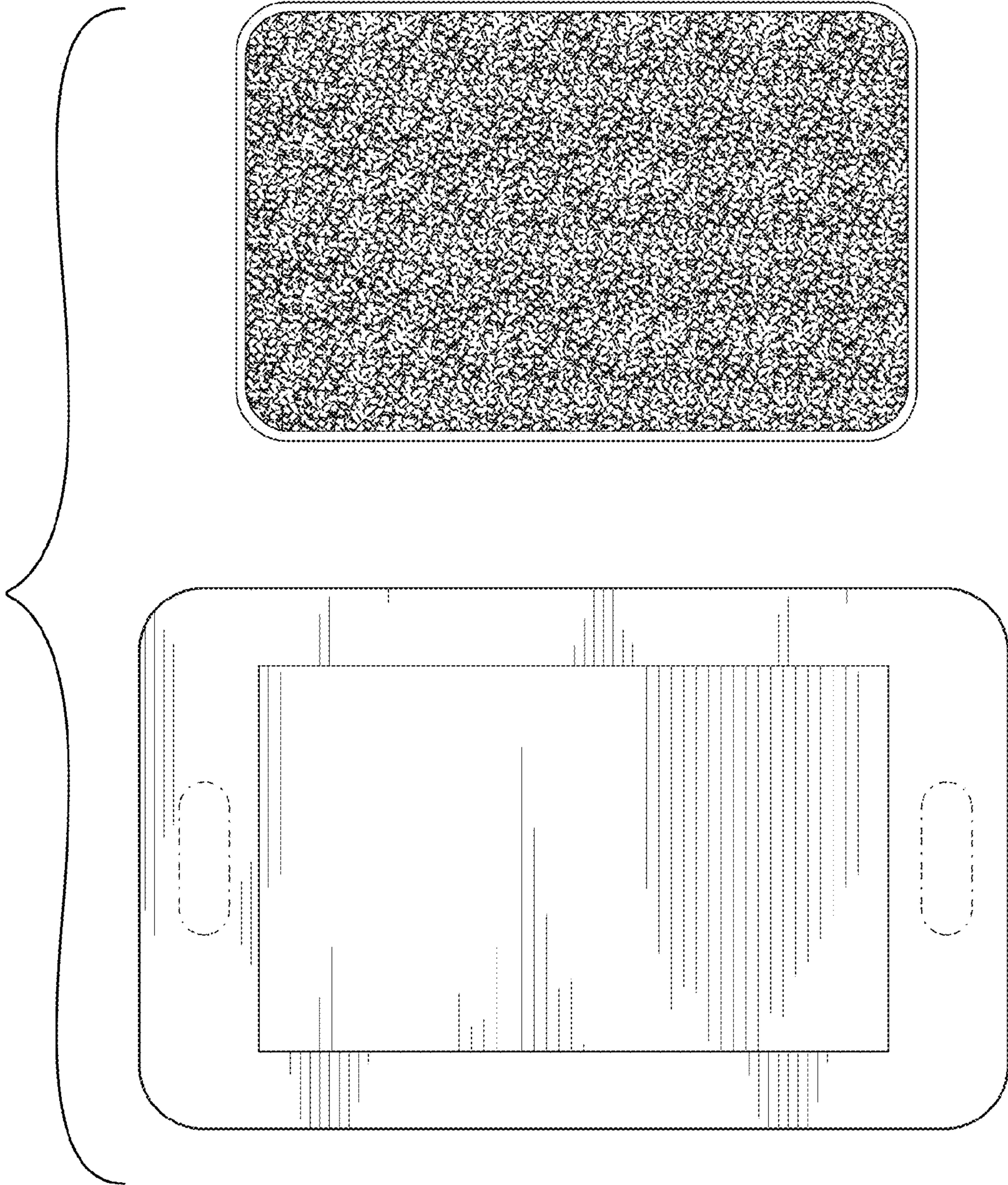


FIG. 7

