



US00D882884S

(12) **United States Design Patent**
Lan et al.

(10) **Patent No.:** **US D882,884 S**
(45) **Date of Patent:** **** Apr. 28, 2020**

(54) **RETRACTABLE DOG LEASH**
(71) Applicant: **Shenzhen Xcho Technology Limited**,
Shenzhen (CN)
(72) Inventors: **Zhangli Lan**, Shenzhen (CN); **Yukun Yang**,
Shenzhen (CN); **Jian Li**,
Shenzhen (CN)

2010/0107992 A1* 5/2010 Chefetz A01K 27/004
119/796
2014/0216361 A1* 8/2014 Chung A01K 27/004
119/796
2015/0208614 A1* 7/2015 Vaccari A01K 27/006
119/796
2016/0120152 A1* 5/2016 Zhu A01K 27/004
119/796

(**) Term: **15 Years**
(21) Appl. No.: **29/660,605**
(22) Filed: **Aug. 22, 2018**

OTHER PUBLICATIONS

“Petkit Retractable Dog Leash.” Found online Jan. 28, 2020 at
www.amazon.com. Product reviewed Oct. 16, 2019. Retrieved from
URL: https://www.amazon.com/PETKIT-Retractable-Rechargeable-Tangle-Free-Comfortable/dp/B07TZ3NBLQ/ref=sr_1_125?keywords=retractable+leash&qid=1580241281&sr=8-125 (Year: 2019).*

(30) **Foreign Application Priority Data**
Mar. 20, 2018 (CN) 2018 3 0104040
(51) **LOC (12) Cl.** **30-04**
(52) **U.S. Cl.**
USPC **D30/153**
(58) **Field of Classification Search**
USPC D10/72, 74; D26/28; D30/152, 153
CPC A01K 27/004
See application file for complete search history.

(Continued)

Primary Examiner — Mary Ann Calabrese
Assistant Examiner — Katelin G Kloberg
(74) *Attorney, Agent, or Firm* — Prakash Nama; Global
IP Services, PLLC

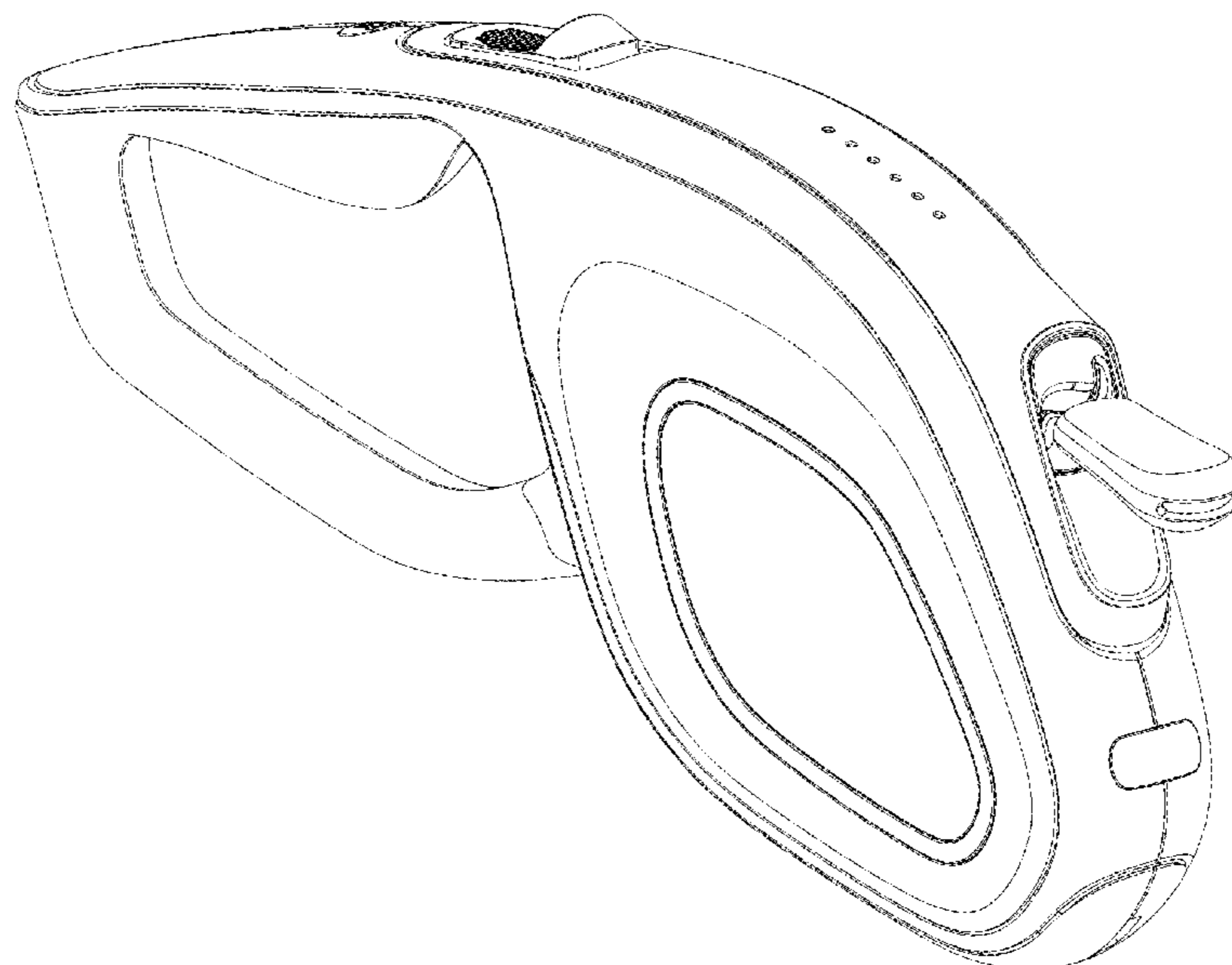
(56) **References Cited**
U.S. PATENT DOCUMENTS
4,856,726 A * 8/1989 Kang G01B 3/1005
242/384.7
D453,386 S * 2/2002 Philipson D26/38
6,925,967 B1 * 8/2005 Woodruff A01K 27/004
119/712
D651,366 S * 12/2011 Fisher D30/153
D711,054 S * 8/2014 Schmidt D30/153
D729,990 S * 5/2015 Taylor D30/153
D731,335 S * 6/2015 Rhoden D10/72
D762,018 S * 7/2016 Schmidt D30/153
D770,693 S * 11/2016 Zhu D30/153
D828,649 S * 9/2018 Schmidt D30/153
D829,389 S * 9/2018 Lan D30/153

(57) **CLAIM**
The ornamental design for a retractable dog leash, as shown
and described.

DESCRIPTION

FIG. 1 is a front elevational view of a retractable dog leash
showing our new design;
FIG. 2 is a rear elevational view thereof;
FIG. 3 is a left side view thereof;
FIG. 4 is a right side view thereof;
FIG. 5 is a top plan view thereof;
FIG. 6 is a bottom plan view thereof;
FIG. 7 is a top, rear, left side perspective view thereof; and,
FIG. 8 is a top, front, right side perspective view thereof.
The broken lines depict portions of the article that form no
part of the claimed design.

1 Claim, 5 Drawing Sheets



(56)

References Cited

OTHER PUBLICATIONS

“Fida Retractable Dog Leash.” Found online Jan. 28, 2020 at www.amazon.com. Product reviewed Dec. 29, 2018. Retrieved from URL: https://www.amazon.com/dp/B07H7ZM2TH/ref=psdc_3024196011_t1_B07Y9ZD3Y1?th=1 (Year: 2018).*

“Cleebourg Retractable Dog Leash.” Found online Jan. 28, 2020 at www.amazon.com. Product reviewed Dec. 29, 2019. Retrieved from URL: https://www.amazon.com/CLEEBOURG-Retractable-Anti-bite-Anti-Slip-One-Handed/dp/B081JKXB37/ref=sr_1_67?keywords=retractable+leash&qid=1580241204&sr=8-67 (Year: 2019).*

“Petacc Retractable Dog Leash.” Found online Jan. 28, 2020 at www.amazon.com. Product reviewed Jul. 29, 2019. Retrieved from URL: https://www.amazon.com/dp/b07tcrt89x?&tag=admarketus-20&ref=pd_sl_a904BBD28C805820B5470C25E0 (Year: 2019).*

* cited by examiner

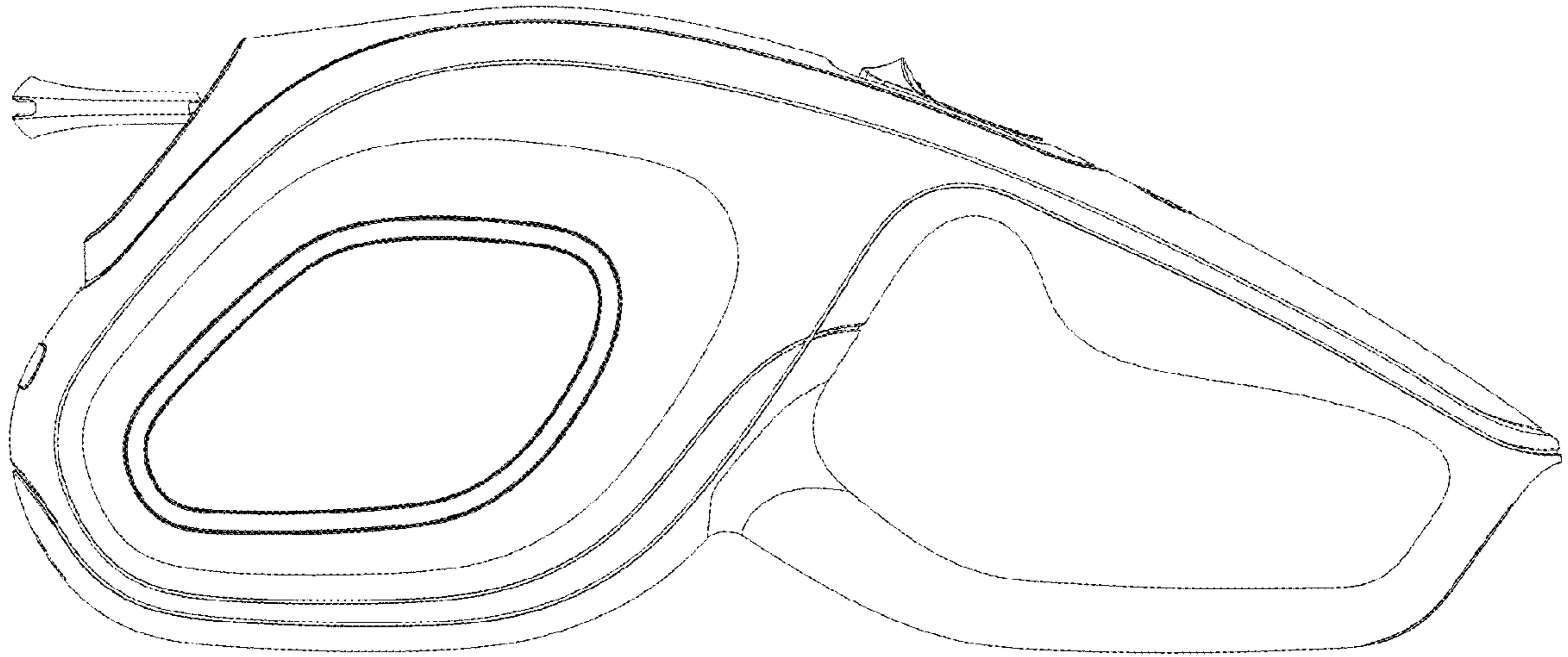


Fig. 1

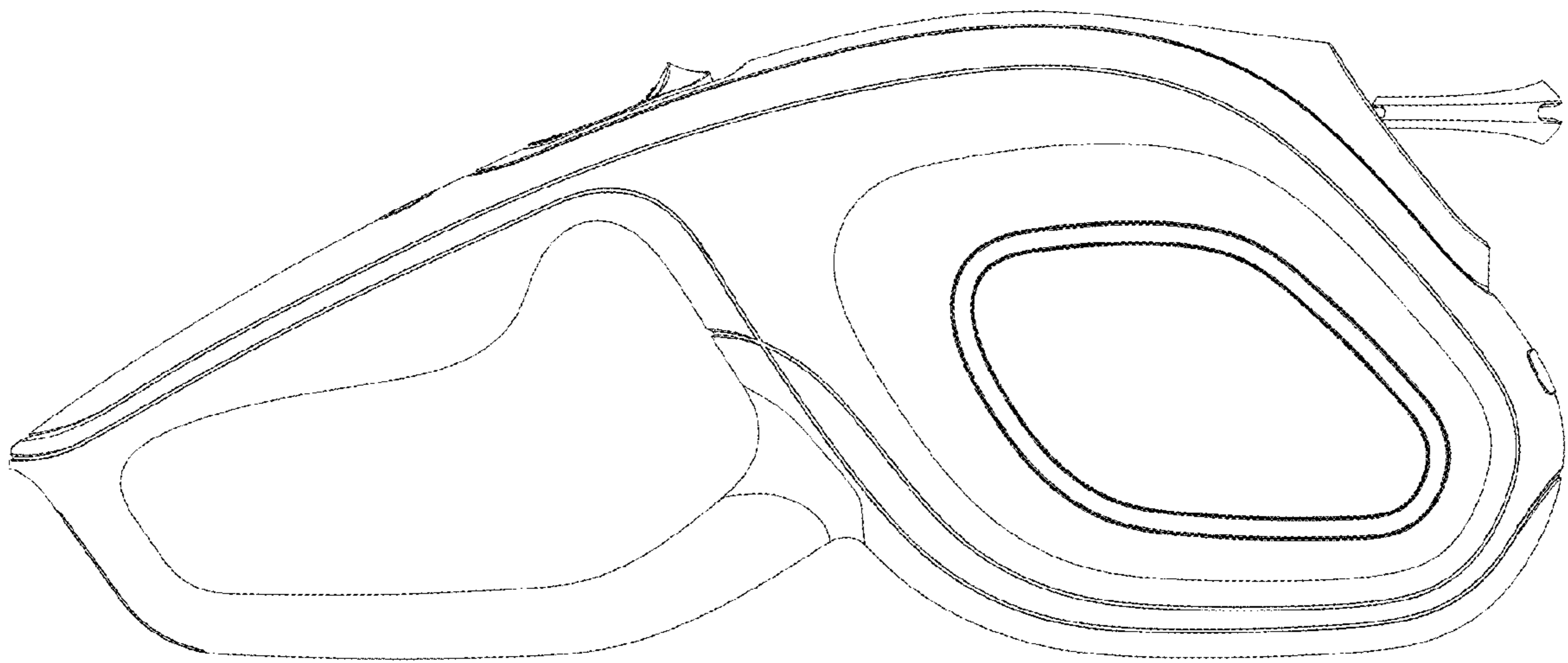


Fig. 2

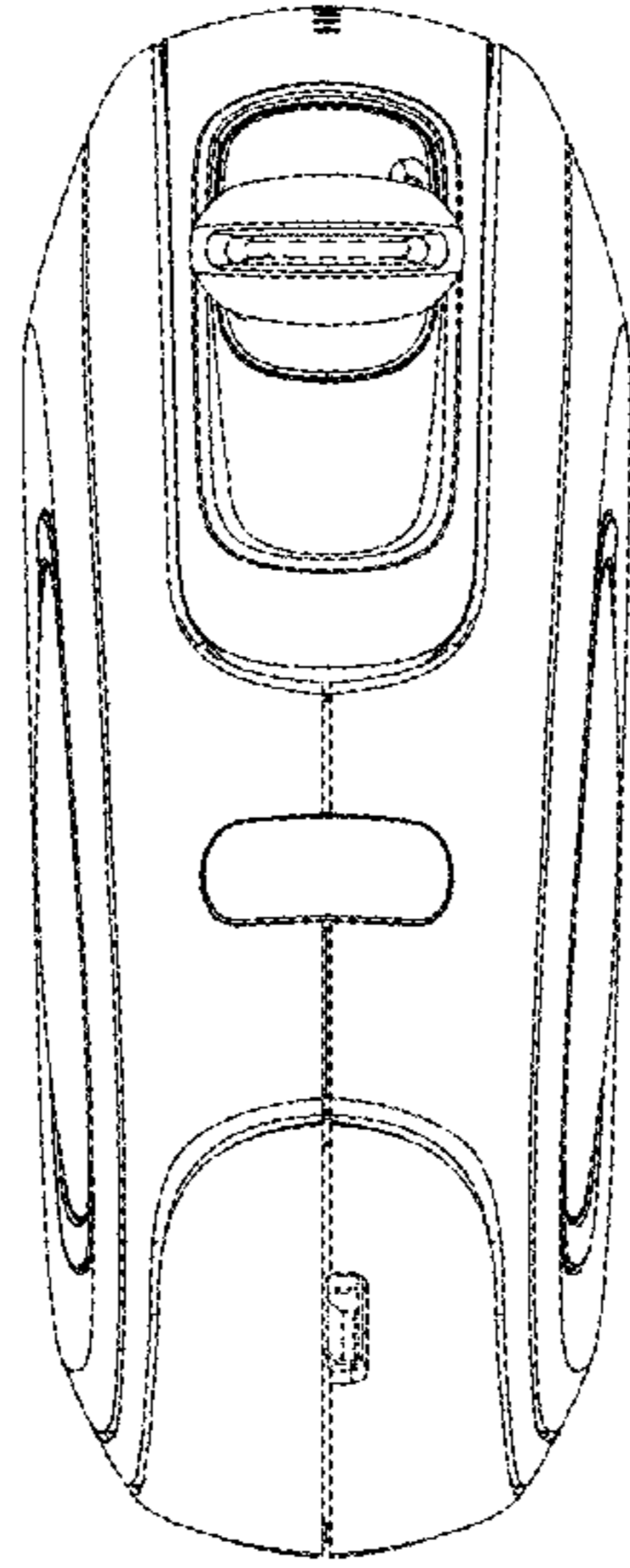


Fig. 3

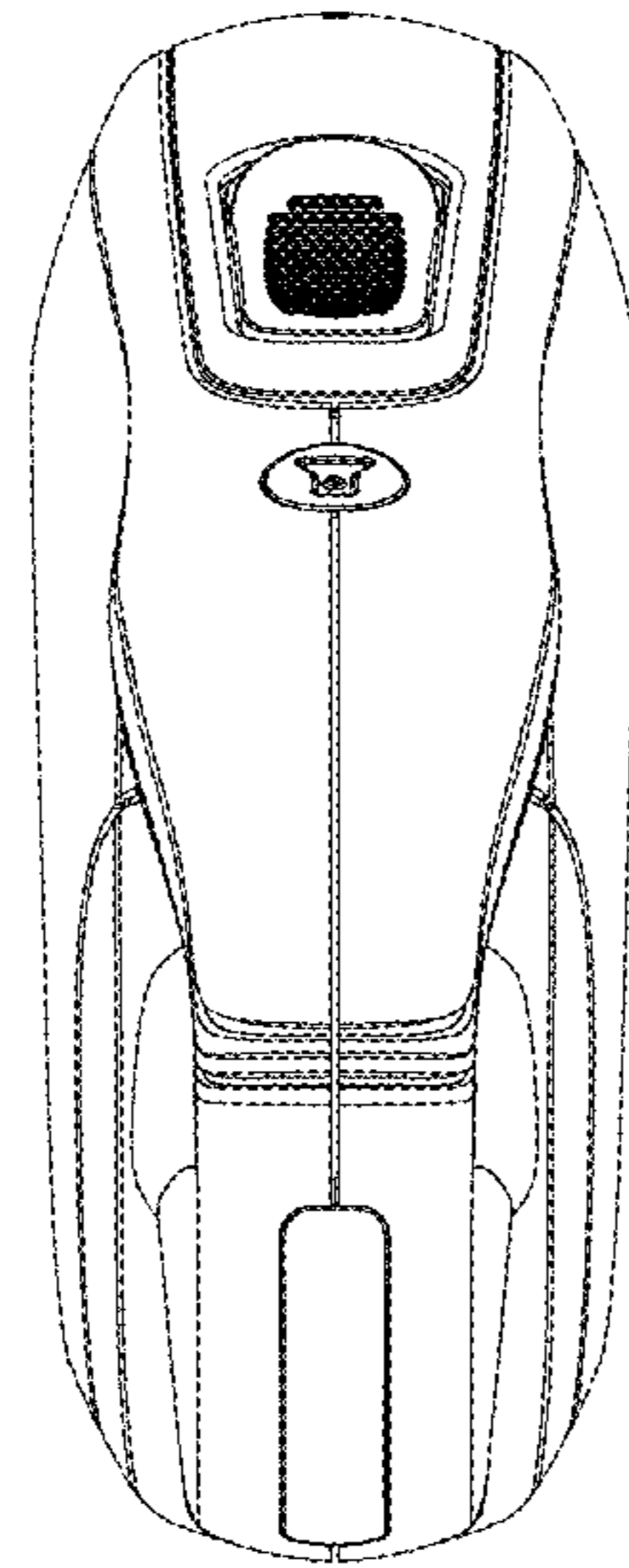


Fig. 4

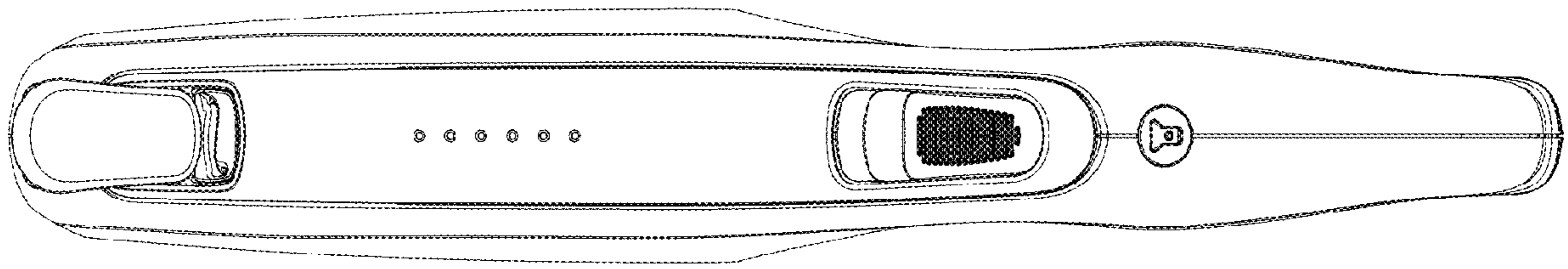


Fig. 5

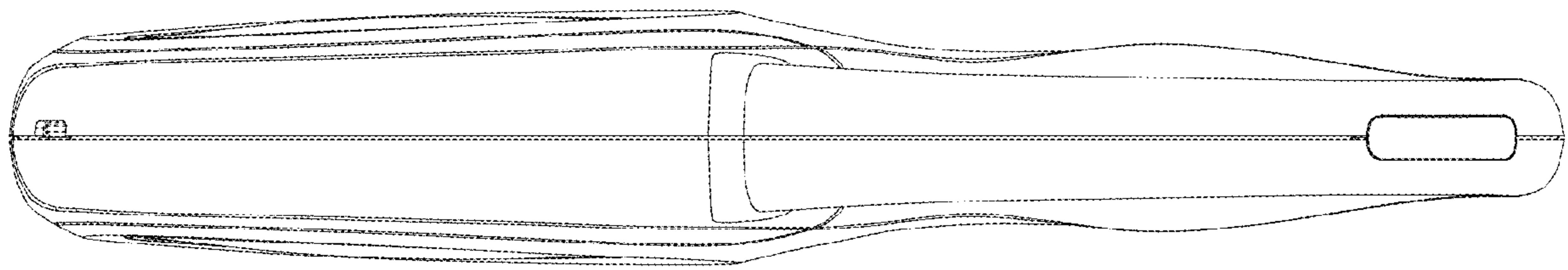


Fig. 6

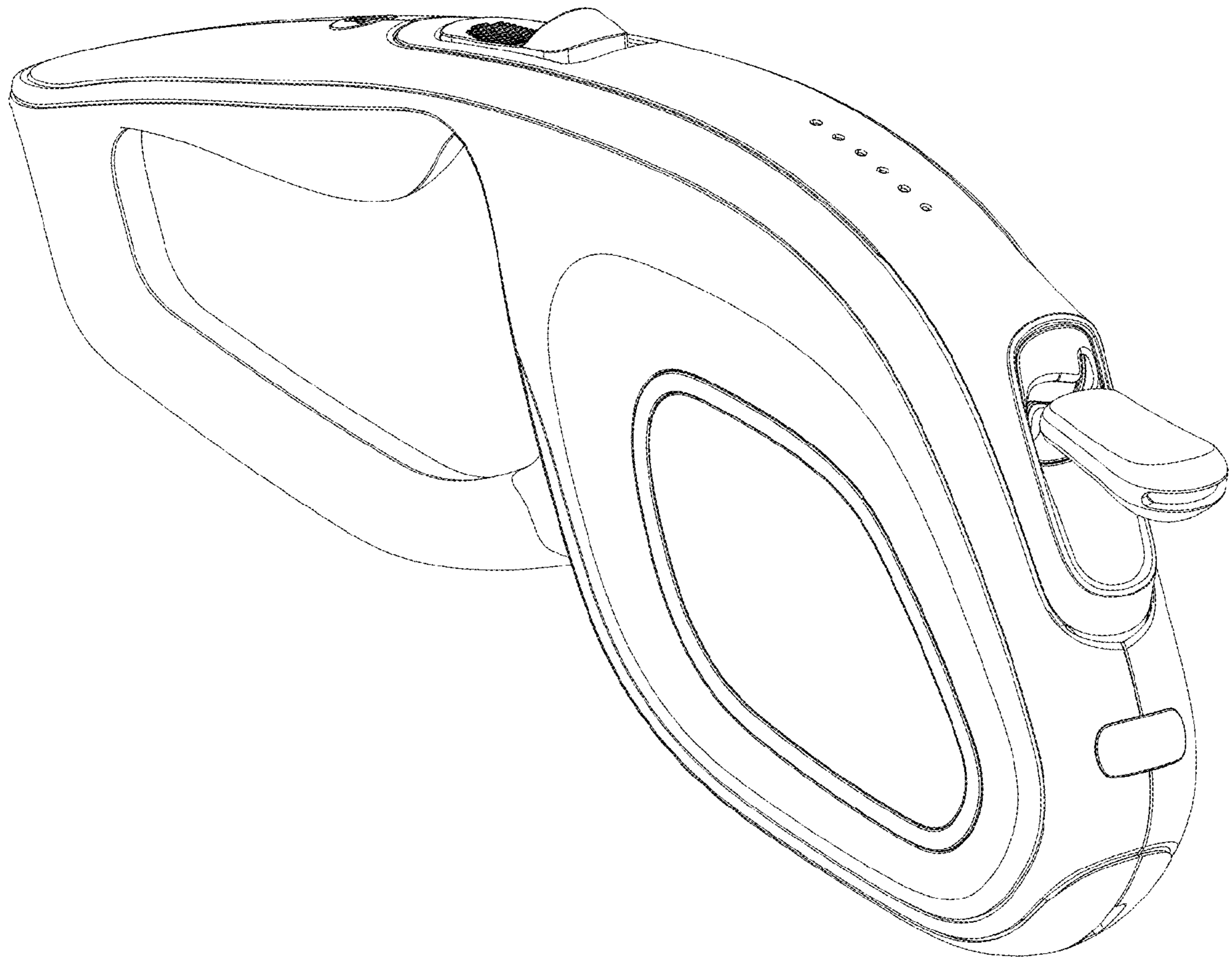


Fig. 7

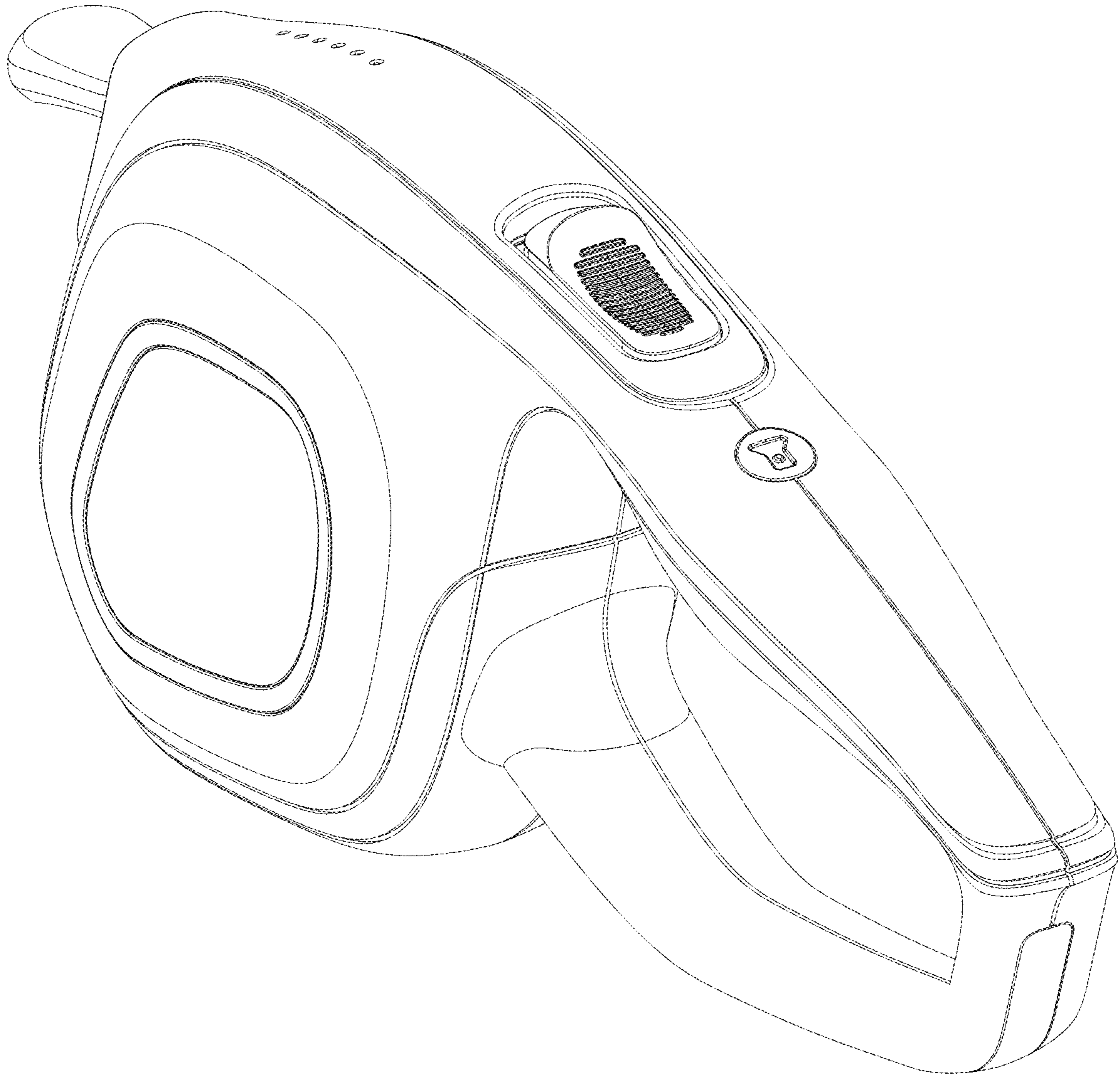


Fig. 8