



US00D882881S

(12) **United States Design Patent** (10) **Patent No.:** **US D882,881 S**  
**Gevaert** (45) **Date of Patent:** **\*\* Apr. 28, 2020**

(54) **FEEDER FOR ANIMALS**  
(71) Applicant: **MP GROUP NV**, Izegem (BE)  
(72) Inventor: **Sabine Gevaert**, Bredene (BE)  
(\*\*) Term: **15 Years**

D802,852 S \* 11/2017 Baker ..... D30/132  
2010/0050950 A1\* 3/2010 Graves ..... A01K 7/005  
119/81  
2012/0125263 A1\* 5/2012 Northrop ..... A01K 5/0114  
119/52.1  
2013/0269620 A1\* 10/2013 Qiu ..... A01K 5/0135  
119/56.1

(21) Appl. No.: **35/505,106**  
(22) Filed: **May 24, 2018**

**OTHER PUBLICATIONS**

Petmate Replendish Gravity Microban Dispenser on Amazon, reviewed Nov. 30, 2013, viewed online Apr. 12, 2019, available at URL: [https://www.amazon.com/Petmate-Replendish-Gravity-Microban-Dispenser/dp/B0057LAICM/ref=sr\\_1\\_83?keywords=pets+feeder&qid=1555090617&s=gateway&sr=8-83](https://www.amazon.com/Petmate-Replendish-Gravity-Microban-Dispenser/dp/B0057LAICM/ref=sr_1_83?keywords=pets+feeder&qid=1555090617&s=gateway&sr=8-83).\*

(80) **Hague Agreement Data**  
Int. Filing Date: **May 24, 2018**  
Int. Reg. No.: **DM/101408**  
Int. Reg. Date: **May 24, 2018**  
Int. Reg. Pub. Date: **Jun. 15, 2018**

\* cited by examiner

*Primary Examiner* — Jennifer L Watkins

(51) **LOC (12) Cl.** ..... **30-07**  
(52) **U.S. Cl.**  
USPC ..... **D30/121**  
(58) **Field of Classification Search**  
USPC ..... D30/121, 122, 128, 129, 130  
CPC .. A01K 5/0114; A01K 5/0135; A01K 5/0142;  
A01K 5/0291; A01K 7/00; A01K 7/02;  
A01K 7/005; A01K 5/0225; A01K 5/0128  
See application file for complete search history.

(57) **CLAIM**

The ornamental design for a feeder for animals, as shown and described.

(56) **References Cited**

**DESCRIPTION**

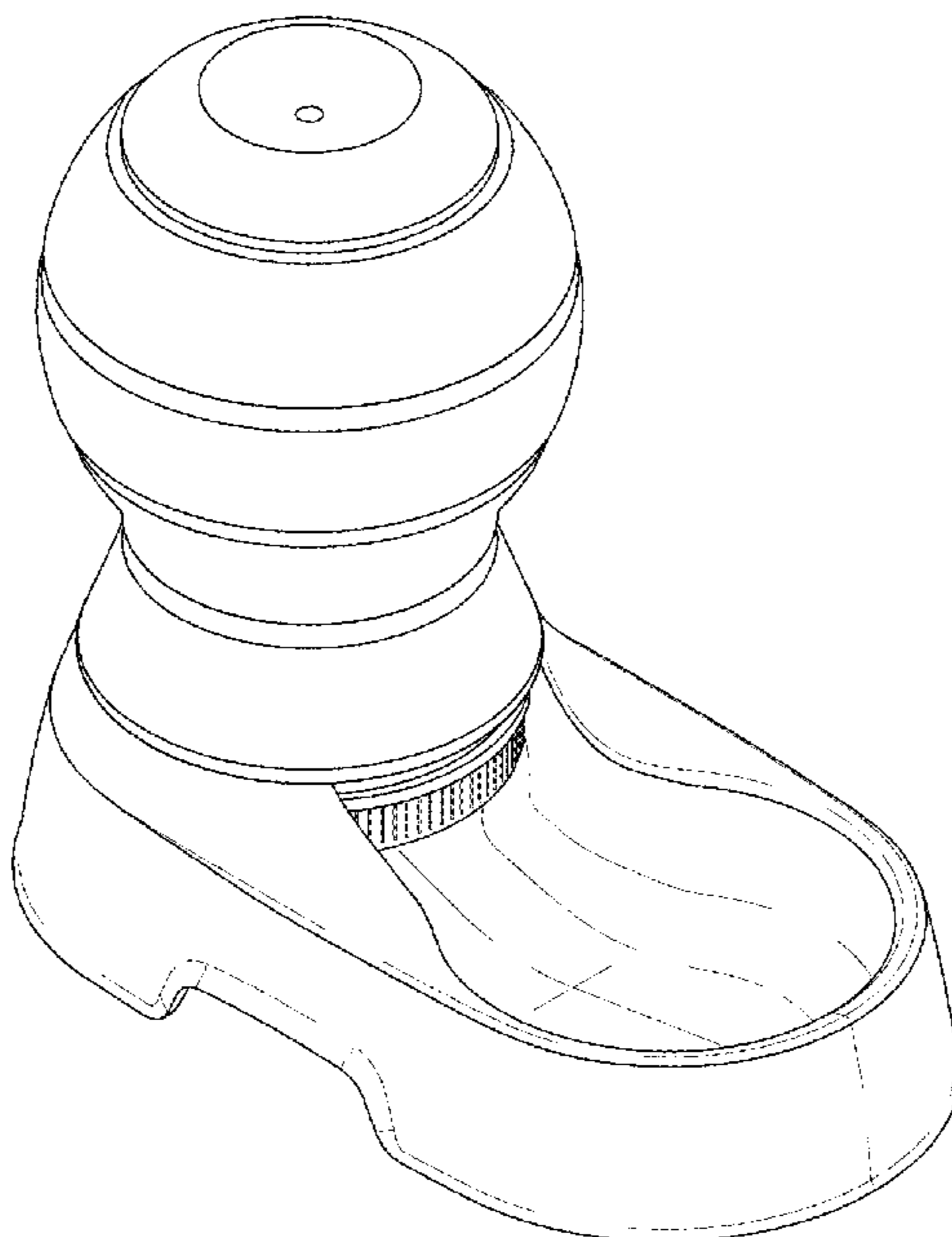
**U.S. PATENT DOCUMENTS**

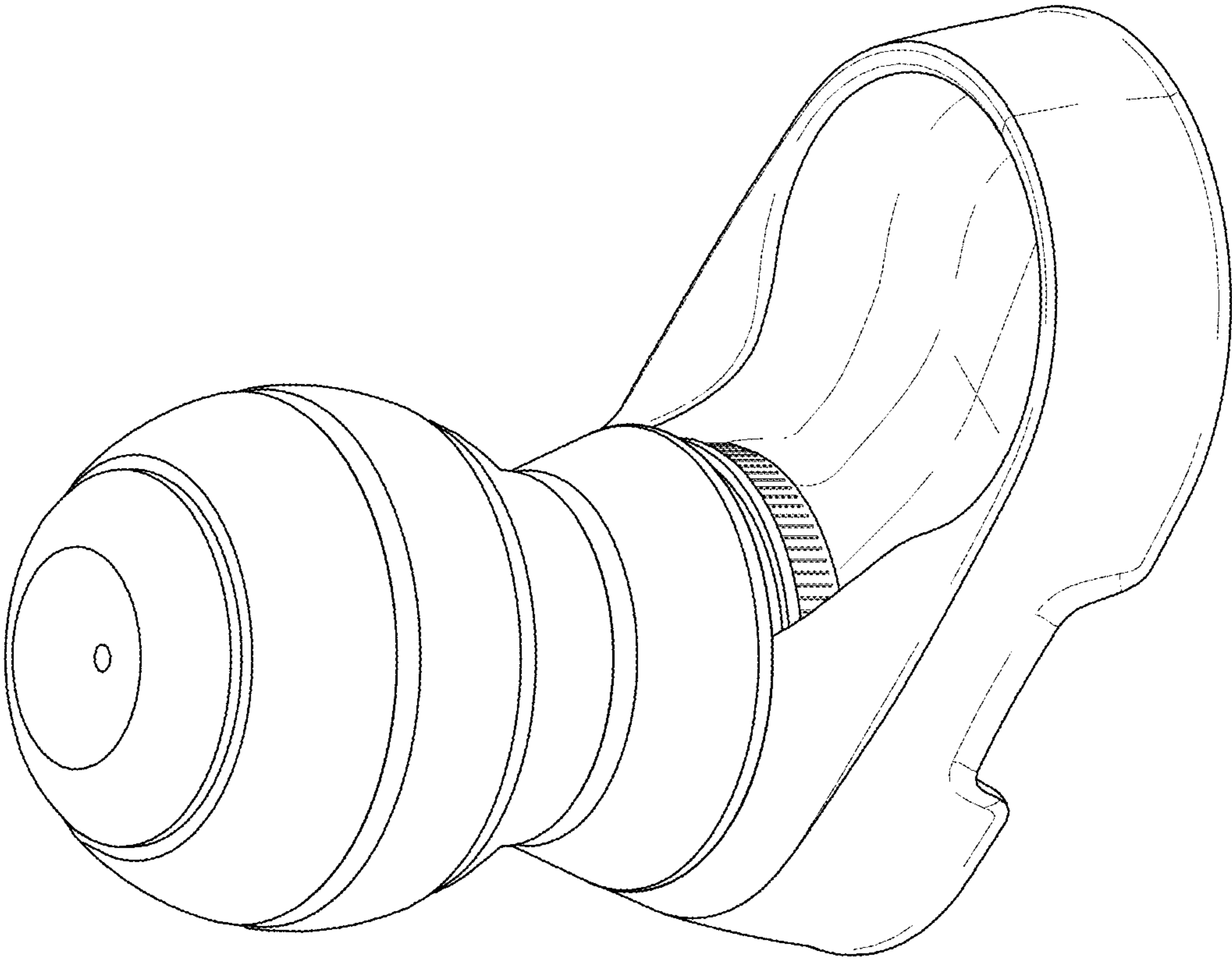
D406,924 S \* 3/1999 Kolozsvari ..... D30/121  
D406,926 S \* 3/1999 Kolozsvari ..... D30/132  
D563,605 S \* 3/2008 Morris ..... D30/121  
D655,053 S \* 2/2012 Weber ..... D30/121  
D678,624 S \* 3/2013 Willett ..... A01K 7/00  
D30/121  
8,448,603 B2\* 5/2013 Northrop ..... A01K 5/0135  
119/61.54  
D703,392 S \* 4/2014 Desberg ..... D30/121

- 1. Feeder for animals
- 1.1 : Perspective
- 1.2 : Perspective
- 1.3 : Top
- 1.4 : Left
- 1.5 : Front

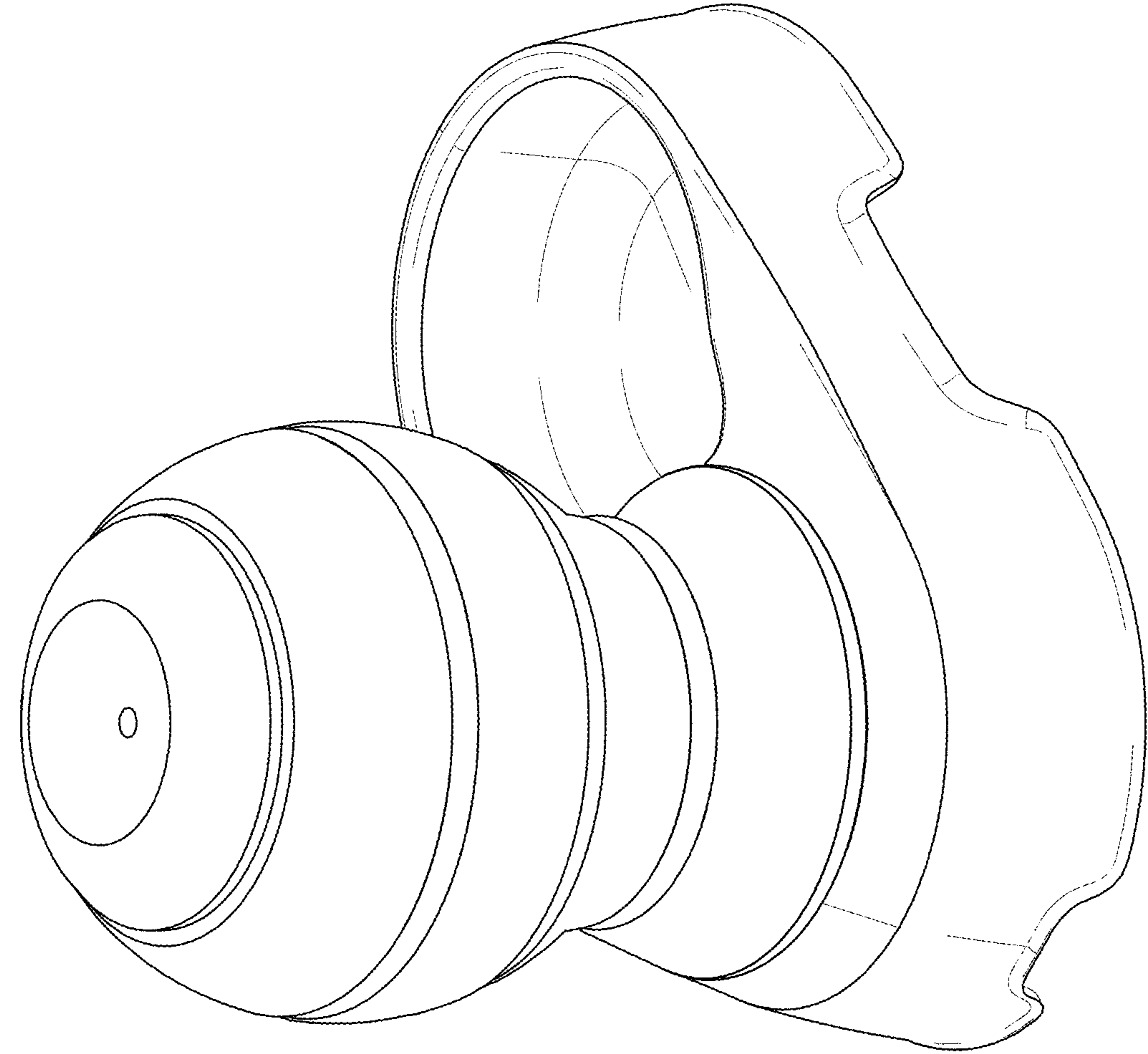
The broken lines in the drawings depict portions of the feeder for animals that form no part of the claimed design.

**1 Claim, 5 Drawing Sheets**

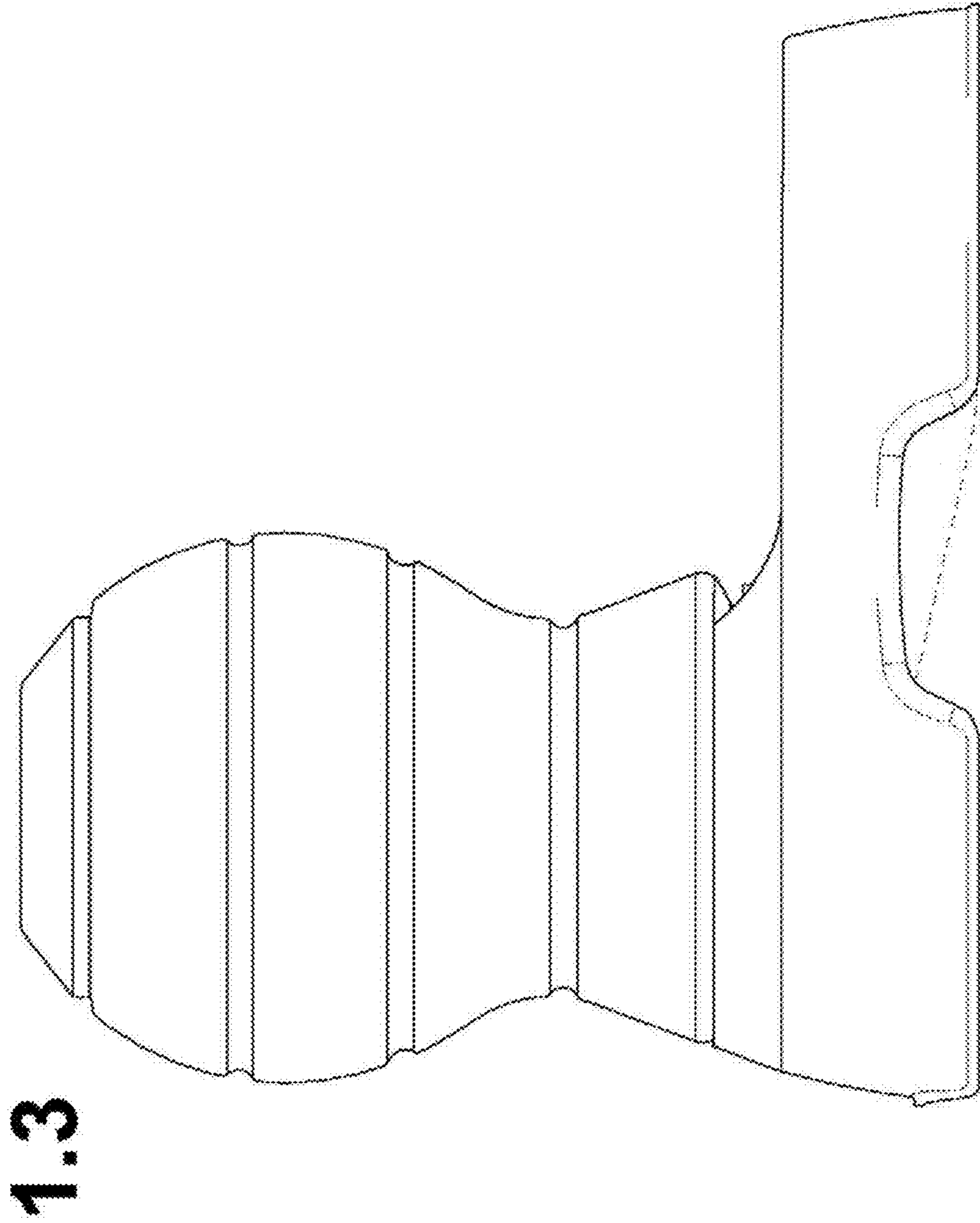


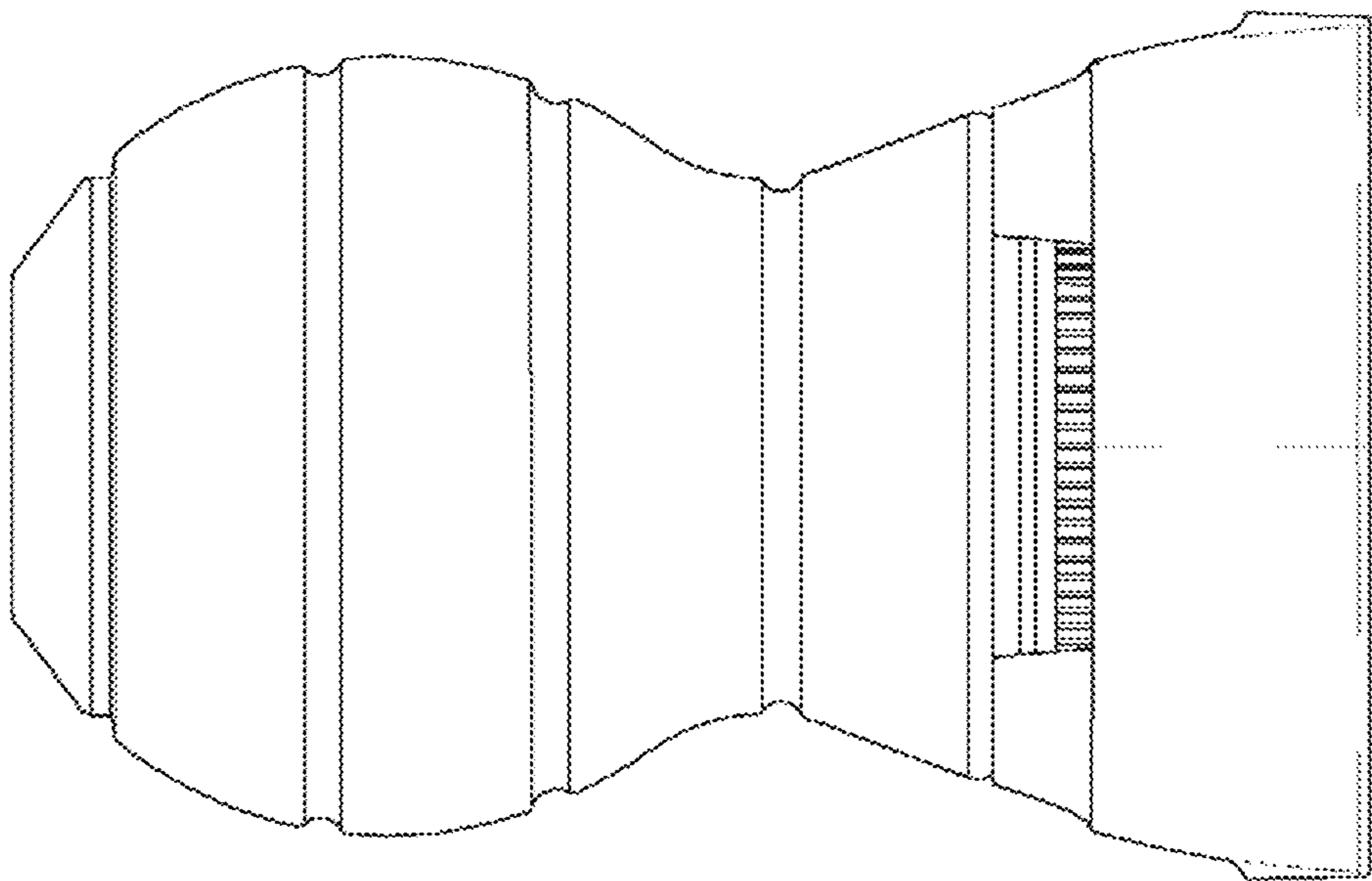


1.1



1.2





1.4

1.5

