



US00D882878S

(12) **United States Design Patent**
Berggren et al.

(10) **Patent No.:** **US D882,878 S**
(45) **Date of Patent:** **** Apr. 28, 2020**

(54) **TASK LIGHT PROTECTION PLATE FOR A WELDING HELMET**

(71) Applicant: **3M INNOVATIVE PROPERTIES COMPANY**, St. Paul, MN (US)

(72) Inventors: **Martin A. J. M. Berggren**, Tällberg (SE); **Oskar E. Juhlin**, Gustavsberg (SE)

(73) Assignee: **3M INNOVATIVE PROPERTIES COMPANY**, St. Paul, MN (US)

(**) Term: **15 Years**

(21) Appl. No.: **29/642,916**

(22) Filed: **Apr. 3, 2018**

Related U.S. Application Data

(63) Continuation of application No. 29/618,738, filed on Sep. 22, 2017, now abandoned.

(51) **LOC (12) Cl.** **29-02**

(52) **U.S. Cl.**
USPC **D29/122**

(58) **Field of Classification Search**
USPC D29/108–110, 102–107, 122;
D24/110.1–110.3; D8/310–311, 313;
D26/38, 51, 24, 39; D2/866
CPC A62B 18/006; A62B 18/045; A62B 18/08;
A62B 18/04; A62B 18/082; A62B 18/02;
A62B 18/00; A62B 7/10; A42B 3/288;
A42B 3/225; A42B 3/286
See application file for complete search history.

(56) **References Cited**

U.S. PATENT DOCUMENTS

1,337,036 A * 4/1920 Bergmann A61F 9/027
2/12
D205,179 S 7/1966 Miller

4,825,878 A * 5/1989 Kuntz A41D 13/11
128/207.11
5,302,815 A * 4/1994 Eggenschwiler A61F 9/067
2/8.8
D360,058 S 7/1995 Reede
D361,396 S 8/1995 Bruckler
6,185,739 B1 * 2/2001 Verkic A61F 9/06
2/8.1
D597,709 S * 8/2009 Juhlin D29/122
D604,911 S * 11/2009 Juhlin D29/122
D659,911 S * 5/2012 Zeppetbauer D29/122
D669,994 S * 10/2012 Bembridge D24/200
D702,847 S * 4/2014 Arsenault D24/206
8,990,963 B2 * 3/2015 Matthews A61F 9/061
2/8.2
9,271,871 B2 * 3/2016 Wright A61F 9/064
D762,317 S 7/2016 Ormsbee et al.
D769,542 S * 10/2016 Patel D29/122
D781,507 S * 3/2017 Huh D29/122
D781,508 S * 3/2017 Huh D29/122
D834,761 S * 11/2018 Berggren D29/122
D840,606 S * 2/2019 Berggren D29/122

(Continued)

Primary Examiner — Elizabeth J Oswecki

(74) *Attorney, Agent, or Firm* — Johannes P. M. Kusters

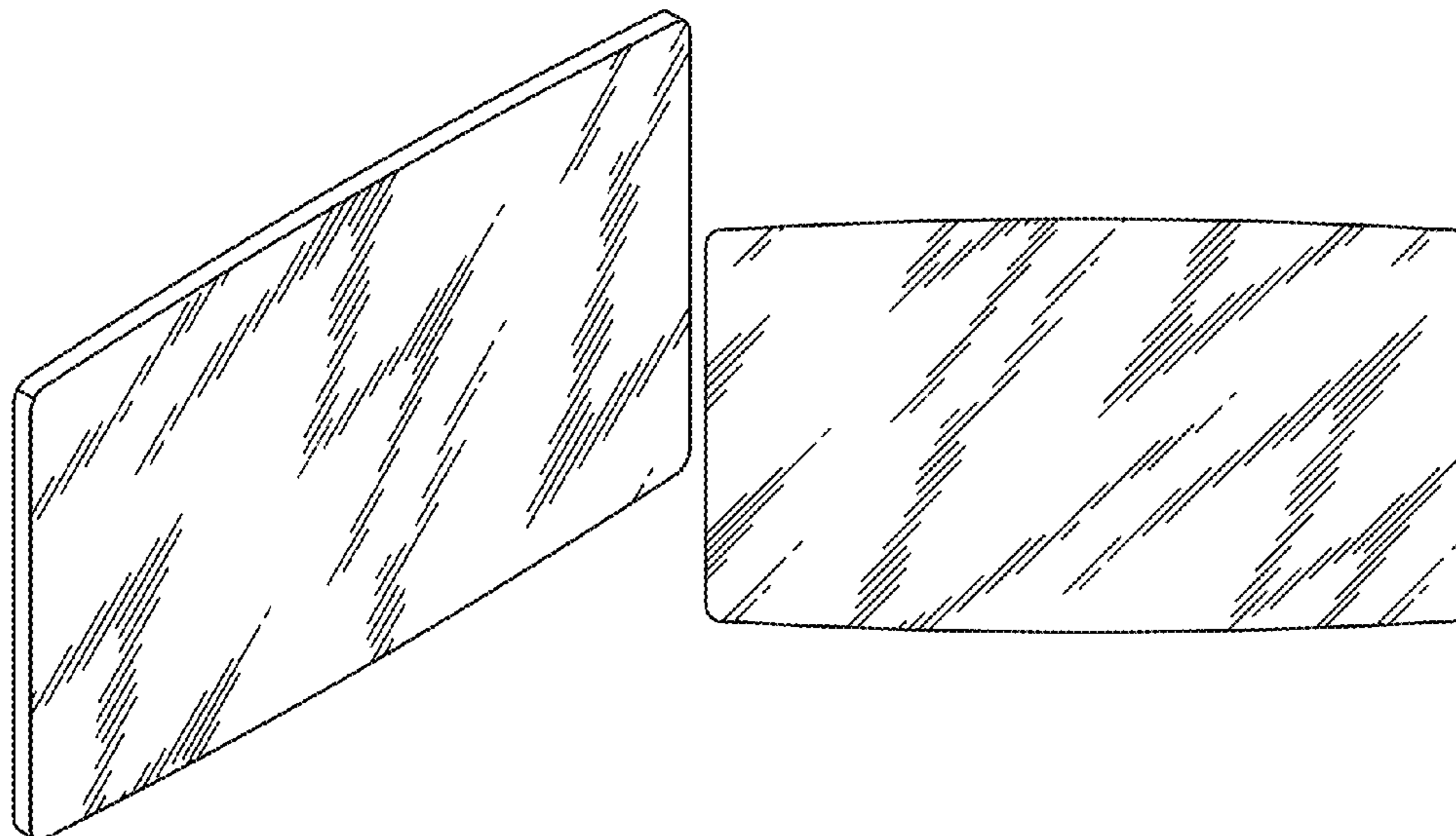
(57) **CLAIM**

The ornamental design for a task light protection plate for a welding helmet, as shown and described.

DESCRIPTION

FIG. 1 is a perspective view of a task light protection plate for a welding helmet showing our new design;
FIG. 2 is a front view thereof;
FIG. 3 is a back view thereof;
FIG. 4 is a left side view thereof;
FIG. 5 is a right side view thereof;
FIG. 6 is a top view thereof; and,
FIG. 7 is a bottom view thereof.

1 Claim, 1 Drawing Sheet



(56)

References Cited

U.S. PATENT DOCUMENTS

D854,255 S * 7/2019 Bastman D29/122
D866,128 S * 11/2019 McCann D2/891
2003/0135911 A1* 7/2003 Wang-Lee A61F 9/064
2/169
2008/0060102 A1* 3/2008 Matthews A61F 9/061
2/8.2
2011/0101890 A1* 5/2011 Robinson F21K 9/65
315/320

* cited by examiner

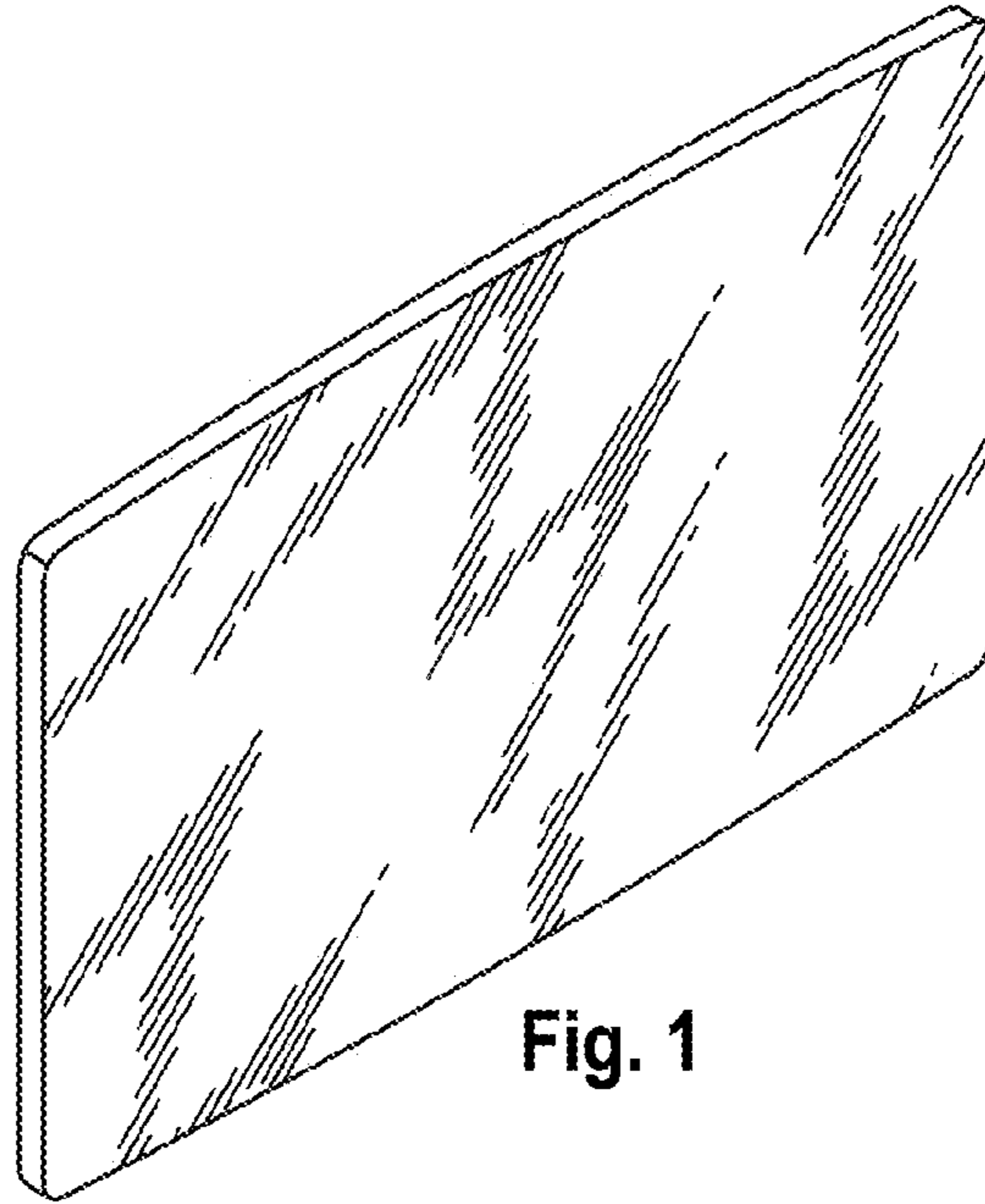


Fig. 1

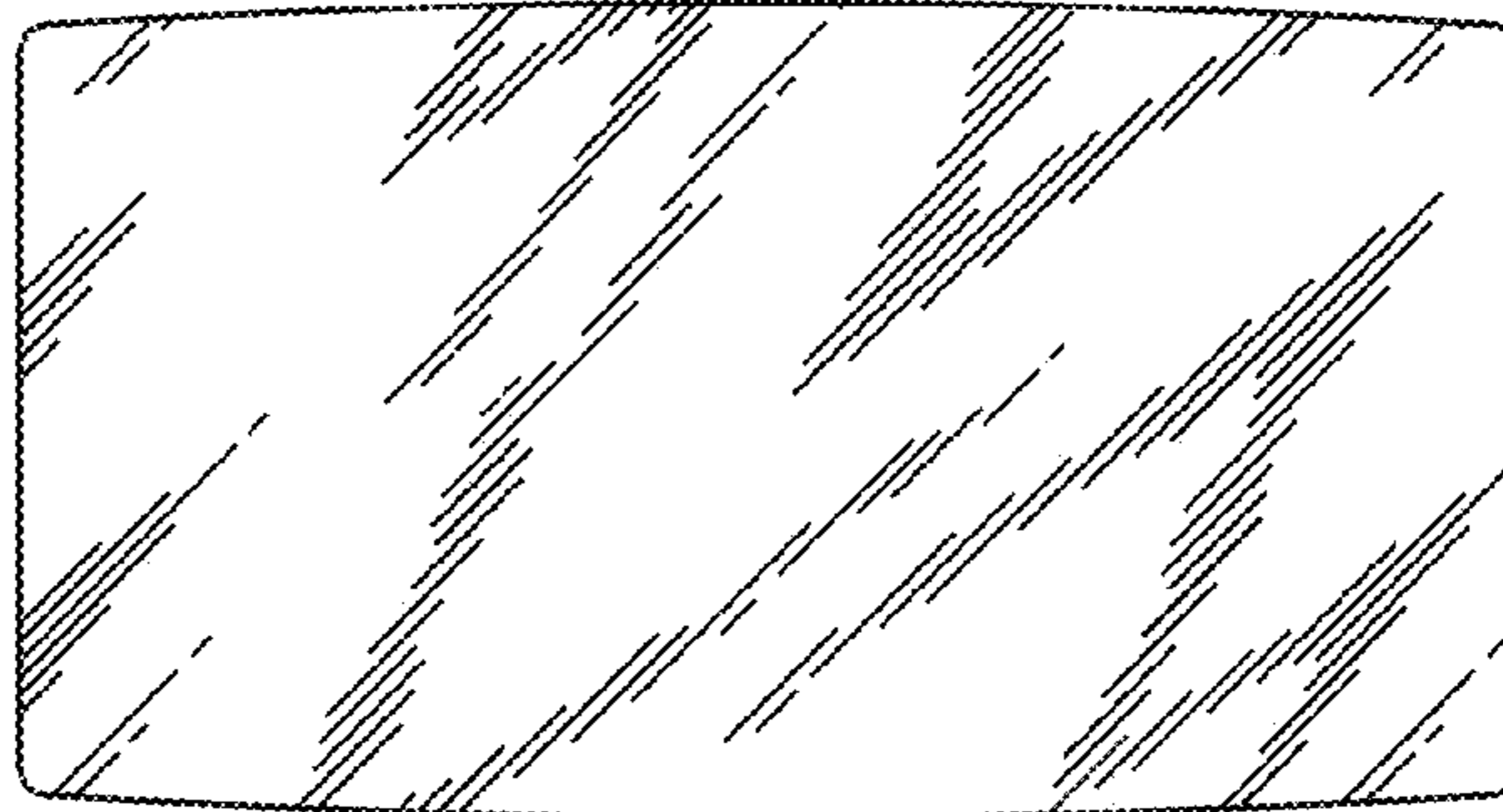


Fig. 2



Fig. 4

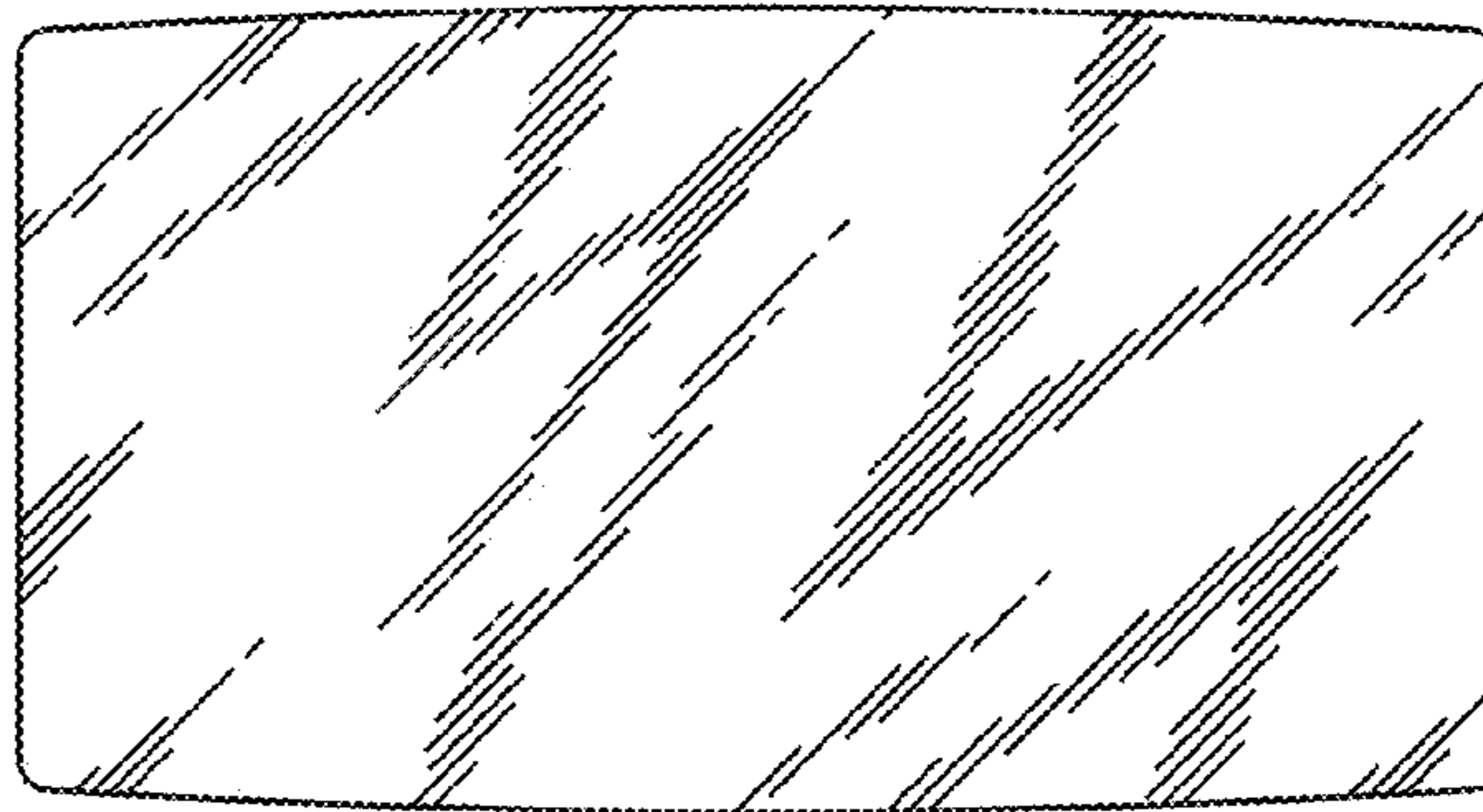


Fig. 3



Fig. 5



Fig. 6

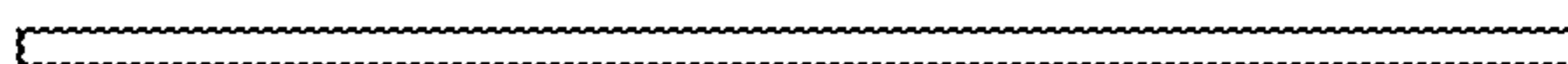


Fig. 7