



US00D882877S

(12) **United States Design Patent** (10) **Patent No.:** **US D882,877 S**
Lin (45) **Date of Patent:** **** Apr. 28, 2020**

(54) **LIPSTICK CASE**
(71) Applicant: **LIBO COSMETICS CO., LTD.**,
Lukang Township (TW)
(72) Inventor: **Hsiao-Yun Lin**, Lukang Township
(TW)
(73) Assignee: **Libo Cosmetics Co., Ltd.**, Lukang
Township, Changhua County (TW)

(**) Term: **15 Years**

(21) Appl. No.: **29/671,589**

(22) Filed: **Nov. 28, 2018**

(51) **LOC (12) Cl.** **28-03**

(52) **U.S. Cl.**
USPC **D28/89**; D9/552

(58) **Field of Classification Search**
USPC D28/7, 85, 88, 89, 76-84; D9/503, 504,
D9/502, 565, 569, 568, 552, 729, 727
CPC A45D 33/00; A45D 33/003; A45D 33/005;
A45D 33/006; A45D 33/18; A45D 33/20;
A45D 33/22; A45D 33/24; A45D 40/00;
A45D 40/02-10; A45D 40/22-222; A45D
2040/0012; A45D 2040/0025; A45D
40/24

See application file for complete search history.

(56) **References Cited**

U.S. PATENT DOCUMENTS

D117,276 S * 10/1939 Jung D28/89
D369,069 S * 4/1996 Husted D7/679
D536,138 S * 1/2007 Py D28/76
D580,597 S * 11/2008 Mascotte D28/76
D616,151 S * 5/2010 Kojima D19/916
D692,206 S * 10/2013 Slusarczyk D1/125
D697,411 S * 1/2014 Stern D9/516
D730,617 S * 6/2015 Slusarczyk D1/125

D739,081 S * 9/2015 James D28/76
D770,096 S * 10/2016 Medioni D28/76
D868,588 S * 12/2019 Walbroel D9/552

OTHER PUBLICATIONS

Swirl lip gloss tube, www.claire.com, 1 page, downloaded Dec. 16,
2019.*

* cited by examiner

Primary Examiner — Jennifer Rivard

(74) *Attorney, Agent, or Firm* — Muncy, Geissler, Olds &
Lowe, P.C.

(57) **CLAIM**

The ornamental design for a lipstick case, as shown and
described.

DESCRIPTION

FIG. 1 is a perspective view of a lipstick case showing my
design;
FIG. 2 is a top plan view thereof;
FIG. 3 is a bottom plan view thereof;
FIG. 4 is a right side elevational view thereof;
FIG. 5 is a left side elevational view thereof;
FIG. 6 is a front elevational view thereof;
FIG. 7 is a rear elevational view thereof;
FIG. 8 is an exploded perspective view thereof;
FIG. 9 is a perspective view of an alternate embodiment of
the lipstick is case showing my design;
FIG. 10 is a top plan view thereof;
FIG. 11 is a bottom plan view thereof;
FIG. 12 is a right side elevational view thereof;
FIG. 13 is a left side elevational view thereof;
FIG. 14 is a front elevational view thereof;
FIG. 15 is a rear elevational view thereof; and,
FIG. 16 is an exploded perspective view thereof.
The broken lines depicting the remainder of the lipstick case
show features that form no part of the claimed design.

1 Claim, 16 Drawing Sheets



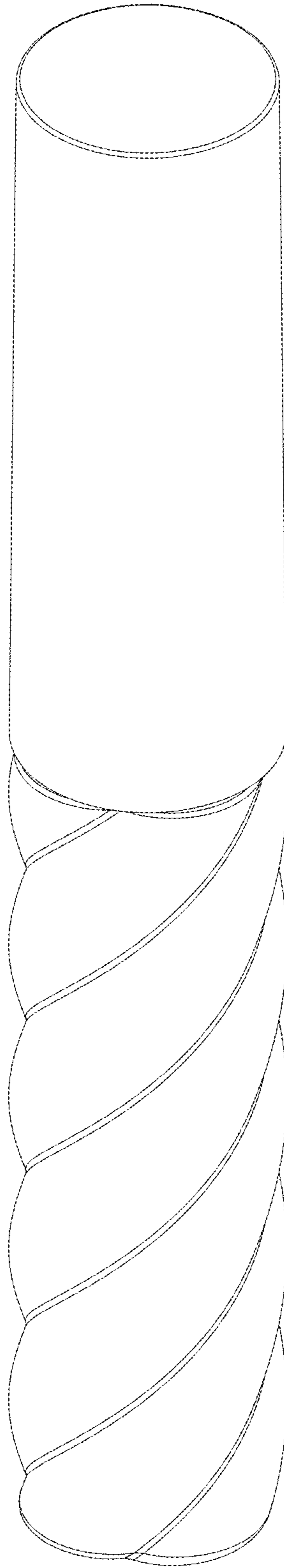


FIG. 1

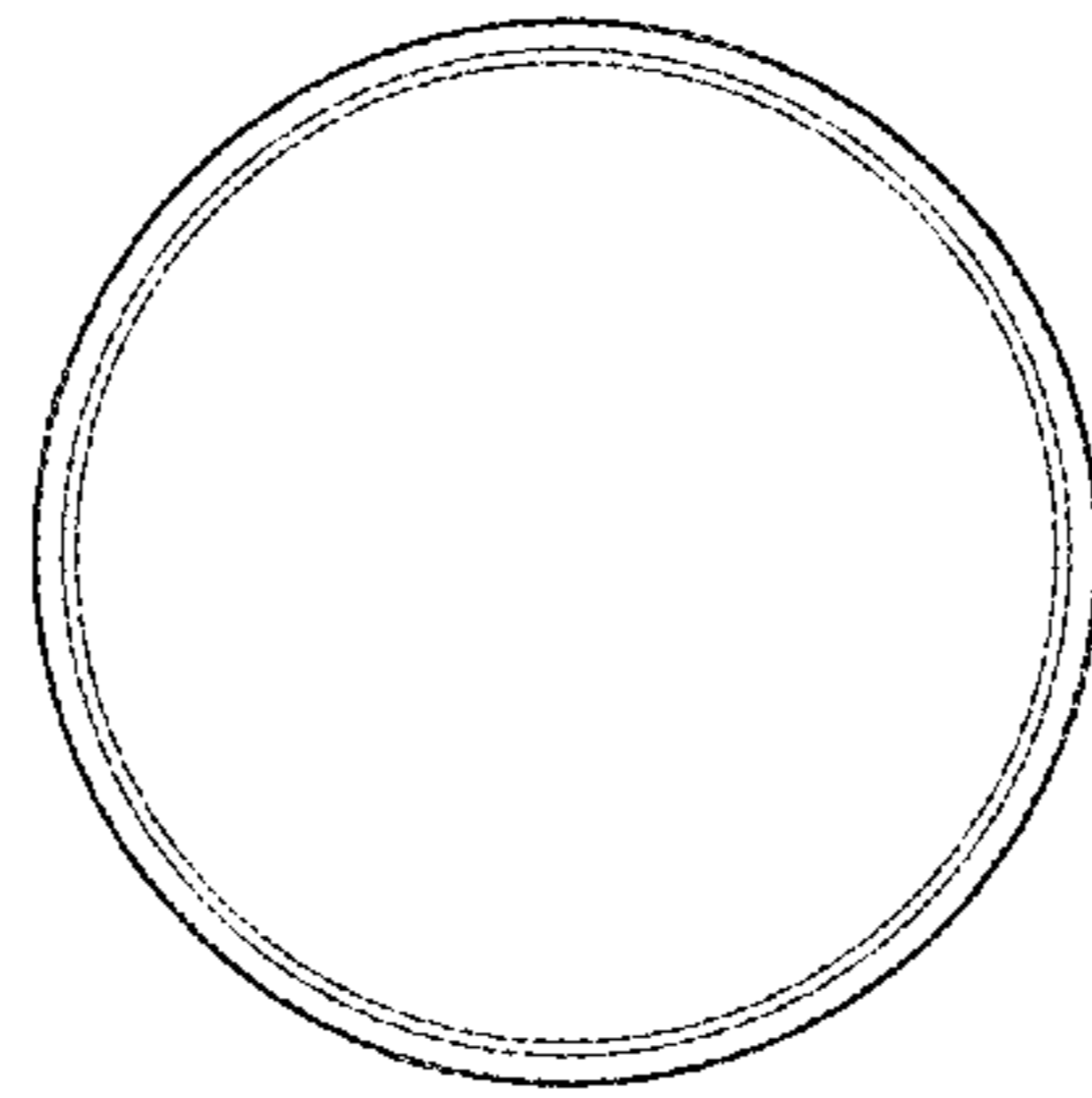


FIG. 2

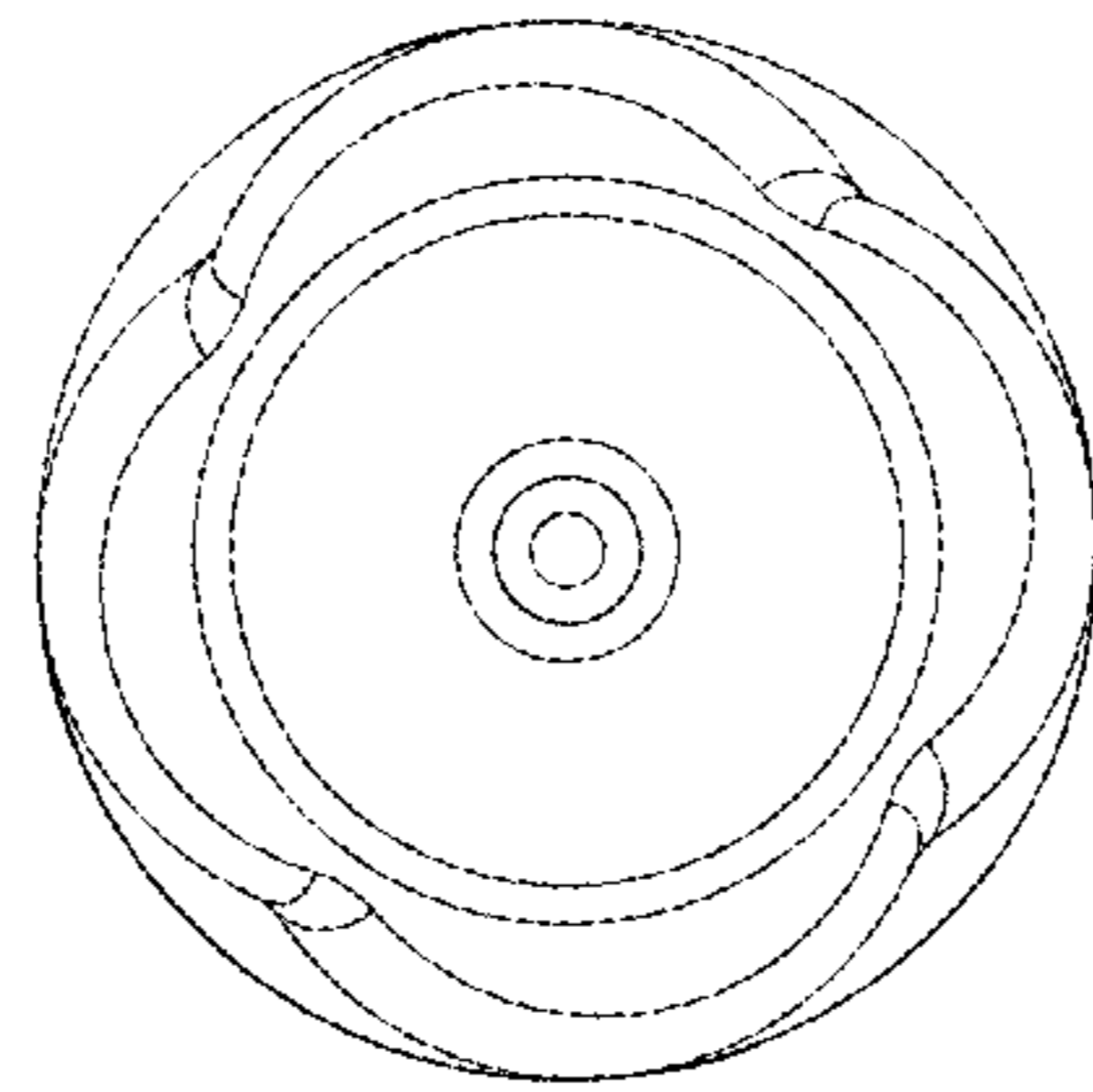


FIG. 3

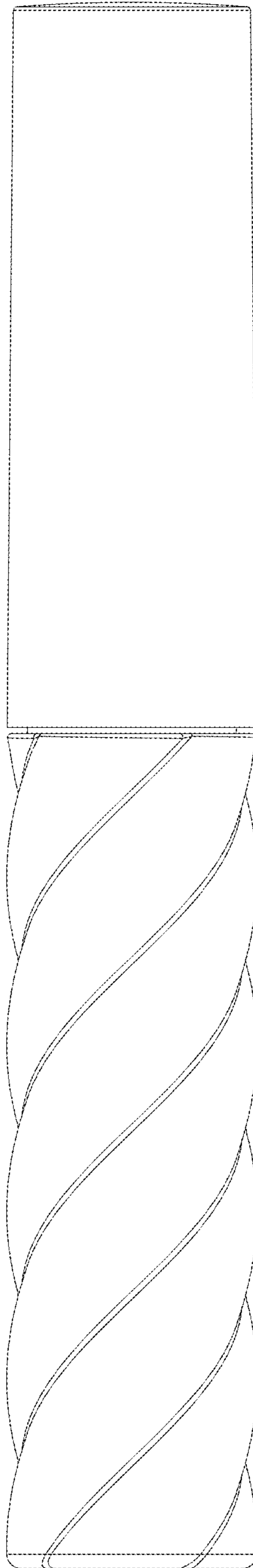


FIG. 4

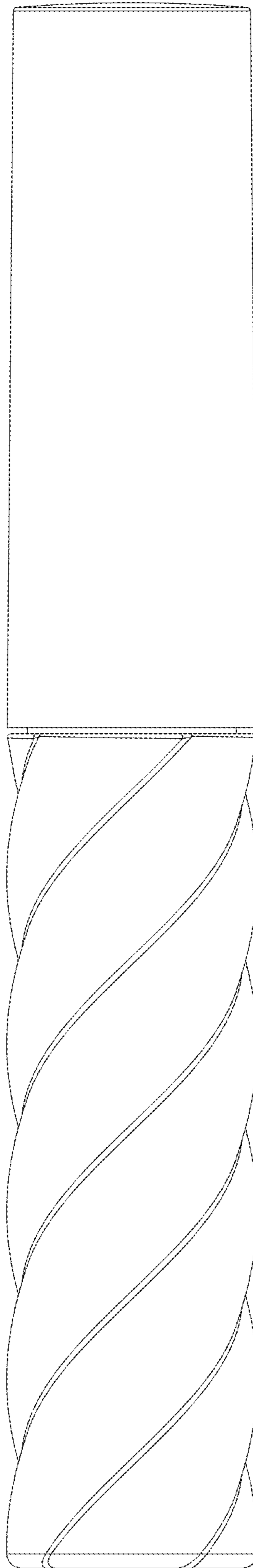


FIG. 5

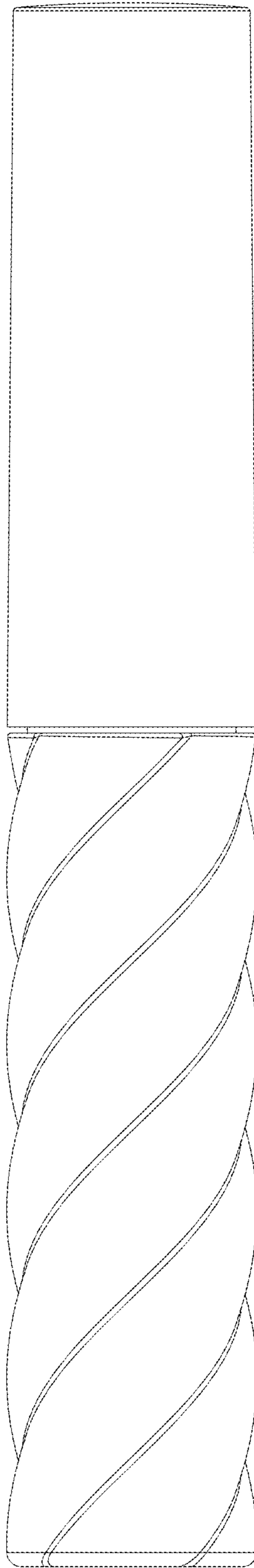


FIG. 6

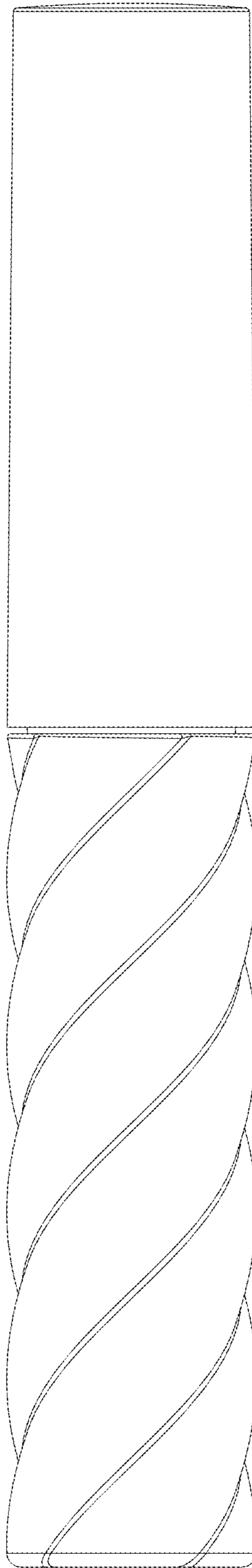


FIG. 7

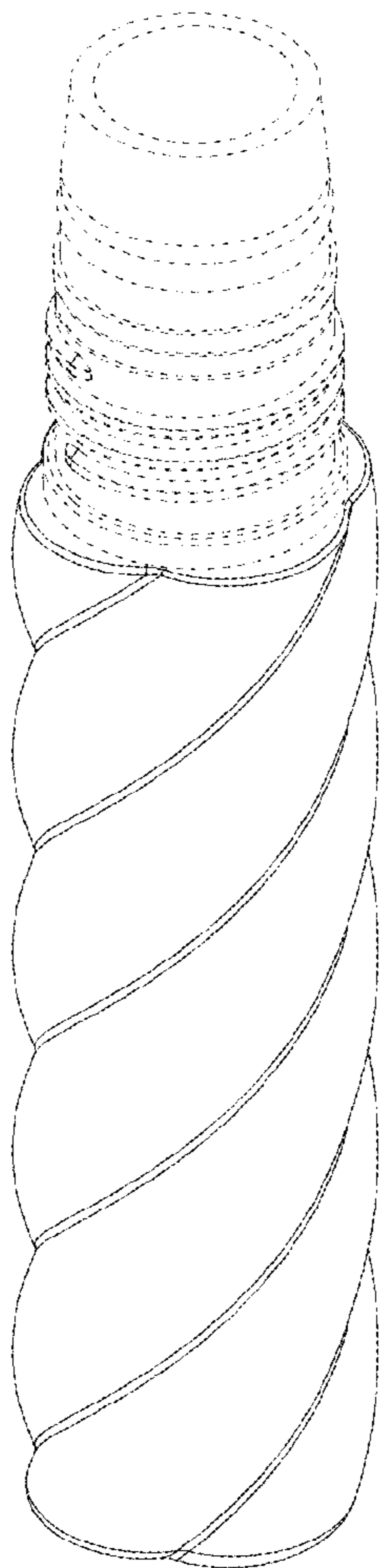
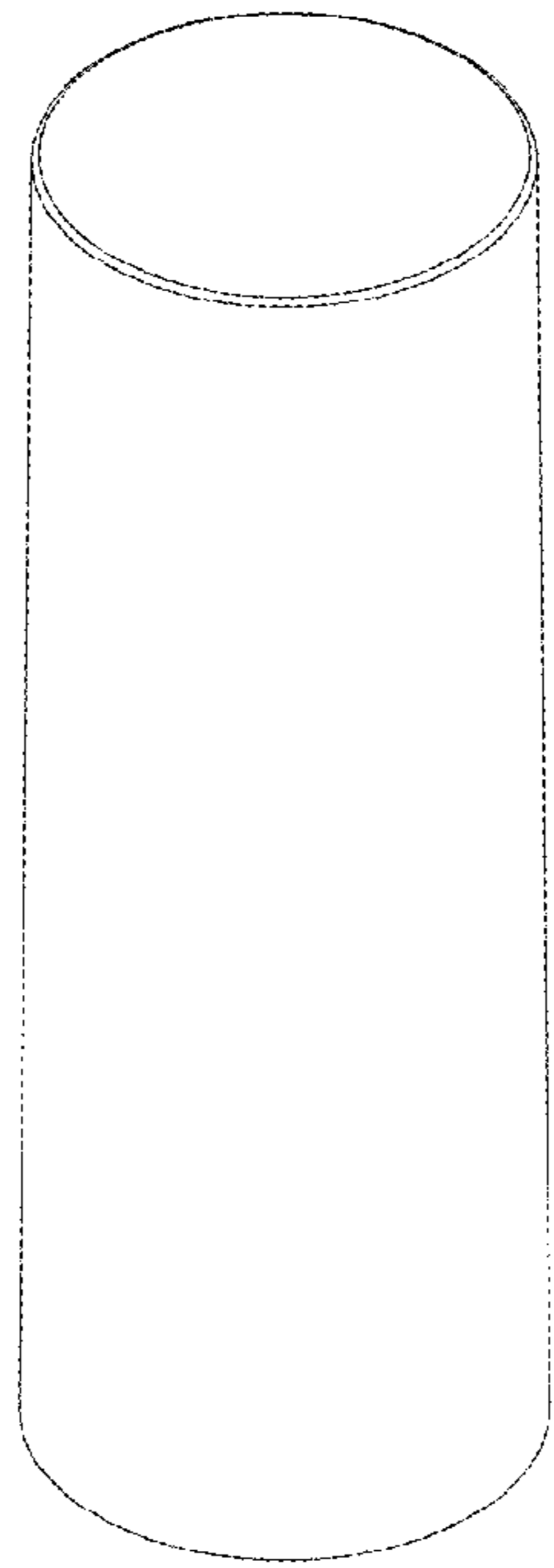


FIG. 8

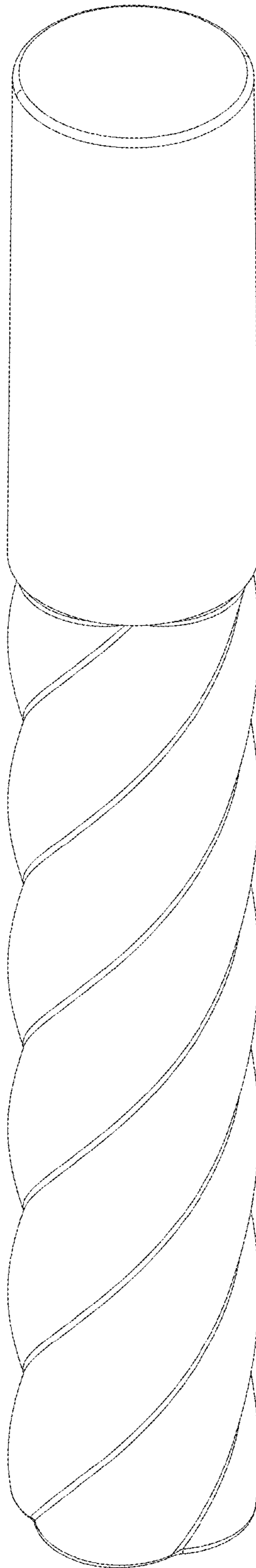


FIG. 9

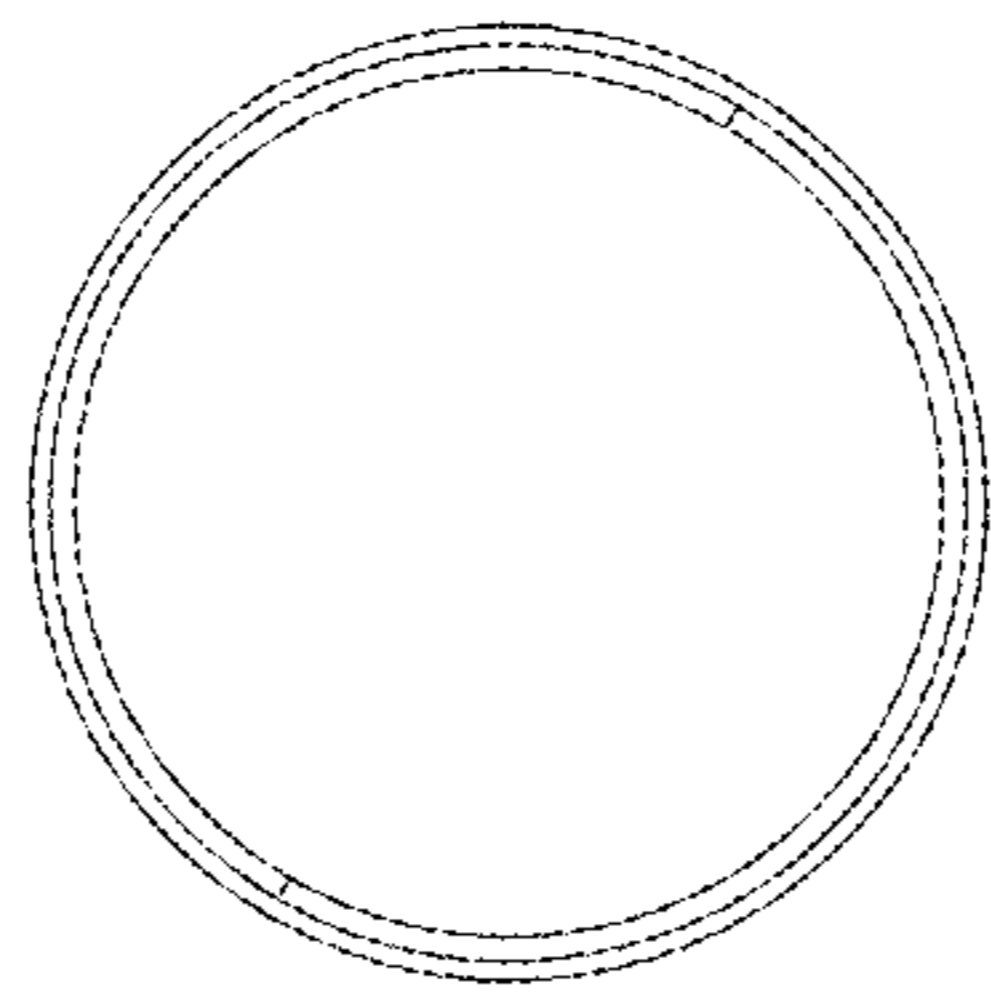


FIG. 10

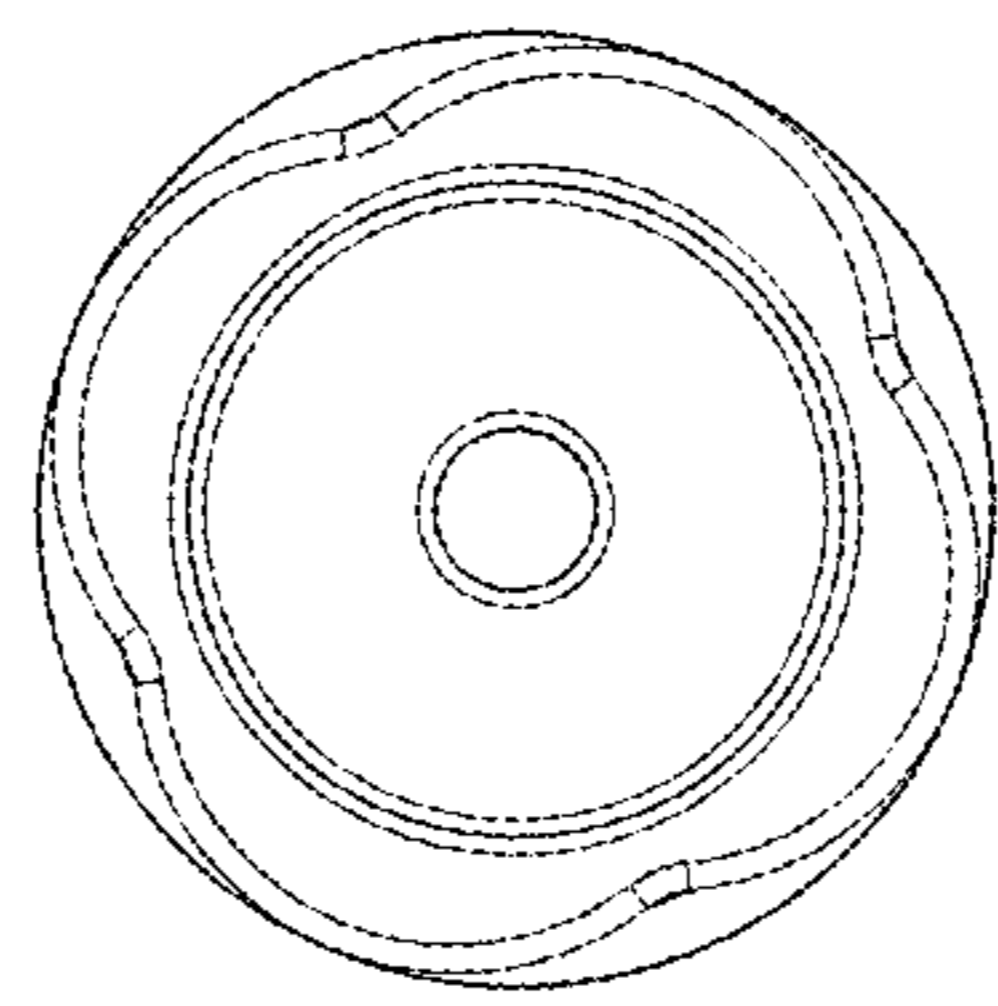


FIG. 11

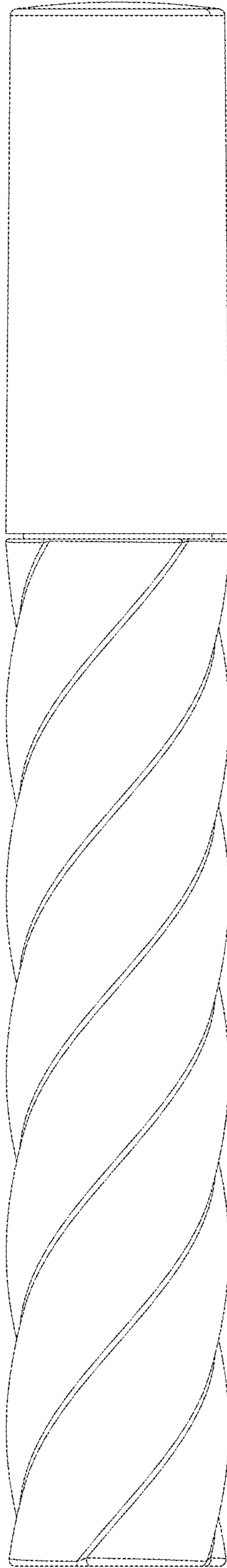


FIG. 12

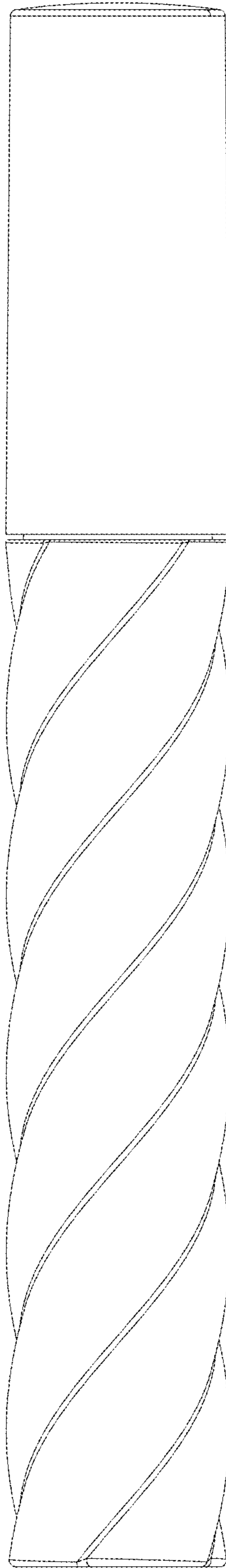


FIG. 13

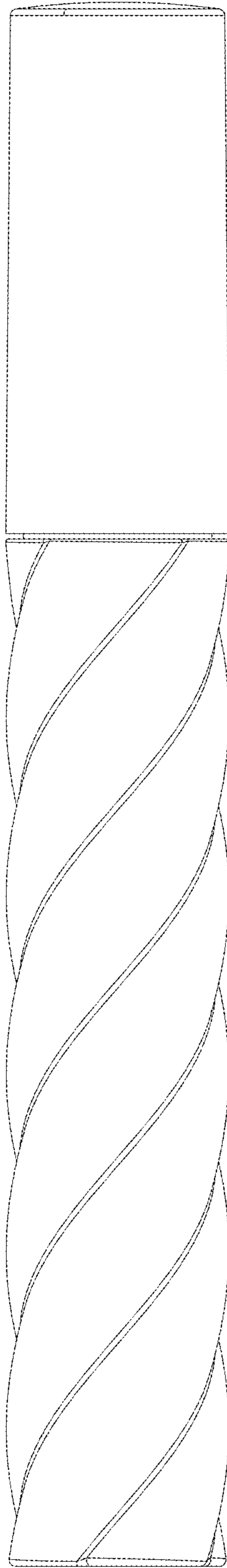


FIG. 14

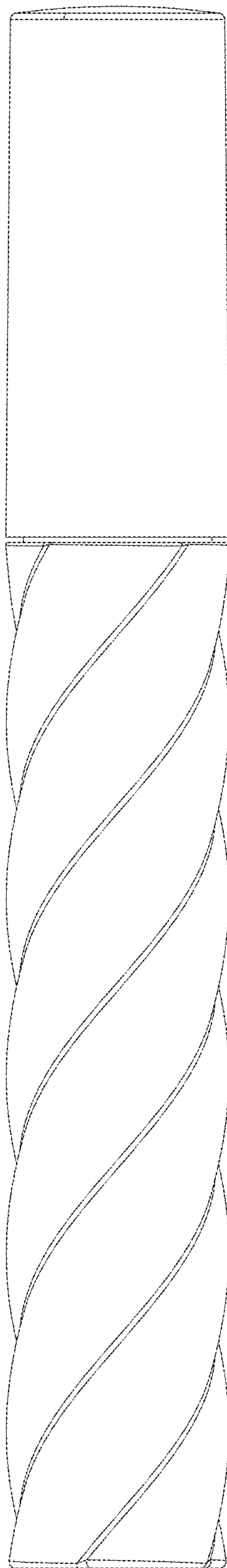


FIG. 15

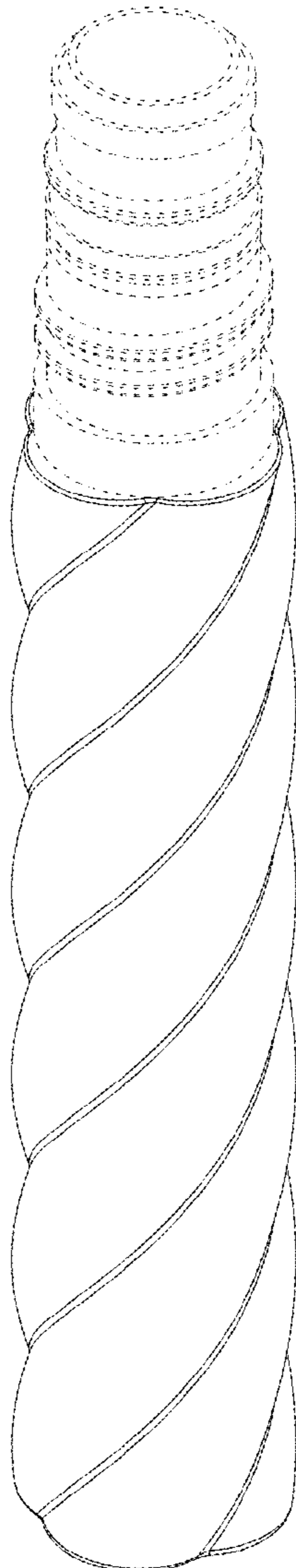
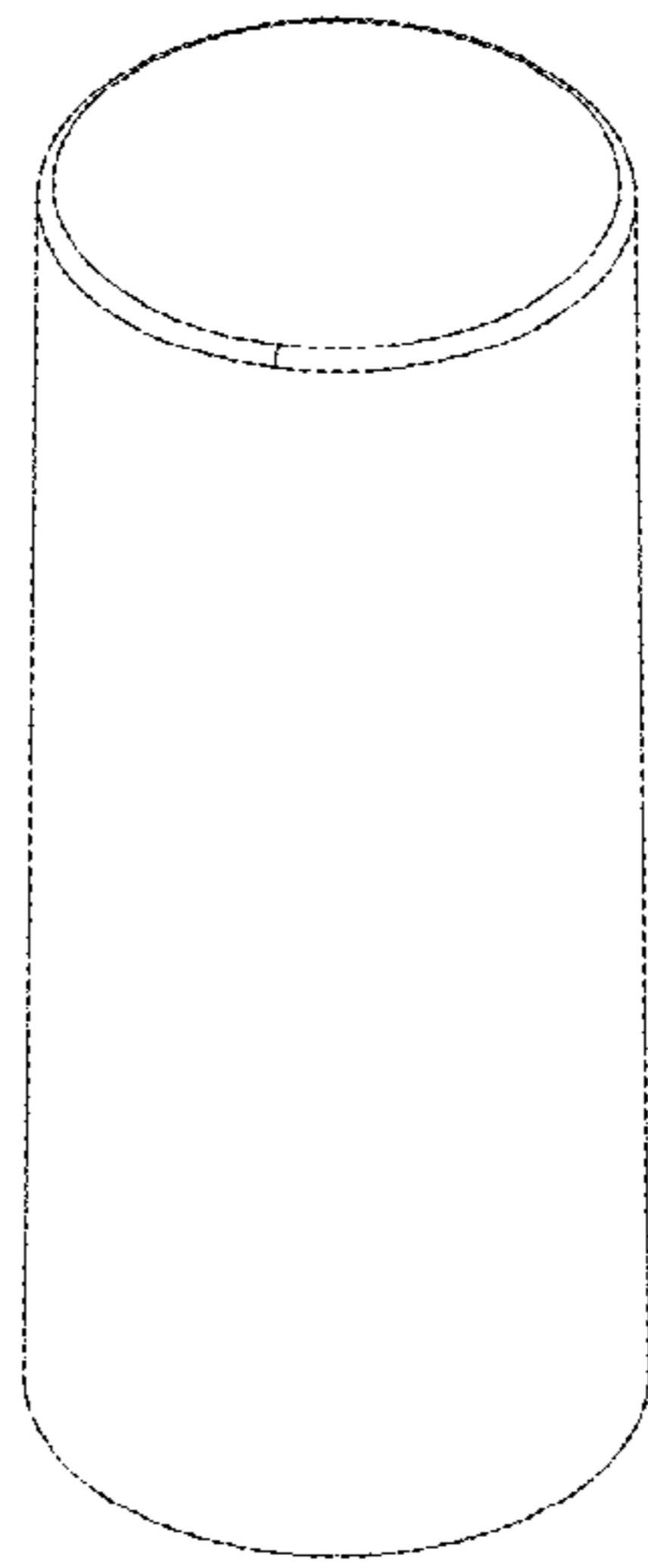


FIG. 16