



US00D882876S

(12) **United States Design Patent**  
**Yang**

(10) **Patent No.:** **US D882,876 S**  
(45) **Date of Patent:** **\*\* Apr. 28, 2020**

(54) **CONTAINER FOR CLEANING A COSMETIC BRUSH**

(71) Applicant: **Guangdong Global Egrow (Zhaoqing) Cross-Border E-Commerce Co., Ltd., Guangdong (CN)**

(72) Inventor: **Jing Yang, Shanxi (CN)**

(73) Assignee: **Guangdong Global Egrow (Zhaoqing) Cross-Border E-Commerce Co., Ltd., Guangdong (CN)**

(\*\*) Term: **15 Years**

(21) Appl. No.: **29/653,300**

(22) Filed: **Jun. 14, 2018**

(51) **LOC (12) Cl.** ..... **28-03**

(52) **U.S. Cl.**  
USPC ..... **D28/73**

(58) **Field of Classification Search**  
USPC ..... D28/9, 13, 18-19, 35, 73, 76-84, 99;  
D9/414, 424, 426, 428, 430, 529, 530,  
D9/531, 549, 738, 748; D7/586, 587,  
D7/600.1-600.4, 647, 667, 672, 704;  
D32/35, 53  
CPC .. A47B 81/00; A47G 29/08; A45D 2033/001;  
A45D 33/003; A45D 33/006-008; A45D  
33/22; A45D 33/24; A45D 33/26; A45D  
33/28; A45D 34/00; A45D 34/06; A47F  
5/08

See application file for complete search history.

(56) **References Cited**

**U.S. PATENT DOCUMENTS**

D222,375 S \* 10/1971 Bencik ..... D7/523  
D651,467 S \* 1/2012 Bodum ..... D7/509  
8,978,194 B1 \* 3/2015 Lentine ..... A47L 13/58  
15/260  
D753,957 S \* 4/2016 Yamaguchi ..... D7/412  
D757,497 S \* 5/2016 Bodum ..... D7/509

D803,001 S \* 11/2017 Bodum ..... D7/523  
D806,478 S \* 1/2018 Struggl ..... D7/523  
D818,658 S \* 5/2018 Pellereau ..... D32/35  
2012/0318307 A1 \* 12/2012 Talarico ..... A46B 17/06  
134/105  
2014/0096801 A1 \* 4/2014 McCormick ..... B08B 11/02  
134/115 R  
2017/0119145 A1 \* 5/2017 Munoz ..... A46B 17/065

**OTHER PUBLICATIONS**

Luxe Makeup Brush Cleaner, Luxe, reviewed on Jan. 13, 2017, retrieved on Aug. 26, 2019, retrieved from the Internet URL: [https://www.amazon.com/Luxe-Makeup-Brush-Cleaner-Adjustable/dp/B01MT6H91G/ref=sr\\_1\\_4?crd=3AU6UCM72CR9W&keywords=electric+makeup+brush+cleaner&qid=1566830629&s=gateway&prefix=electric+make%2Caps%2C23.\\*](https://www.amazon.com/Luxe-Makeup-Brush-Cleaner-Adjustable/dp/B01MT6H91G/ref=sr_1_4?crd=3AU6UCM72CR9W&keywords=electric+makeup+brush+cleaner&qid=1566830629&s=gateway&prefix=electric+make%2Caps%2C23.*)

\* cited by examiner

*Primary Examiner* — Jennifer Rivard  
*Assistant Examiner* — Alison M Ofstun  
(74) *Attorney, Agent, or Firm* — JCIPRNET

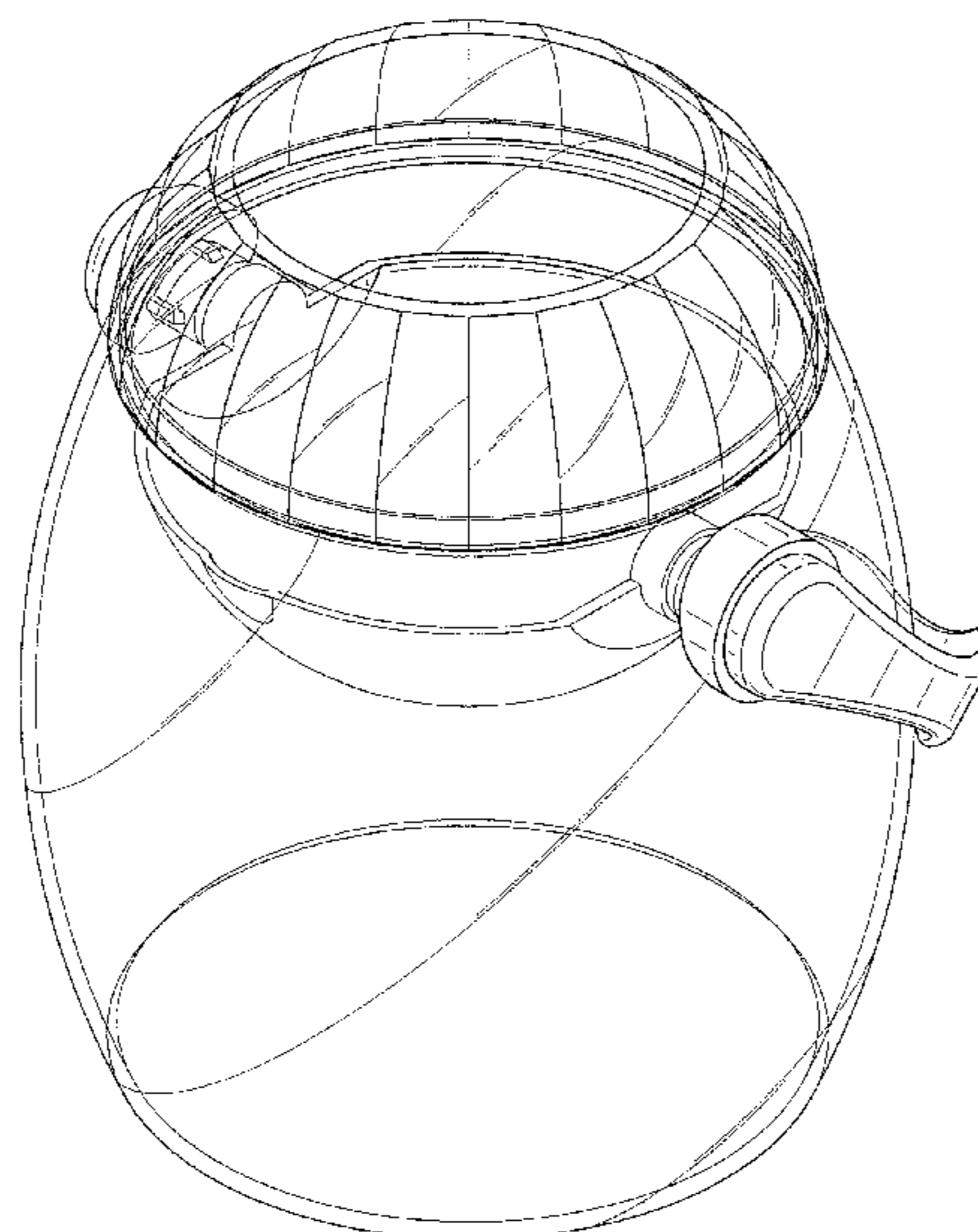
(57) **CLAIM**

The ornamental design for a container for cleaning a cosmetic brush, as shown.

**DESCRIPTION**

FIG. 1 is a perspective view of a container for cleaning a cosmetic brush showing my new design;  
FIG. 2 is another perspective view thereof;  
FIG. 3 is a front view thereof;  
FIG. 4 is a rear view thereof;  
FIG. 5 is a left side view thereof;  
FIG. 6 is a right side view thereof;  
FIG. 7 is a top view thereof;  
FIG. 8 is a bottom view thereof;  
FIG. 9 is an exploded view thereof; and,  
FIG. 10 is another exploded view thereof.

**1 Claim, 10 Drawing Sheets**



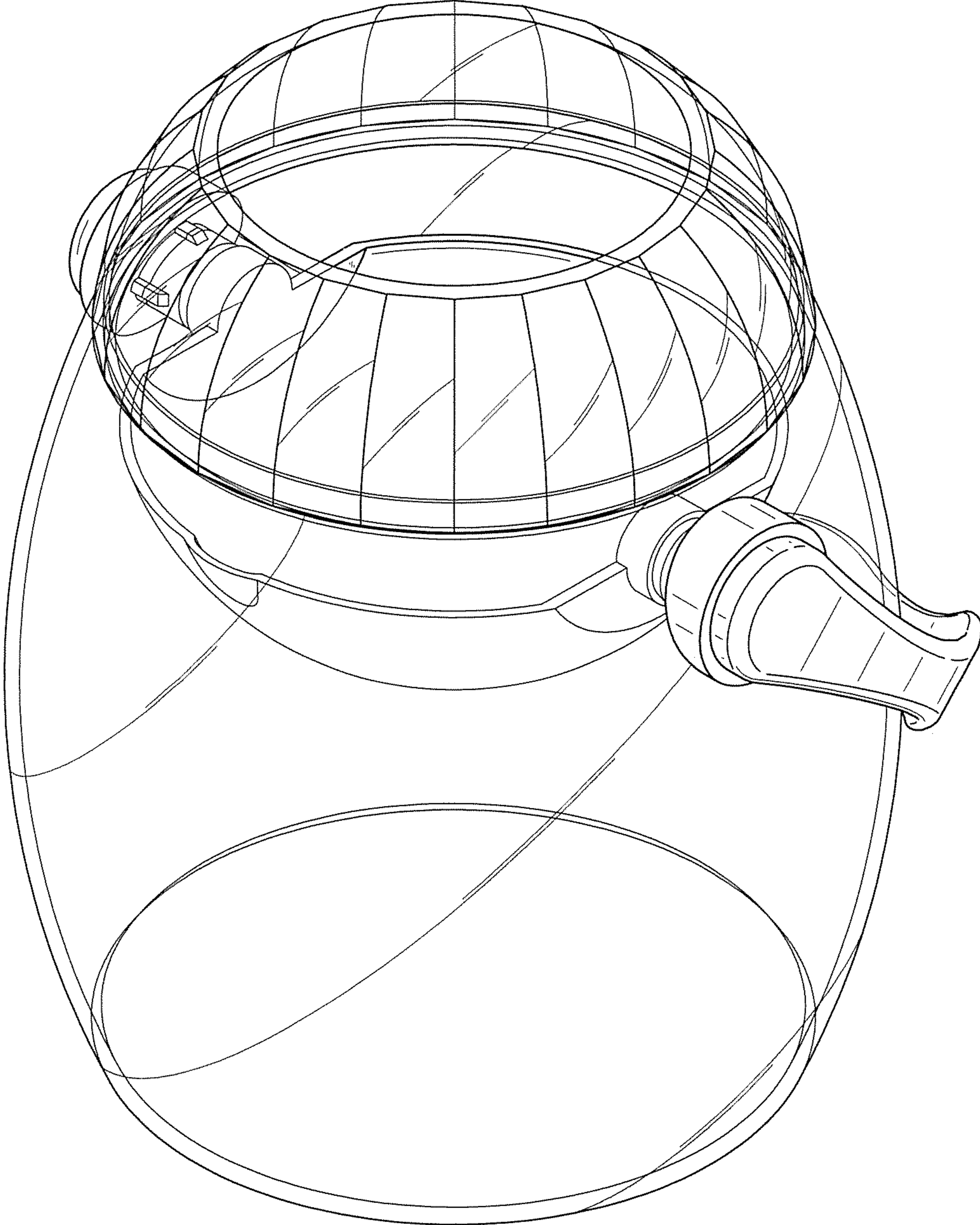


FIG. 1

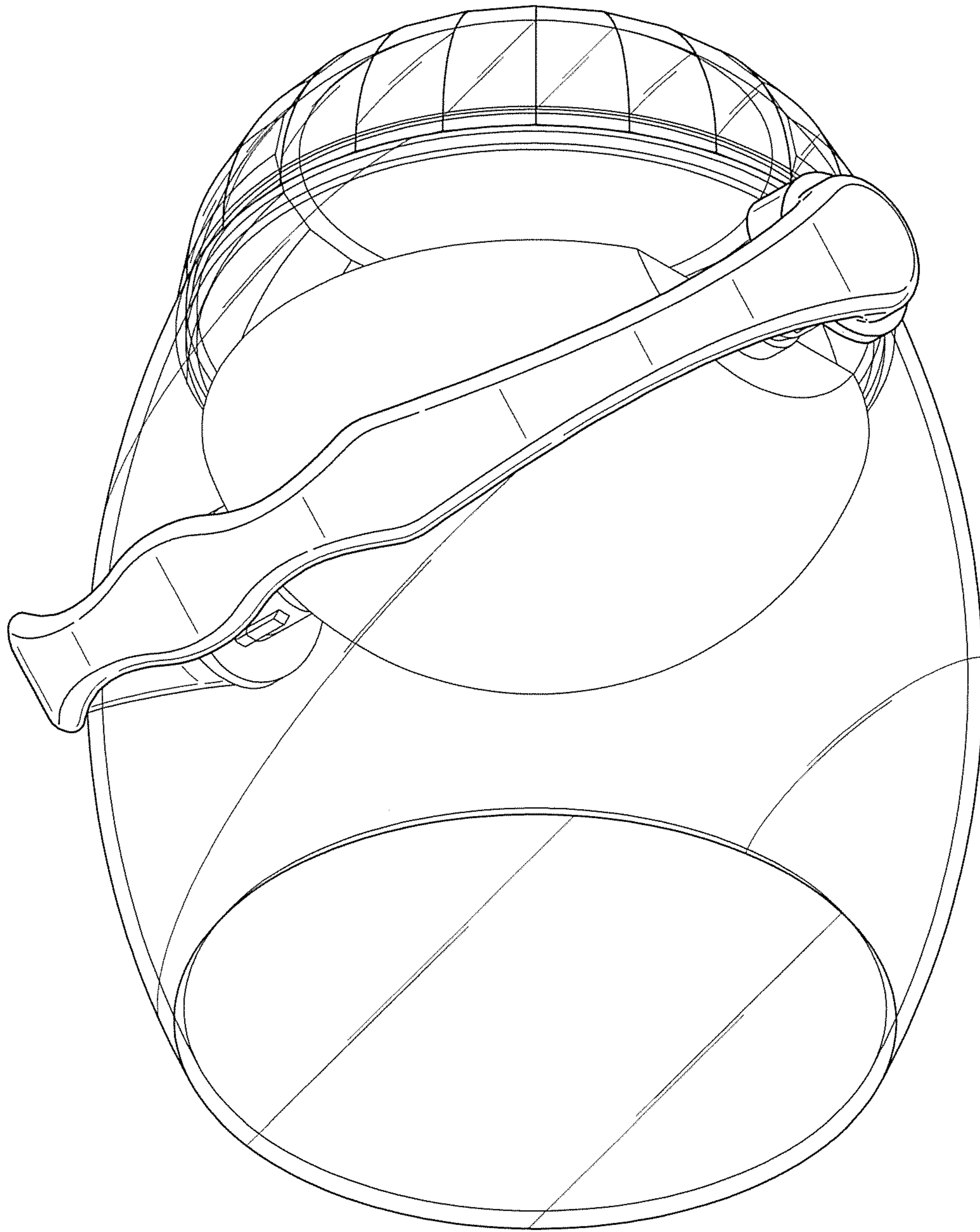


FIG. 2

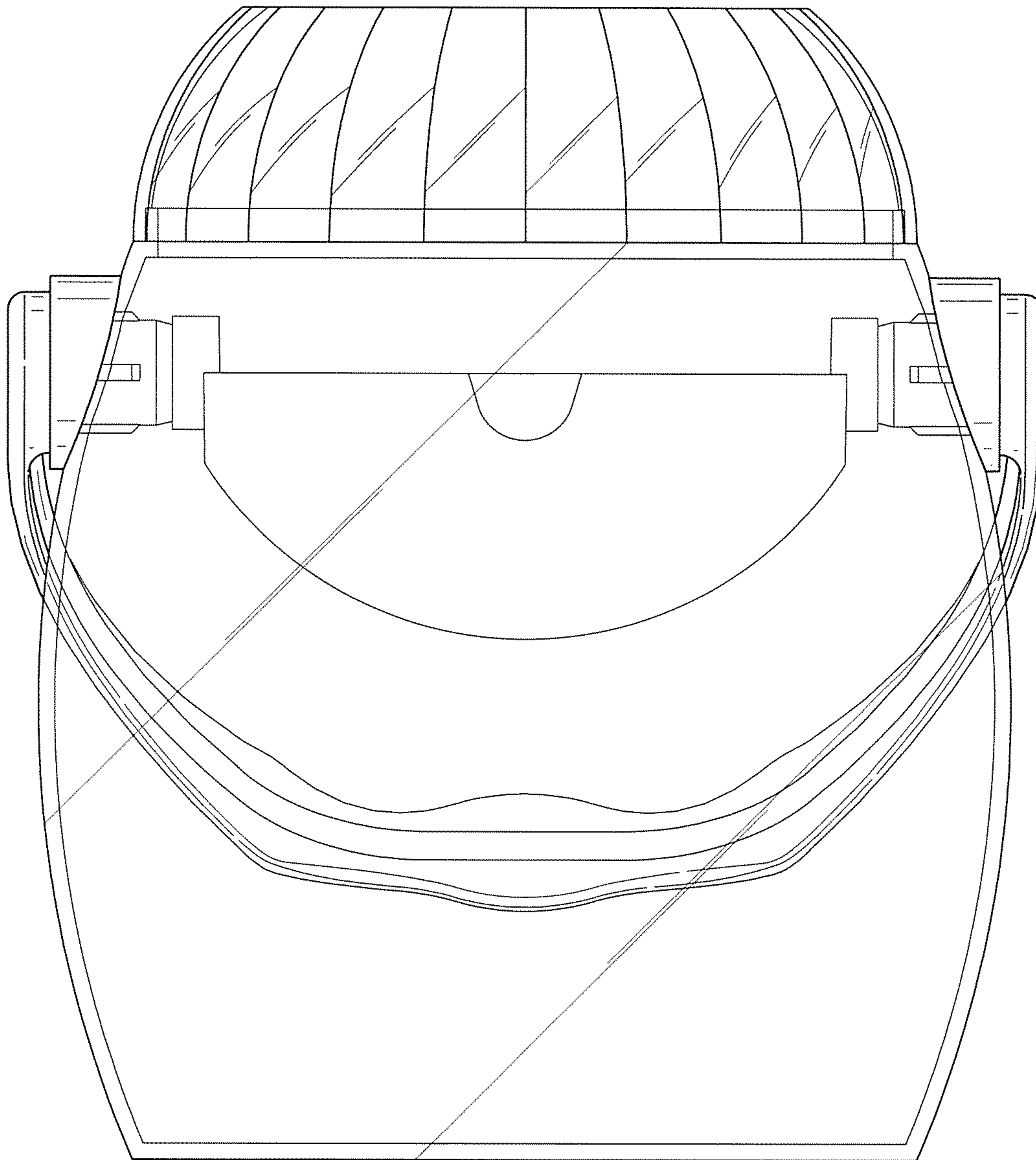


FIG. 3

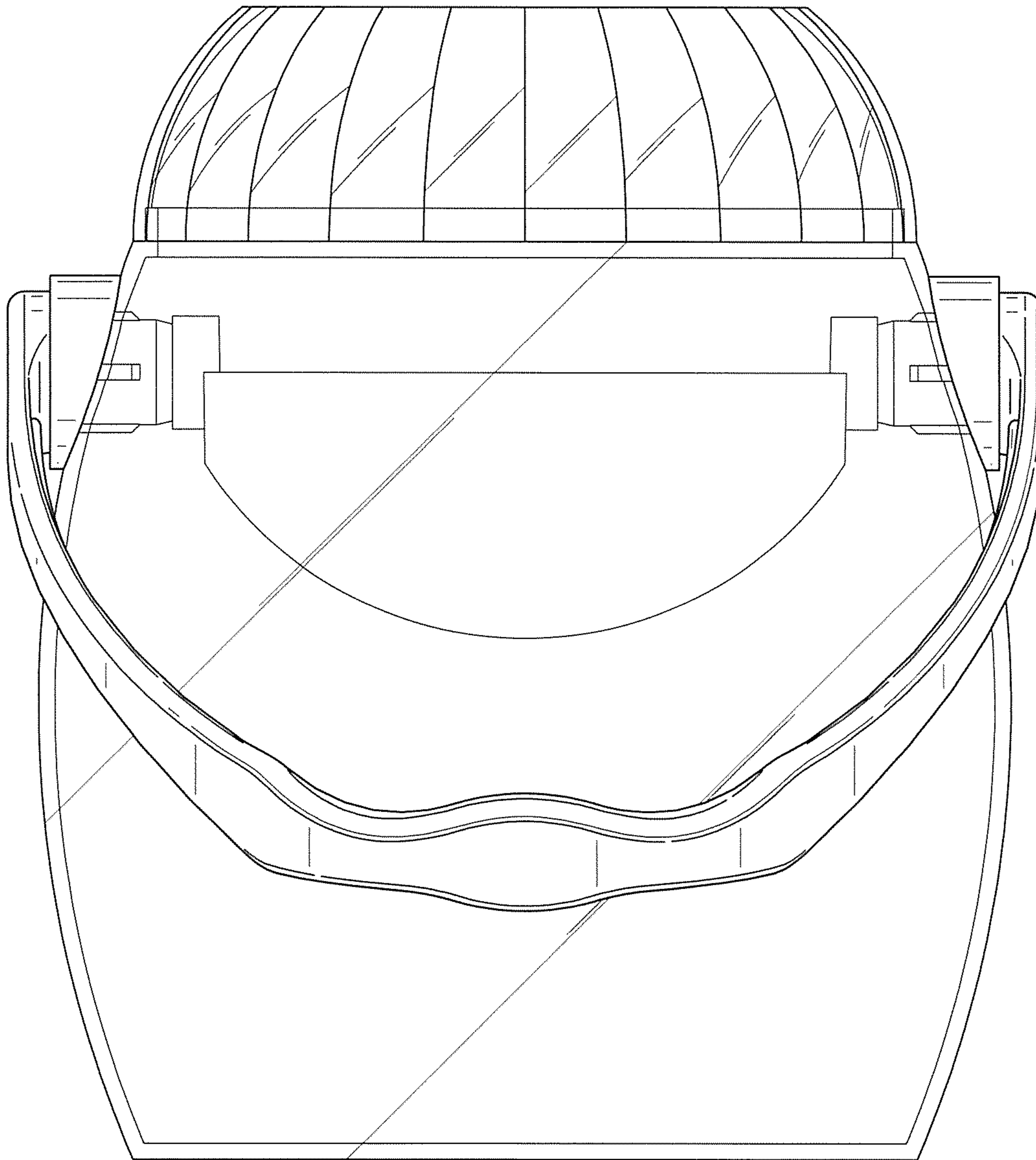


FIG. 4

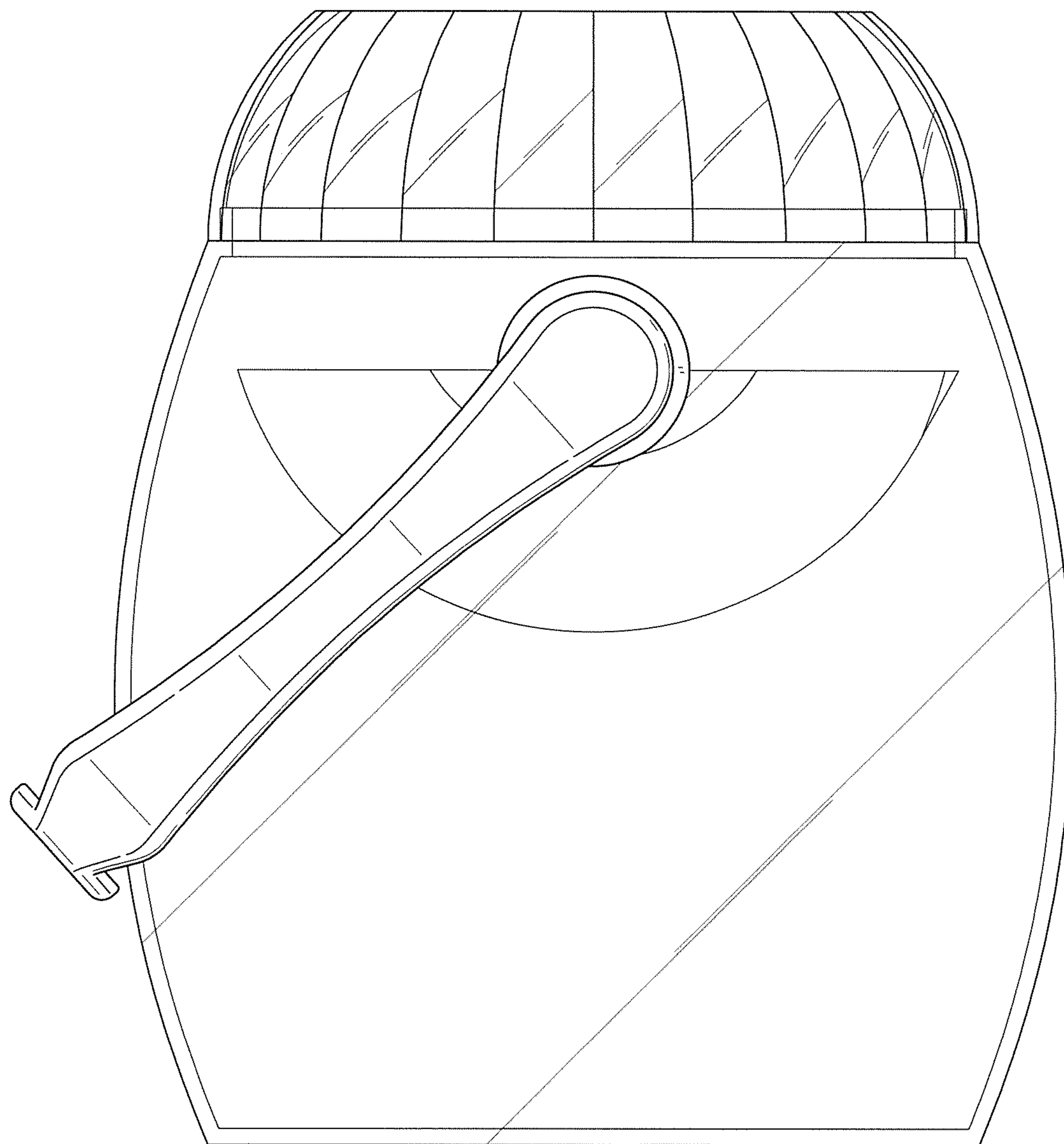


FIG. 5

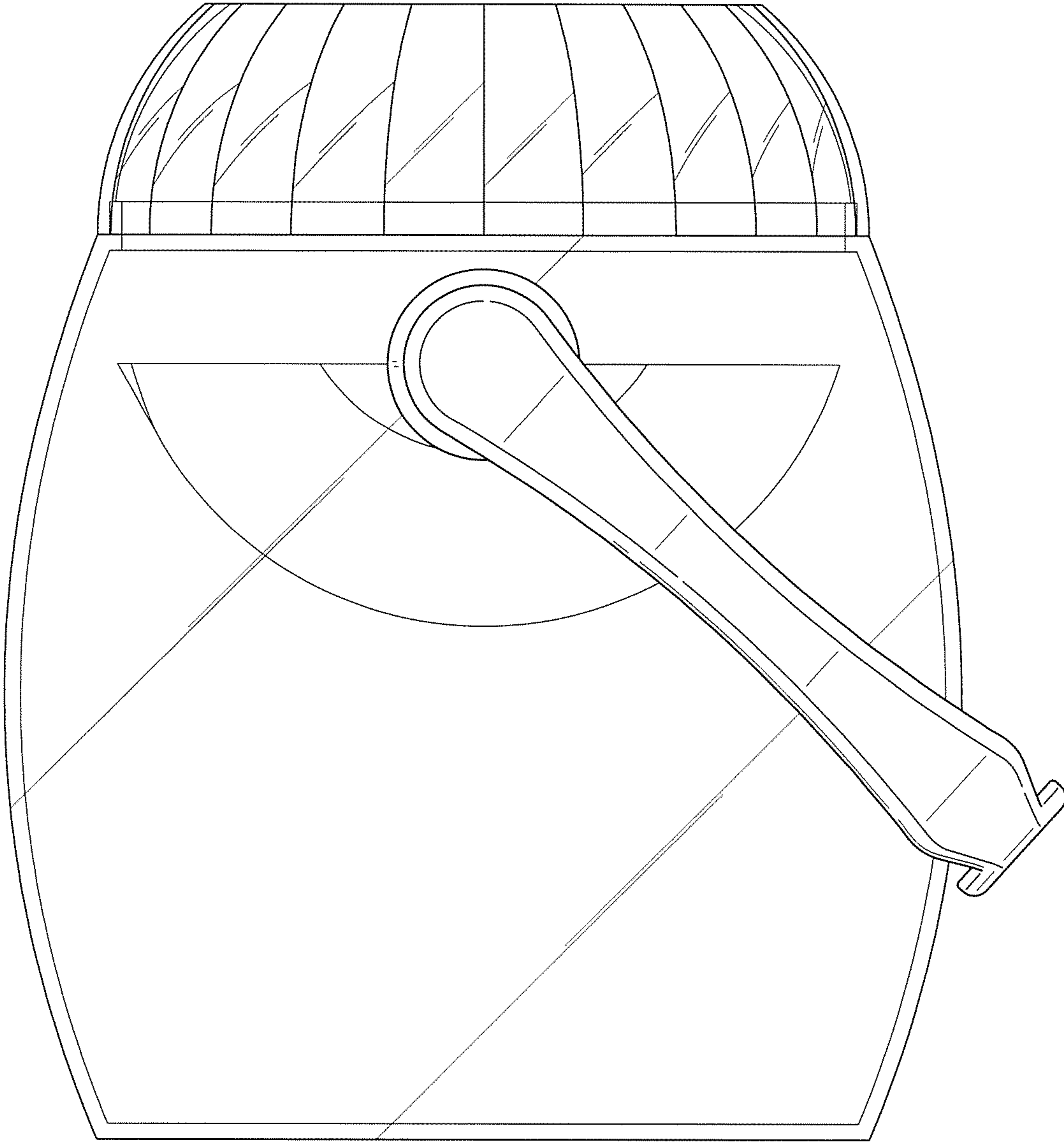


FIG. 6

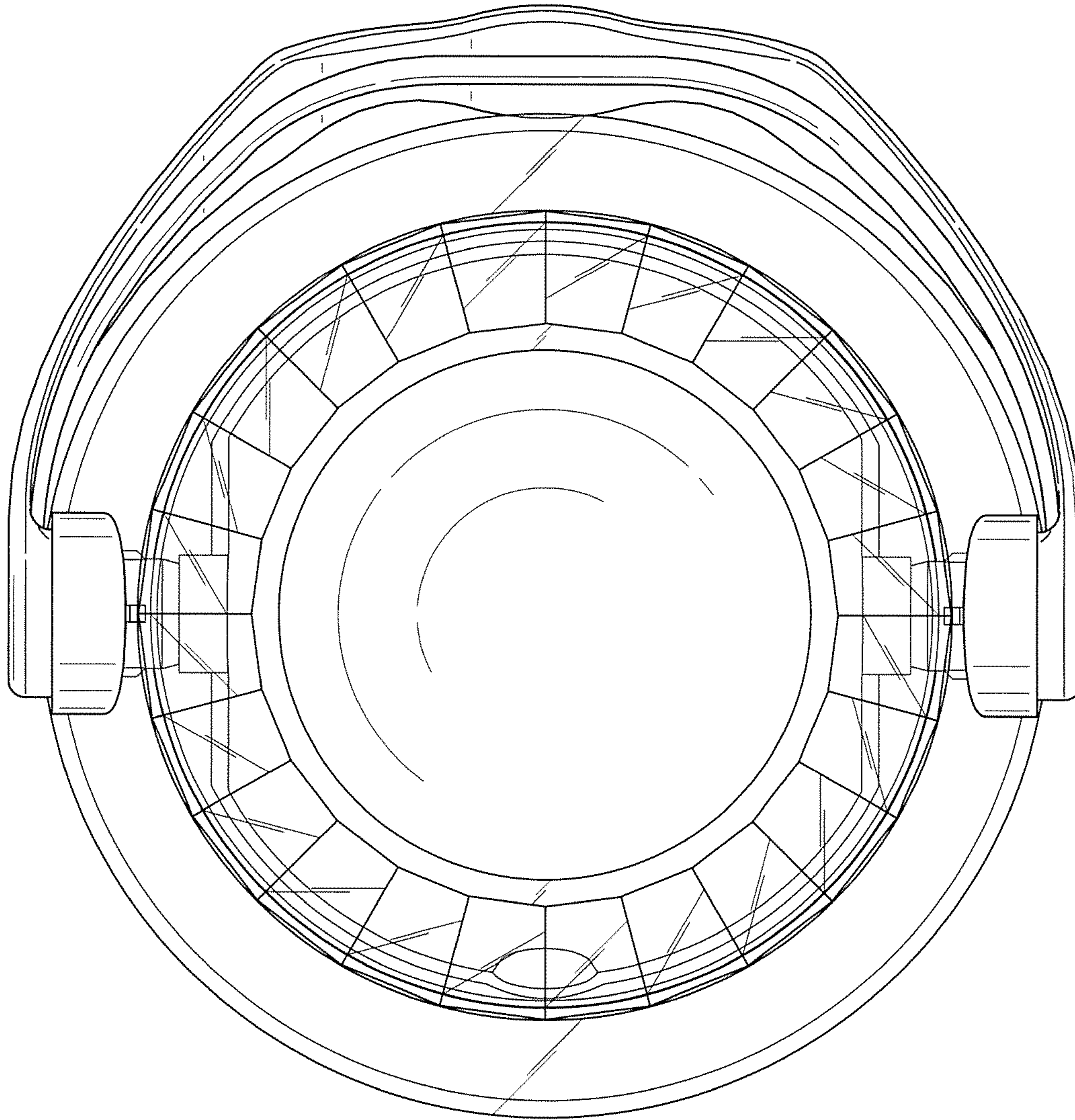


FIG. 7



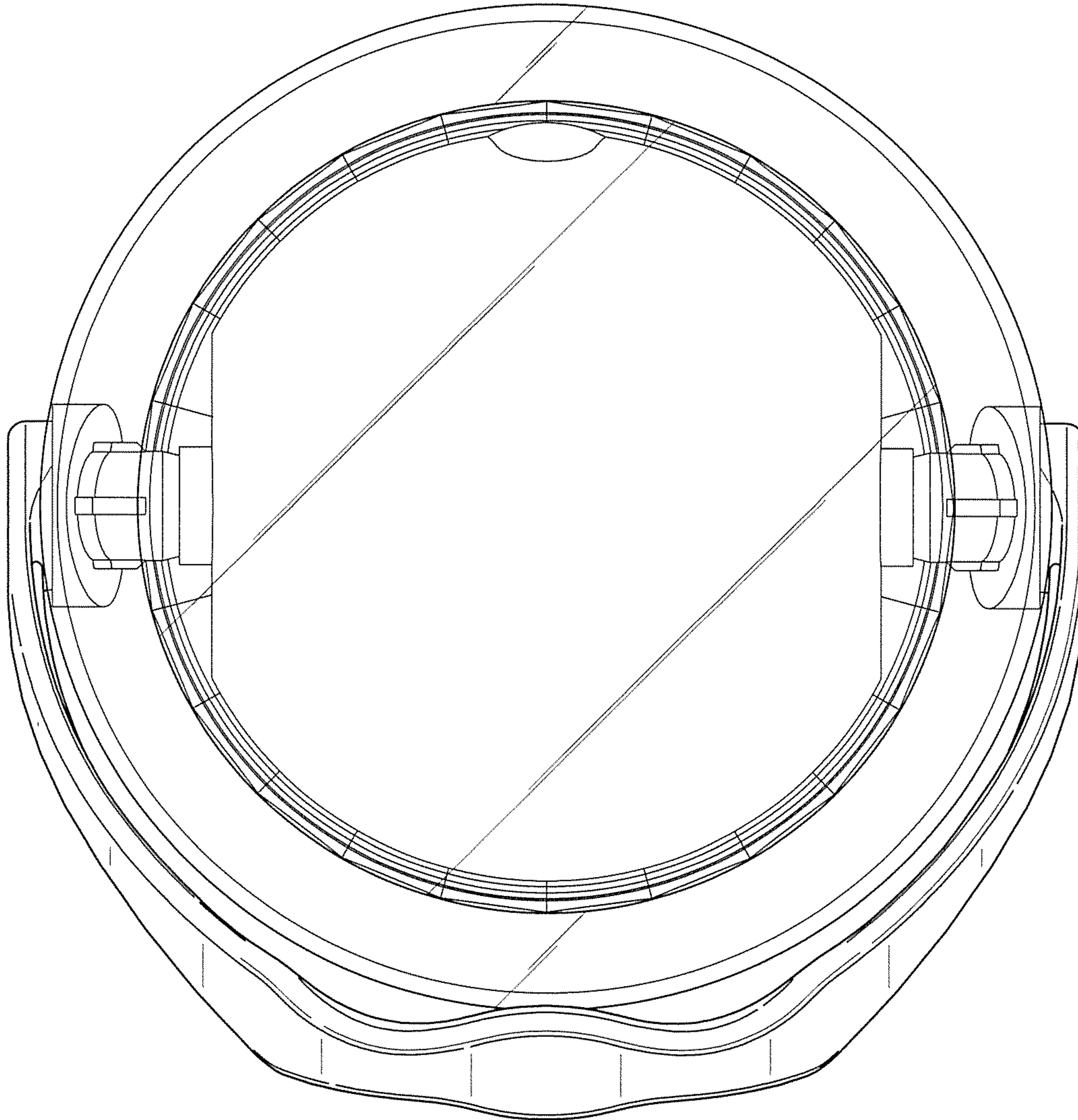


FIG. 8

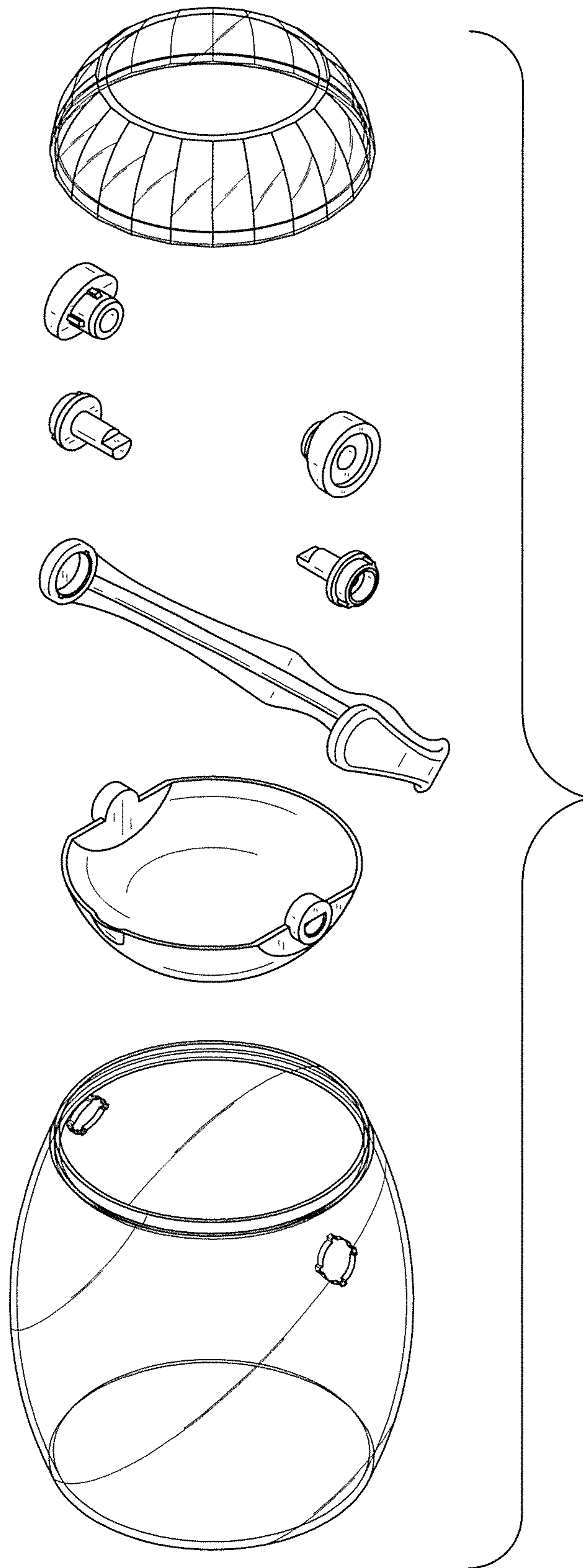


FIG. 9

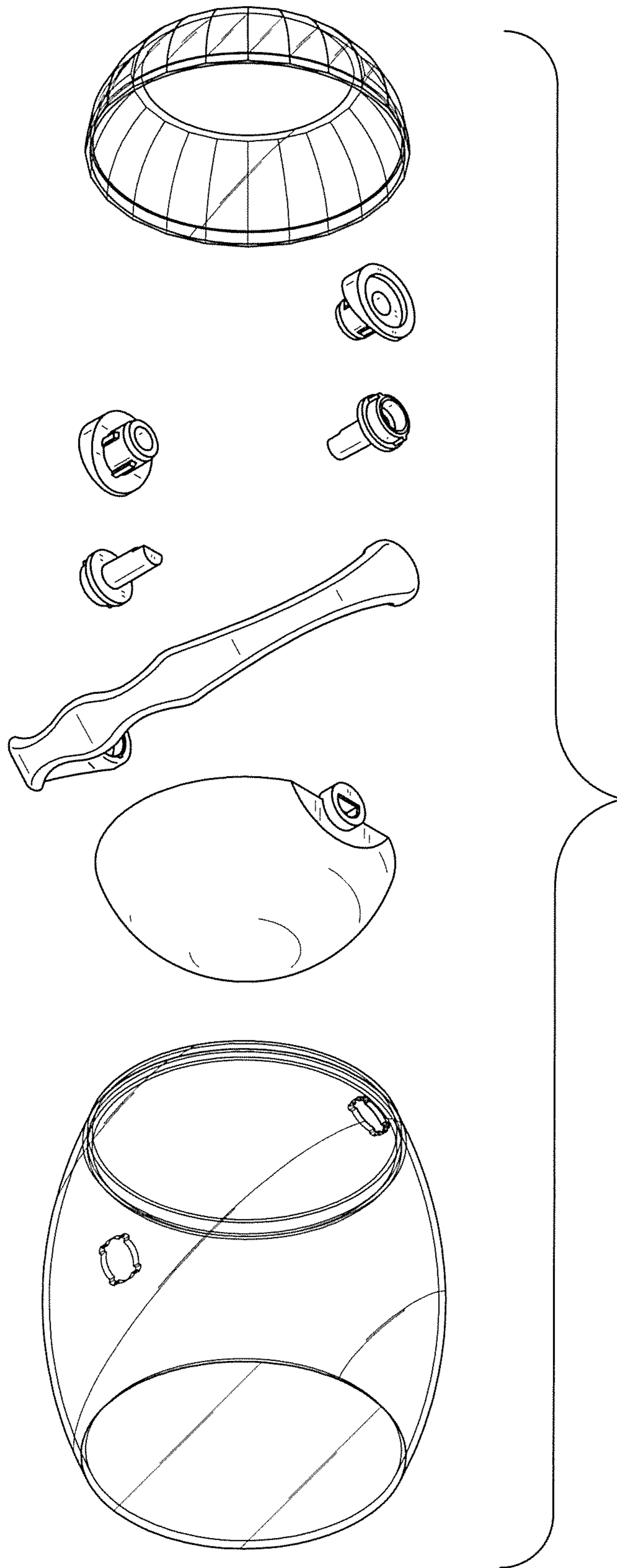


FIG. 10