



US00D882874S

(12) **United States Design Patent**
Peng

(10) **Patent No.:** **US D882,874 S**

(45) **Date of Patent:** **** Apr. 28, 2020**

- (54) **SHAVER**
- (71) Applicant: **Qian Peng**, Shenzhen (CN)
- (72) Inventor: **Qian Peng**, Shenzhen (CN)
- (73) Assignee: **ShenZhen Umickoo Technology company Limited**, Shenzhen (CN)
- (**) Term: **15 Years**

D476,444 S *	6/2003	Hara	D28/50
D485,013 S *	1/2004	Leventhal	D28/52
D503,495 S *	3/2005	Maeda	D28/53
D513,092 S *	12/2005	Ajootian	D28/53
D561,941 S *	2/2008	Khubani	D28/53
D598,608 S *	8/2009	Baumer	D28/77
D663,483 S *	7/2012	Lee	D28/76
D735,042 S *	7/2015	Simon	D28/76
D743,101 S *	11/2015	Pires	D28/76
D751,762 S *	3/2016	Hollinger	D28/58
D781,496 S *	3/2017	Butler	D28/58
10,391,649 B1 *	8/2019	Khubani	B26B 19/3813

- (21) Appl. No.: **29/683,388**
- (22) Filed: **Mar. 13, 2019**
- (51) **LOC (12) Cl.** **28-03**
- (52) **U.S. Cl.**
USPC **D28/51; D28/53**
- (58) **Field of Classification Search**
USPC D28/49-54
CPC B26B 19/384-3893; B26B 19/22; B26B 19/26-265; B26B 19/38-3833; B26B 19/12-18; B26B 19/00-107; B26B 21/10; B26B 21/16; B26B 21/165
See application file for complete search history.

* cited by examiner

Primary Examiner — Jennifer Rivard

(57) **CLAIM**

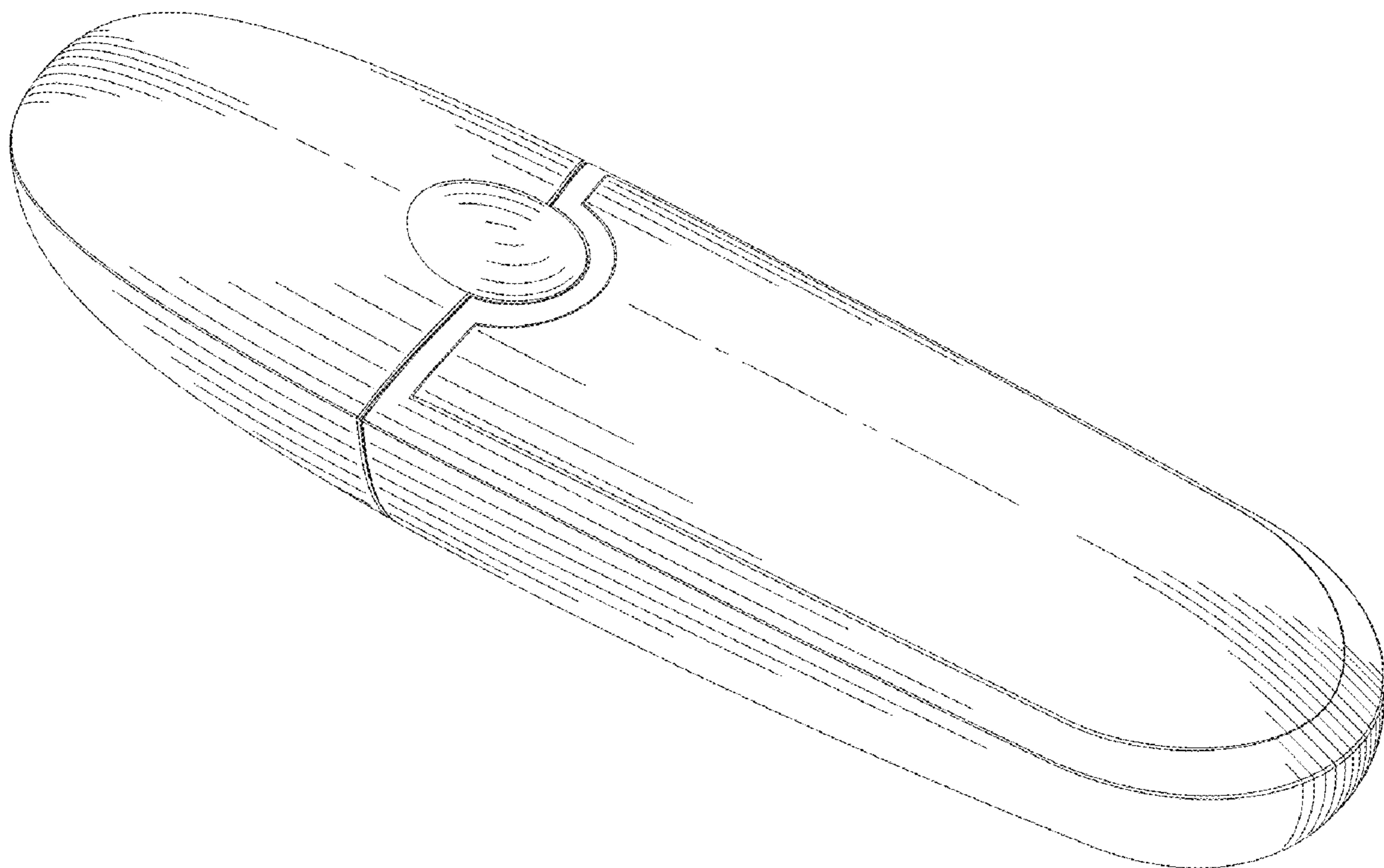
The ornamental design for a shaver, as shown and described.

DESCRIPTION

FIG. 1 is a front perspective view of the shaver showing my new design;
 FIG. 2 is a rear perspective view thereof;
 FIG. 3 is a front elevational view thereof;
 FIG. 4 is a rear elevational view thereof;
 FIG. 5 is a left side elevational view thereof;
 FIG. 6 is a right side elevational view thereof;
 FIG. 7 is a top plan view thereof; and,
 FIG. 8 is a bottom plan view thereof.

1 Claim, 4 Drawing Sheets

- (56) **References Cited**
U.S. PATENT DOCUMENTS
D368,984 S * 4/1996 Nakashima D28/53
D388,543 S * 12/1997 Eguchi D28/53



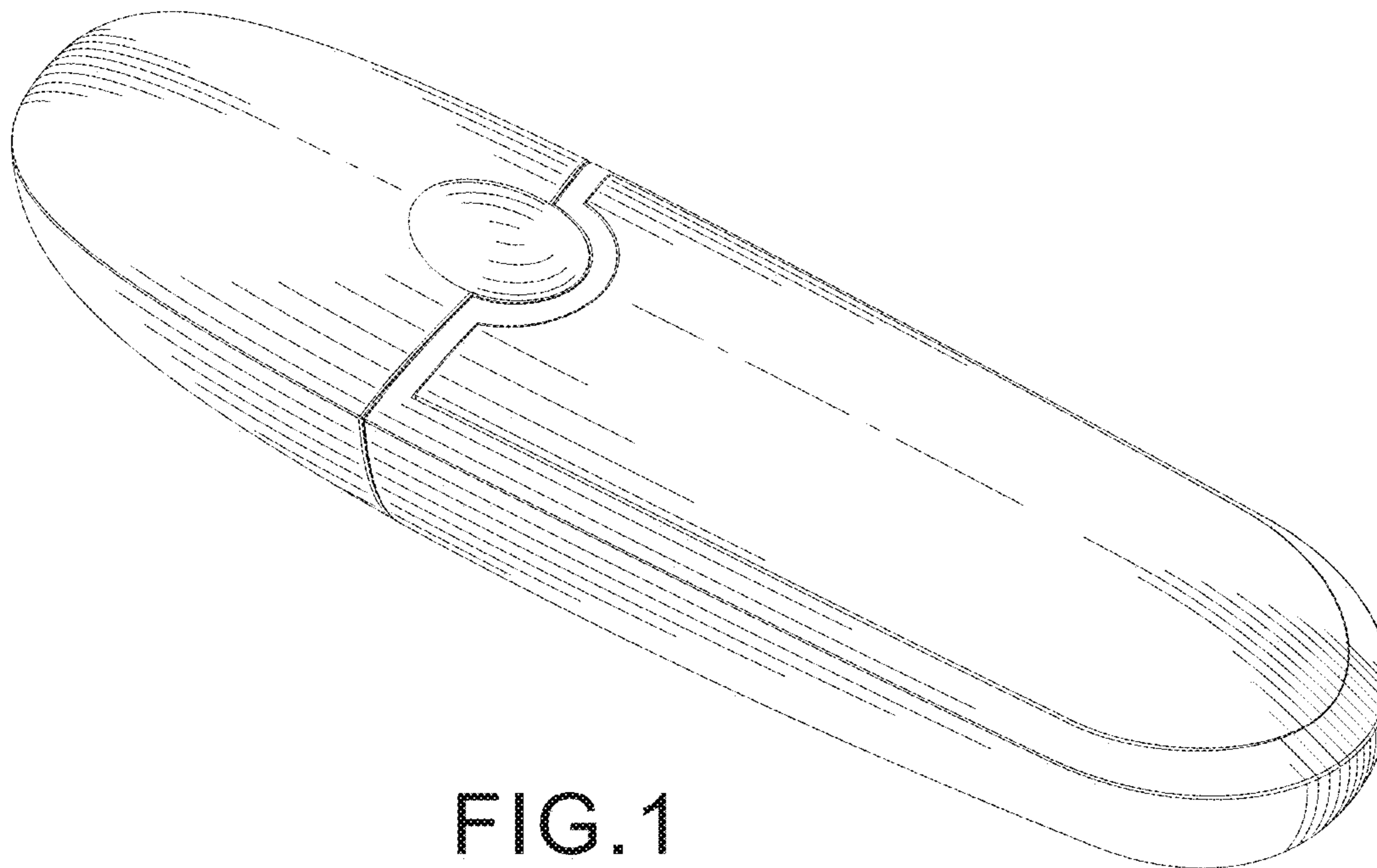


FIG. 1

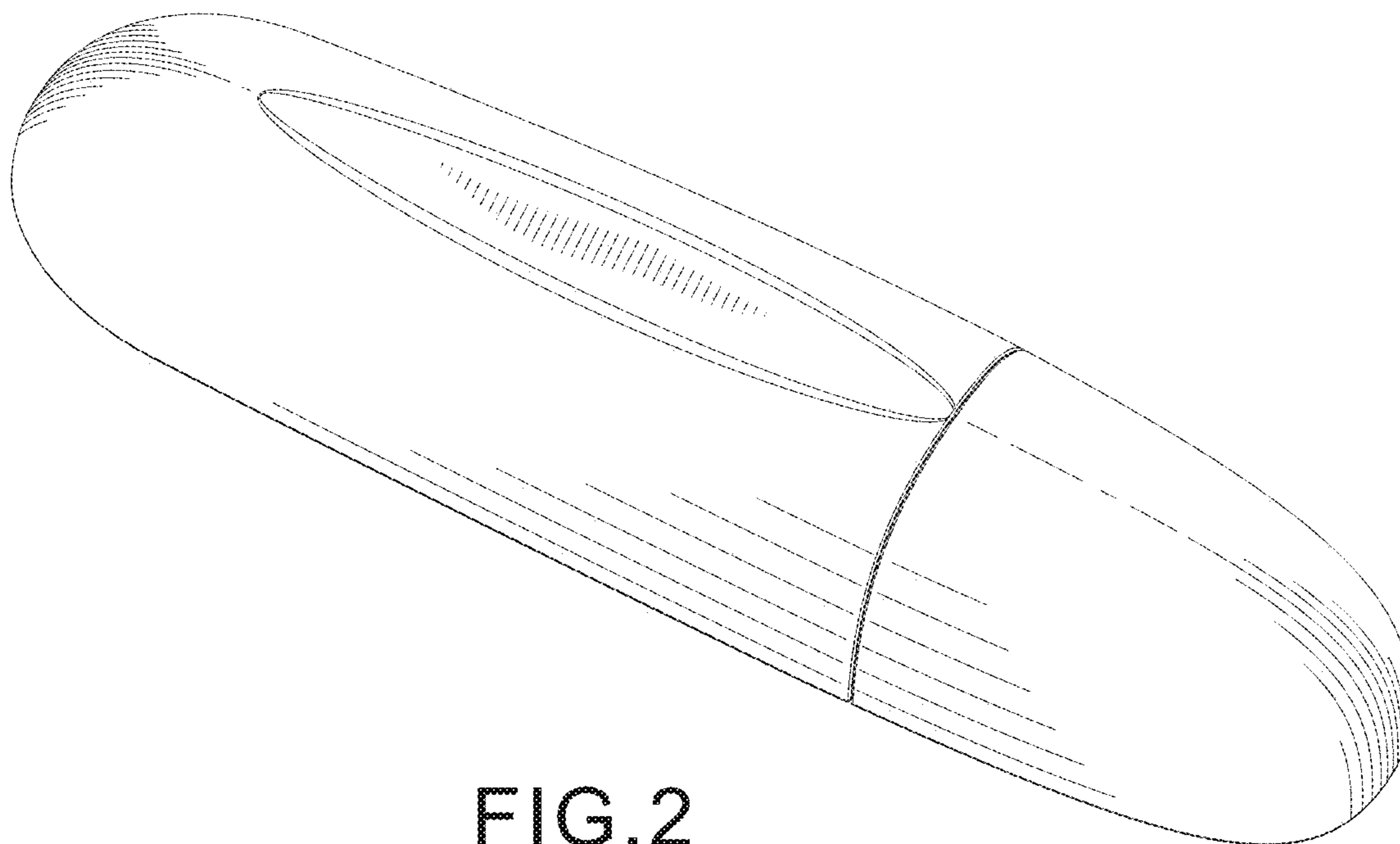


FIG. 2

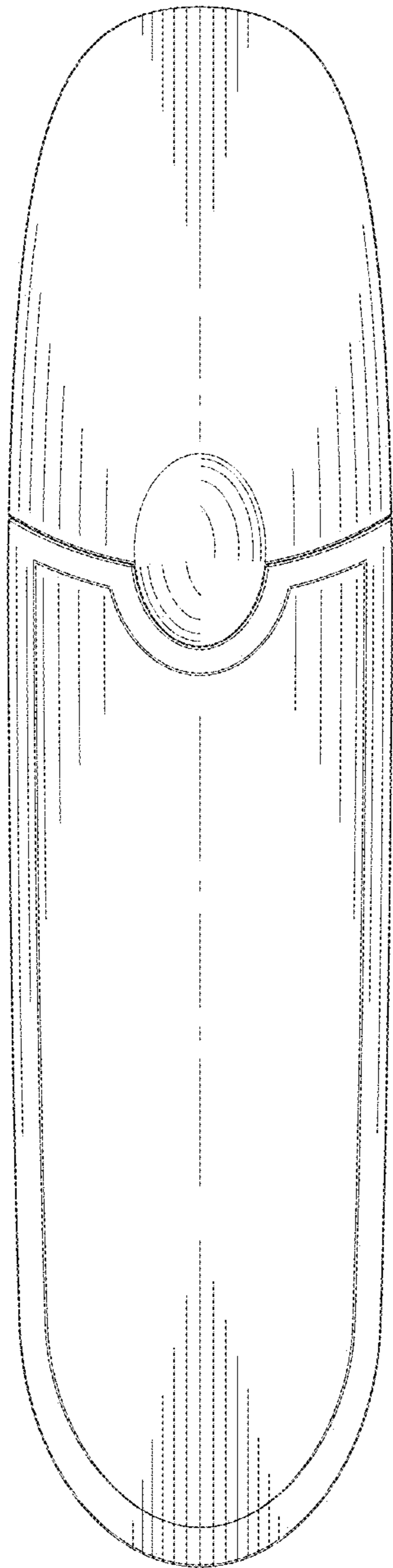


FIG. 3

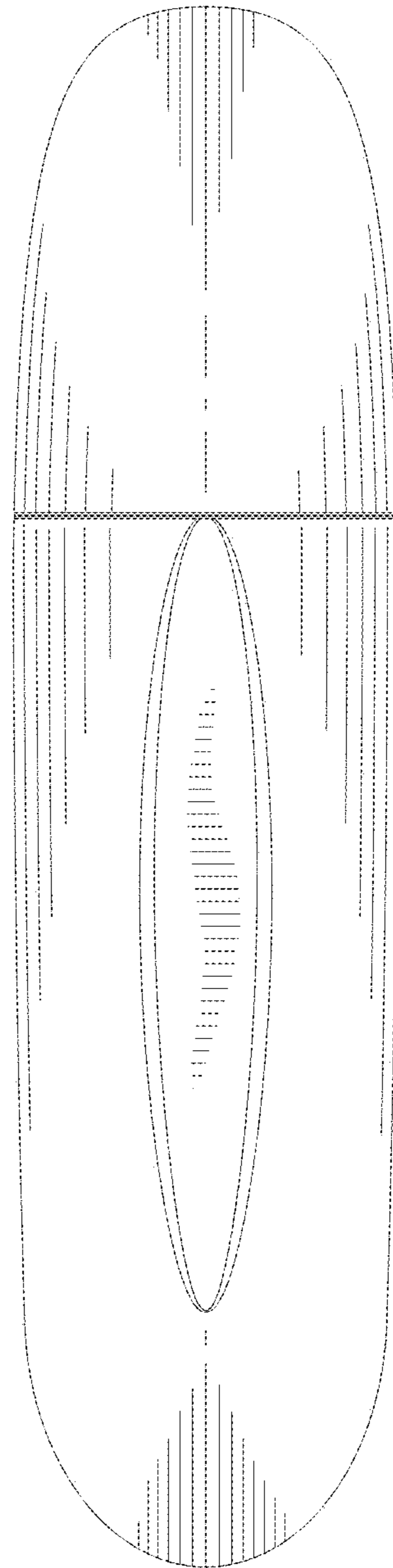


FIG. 4

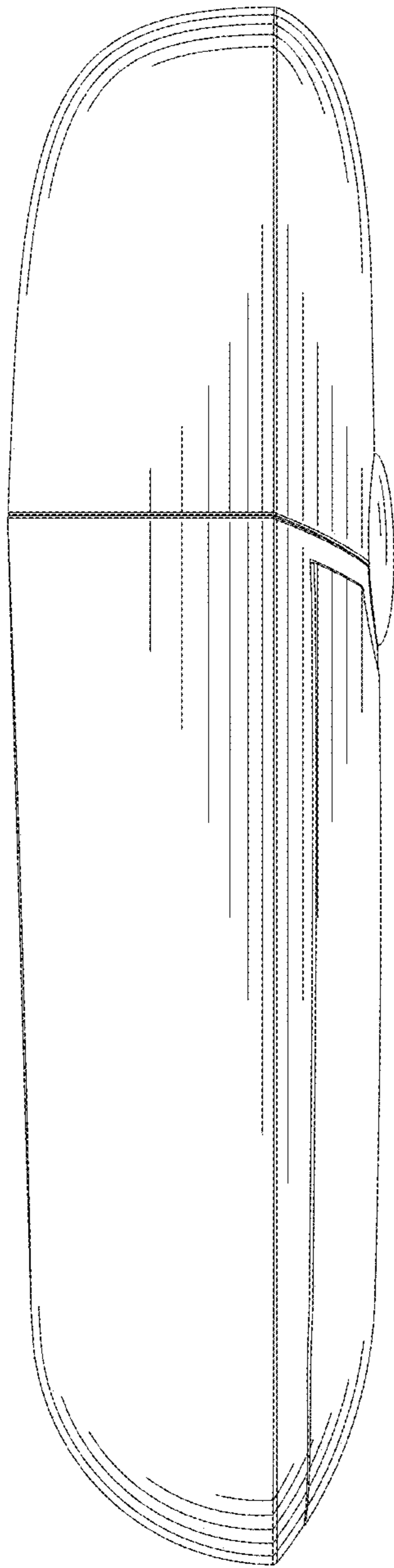


FIG. 5



FIG. 6

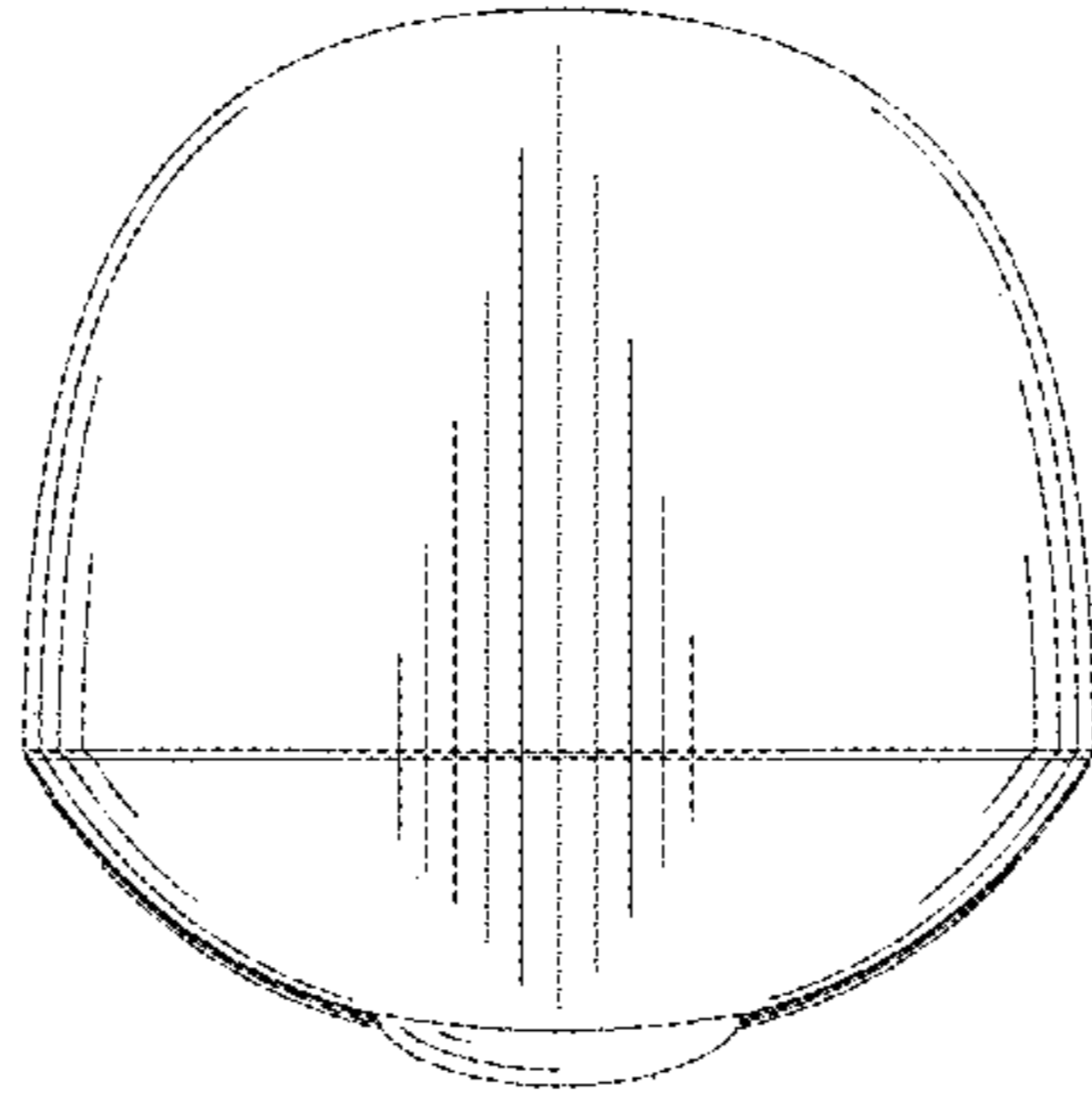


FIG. 7

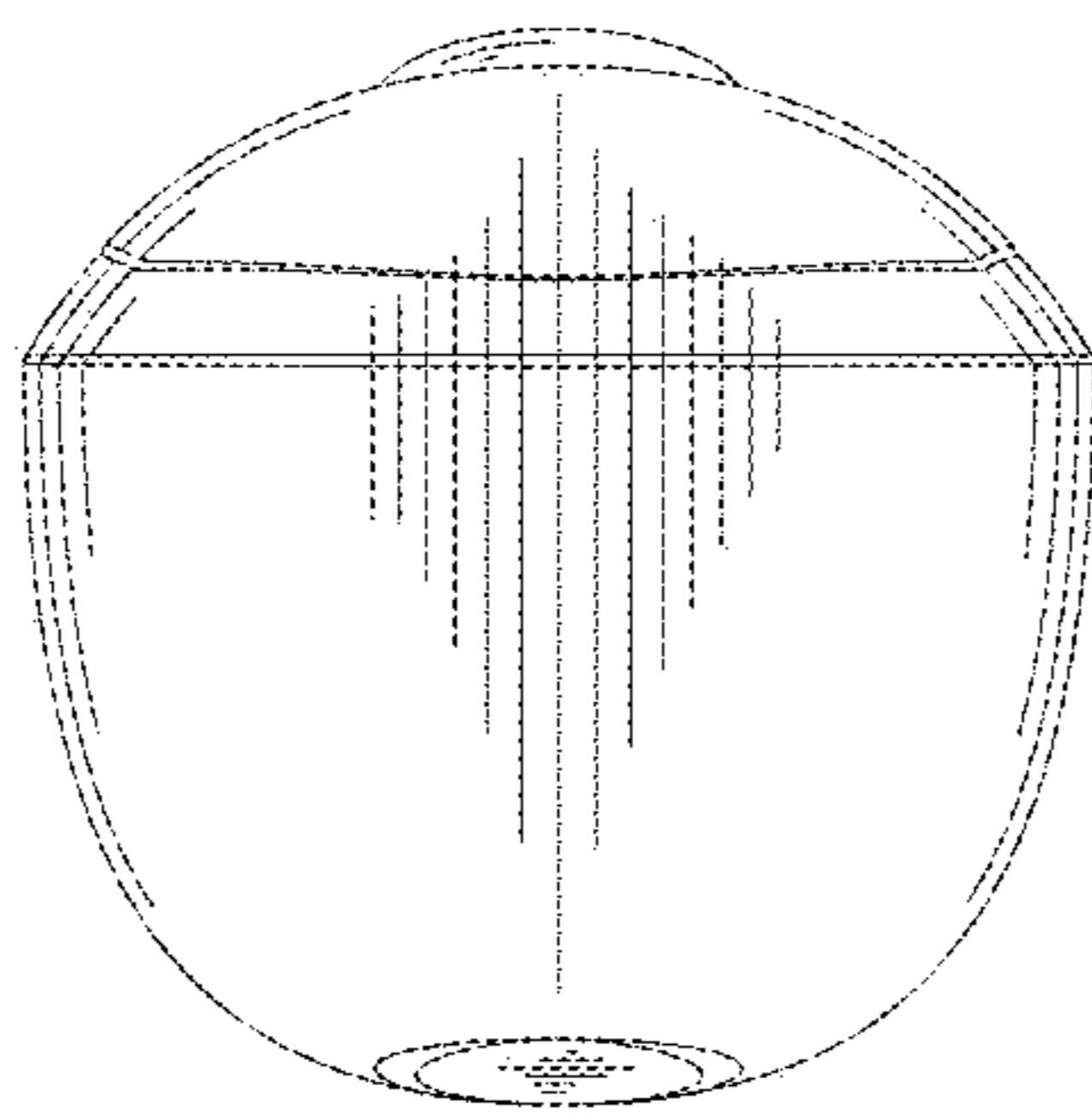


FIG. 8