



US00D882873S

(12) **United States Design Patent** (10) **Patent No.:** **US D882,873 S**
Goeder et al. (45) **Date of Patent:** **** Apr. 28, 2020**

(54) **SHAVING RAZOR**
(71) Applicant: **The Gillette Company LLC**, Boston, MA (US)
(72) Inventors: **Philipp Goeder**, Frankfurt (DE); **Christopher Ramm**, North Attleboro, MA (US); **Brian Patrick Watson**, Marshfield, MA (US); **Vanessa Christie**, Boston, MA (US)
(73) Assignee: **The Gillette Company LLC**, Boston, MA (US)
(**) Term: **15 Years**

D568,534 S * 5/2008 Micinilio D28/46
D568,539 S * 5/2008 Micinilio D28/48
D591,451 S * 4/2009 Micinilio D28/46
D600,408 S * 9/2009 Micinilio D28/46
D604,906 S 11/2009 Stowers et al.
D616,607 S * 5/2010 Ramm D28/48
D633,254 S * 2/2011 Witkus D28/47
D649,712 S * 11/2011 Pan D28/46
D652,990 S * 1/2012 Strickland D28/46
D655,449 S * 3/2012 Pan D28/46
D659,285 S * 5/2012 Lukan D28/46
D659,286 S * 5/2012 Lukan D28/46
D660,516 S * 5/2012 Christie D28/48
D661,425 S * 6/2012 Cataudella D28/46
D661,426 S * 6/2012 Wain D28/47
D675,378 S * 1/2013 Boulanger D28/46
8,448,339 B2 * 5/2013 Walker, Jr. B26B 21/4031
30/50

(21) Appl. No.: **29/642,529**
(22) Filed: **Mar. 30, 2018**
(51) **LOC (12) Cl.** **28-03**
(52) **U.S. Cl.**
USPC **D28/46**
(58) **Field of Classification Search**
USPC D28/49-54, 46-48
CPC B26B 19/20-205; B26B 19/00-107; B26B 19/12-18; B26B 19/22-24; B26B 19/26-265; B26B 19/28-36; B26B 19/38-48; B26B 21/00; B26B 21/08; B26B 21/14-38; B26B 21/40; B26B 21/4006; B26B 21/4012-4031; B26B 21/4037; B26B 21/405-4056; B26B 21/4062; B26B 21/4068-4075; B26B 21/48; B26B 21/52-528
See application file for complete search history.

(56) **References Cited**
U.S. PATENT DOCUMENTS
6,868,610 B2 * 3/2005 Brandt B26B 21/40
30/140
6,928,738 B2 * 8/2005 Segrea B26B 21/40
30/34.1

(Continued)

Primary Examiner — Jennifer Rivard
(74) *Attorney, Agent, or Firm* — Joanne N. Pappas; Kevin C. Johnson

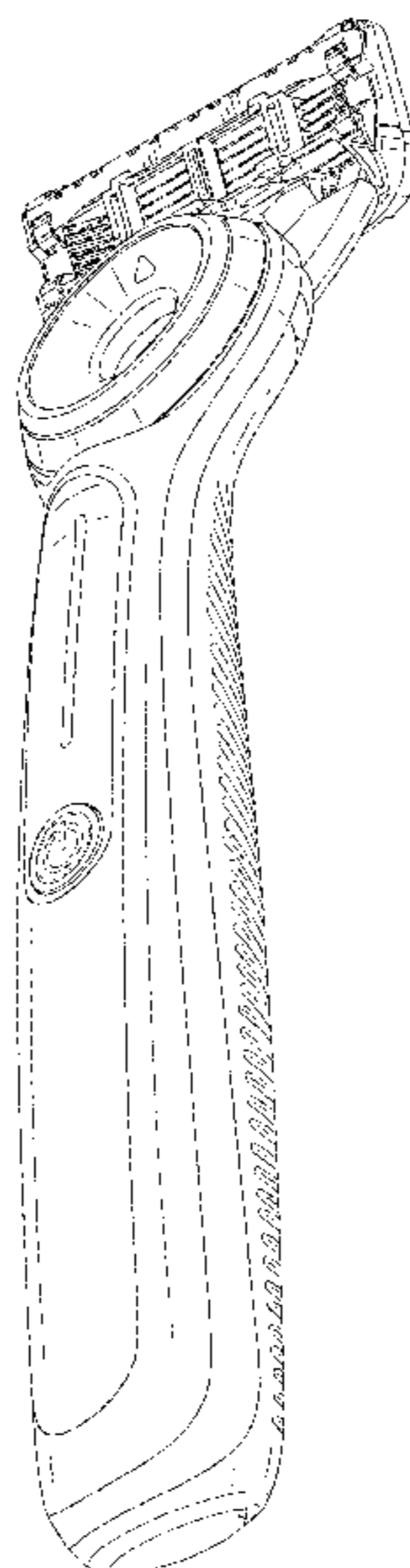
(57) **CLAIM**

The ornamental design for a shaving razor, as shown and described.

DESCRIPTION

FIG. 1 is a front perspective view of a design of a shaving razor of the present invention;
FIG. 2 is a front view thereof;
FIG. 3 is a back view thereof;
FIG. 4 is a right side view thereof;
FIG. 5 is a left side view thereof;
FIG. 6 is a top view thereof;
FIG. 7 is a bottom view thereof; and,
FIG. 8 is rear perspective view thereof.
The broken lines illustrate a portion of the shaving razor that forms no part of the claimed design.

1 Claim, 6 Drawing Sheets



(56)

References Cited

U.S. PATENT DOCUMENTS

8,782,904 B2 * 7/2014 Wain B26B 21/446
30/41
9,908,250 B2 * 3/2018 Hodgson B26B 21/227
9,912,087 B2 * 3/2018 Broemse H01R 12/732
D818,196 S * 5/2018 Szymanski D28/46
D822,901 S * 7/2018 Shin D28/48
D828,625 S * 9/2018 Forti D28/48
D839,477 S * 1/2019 Hodgson D28/46
D842,543 S * 3/2019 Ramm D28/48
2017/0374710 A1 * 12/2017 Heubach H05B 1/0252
2018/0159252 A1 * 6/2018 Broemse H01R 12/732
2018/0222070 A1 * 8/2018 Burrowes B26B 21/446
2018/0326605 A1 * 11/2018 Khubani B26B 21/46

* cited by examiner

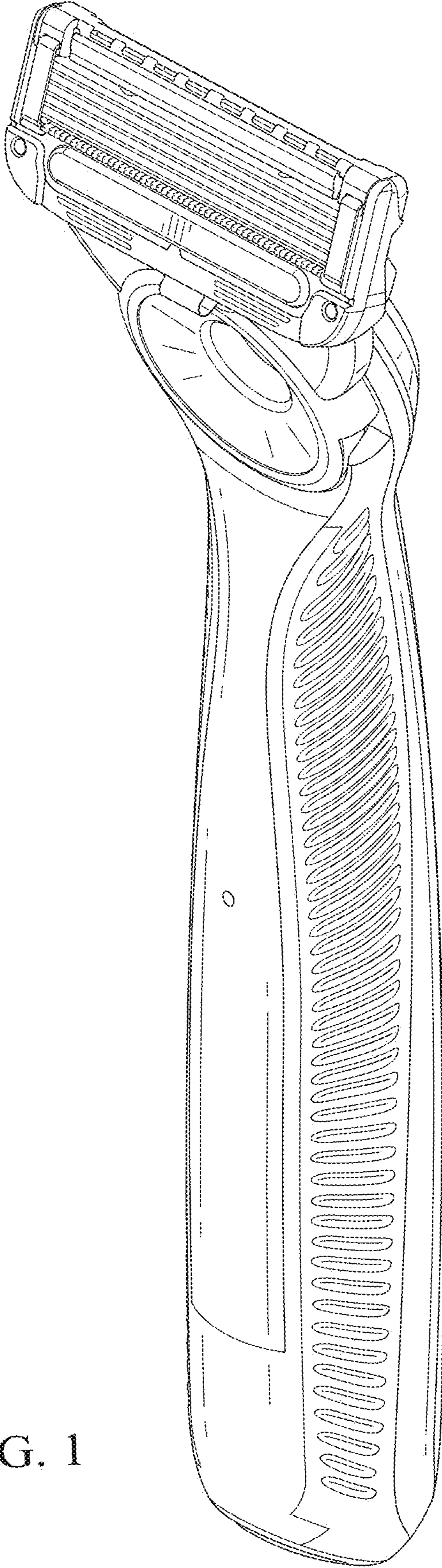


FIG. 1

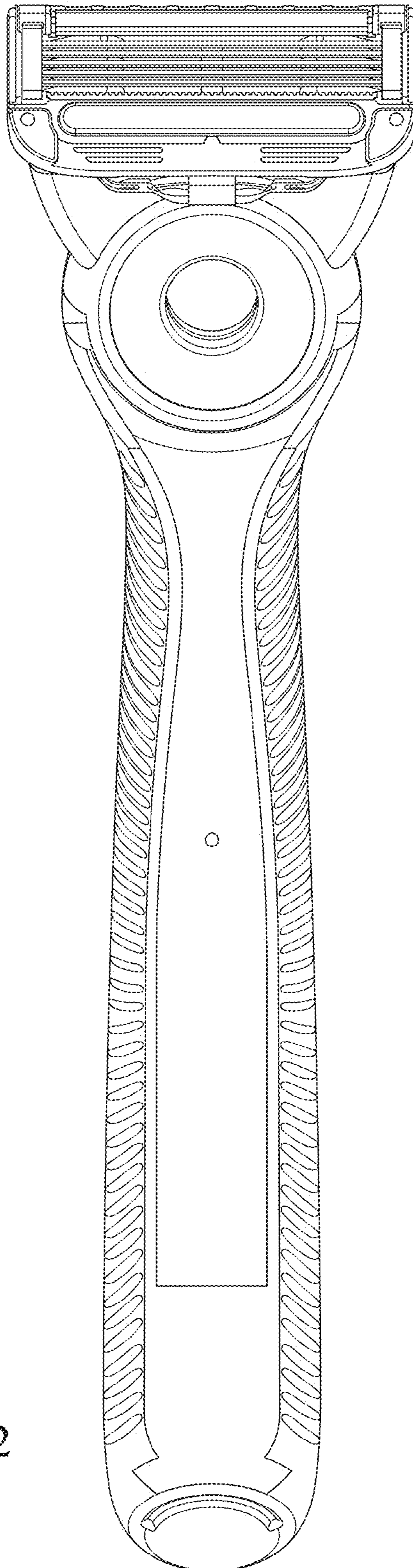


FIG. 2

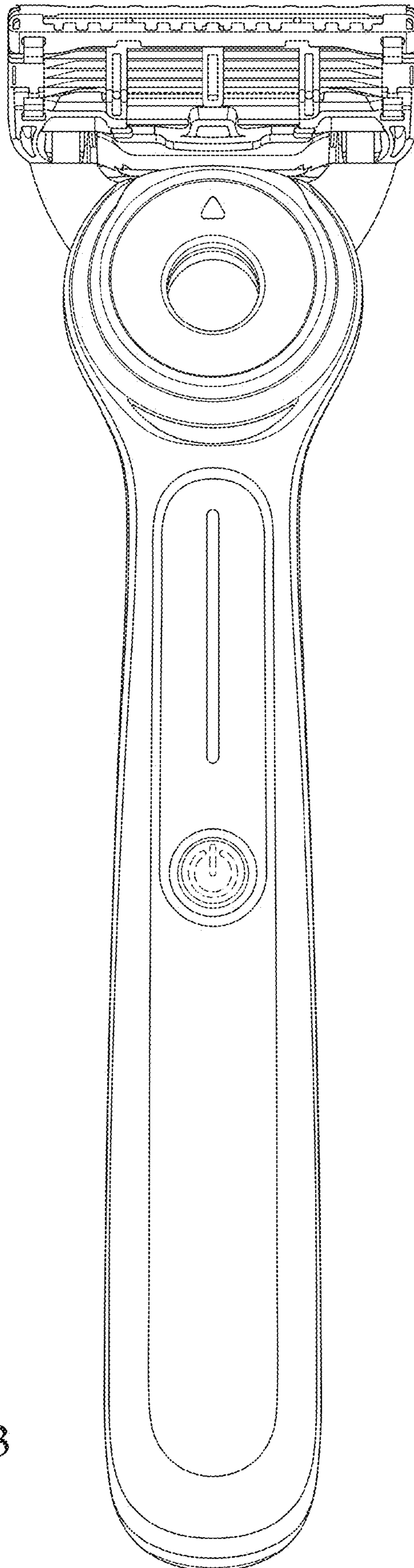


FIG. 3

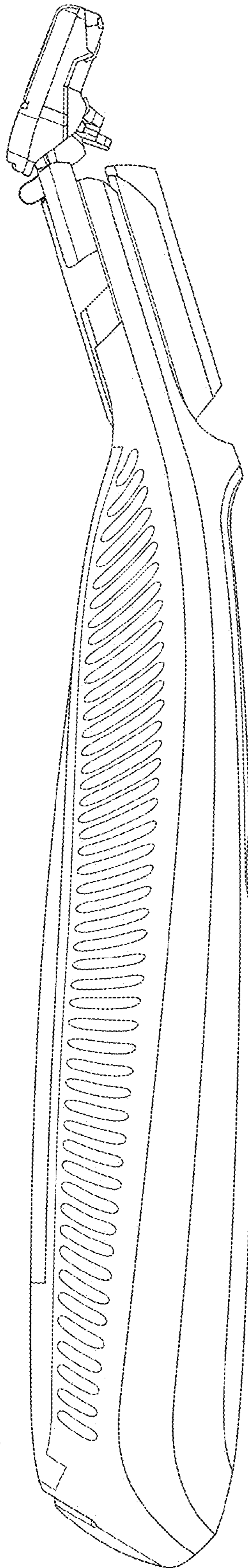


FIG. 4

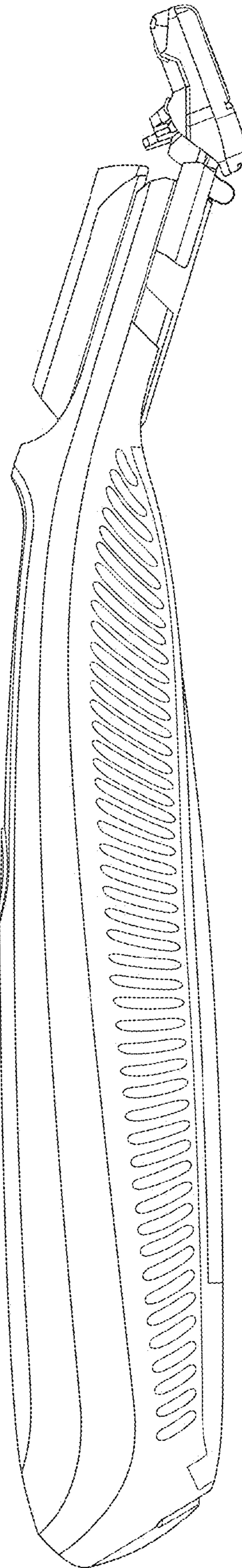


FIG. 5

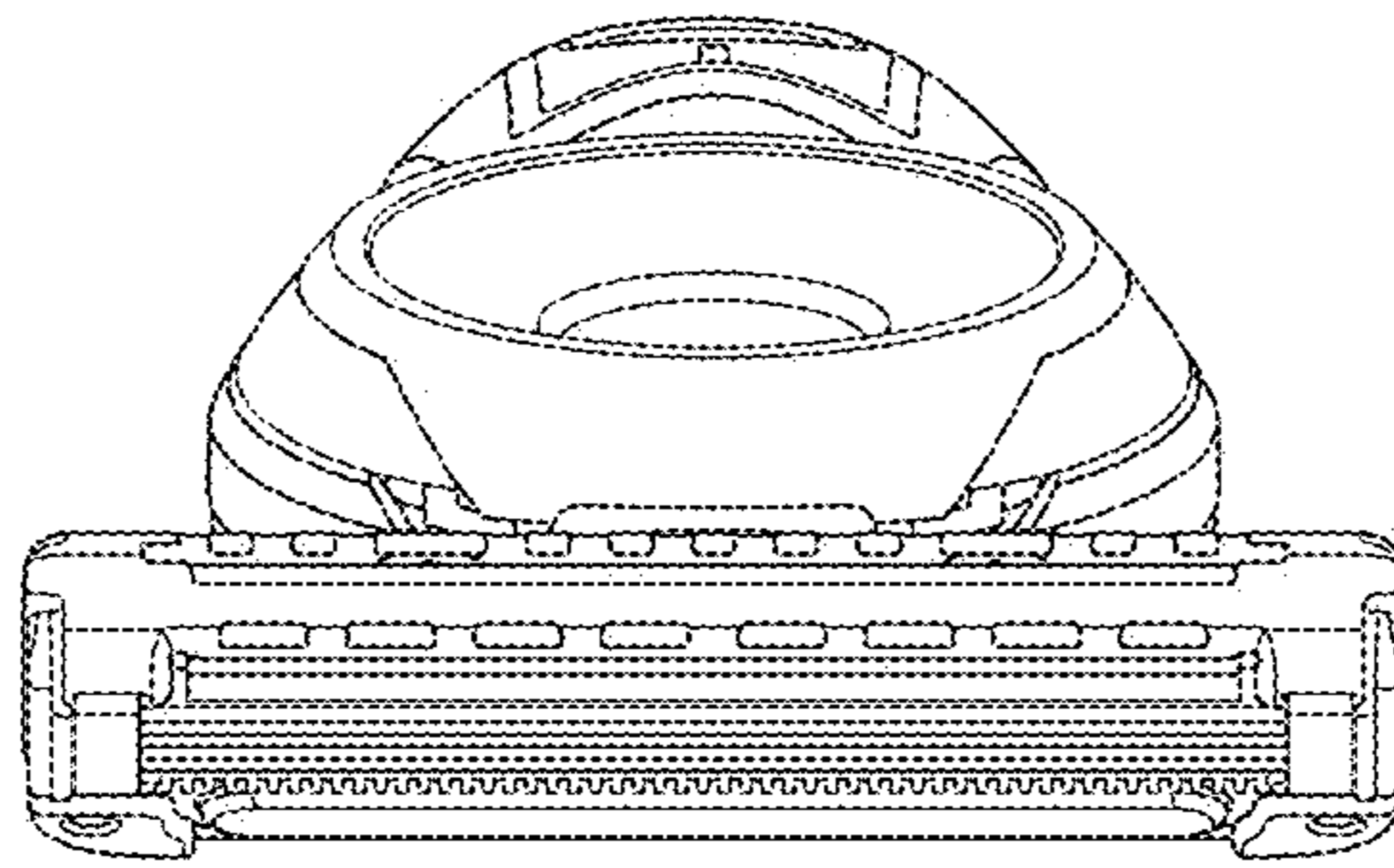


FIG. 6

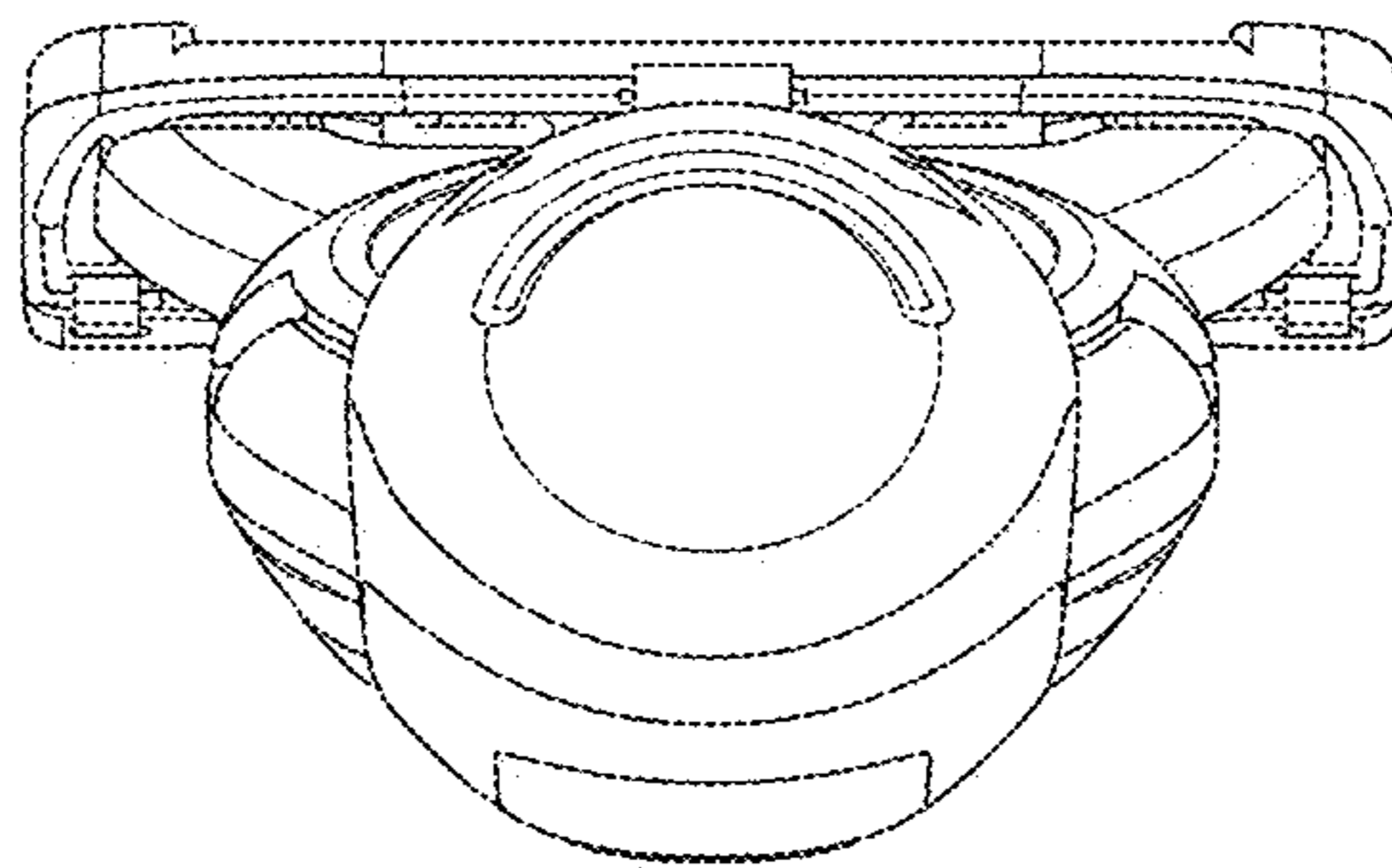


FIG. 7

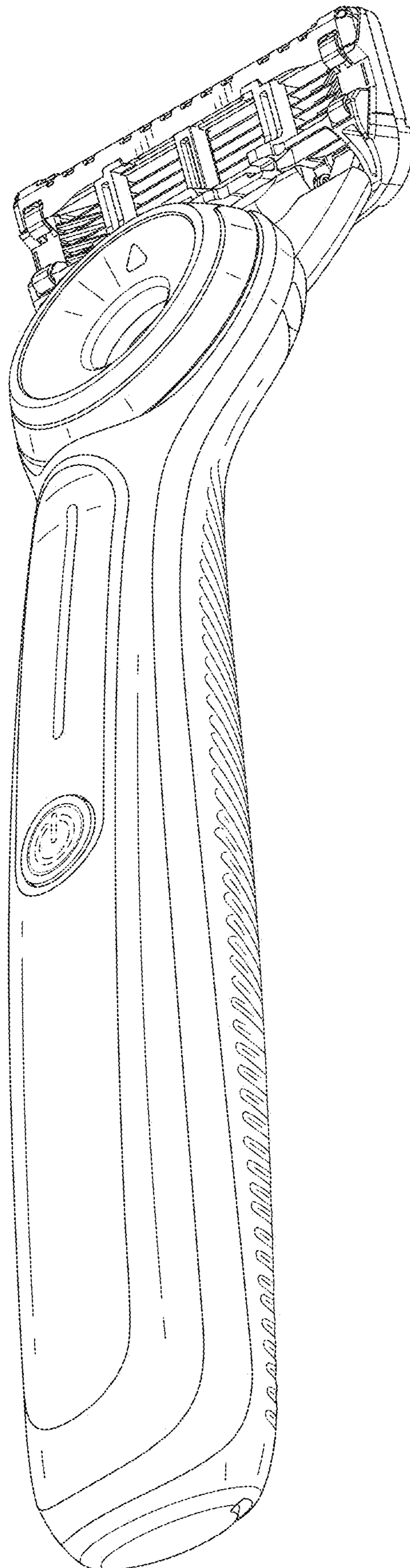


FIG. 8