



US00D882872S

(12) **United States Design Patent**
Park

(10) **Patent No.:** **US D882,872 S**

(45) **Date of Patent:** **** Apr. 28, 2020**

(54) **GROOMING DEVICE**

(71) Applicant: **Don Park**, Carlstadt, NJ (US)

(72) Inventor: **Don Park**, Carlstadt, NJ (US)

(**) Term: **15 Years**

(21) Appl. No.: **29/677,281**

(22) Filed: **Jan. 18, 2019**

(51) **LOC (12) Cl.** **28-03**

(52) **U.S. Cl.**
USPC **D28/23; D4/117**

(58) **Field of Classification Search**
USPC D28/7, 20-34; D32/49; D30/158, 159
CPC A45D 24/00; A45D 24/02; A45D 24/04;
A45D 24/06; A45D 24/08; A45D 24/10;
A45D 24/12; A45D 24/14; A45D 24/16;
A45D 24/18; A45D 24/20; A45D 24/22;
A45D 24/24; A45D 24/26; A45D 24/28;
A45D 24/30; A45D 24/032; A45D 24/34

See application file for complete search history.

(56) **References Cited**

U.S. PATENT DOCUMENTS

D159,106 S *	6/1950	Stamp	D4/117
D289,463 S *	4/1987	Jones	D28/25
D724,266 S *	3/2015	Hill	D28/21
D742,650 S *	11/2015	Albers	D4/116
D744,758 S *	12/2015	Albers	D28/55
D823,003 S *	7/2018	Lafortune	D4/117
D844,332 S *	4/2019	Park	D4/120
2016/0262529 A1 *	9/2016	DeRicco	A46B 5/0016
2018/0199793 A1 *	7/2018	Rosin	A46B 5/0016

* cited by examiner

Primary Examiner — Zenia I Bennett

(74) *Attorney, Agent, or Firm* — John H. Choi & Associates

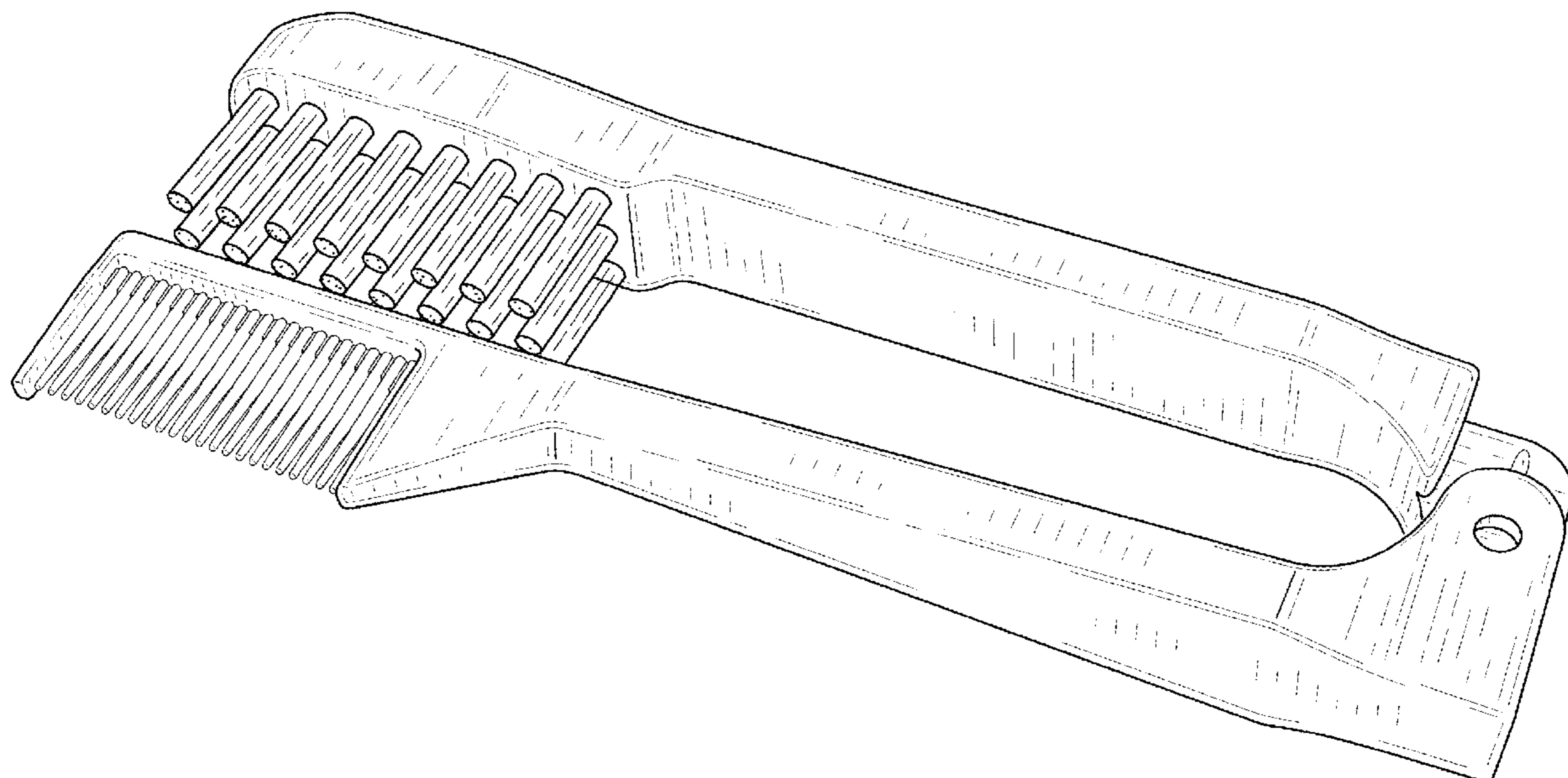
(57) **CLAIM**

The ornamental design for a grooming device, as shown and described.

DESCRIPTION

FIG. 1 is a bottom rear right side perspective view of an embodiment of the grooming device showing my new design in a closed configuration;
 FIG. 2 is a front plan view of the grooming device of FIG. 1;
 FIG. 3 is a rear plan view of the grooming device of FIG. 1;
 FIG. 4 is a left side view of the grooming device of FIG. 1, with the right side view being a mirror image of the left side view;
 FIG. 5 is a bottom plan view of the grooming device of FIG. 1;
 FIG. 6 is a top plan view of the grooming device of FIG. 1;
 FIG. 7 is a bottom front right side view of the grooming device of FIG. 1 in an open configuration;
 FIG. 8 is a front plan view of the grooming device of FIG. 7;
 FIG. 9 is a rear plan view of the grooming device of FIG. 7;
 FIG. 10 is a left side plan view of the grooming device of FIG. 7, with the right side view being a mirror image of the left side view;
 FIG. 11 is a top plan view of the grooming device of FIG. 7; and,
 FIG. 12 is a bottom plan view of the grooming device of FIG. 7.

1 Claim, 10 Drawing Sheets



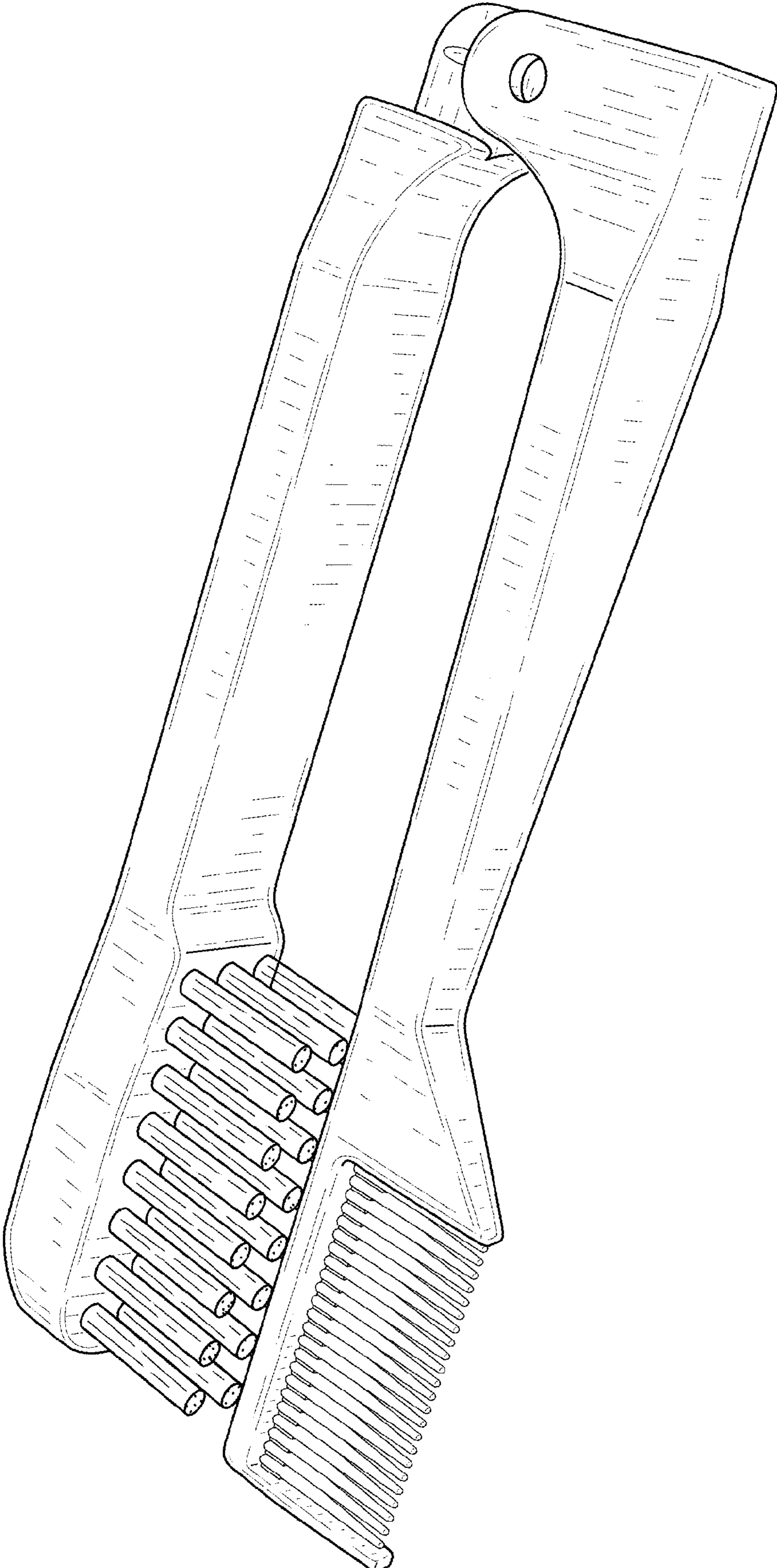


FIG. 1

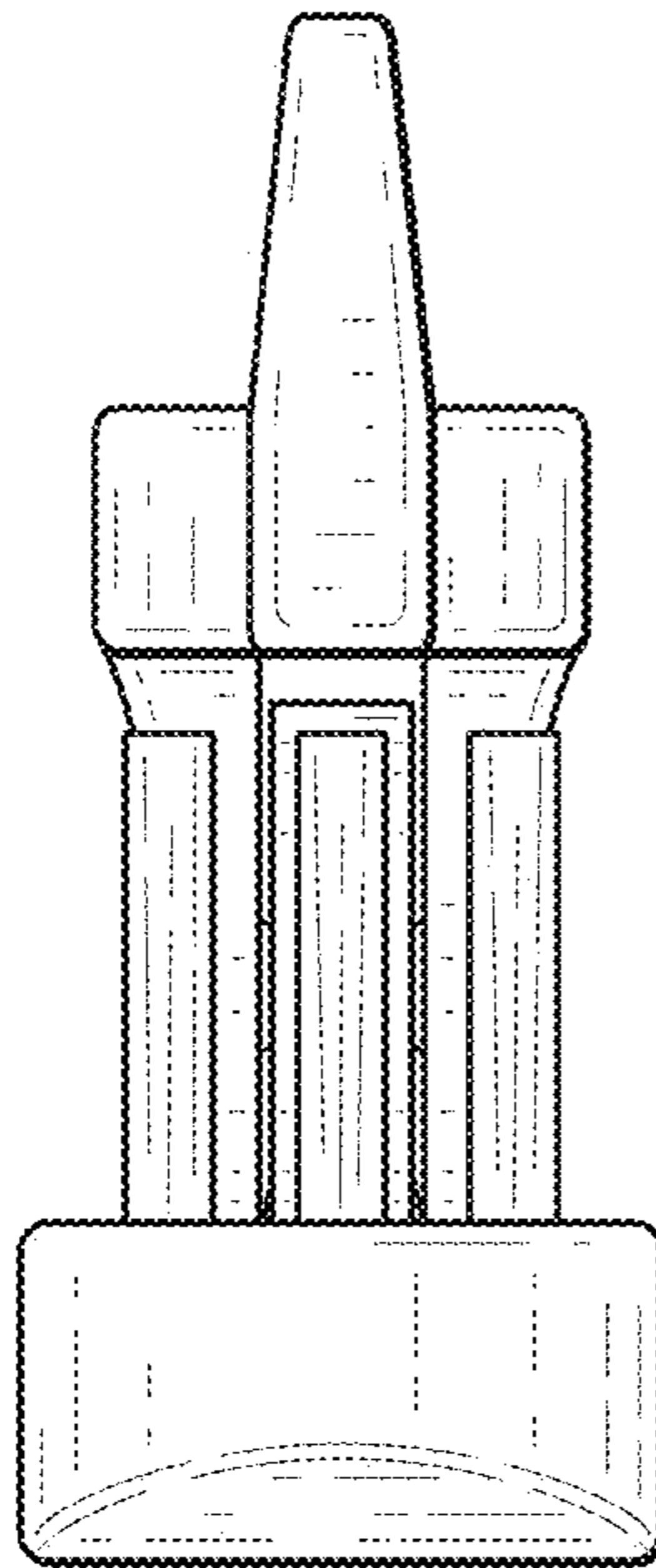


FIG. 2

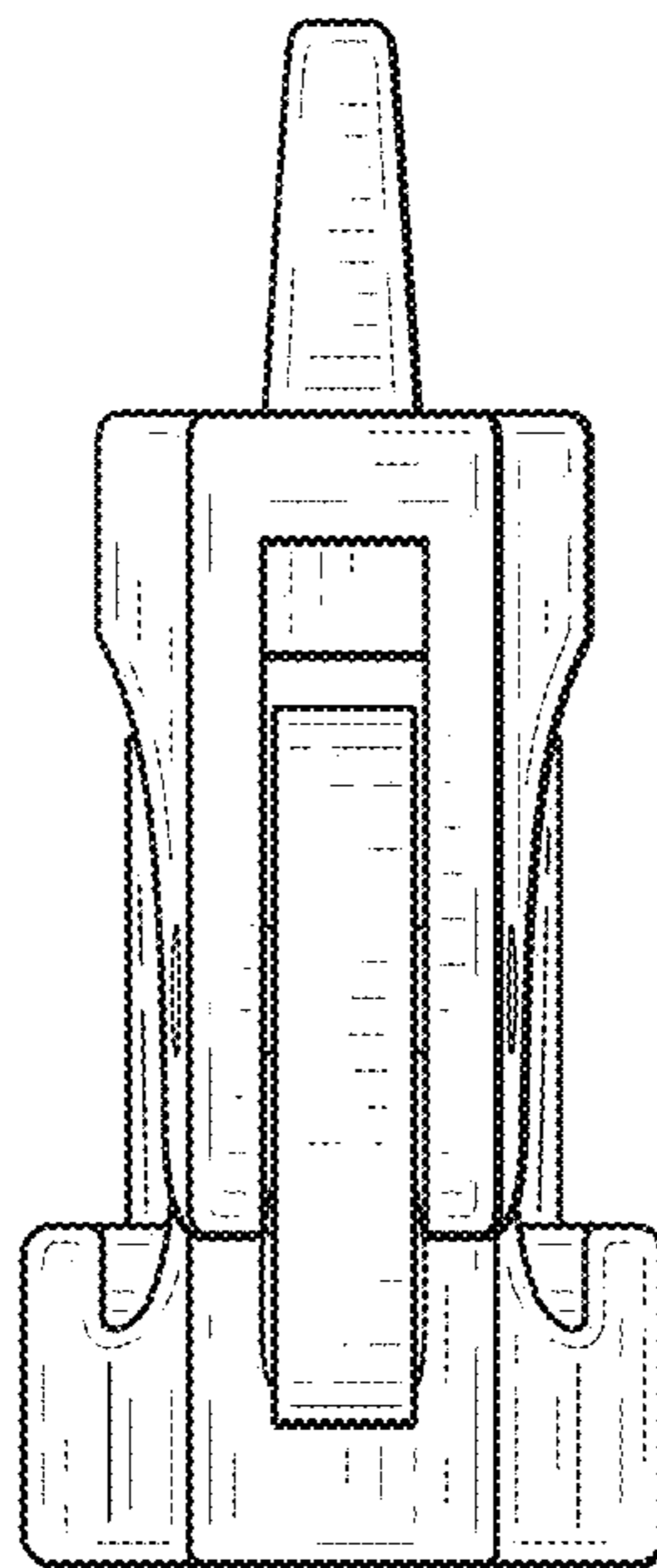


FIG. 3

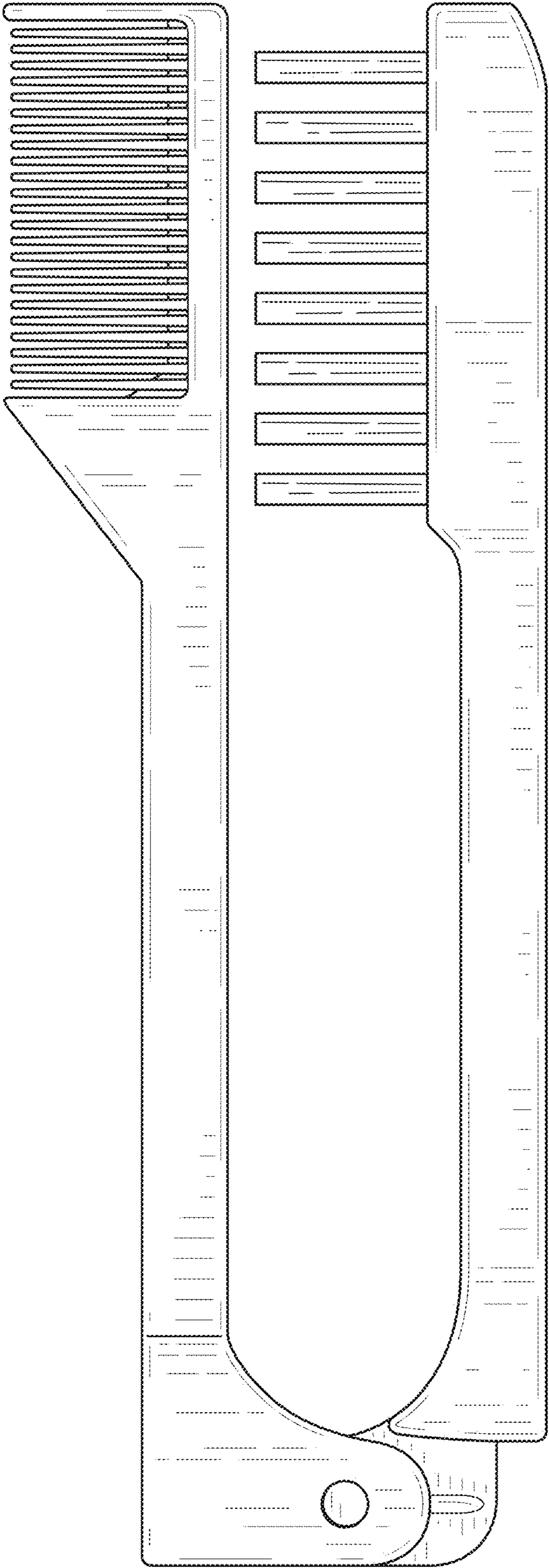


FIG. 4

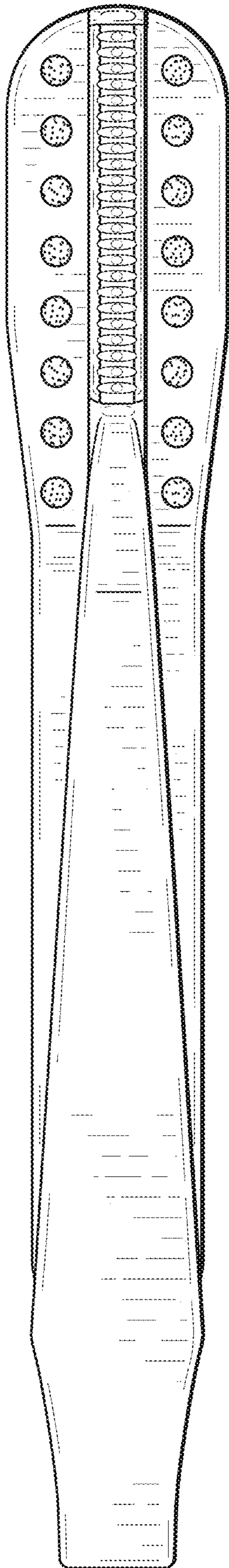


FIG. 5

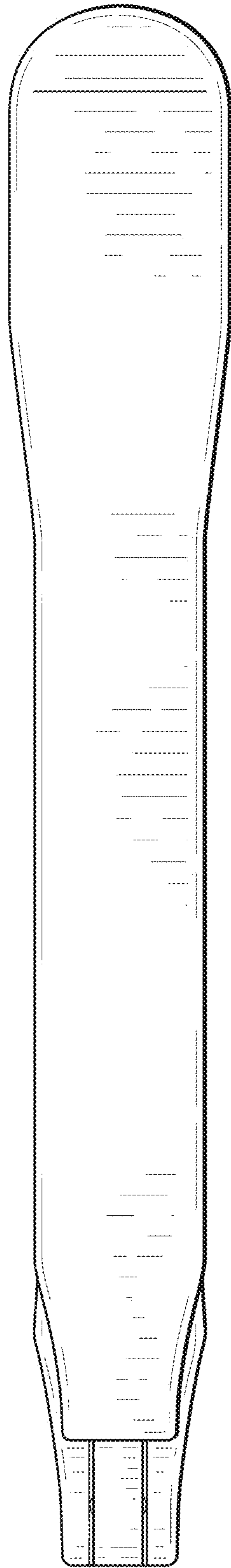


FIG. 6

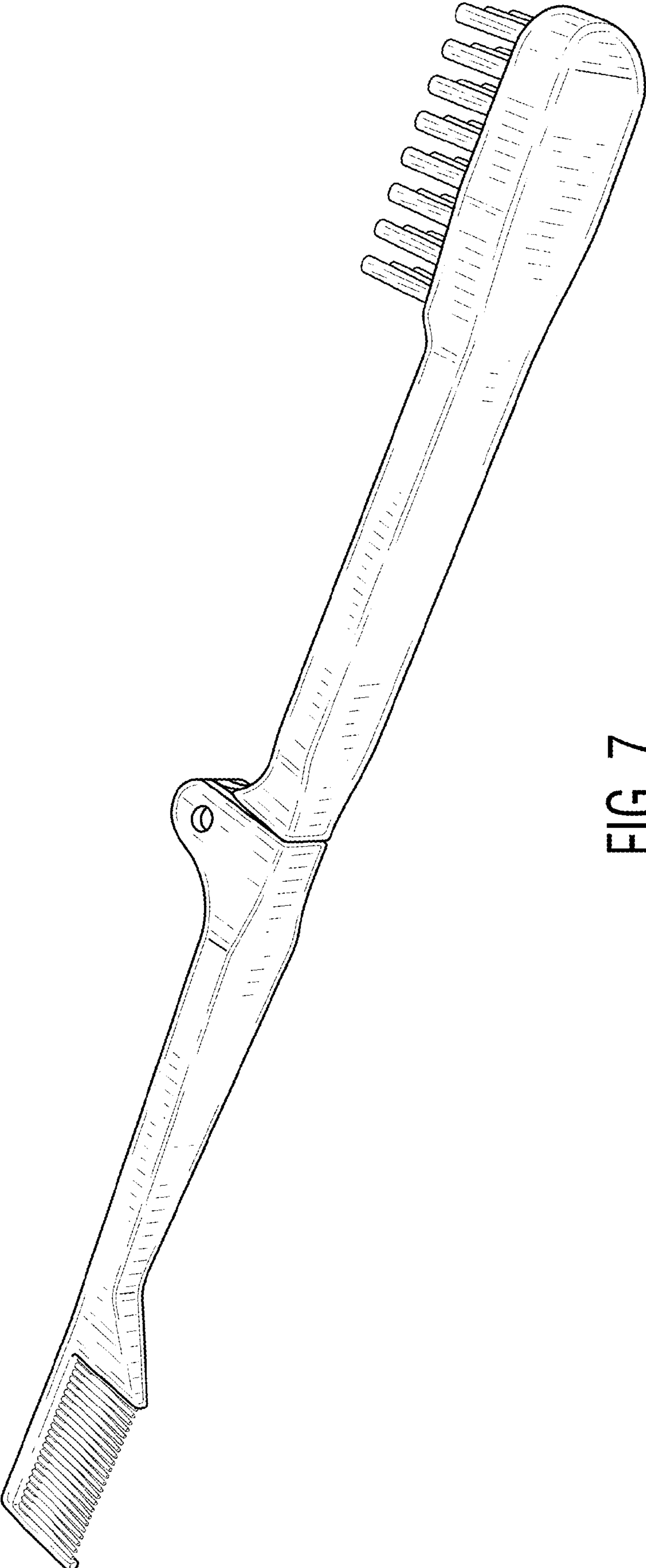


FIG. 7

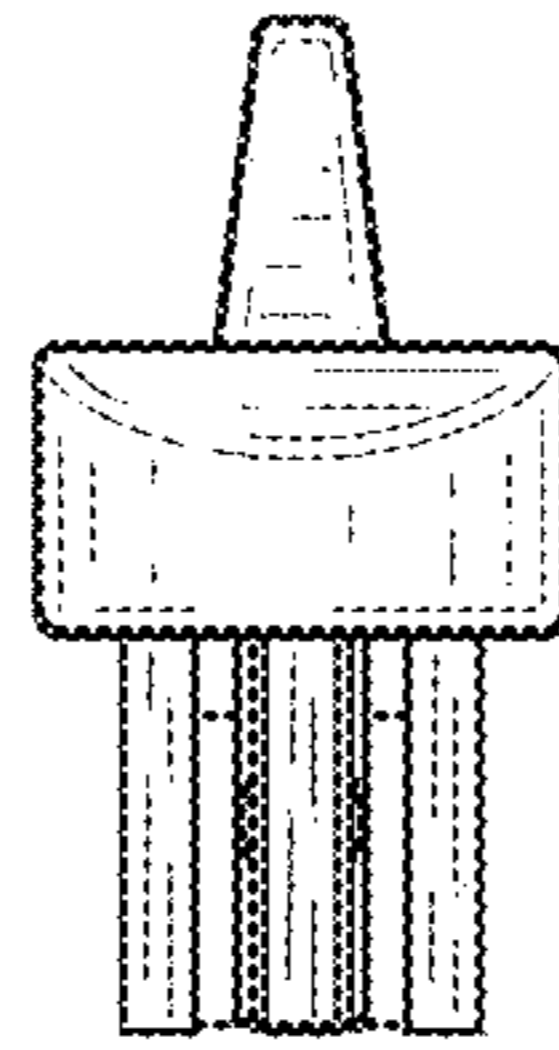


FIG. 8

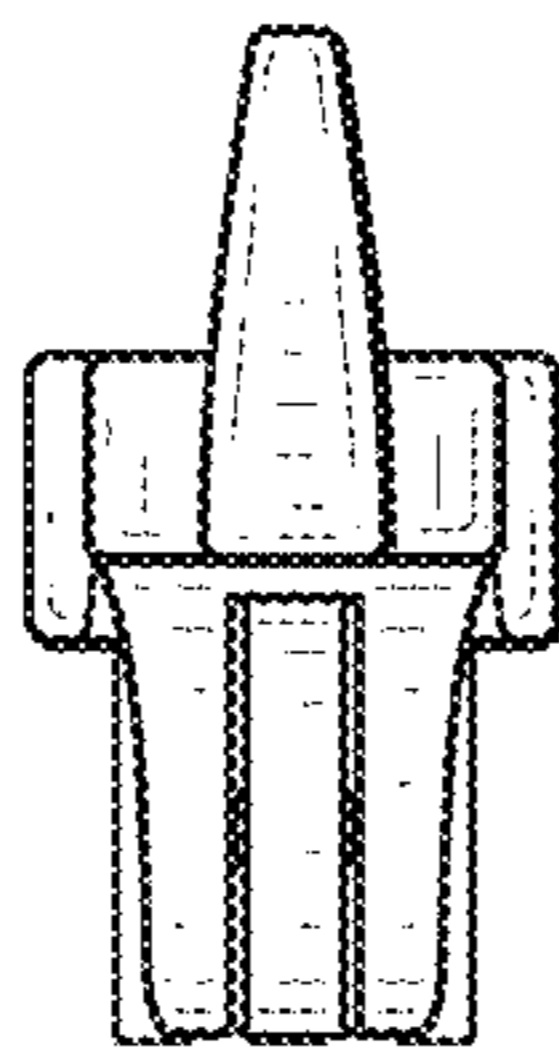


FIG. 9

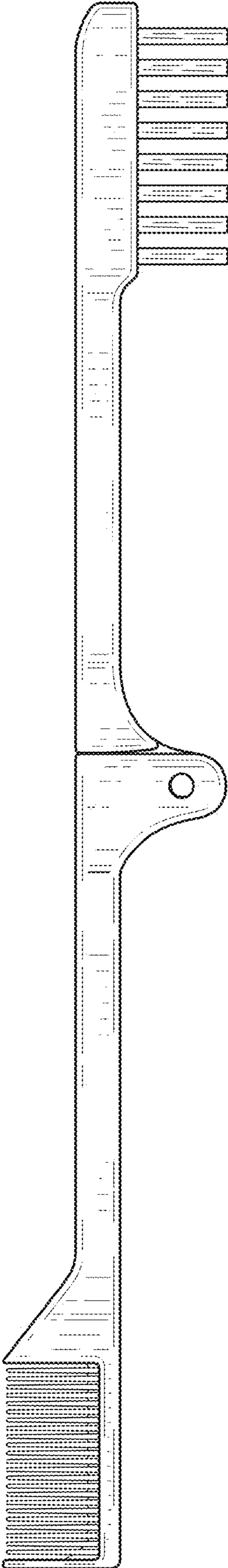


FIG. 10

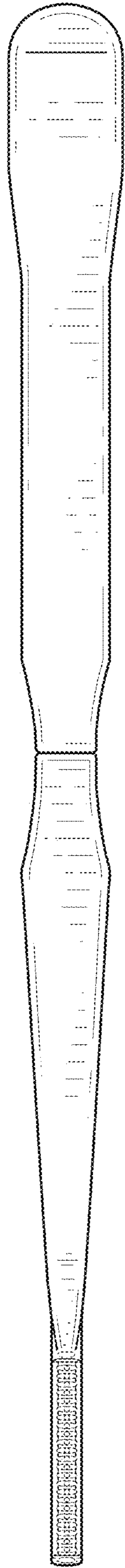


FIG. 11

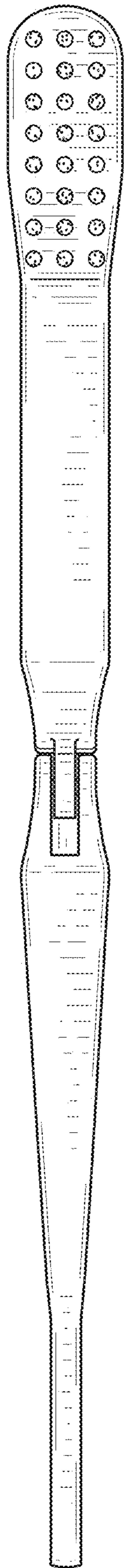


FIG. 12