



US00D882869S

(12) **United States Design Patent**
Abehasera

(10) **Patent No.:** **US D882,869 S**
(45) **Date of Patent:** **** Apr. 28, 2020**

(54) **CONTAINER**

(71) Applicant: **TRI Innovations LLC**, Hallandale
Beach, FL (US)

(72) Inventor: **Benyamin Abehasera**, Hallandale
Beach, FL (US)

(73) Assignee: **TRI INNOVATIONS LLC**, Hallandale
Beach, FL (US)

(**) Term: **15 Years**

(21) Appl. No.: **29/681,449**

(22) Filed: **Feb. 26, 2019**

(51) **LOC (12) Cl.** **27-06**

(52) **U.S. Cl.**
USPC **D27/190**

(58) **Field of Classification Search**
USPC D27/190, 194, 195, 186–189; D7/678,
D7/679; D9/648, 643; 131/178, 311,
131/322, 324; 206/265, 242; 241/169.1
CPC A47J 43/40; A47J 43/25; A47J 43/255
See application file for complete search history.

(56) **References Cited**

U.S. PATENT DOCUMENTS

D99,961 S * 6/1936 Payne D27/190
D465,135 S * 11/2002 Ng D7/679
D501,372 S * 2/2005 Lo D7/372

D517,859 S * 3/2006 Fung D7/372
D683,070 S * 5/2013 Laone D27/195
D848,843 S * 5/2019 Uetsuki D9/452
10,455,984 B1 * 10/2019 Abehasera A47J 42/30
D869,283 S * 12/2019 Groglopo Favetto D9/550
2004/0103797 A1 * 6/2004 Repac A47J 19/04
99/495

* cited by examiner

Primary Examiner — Marissa J Cash

Assistant Examiner — Rebecca Tsehaye

(74) *Attorney, Agent, or Firm* — Berger Singerman LLP;
Geoffrey Lottenberg

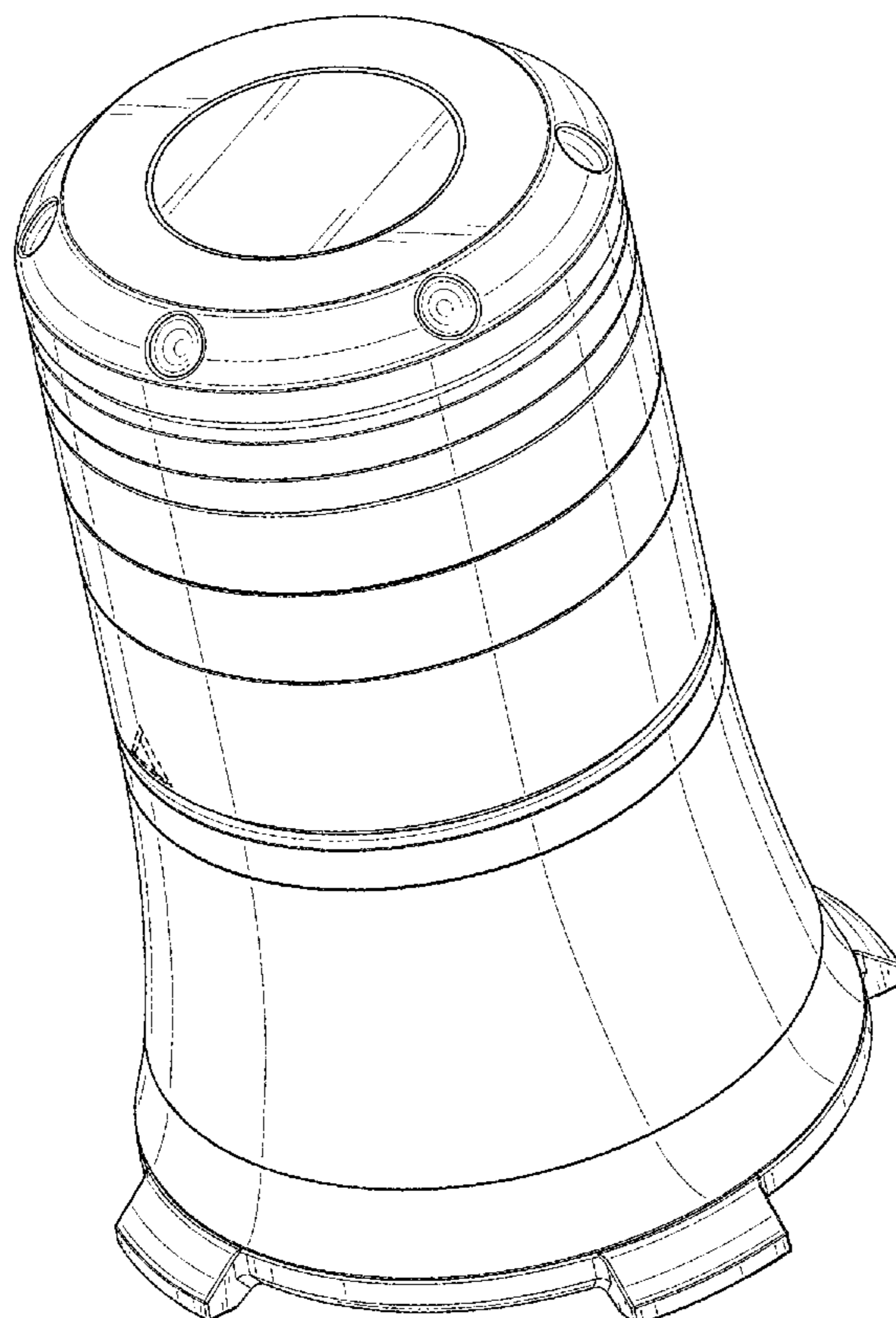
(57) **CLAIM**

The ornamental design for a container, as shown and described.

DESCRIPTION

FIG. 1 is a perspective view of the container, showing the new design;
FIG. 2 is a front side elevation view of the container;
FIG. 3 is a rear side elevation view of the container;
FIG. 4 is a left elevation view of the container;
FIG. 5 is a right elevation view of the container;
FIG. 6 is a top elevation view of the container; and,
FIG. 7 is a bottom elevation view of the container.
The broken lines in the figures illustrate the portions of the container that form no part of the claimed design.

1 Claim, 7 Drawing Sheets



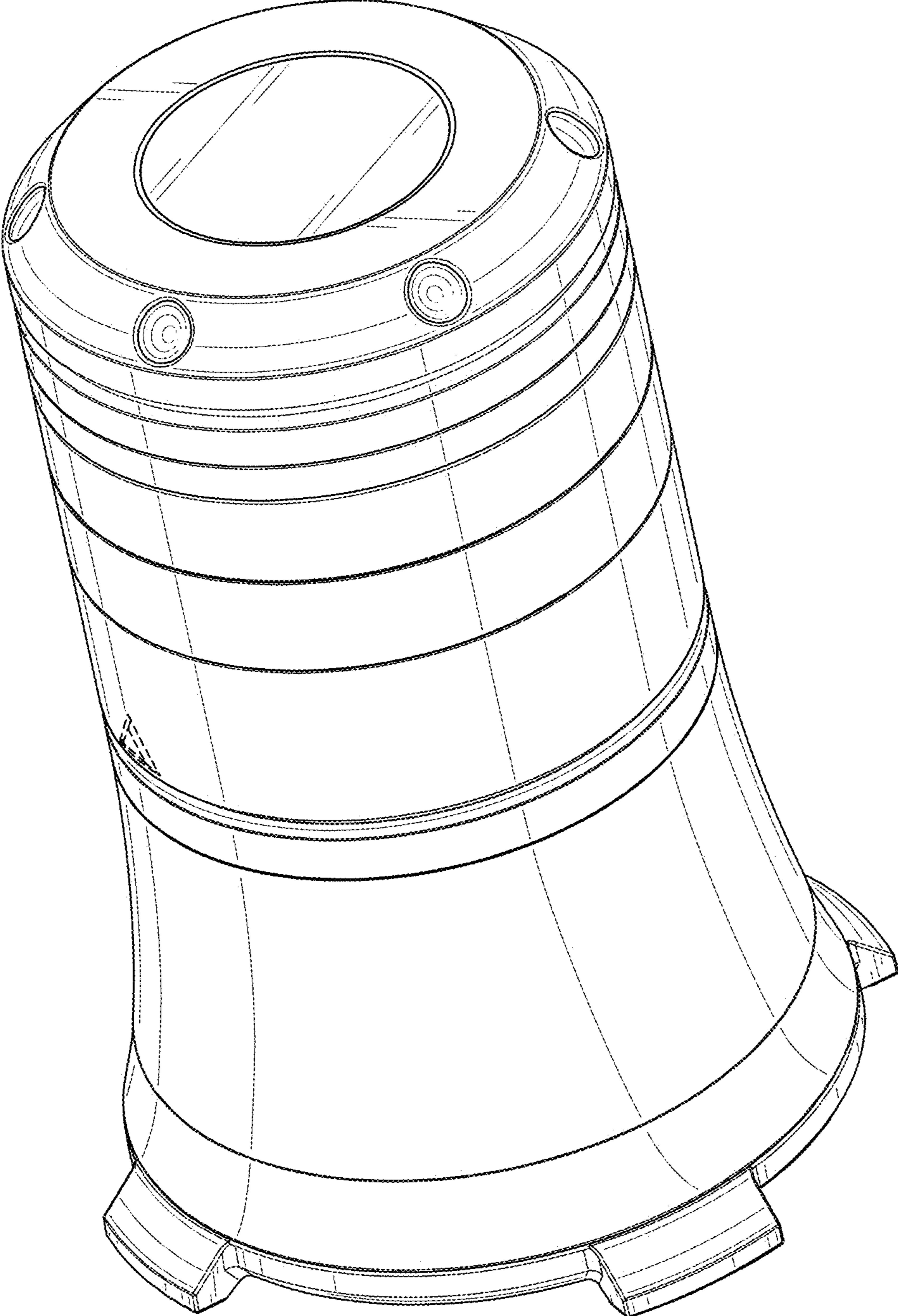


FIG. 1

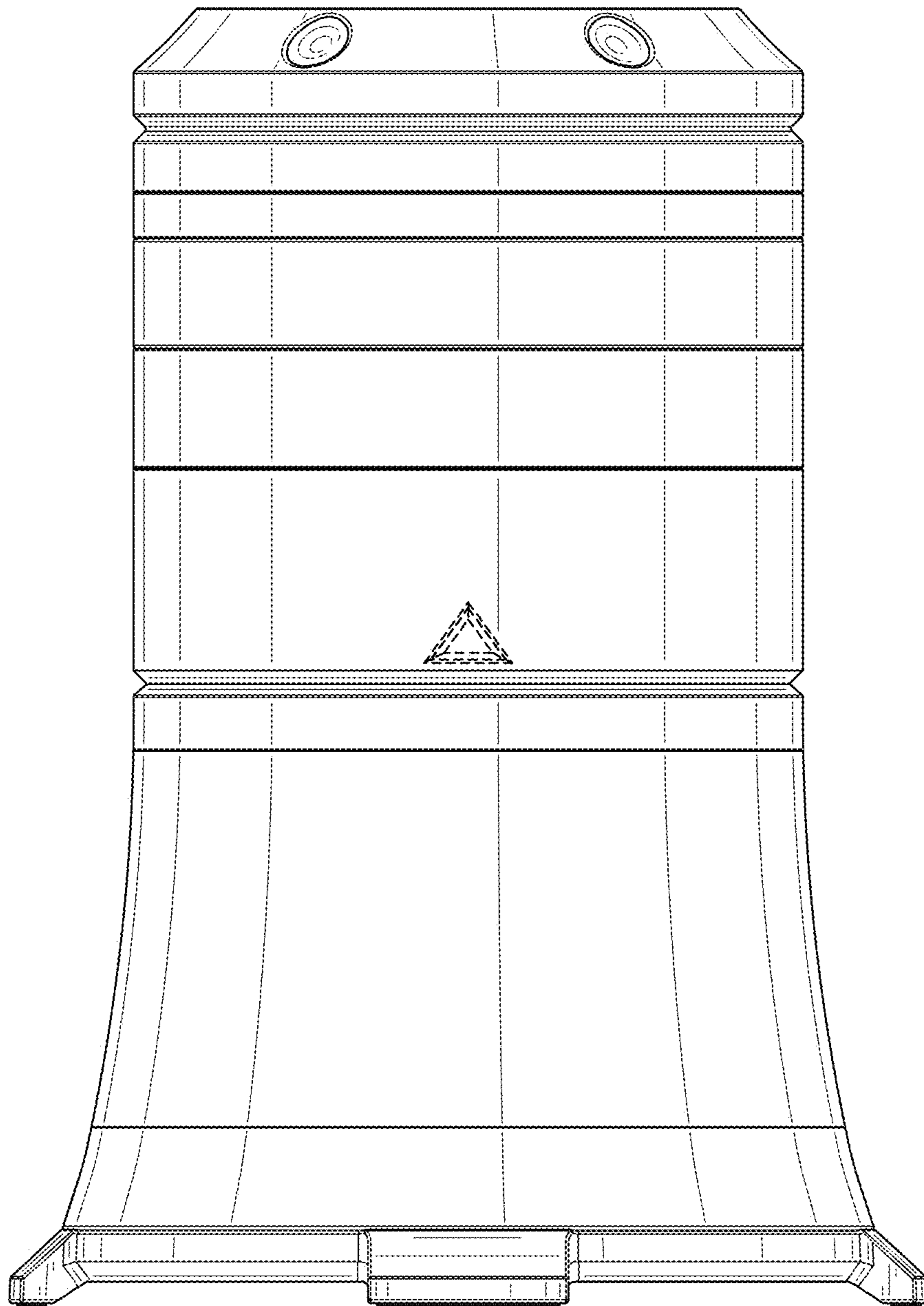


FIG. 2

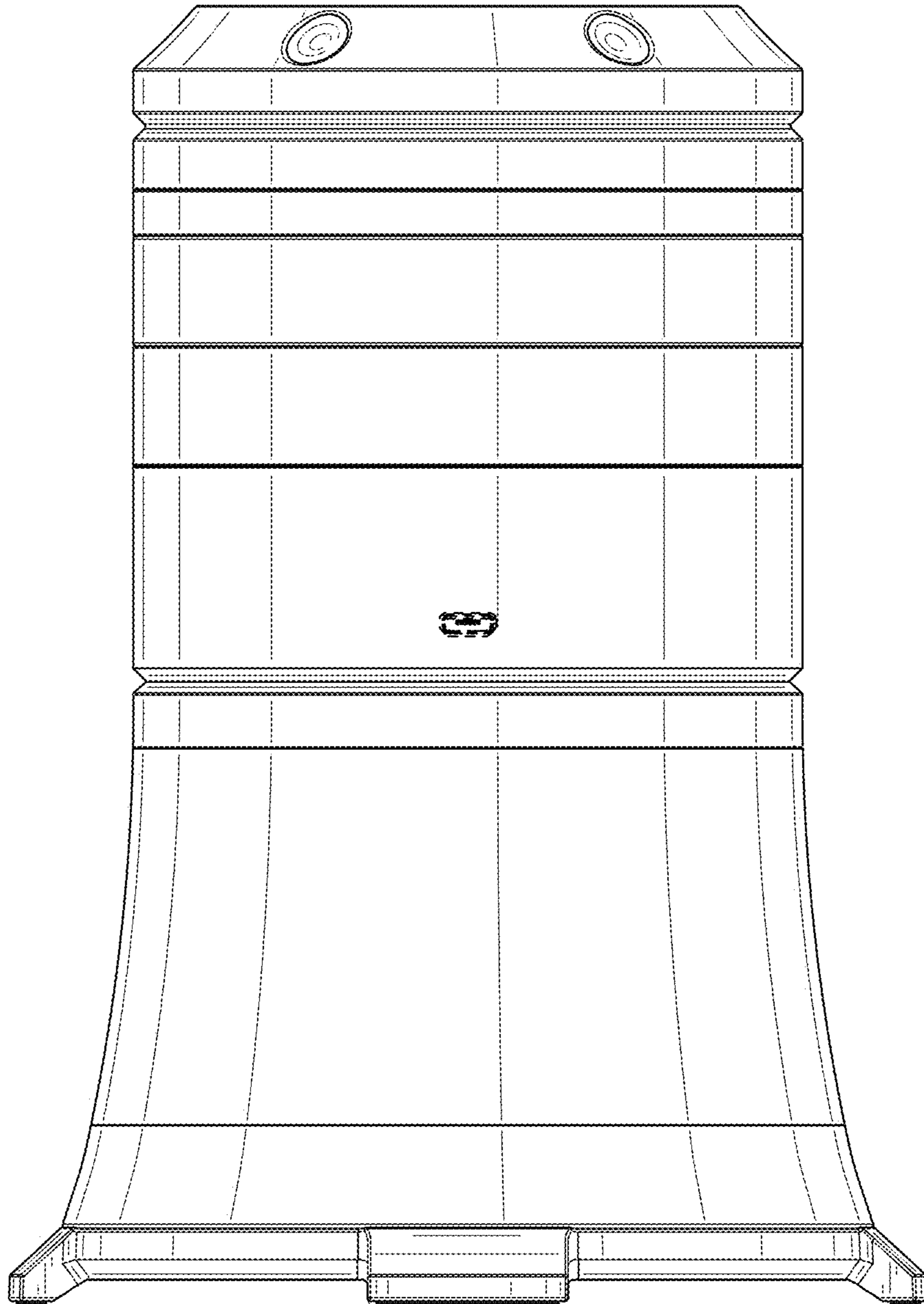


FIG. 3

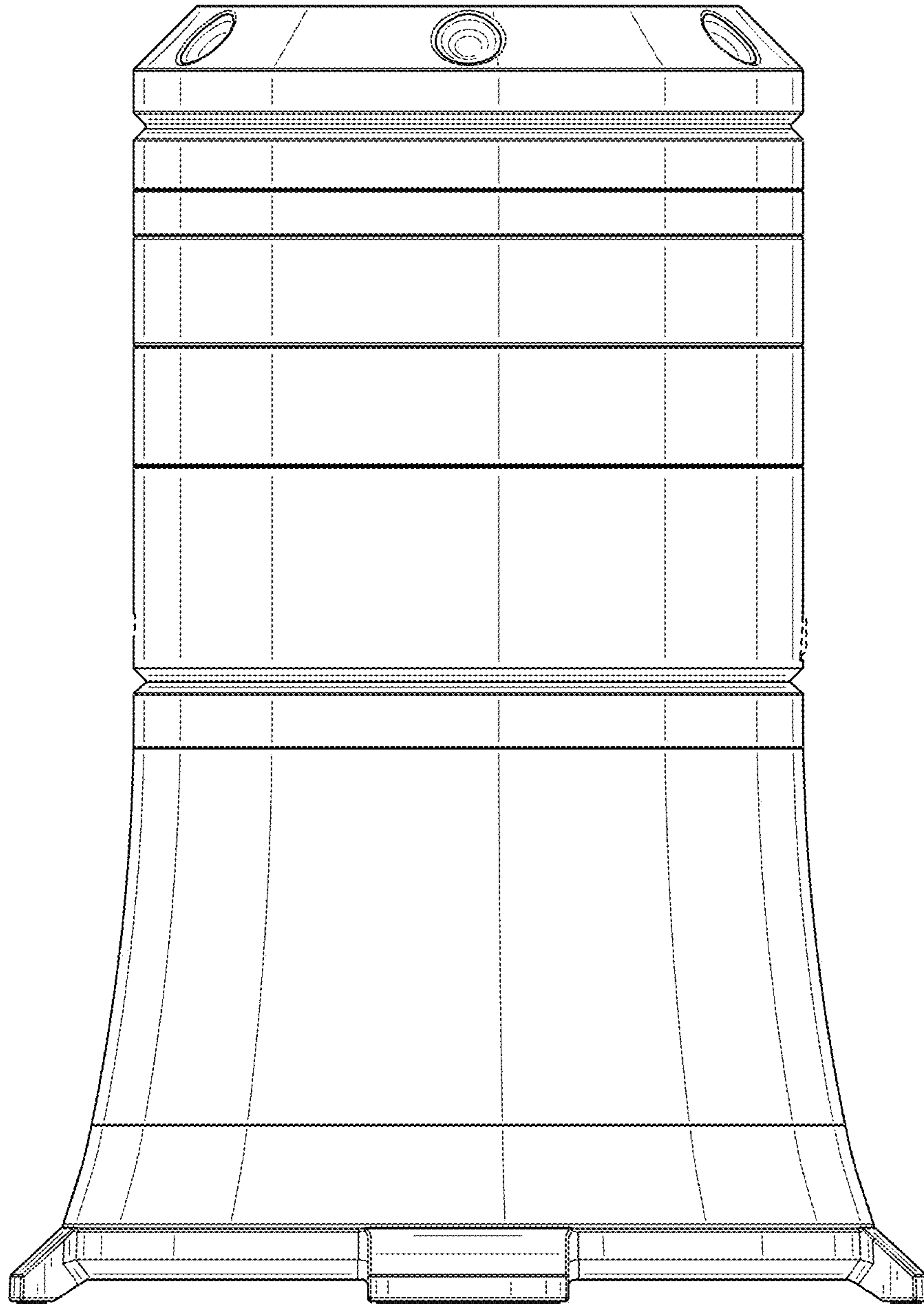


FIG. 4

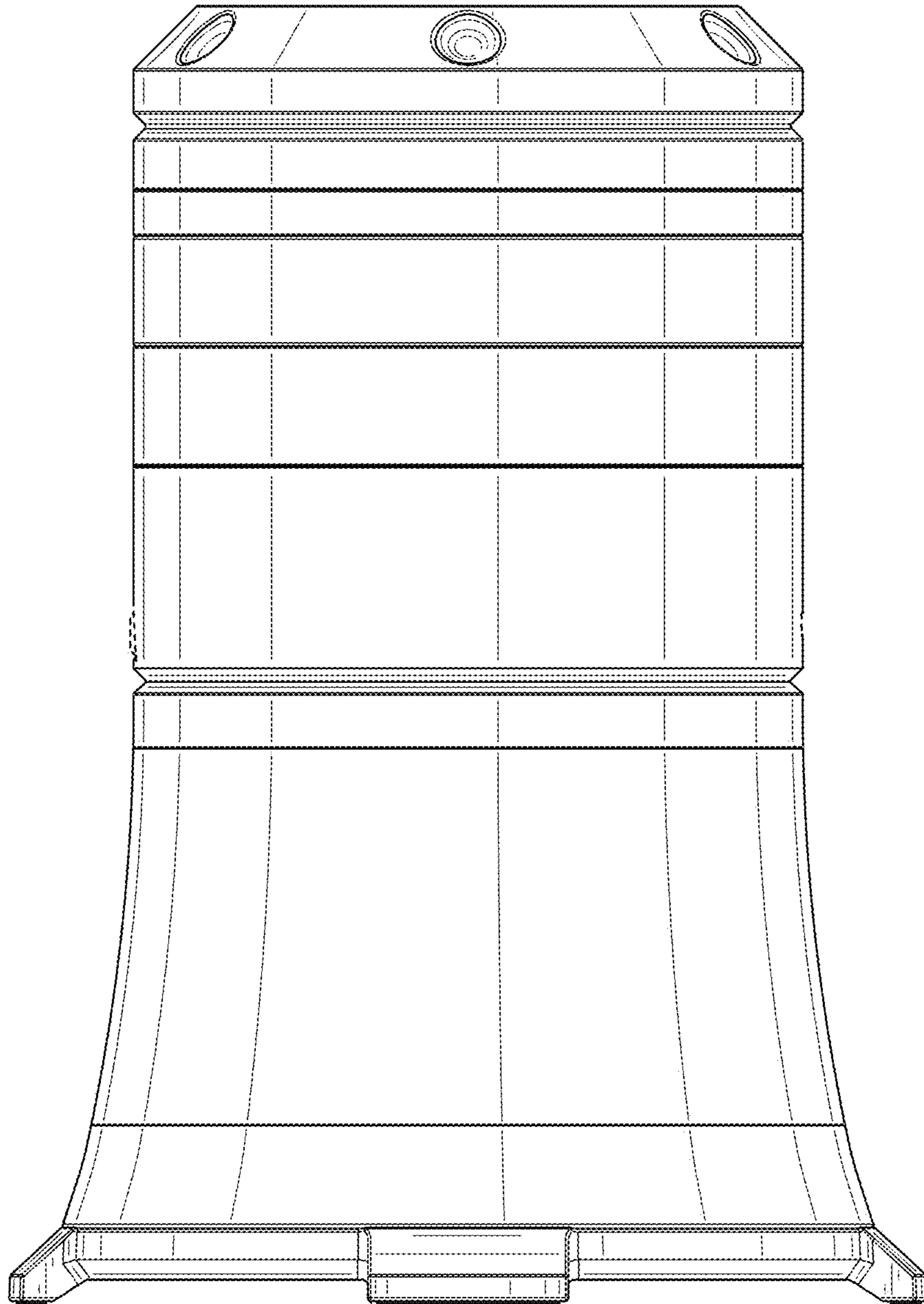


FIG. 5

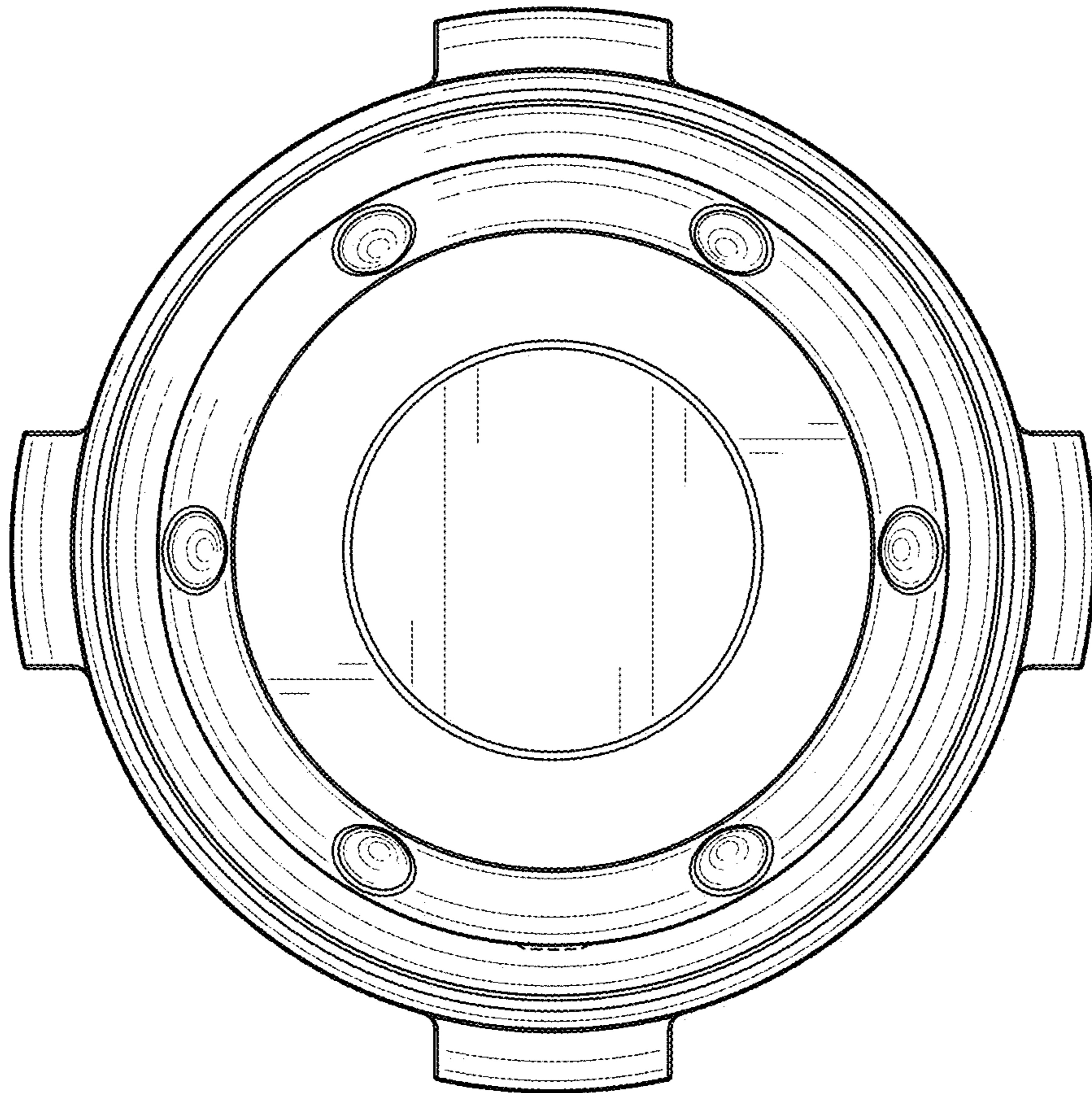


FIG. 6

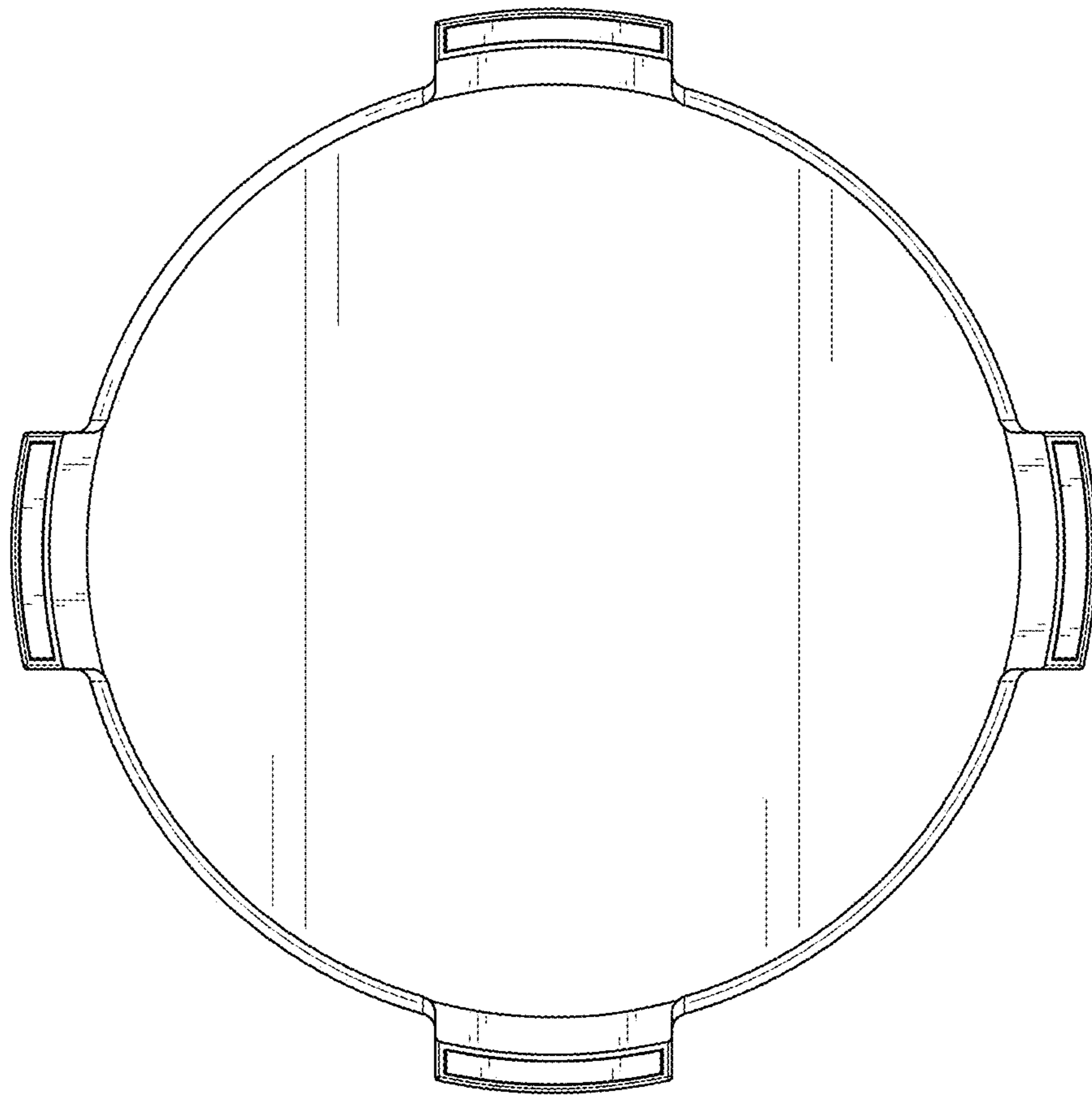


FIG. 7