



US00D882867S

(12) **United States Design Patent** (10) **Patent No.:** **US D882,867 S**
Volodarsky et al. (45) **Date of Patent:** **** Apr. 28, 2020**

(54) **GLASS TOP FOR AN ELECTRONIC VAPORIZER**

FOREIGN PATENT DOCUMENTS

(71) Applicant: **Puff Corporation**, Los Angeles, CA (US)

BR DI6002906 11/2000
CN 303259701 6/2015

(Continued)

(72) Inventors: **Roger Volodarsky**, Los Angeles, CA (US); **Avi Bajpai**, Los Angeles, CA (US); **Roger Sayre**, Los Angeles, CA (US)

OTHER PUBLICATIONS

Puffco Peak by Sneaky Pete Vaporizers. dated Apr. 23, 2018. found online [May 31, 2019] <https://www.youtube.com/watch?v=7W7zX9LCxoQ>.*

(Continued)

(73) Assignee: **PUFF CORPORATION**, Los Angeles, CA (US)

Primary Examiner — Marissa J Cash

(**) Term: **15 Years**

(74) *Attorney, Agent, or Firm* — Bryan Cave Leighton Paisner LLP

(21) Appl. No.: **29/669,756**

(57) **CLAIM**

The ornamental design for a glass top for an electronic vaporizer, as shown and described.

(22) Filed: **Nov. 11, 2018**

DESCRIPTION

(51) **LOC (12) Cl.** **27-07**

(52) **U.S. Cl.**
USPC **D27/170; D27/194**

(58) **Field of Classification Search**
USPC D27/100, 101, 162–196; D23/366;
D24/110; D19/101, 106, 115, 165, 195
CPC A24F 47/00; A24F 47/002; A24F 15/12;
A24F 1/32

See application file for complete search history.

FIG. 1 is a front perspective view of a first embodiment of our glass top for an electronic vaporizer; FIG. 2 is a front elevational view thereof; FIG. 3 is a rear elevational view thereof; FIG. 4 is an elevational view of the right side thereof; FIG. 5 is an elevational view of the left side thereof; FIG. 6 is a top plan view; FIG. 7 is a bottom plan view; FIG. 8 is a front perspective view of a second embodiment of our glass top for an electronic vaporizer; FIG. 9 is a front elevational view thereof; FIG. 10 is a rear elevational view thereof; FIG. 11 is an elevational view of the right side thereof; FIG. 12 is an elevational view of the left side thereof; FIG. 13 is a top plan view; and, FIG. 14 is a bottom plan view.

The broken lines in the drawings depict portions of the glass top for an electronic vaporizer that form no part of the claimed design.

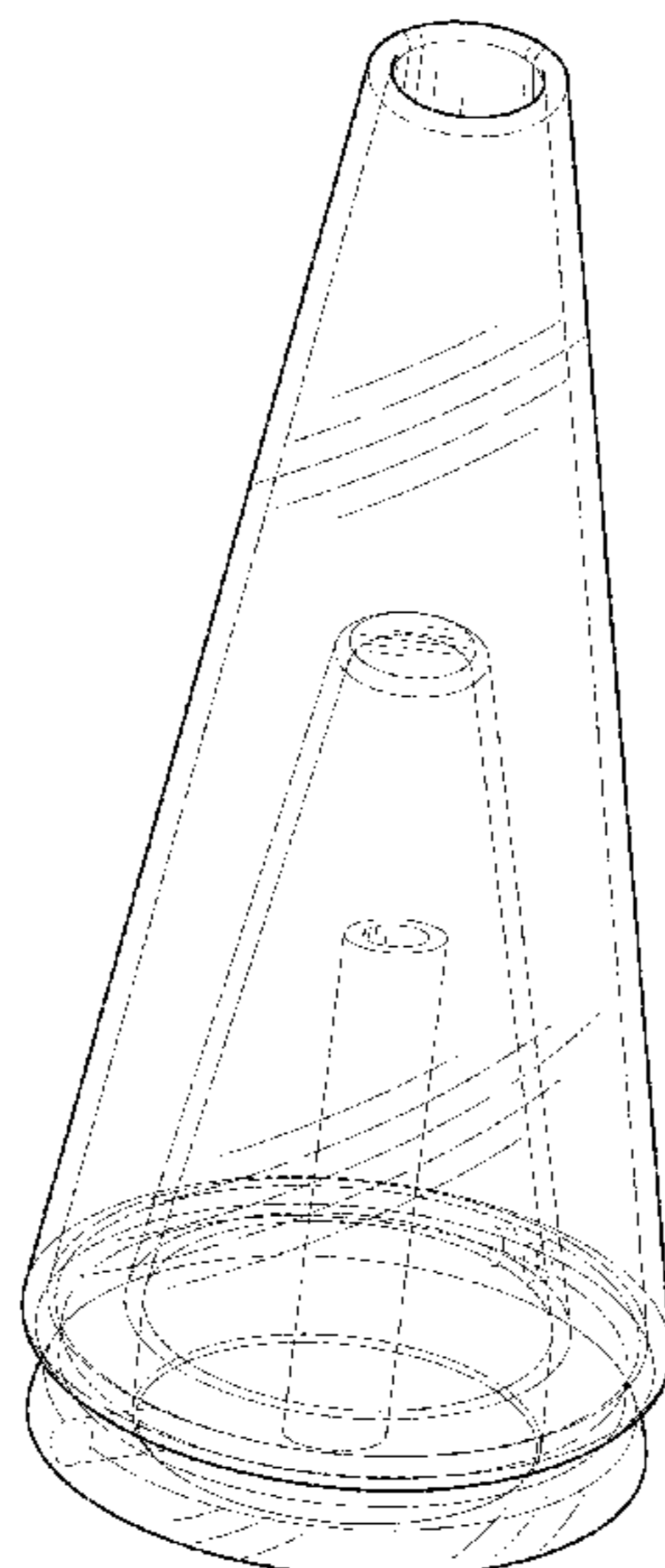
(56) **References Cited**

U.S. PATENT DOCUMENTS

D232,355 S * 8/1974 Wiedmann D24/224
D244,555 S * 5/1977 Wiedmann D24/224
D246,600 S * 12/1977 Kurata D24/224
D306,478 S * 3/1990 von Philipp D23/366
4,960,206 A * 10/1990 Johannes B65D 55/028
206/459.1
D413,172 S * 8/1999 Belschner D26/11
D427,691 S * 7/2000 Asselta D24/224

(Continued)

1 Claim, 8 Drawing Sheets



(56)

References Cited

U.S. PATENT DOCUMENTS

D460,545 S * 7/2002 Hautmann D23/366
 D465,031 S * 10/2002 Lodge D24/224
 D470,235 S * 2/2003 Kumar D24/121
 D485,639 S * 1/2004 Stronski D27/170
 D543,312 S * 5/2007 Guan D27/170
 D581,035 S * 11/2008 Conway D23/366
 D588,687 S * 3/2009 Drucker D23/366
 D597,191 S * 7/2009 Colombo D23/366
 D605,303 S * 12/2009 Monks D24/224
 D608,879 S * 1/2010 Colombo D23/366
 D613,389 S * 4/2010 Jorgensen D23/366
 D613,390 S * 4/2010 Jorgensen D23/366
 D613,624 S * 4/2010 Bodum D10/46.2
 D634,832 S * 3/2011 Abbondanzio D23/366
 D634,977 S * 3/2011 Mouquet D7/317
 D652,571 S 1/2012 Shenassa et al.
 D661,827 S * 6/2012 Moetteli D26/11
 D670,578 S * 11/2012 Perry D10/46.2
 D674,892 S * 1/2013 Denton D24/110
 D675,308 S * 1/2013 Freeborn D23/366
 D702,090 S * 4/2014 Hogg D7/591
 D709,624 S * 7/2014 Baum D24/224
 D713,100 S * 9/2014 Salgueiro D30/105
 D720,064 S * 12/2014 Li D23/366
 D724,779 S * 3/2015 Liu D27/101
 D728,155 S * 4/2015 Liu D27/101
 D728,382 S * 5/2015 Goswell D9/504
 D729,441 S * 5/2015 Hua D27/101
 D752,279 S * 3/2016 Liu D27/101
 D752,280 S * 3/2016 Verleur D27/167
 D757,996 S * 5/2016 Hua D27/101
 D769,519 S * 10/2016 Chen D27/101
 D772,478 S * 11/2016 Liu D27/167
 D774,247 S * 12/2016 Chen D27/101
 D778,460 S * 2/2017 Marechal D24/224
 D790,122 S * 6/2017 Hawes D27/101
 D792,645 S * 7/2017 Fornarelli D27/167
 D801,545 S * 10/2017 Wiesli D24/224
 D806,941 S * 1/2018 Hawes D27/101
 D809,190 S * 1/2018 Schuler D27/101
 D811,931 S * 3/2018 Yu D11/131.1
 D812,736 S * 3/2018 Parker D24/110
 D813,448 S * 3/2018 Servutas D27/167
 D814,103 S * 3/2018 Levinson D27/101
 D818,638 S * 5/2018 Wright D27/170
 D823,534 S * 7/2018 Chen D27/162
 D824,586 S * 7/2018 Fornarelli D27/194
 D825,844 S * 8/2018 Verleur D27/167
 D827,149 S * 8/2018 Self D24/224
 D827,152 S * 8/2018 Ou D24/224
 D828,623 S * 9/2018 Fornarelli D27/194
 D833,030 S * 11/2018 Sasano D24/224
 D837,999 S * 1/2019 Sasano D24/224
 D839,446 S * 1/2019 Sasano D24/224
 D844,441 S * 4/2019 DeMarco D9/504
 D847,419 S * 4/2019 Hawes D27/194
 D848,673 S * 5/2019 Xu D27/183
 D849,318 S * 5/2019 Deng D27/162
 10,321,714 B1 6/2019 Kane
 2010/0104993 A1 * 4/2010 Ryser F23D 3/16
 2013/0319437 A1 12/2013 Liu 431/252

2014/0083441 A1 3/2014 Kaplani
 2014/0290677 A1 * 10/2014 Liu A24F 47/008
 131/329
 2015/0122275 A1 5/2015 Wu
 2015/0257444 A1 * 9/2015 Chung A24F 47/008
 131/329
 2016/0015082 A1 * 1/2016 Liu A24F 47/008
 131/329
 2016/0302486 A1 10/2016 Eroch
 2016/0366936 A1 12/2016 Liu
 2017/0027230 A1 2/2017 Fornarelli
 2017/0055579 A1 3/2017 Kuna
 2017/0055588 A1 3/2017 Cameron
 2017/0064994 A1 * 3/2017 Xu A24F 47/002
 2017/0105451 A1 * 4/2017 Fornarelli A24F 47/008
 2017/0202265 A1 7/2017 Hawes et al.
 2017/0251718 A1 9/2017 Armoush
 2018/0125115 A1 5/2018 Mueller
 2018/0271150 A1 9/2018 Sparklin
 2019/0000138 A1 * 1/2019 Han A24F 1/28
 2019/0174825 A1 6/2019 Neuhaus

FOREIGN PATENT DOCUMENTS

DE	40010509	1/2001
ES	D0518135	11/2013
FR	960094	5/1996
MX	22818	5/2007

OTHER PUBLICATIONS

Puffco Peak Travel Pak retrieved from web page located at planetvape.ca, Jul. 10, 2018.
 Koerber, B., This weed company just made a smart bong and it's awesome, Mashable, located at mashable.com/2018/01/08/puffco-peak-smart-bong-dab-rig-concentrates/ Jan. 8, 2018.
 Tarantola, A., The Puffco Peak vaporizer is a quick hit of concentrated genius, Engadget, located at www.engadget.com/2018/03/16/puffco-peak-vaporizer-hands-on/?guccounter=1 Mar. 18, 2018.
 Puff Co., Peak Atomizer Assembly posted on Instagram retrieved from www.instagram.com/p/BfMk5MKIBp1/ Feb. 14, 2018.
 Puff Co. Glass Attachment Video posted on Instagram retrieved from www.instagram.com/p/Bd3DfMRIWLo/ Jan. 12, 2018.
 Puff Co., Puffco Peak Case posted on Instagram retrieved from www.instagram.com/p/Bd027vflYzM/ Jan. 11, 2018.
 Puff Co., Puffco Peak Launch Video posted on Instagram retrieved from www.instagram.com/p/BdtMs4qIHnH/ Jan. 8, 2018.
 Puff Co., Puffco Peak Hero Shot posted on Instagram retrieved from www.instagram.com/p/BdybEMAI_zX/ Jan. 10, 2018.
 Puff Co., Reservations are now open for Peak Atomizer Assembly, retrieved from web.archive.org/web/20180224162936/https://www.puffco.com/ Feb. 24, 2018.
 Puff Co., Peak Video posted on Instagram retrieved from www.instagram.com/p/Bd-oaEkFrXC/ Jan. 15, 2018.
 Puff Co., Puffco Peak Video posted on Instagram retrieved from www.instagram.com/p/BdtMs4qIHnH/ Jan. 8, 2018.
 Puff Co., Introducing the Peak, retrieved from vimeo.com/257080728 Feb. 28, 2018.

* cited by examiner

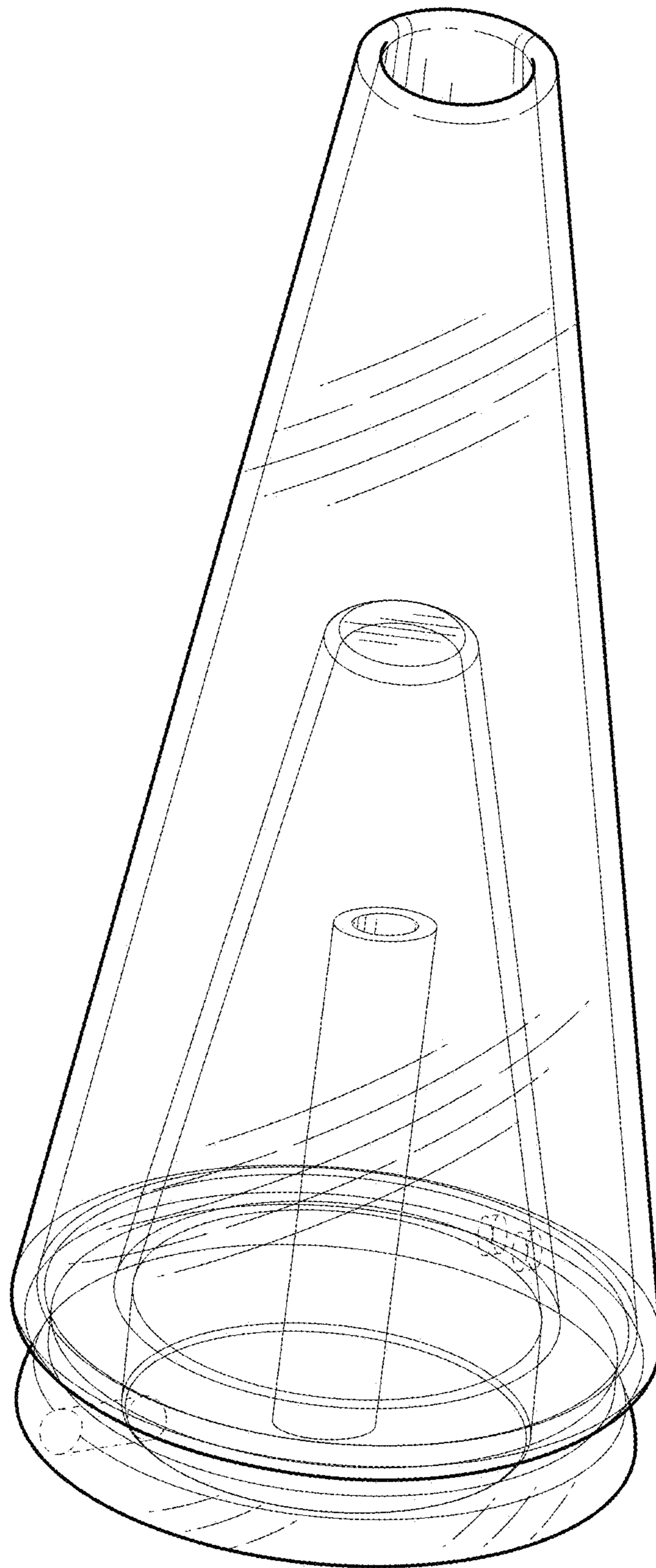


FIG. 1

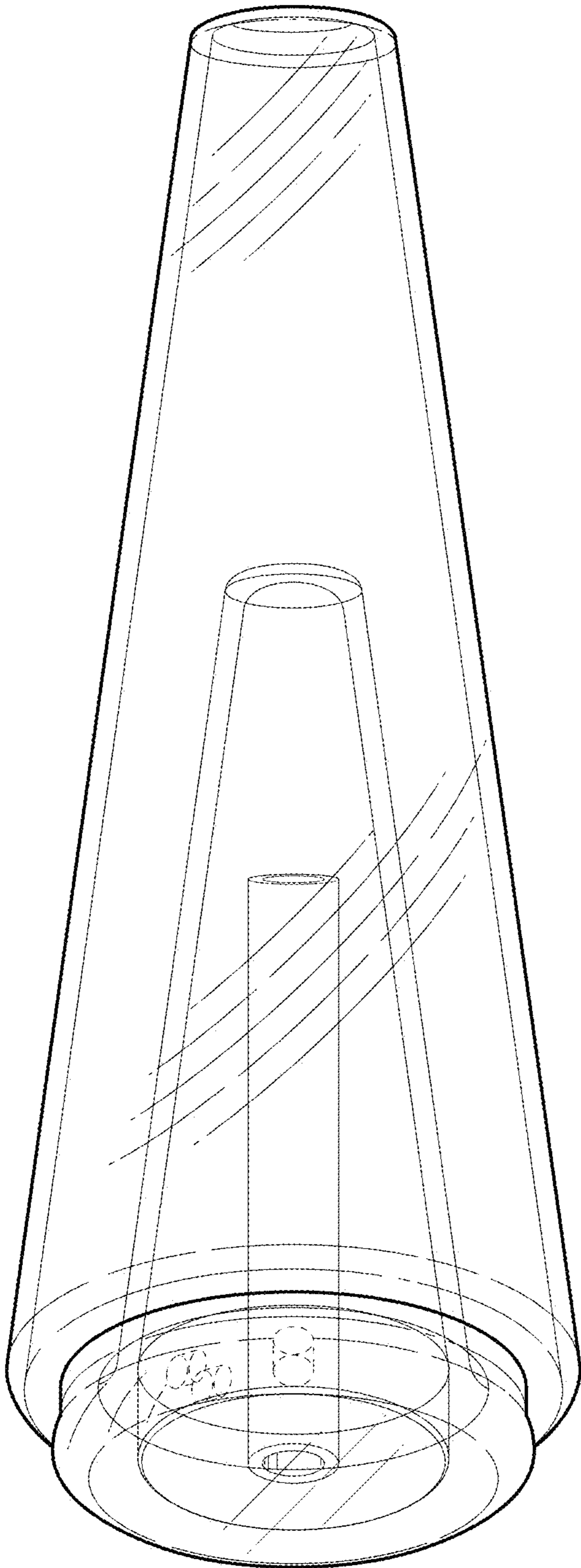


FIG. 2

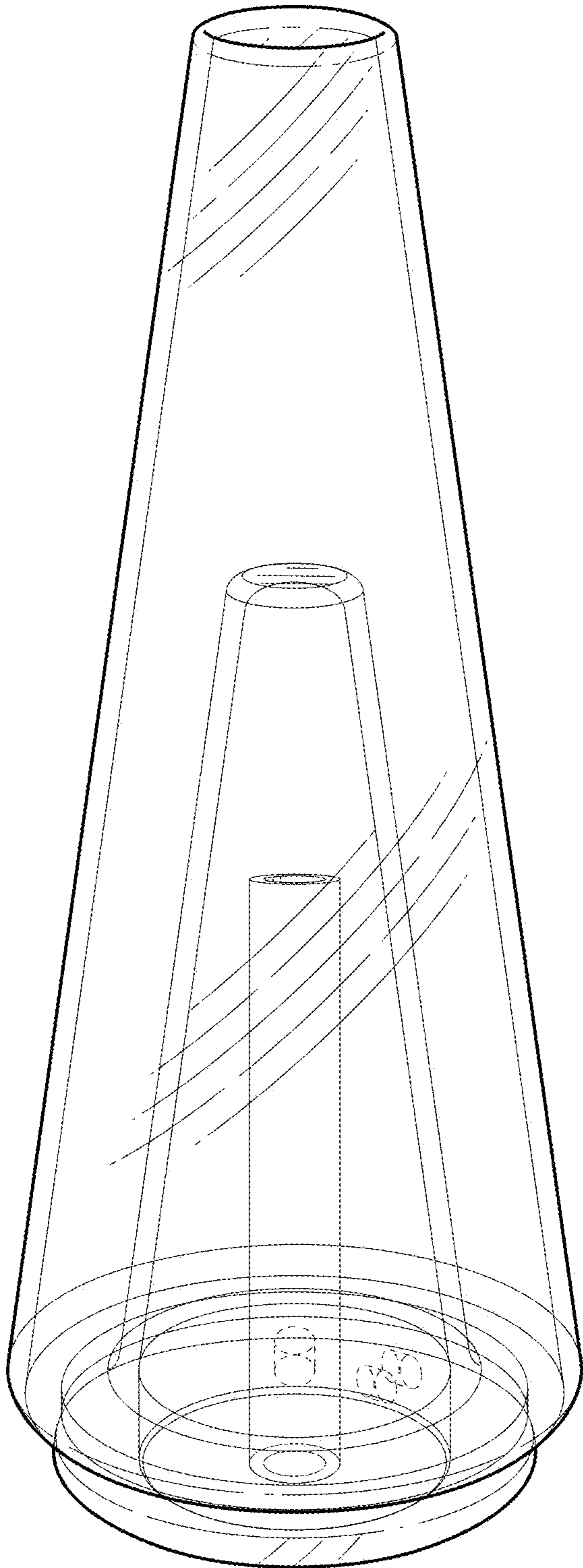


FIG. 3

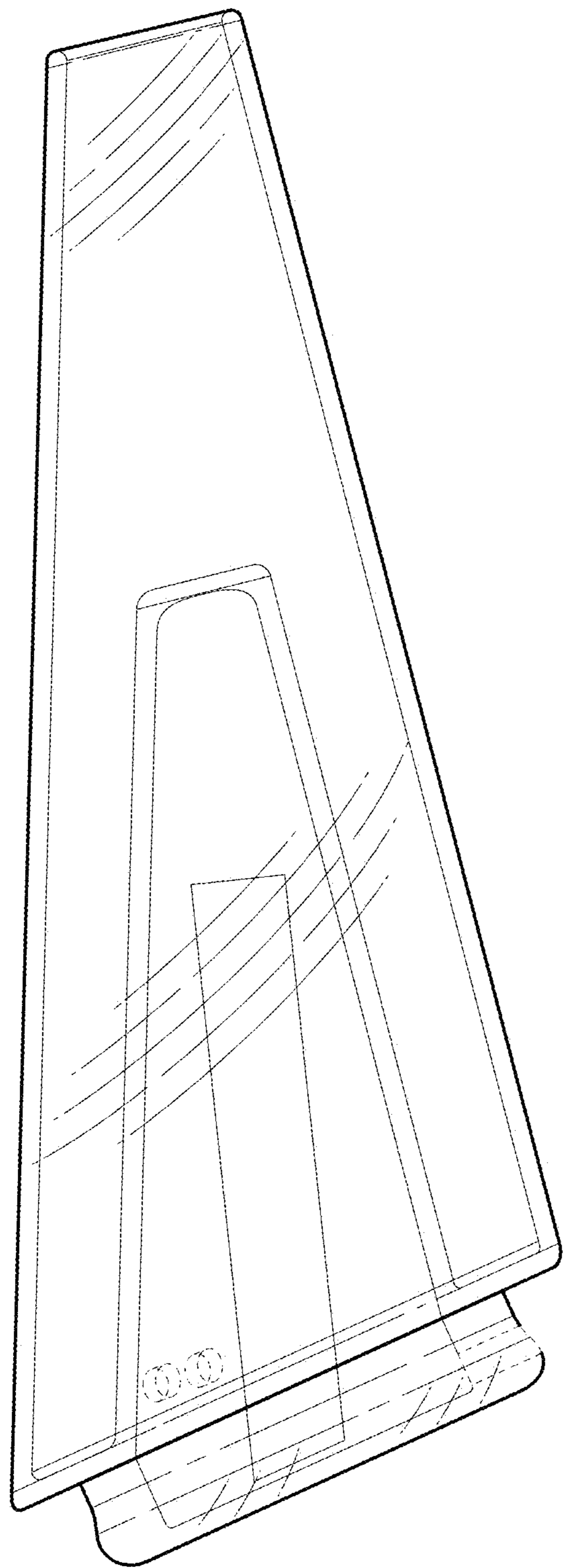


FIG. 4

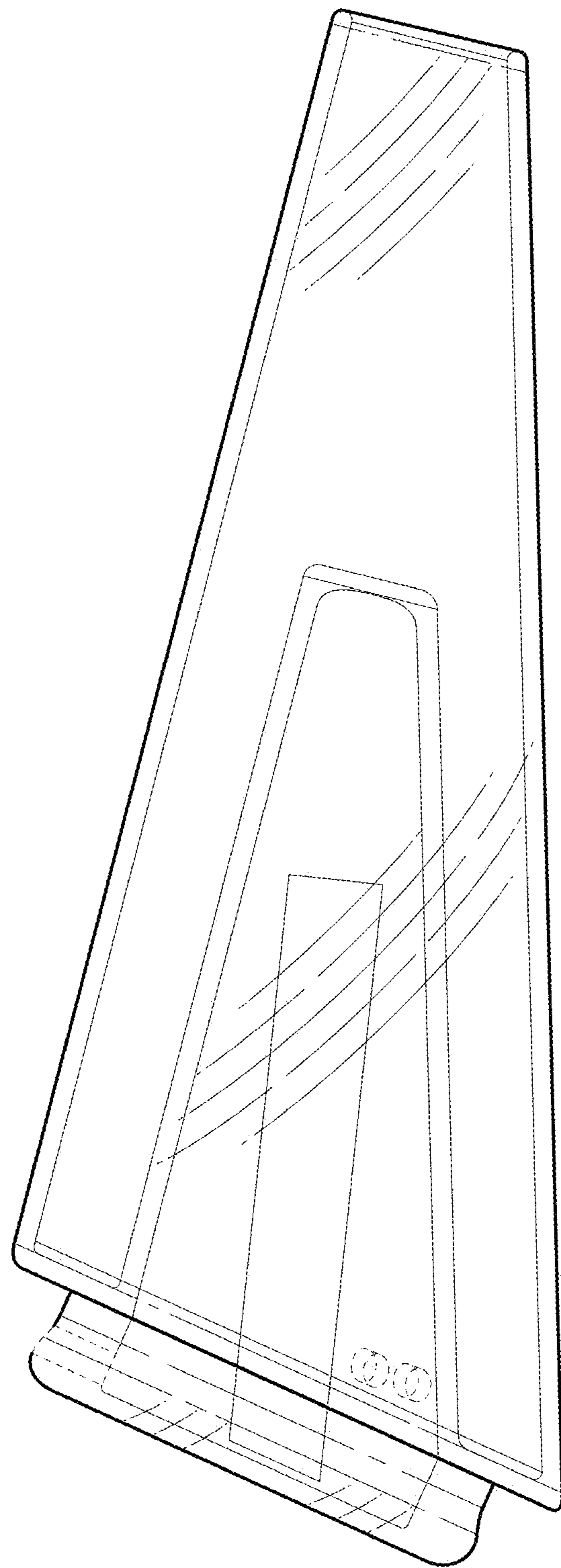


FIG. 5

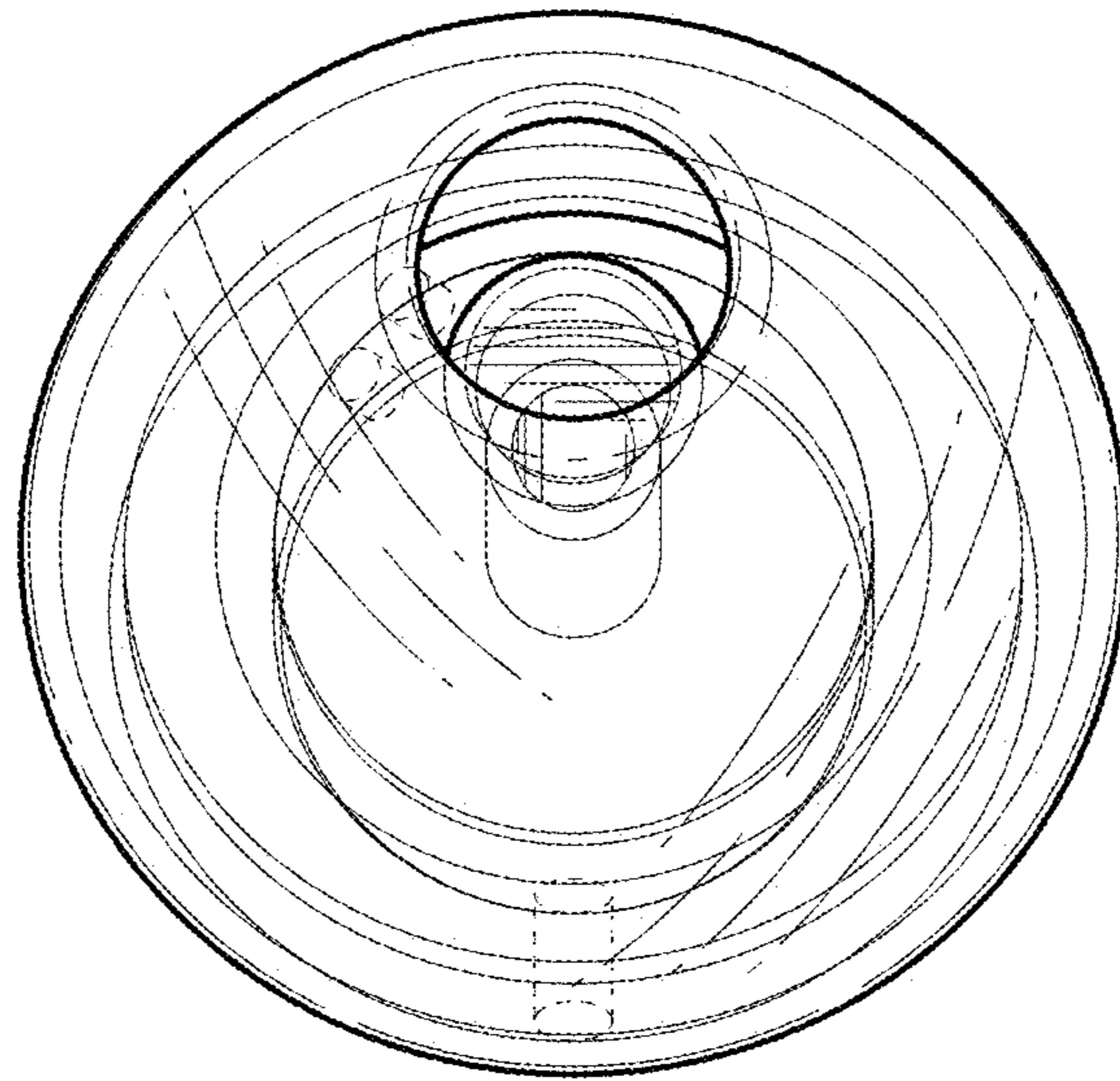


FIG. 6

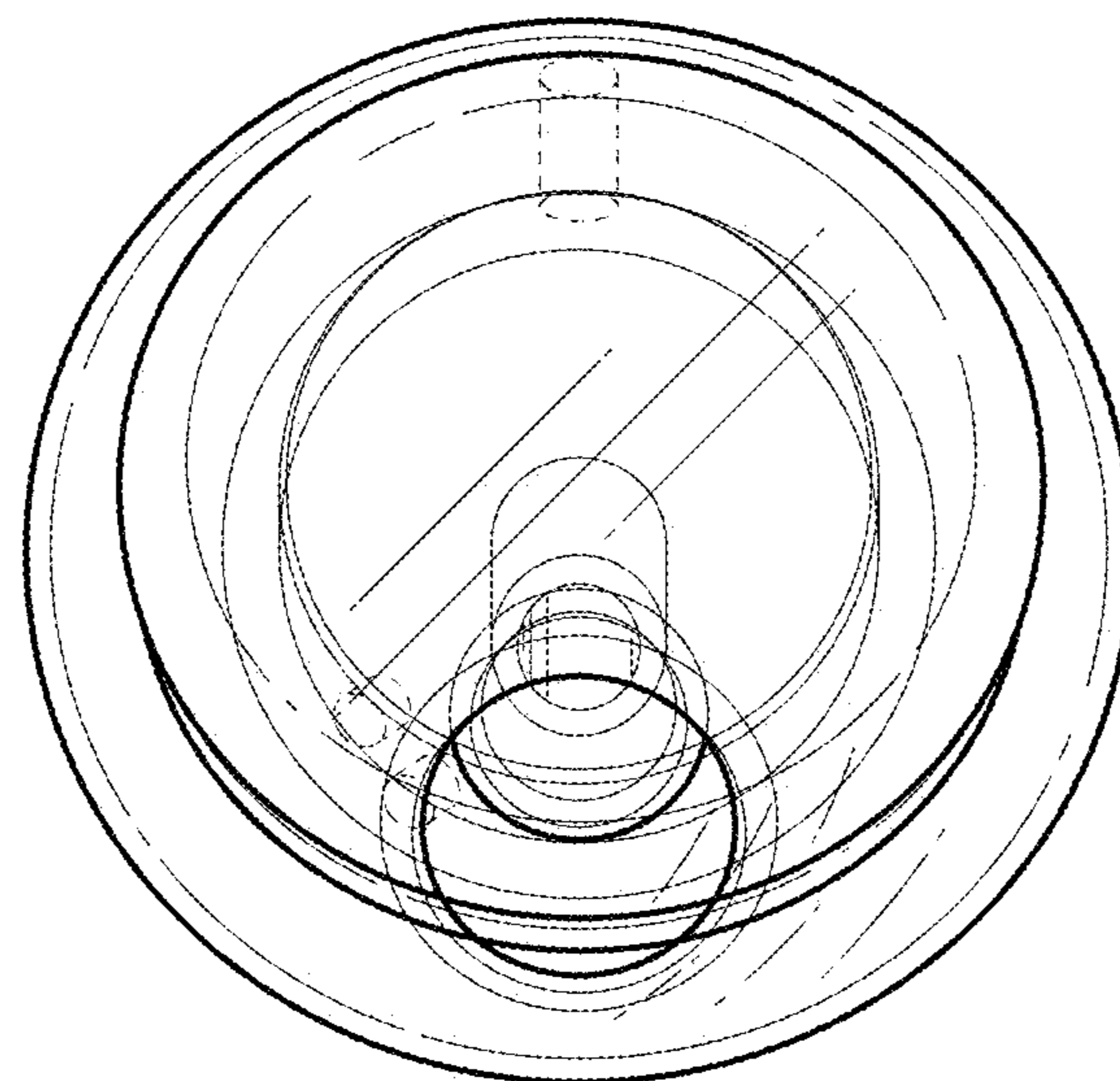


FIG. 7

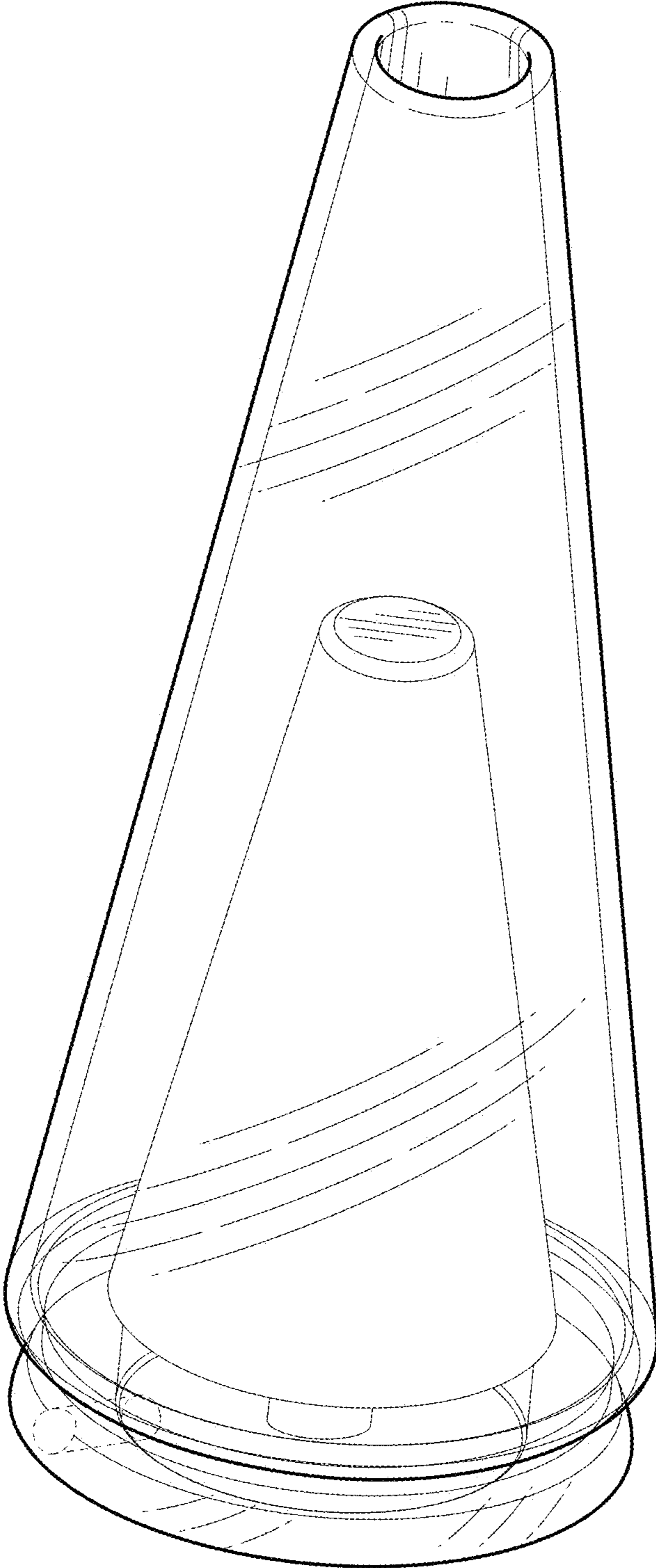


FIG. 8

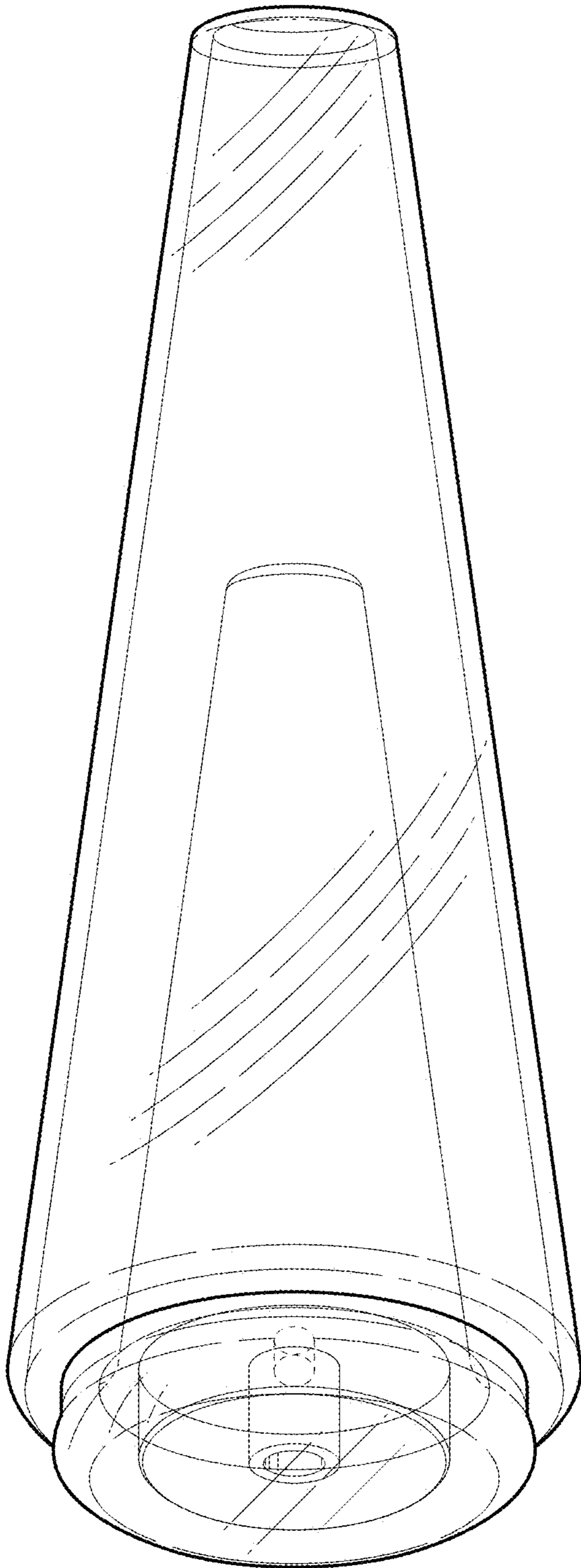


FIG. 9

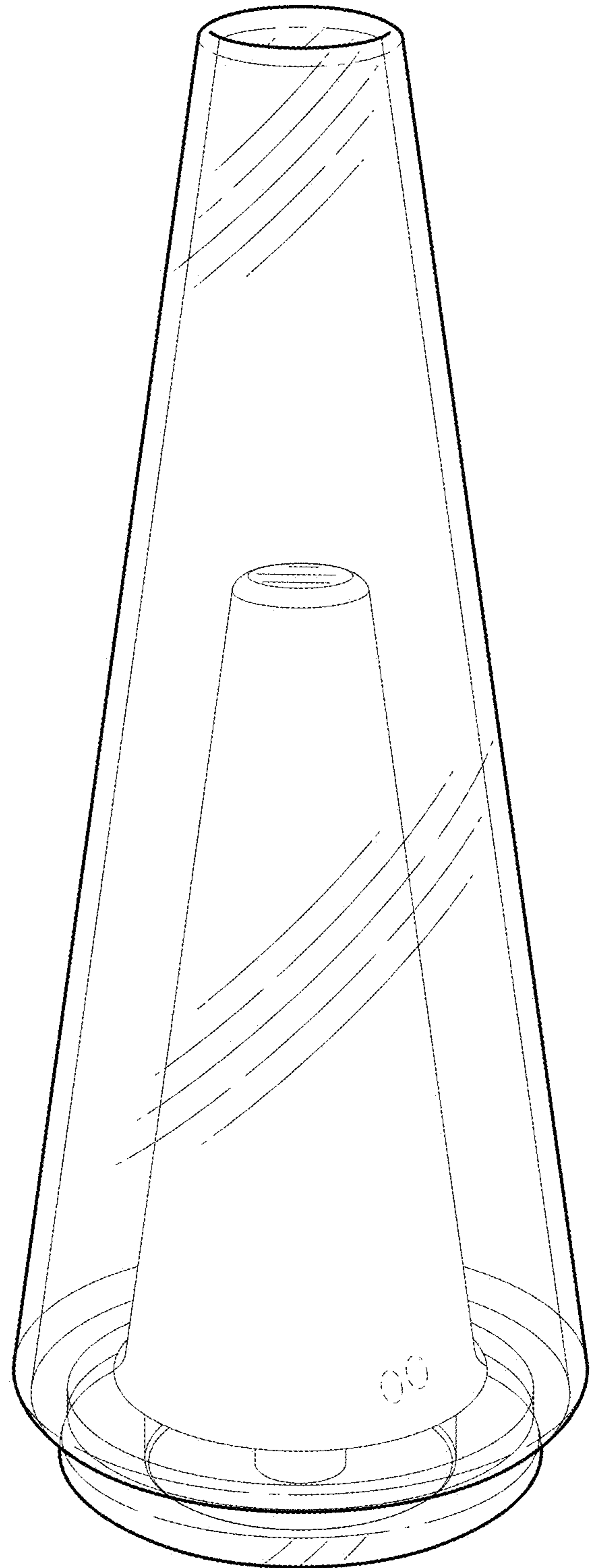


FIG. 10

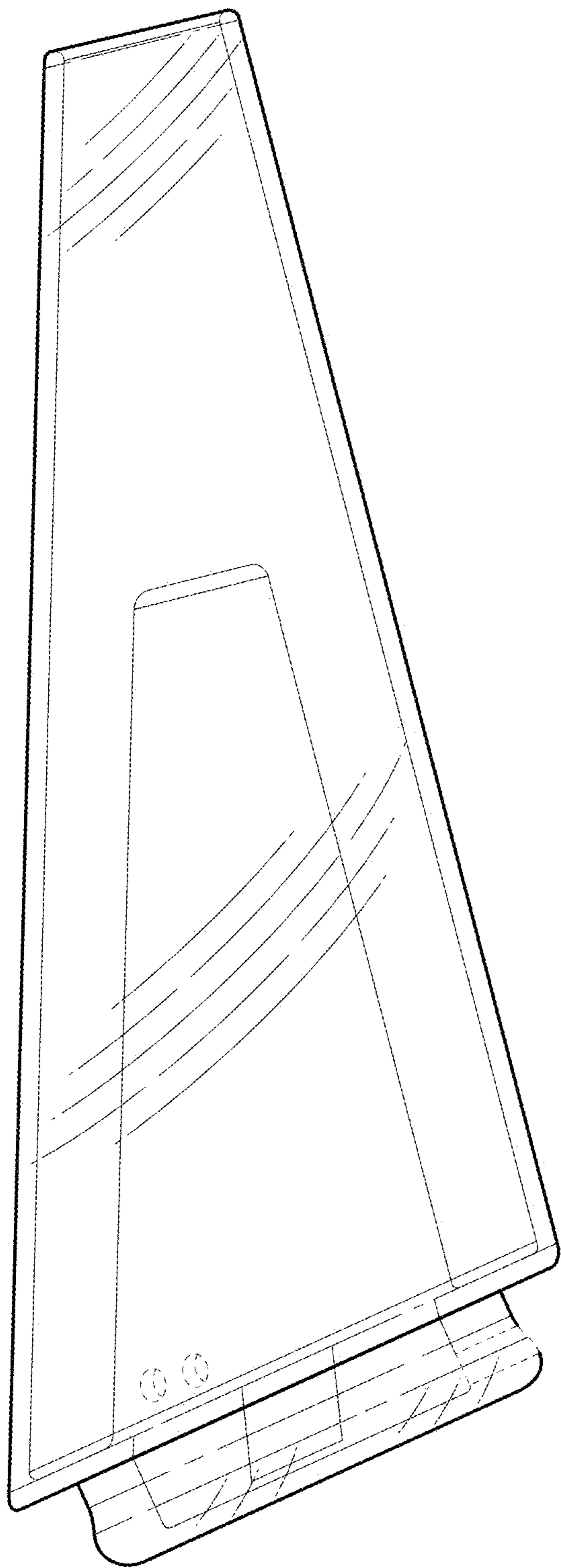


FIG. 11

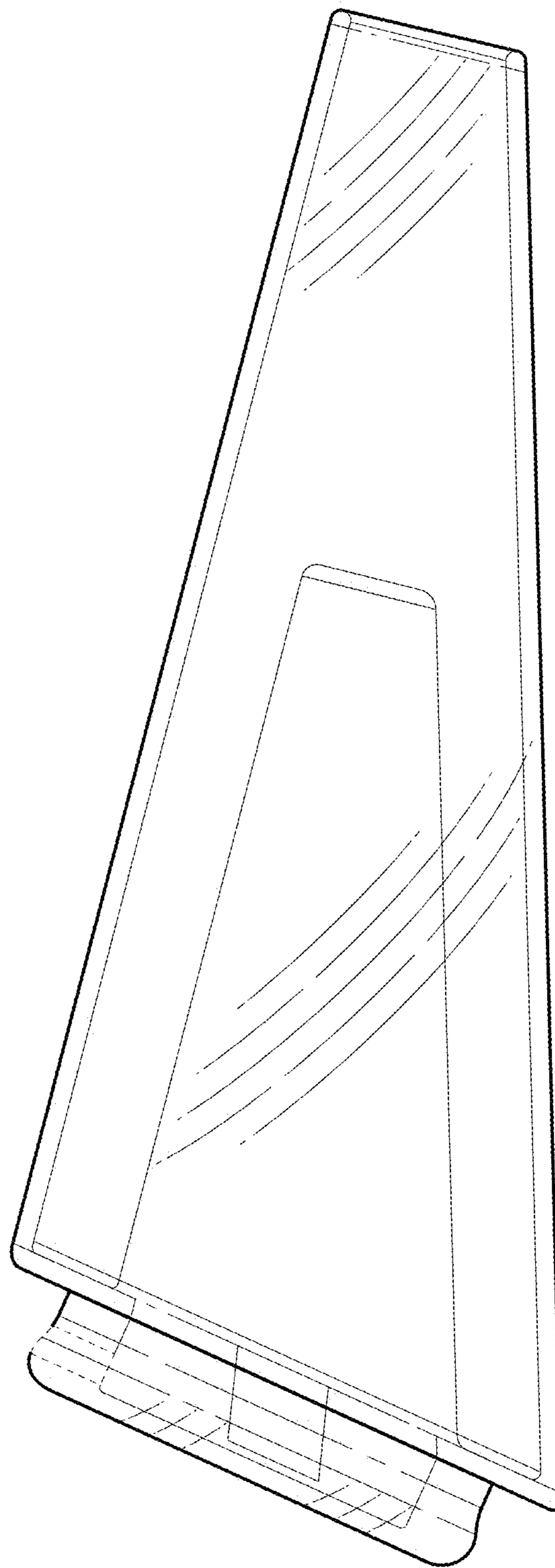


FIG. 12

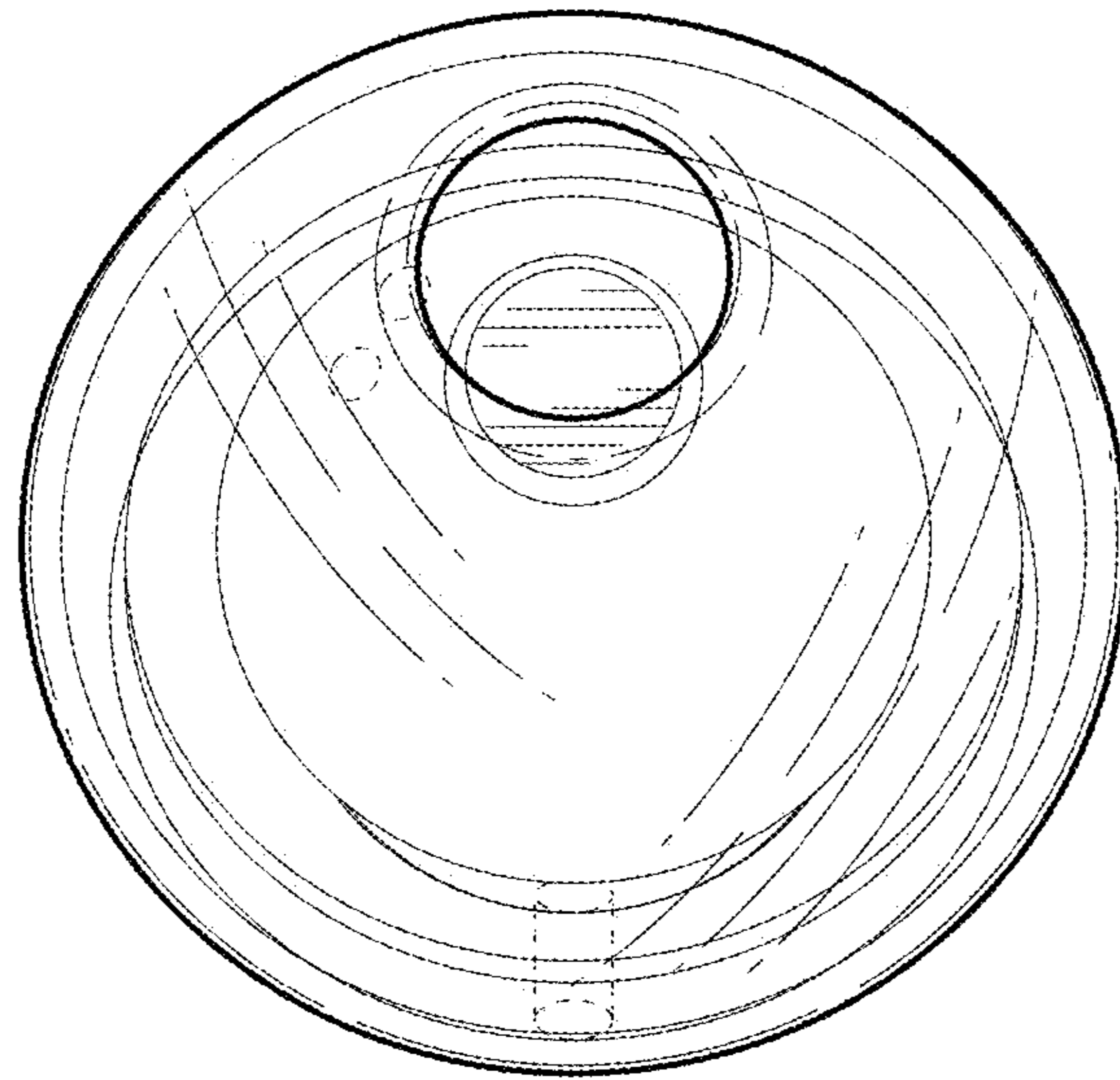


FIG. 13

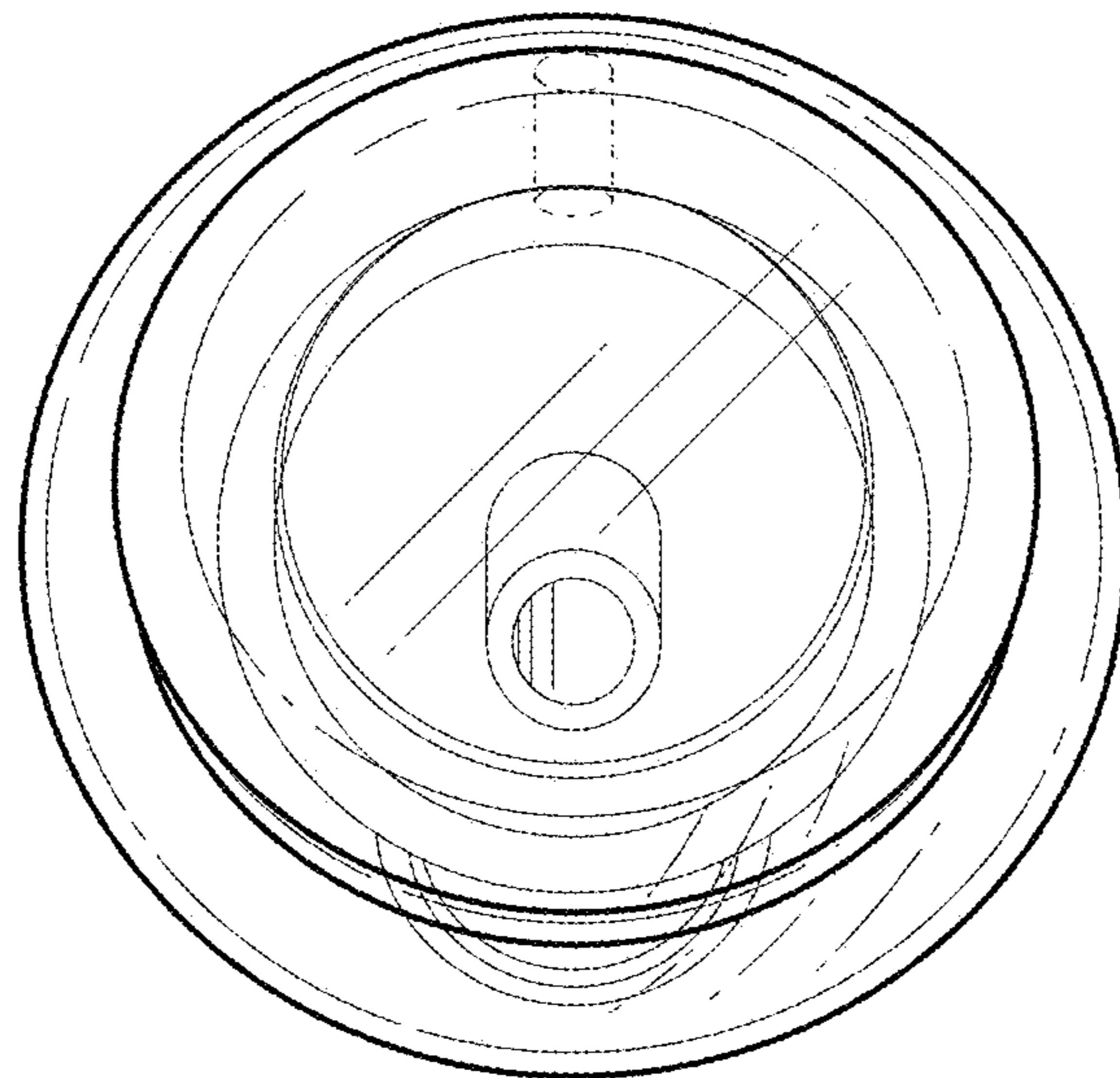


FIG. 14