



US00D882866S

(12) **United States Design Patent** (10) **Patent No.:** **US D882,866 S**
Friedrich (45) **Date of Patent:** **** Apr. 28, 2020**

(54) **SMOKING DEVICE**
(71) Applicant: **Clay Friedrich**, Richmond, VA (US)
(72) Inventor: **Clay Friedrich**, Richmond, VA (US)
(**) Term: **15 Years**
(21) Appl. No.: **29/672,246**
(22) Filed: **Dec. 4, 2018**
(51) **LOC (12) Cl.** **27-02**
(52) **U.S. Cl.**
USPC **D27/162**
(58) **Field of Classification Search**
USPC D27/162, 100, 101, 163-165, 172, 183,
D27/185-194; D24/110, 110.5; 131/273,
131/274, 191, 328, 329, 330; 128/202.21,
128/203.12; D1/116, 102, 104, 118, 119
CPC A24F 47/002; A24F 47/004; A24F 47/006;
A24F 47/008; A61M 15/00; A61M 15/06
See application file for complete search history.

(56) **References Cited**

U.S. PATENT DOCUMENTS

D92,261 S * 5/1934 Leaf D1/118
4,720,037 A * 1/1988 Alpert B65D 85/78
229/932
D395,936 S * 7/1998 Zada D1/118

D426,789 S * 6/2000 Joergensen D11/149
D490,588 S * 6/2004 Baker D1/102
D527,520 S * 9/2006 Green D3/271.1
D582,094 S * 12/2008 Lee D27/163
D634,065 S * 3/2011 Borushek D27/170
D724,783 S * 3/2015 Liu D27/162
D731,113 S * 6/2015 Wu D27/101
D745,994 S * 12/2015 Hanna D27/162
D757,356 S * 5/2016 Liu D27/162
D792,646 S * 7/2017 Testa D27/167

* cited by examiner

Primary Examiner — Susan Bennett Hattan

Assistant Examiner — Rebecca Tsehaye

(57) **CLAIM**

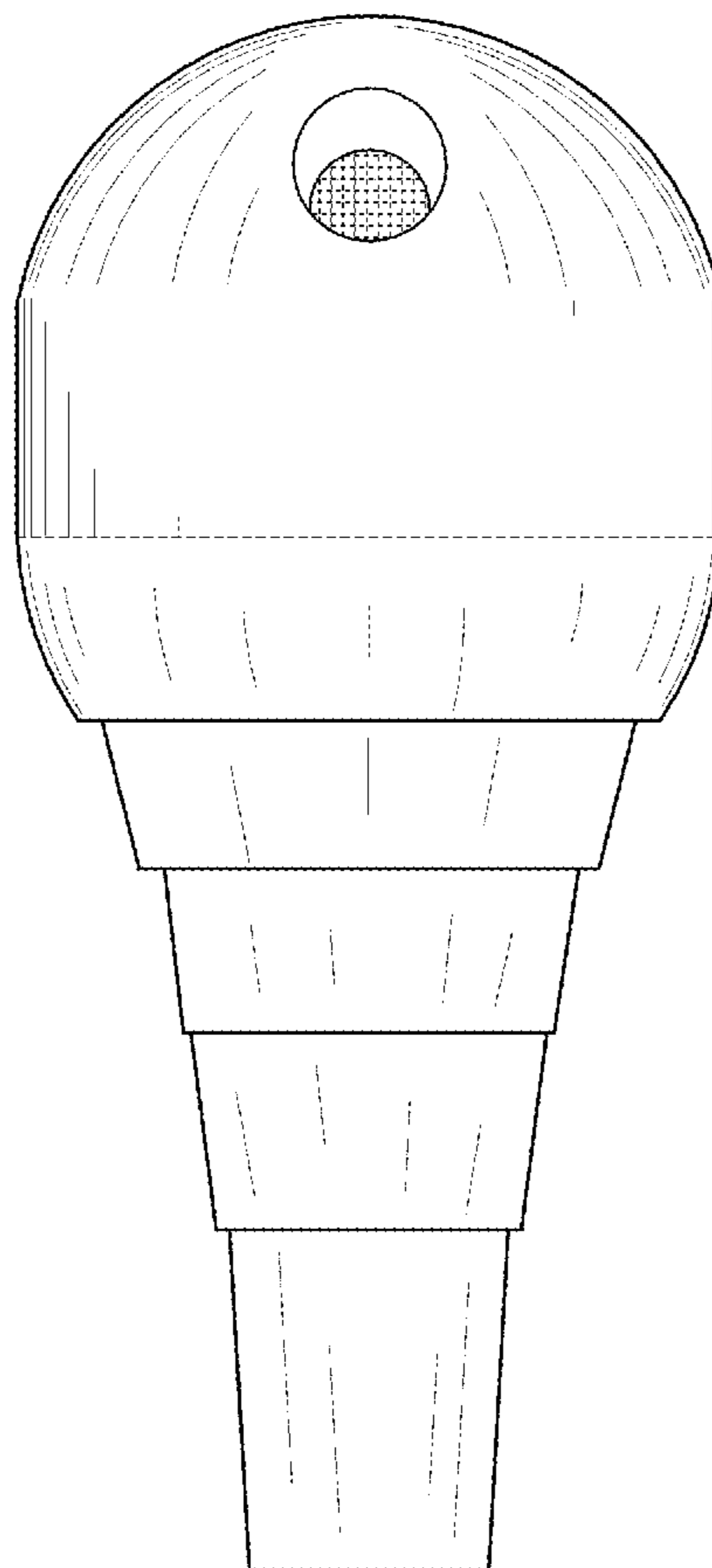
The ornamental design for a smoking device, as shown and described.

DESCRIPTION

FIG. 1 is a front elevation view of a smoking device showing my new design;
FIG. 2 is a rear elevation view thereof;
FIG. 3 is a left side elevation view thereof, with the opposite side view being a mirror image thereof;
FIG. 4 is a top view thereof; and,
FIG. 5 is a bottom view thereof.

The broken lines in the drawings depict portions of the smoking device that form no part of the claimed design.

1 Claim, 4 Drawing Sheets



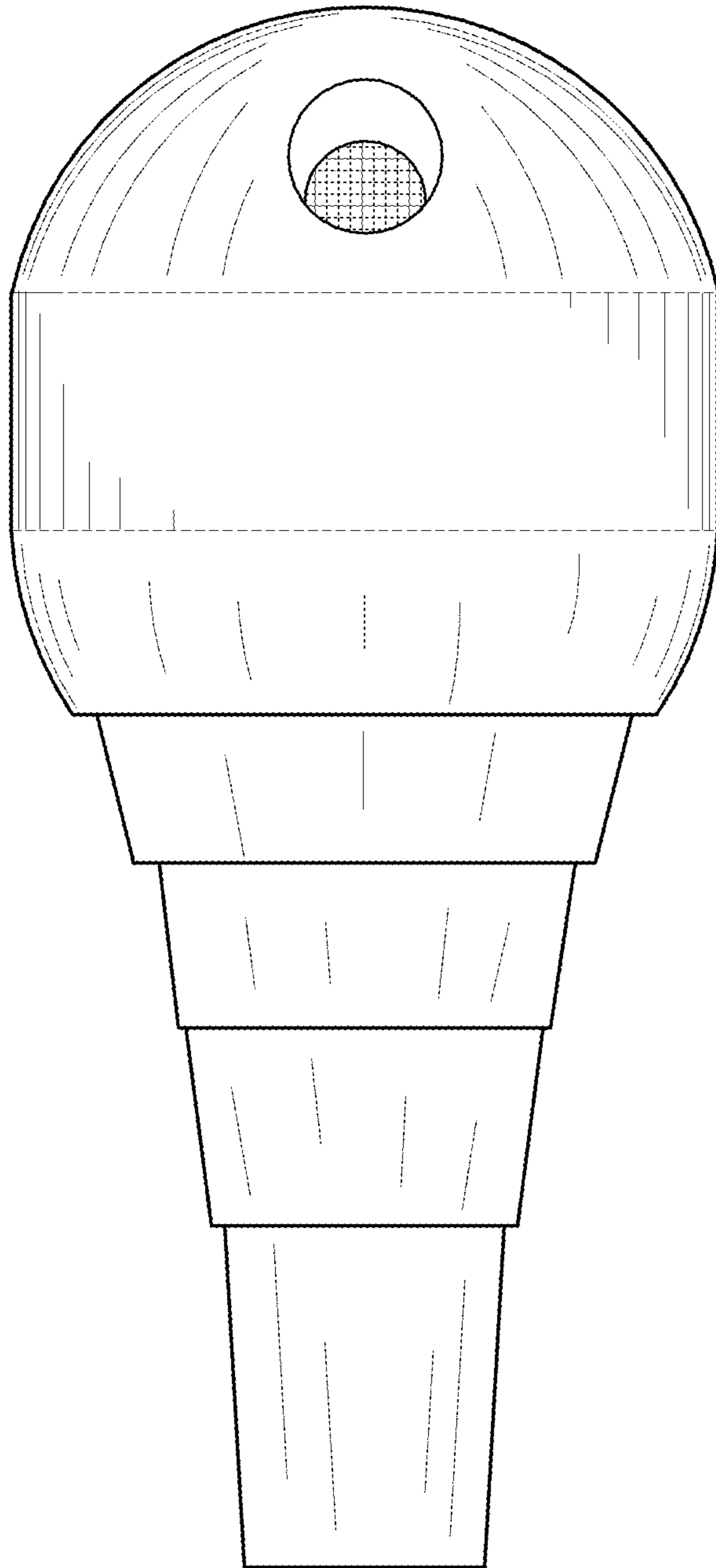


Fig. 1

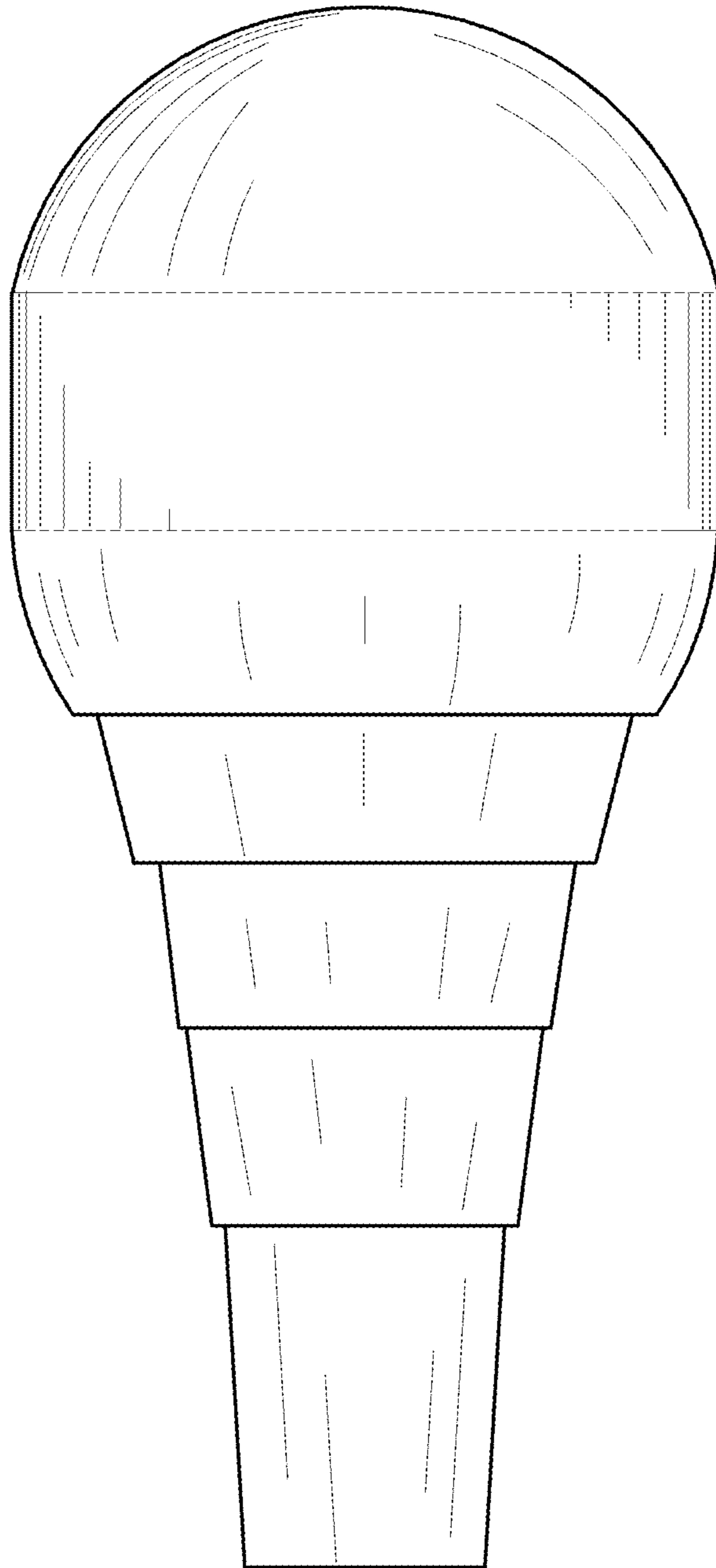


Fig. 2

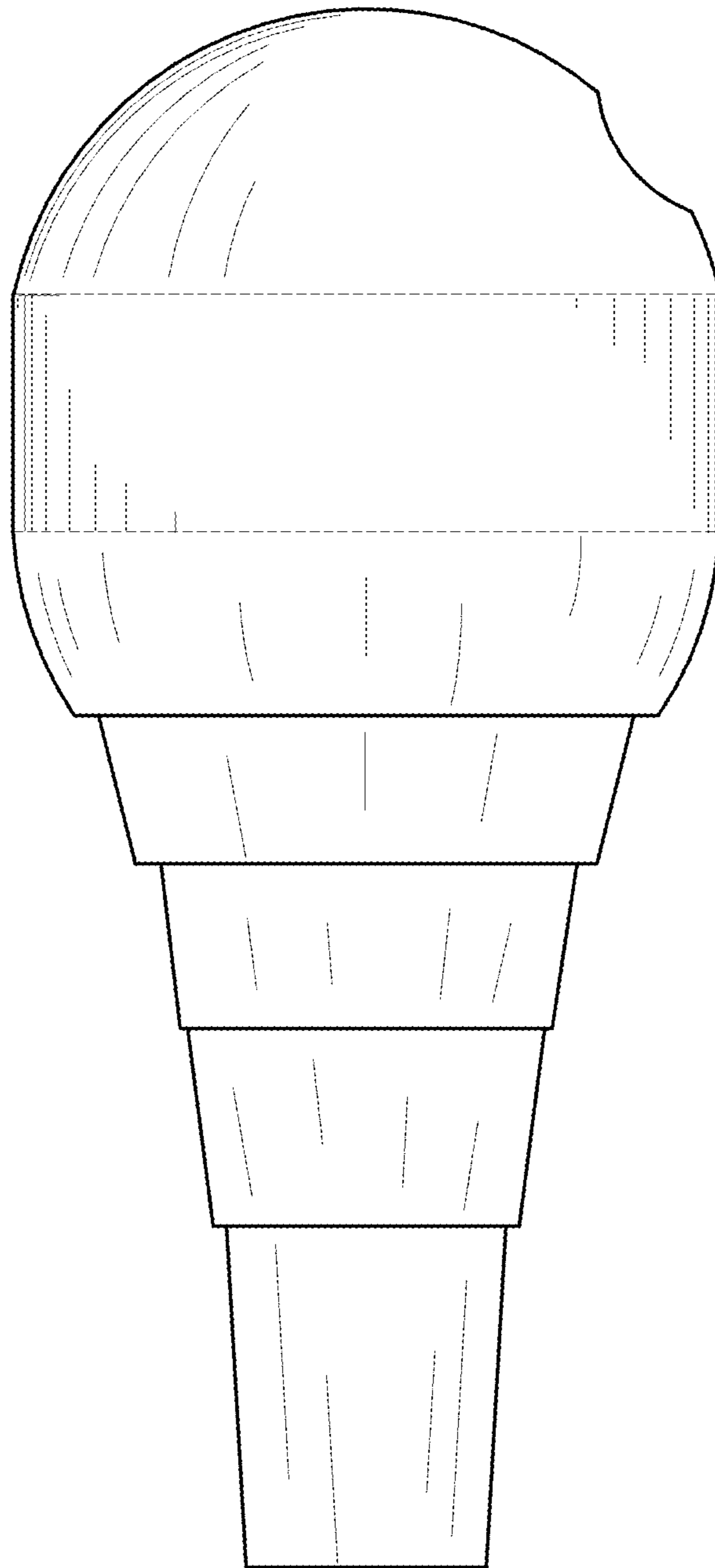


Fig. 3

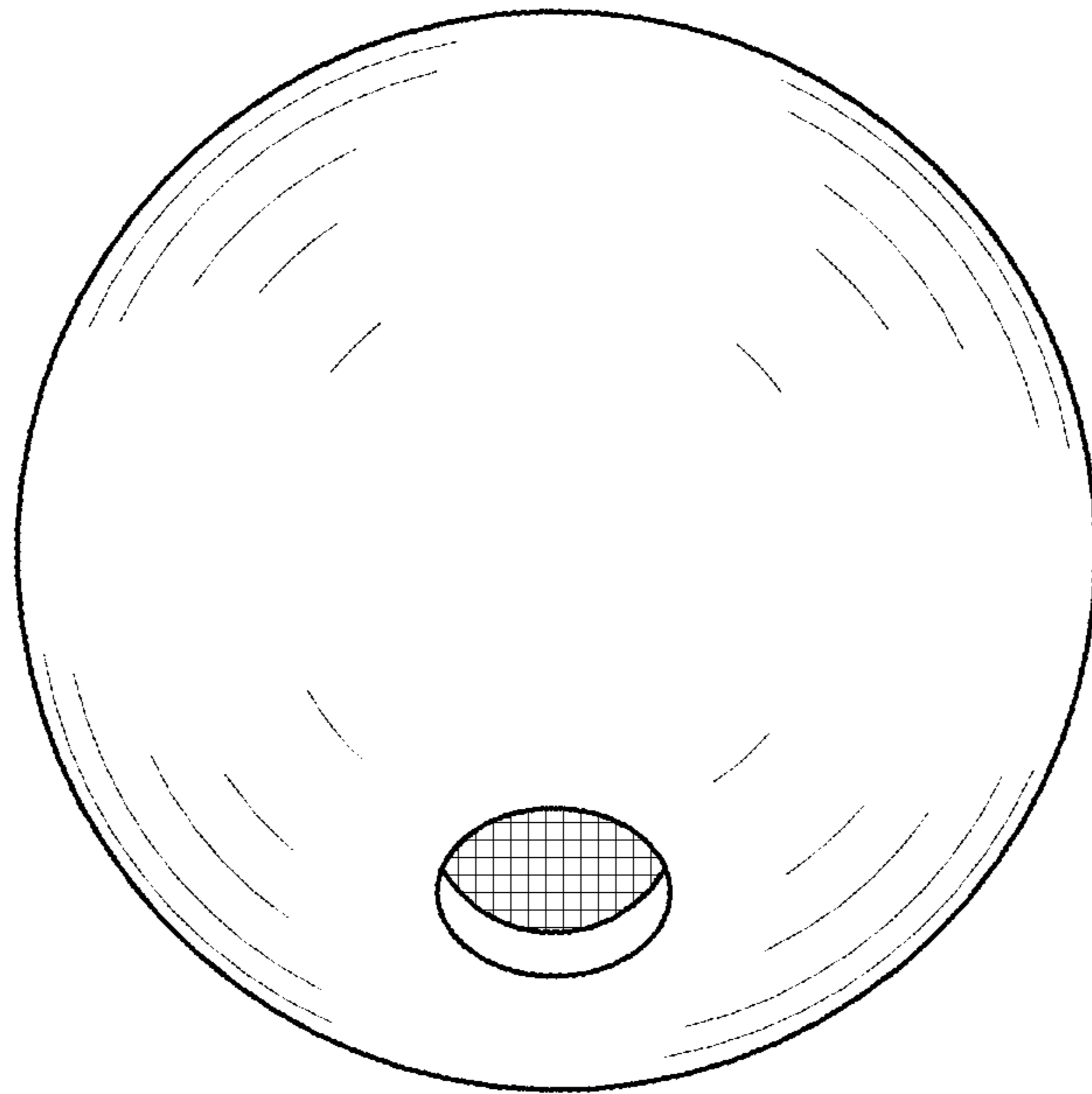


Fig. 4

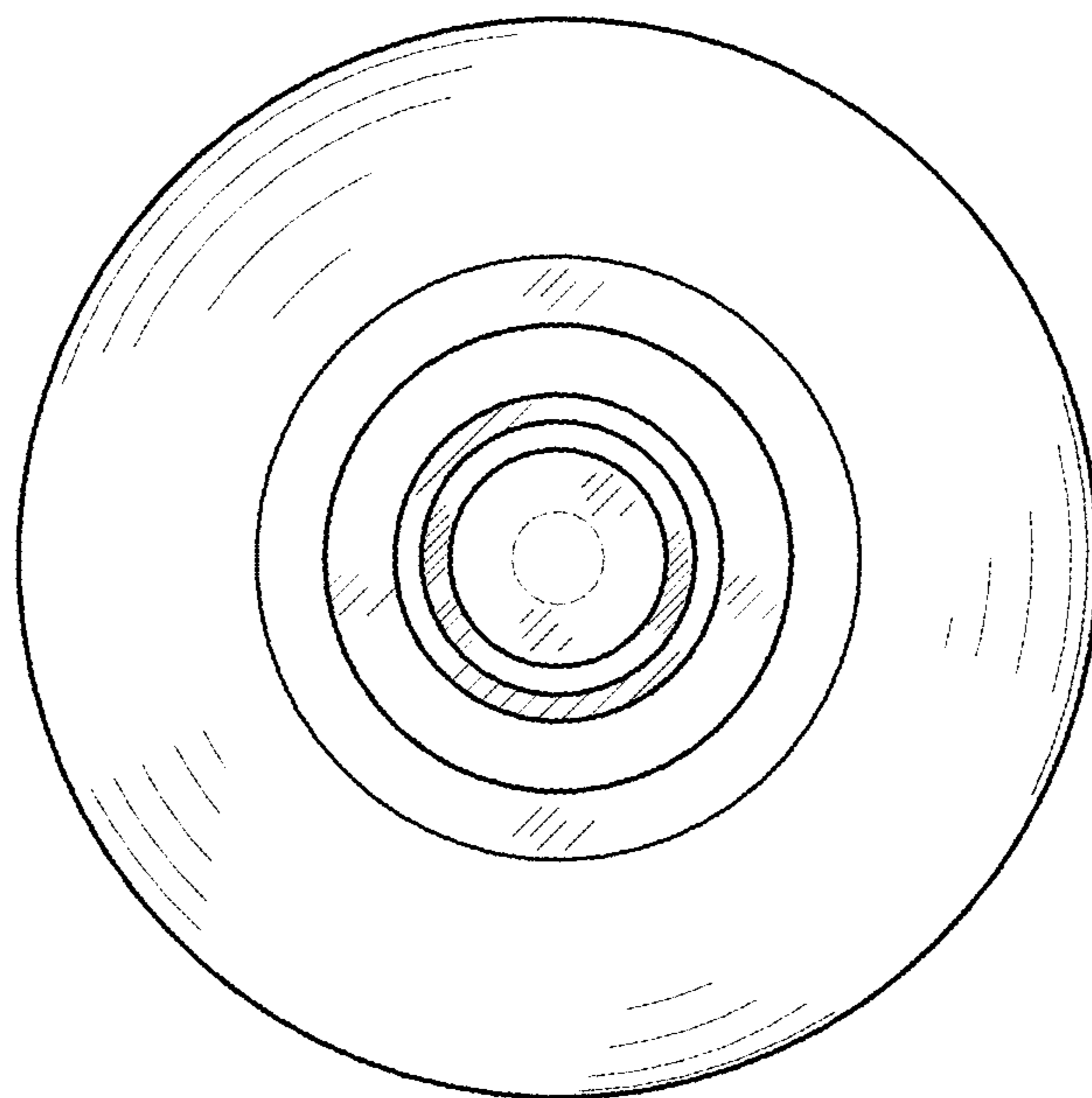


Fig. 5