



US00D882865S

(12) **United States Design Patent**
Fornarelli

(10) **Patent No.:** **US D882,865 S**
(45) **Date of Patent:** **** Apr. 28, 2020**

(54) **VAPORIZATION DEVICE CHARGER**

(71) Applicant: **DB INNOVATION INC.**, Chicago, IL (US)

(72) Inventor: **Thomas Fornarelli**, Chicago, IL (US)

(73) Assignee: **DB INNOVATION INC.**, Chicago, IL (US)

(**) Term: **15 Years**

(21) Appl. No.: **29/666,221**

(22) Filed: **Oct. 10, 2018**

(51) **LOC (12) Cl.** **27-02**

(52) **U.S. Cl.**
USPC **D27/162**

(58) **Field of Classification Search**
USPC D27/162, 100, 101, 161, 163–167,
D27/172–176, 183, 185–194; D24/110,
D24/110.5; 131/273, 274, 191, 330, 329,
131/328; 128/202.21, 203.12
CPC A24F 9/00; A24F 47/002; A24F 47/004;
A24F 47/006; A24F 47/008; A61M 15/06
See application file for complete search history.

(56) **References Cited**

U.S. PATENT DOCUMENTS

D735,935 S	*	8/2015	Burrell	D27/183
D750,320 S	*	2/2016	Verleur	A24F 47/008
					D27/101
D776,338 S	*	1/2017	Lomeli	D27/163
D813,447 S	*	3/2018	Watson	D27/162
D816,267 S	*	4/2018	Fornarelli	D27/101

D825,098 S	*	8/2018	Fornarelli	D27/101
D825,102 S	*	8/2018	Bowen	D27/167
D832,500 S	*	10/2018	Qiu	D27/162
D833,064 S	*	11/2018	Verleur	D27/172
D836,831 S	*	12/2018	Cividi	D27/162
D836,834 S	*	12/2018	Cividi	D27/194
D844,226 S	*	3/2019	Fornarelli	D27/162
D844,229 S	*	3/2019	Sherwood	D27/162
D854,741 S	*	7/2019	Smith	D27/162
D858,868 S	*	9/2019	Bowen	D27/162
D860,519 S	*	9/2019	Cividi	D27/162
D860,520 S	*	9/2019	Cividi	D27/162

* cited by examiner

Primary Examiner — Marissa J Cash

Assistant Examiner — Rebecca Tsehaye

(74) *Attorney, Agent, or Firm* — Flener IP & Business Law; Zareefa B. Flener; Ayhan E. Mertogul

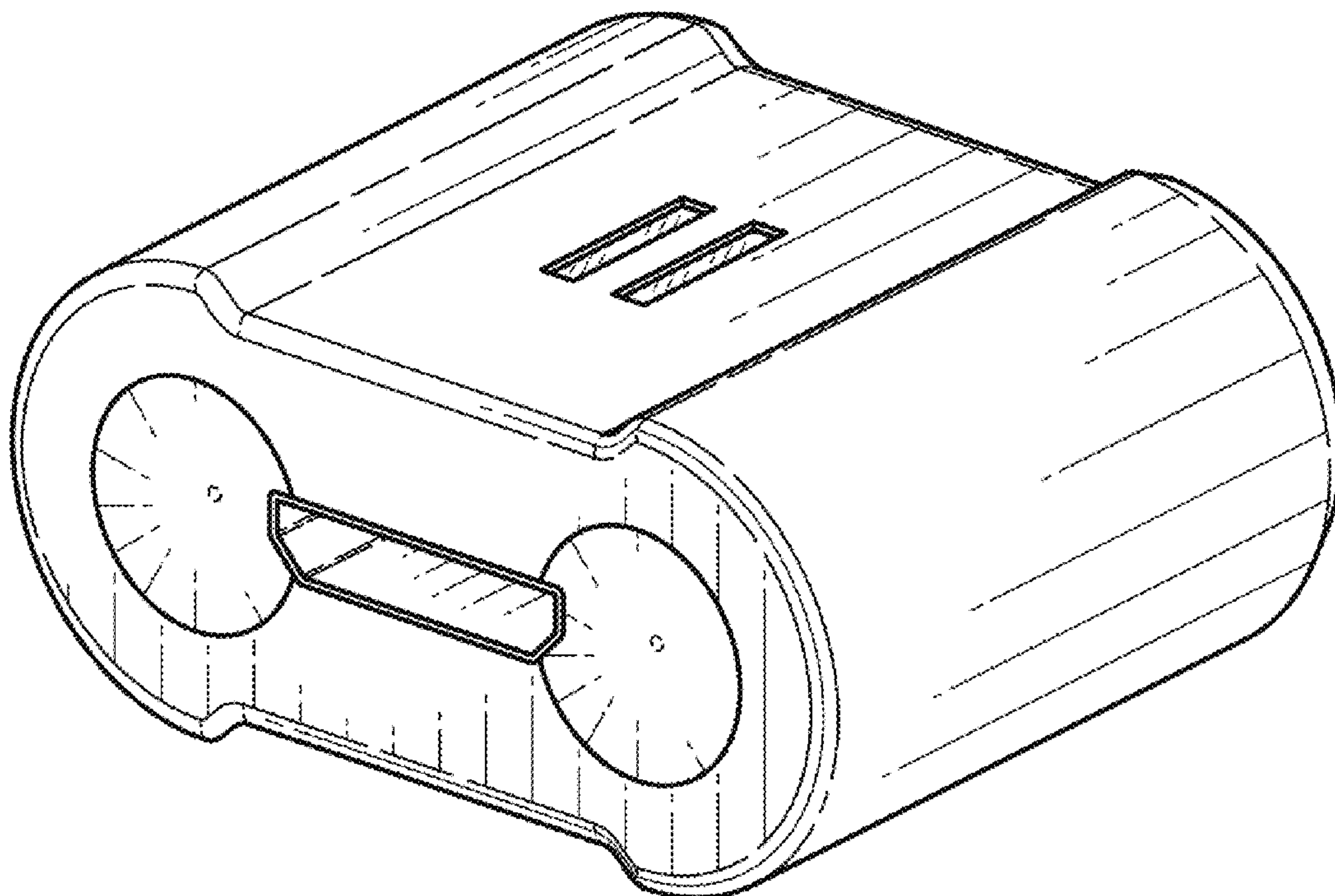
(57) **CLAIM**

The ornamental design for a vaporization device charger, as shown and described.

DESCRIPTION

FIG. 1 is a perspective view of a vaporization device charger showing my new design;
FIG. 2 is front elevation view of the design of FIG. 1;
FIG. 3 is a back elevation view of the design of FIG. 1;
FIG. 4 is a left side view of the design of FIG. 1;
FIG. 5 is a right-side view of the design of FIG. 1;
FIG. 6 is a top plan view of the design of FIG. 1; and,
FIG. 7 is a bottom plan view of the design of FIG. 1.
The broken lines in the drawings depict portions of the vaporization device charger that form no part of the claim.

1 Claim, 3 Drawing Sheets



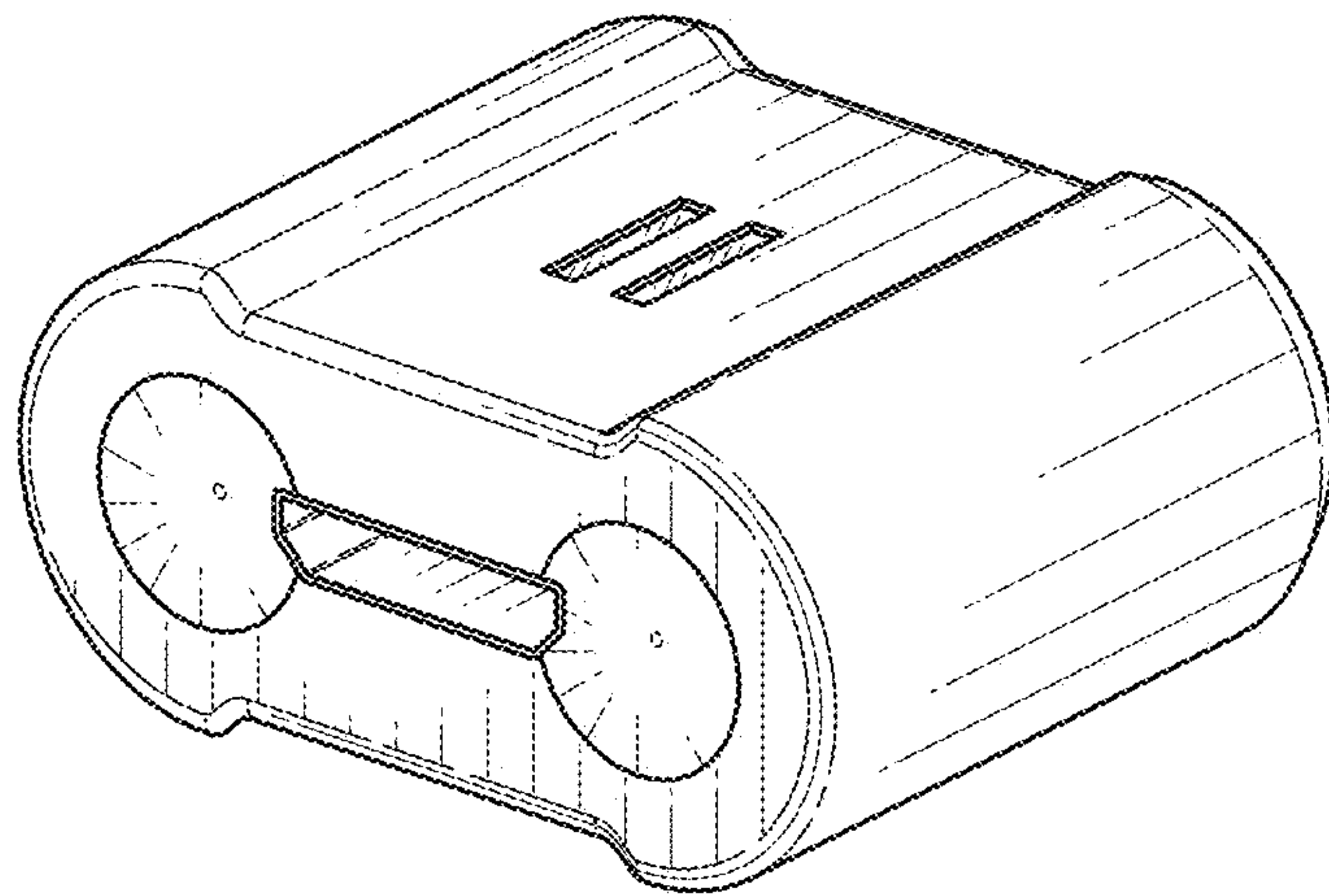


FIG. 1

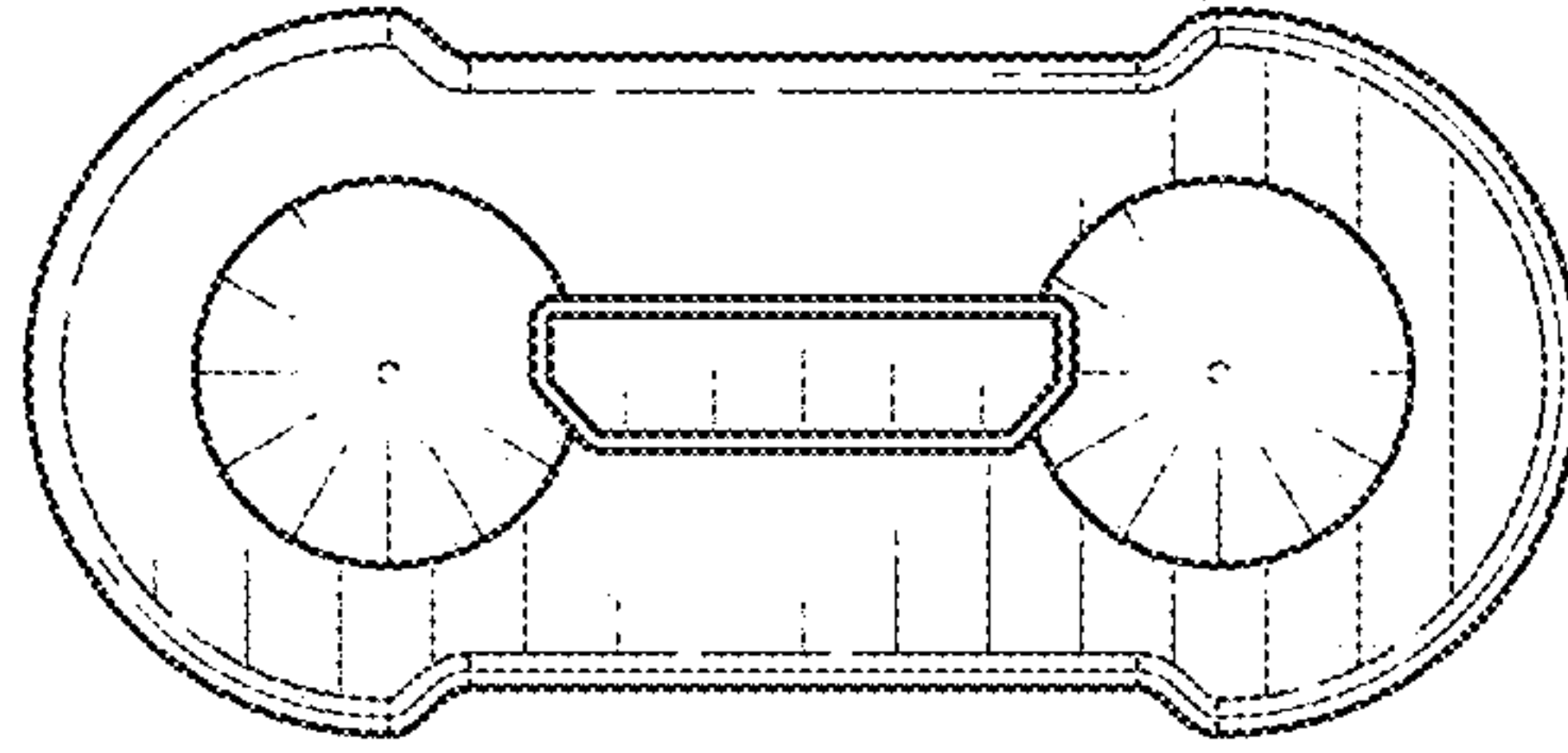


FIG. 2

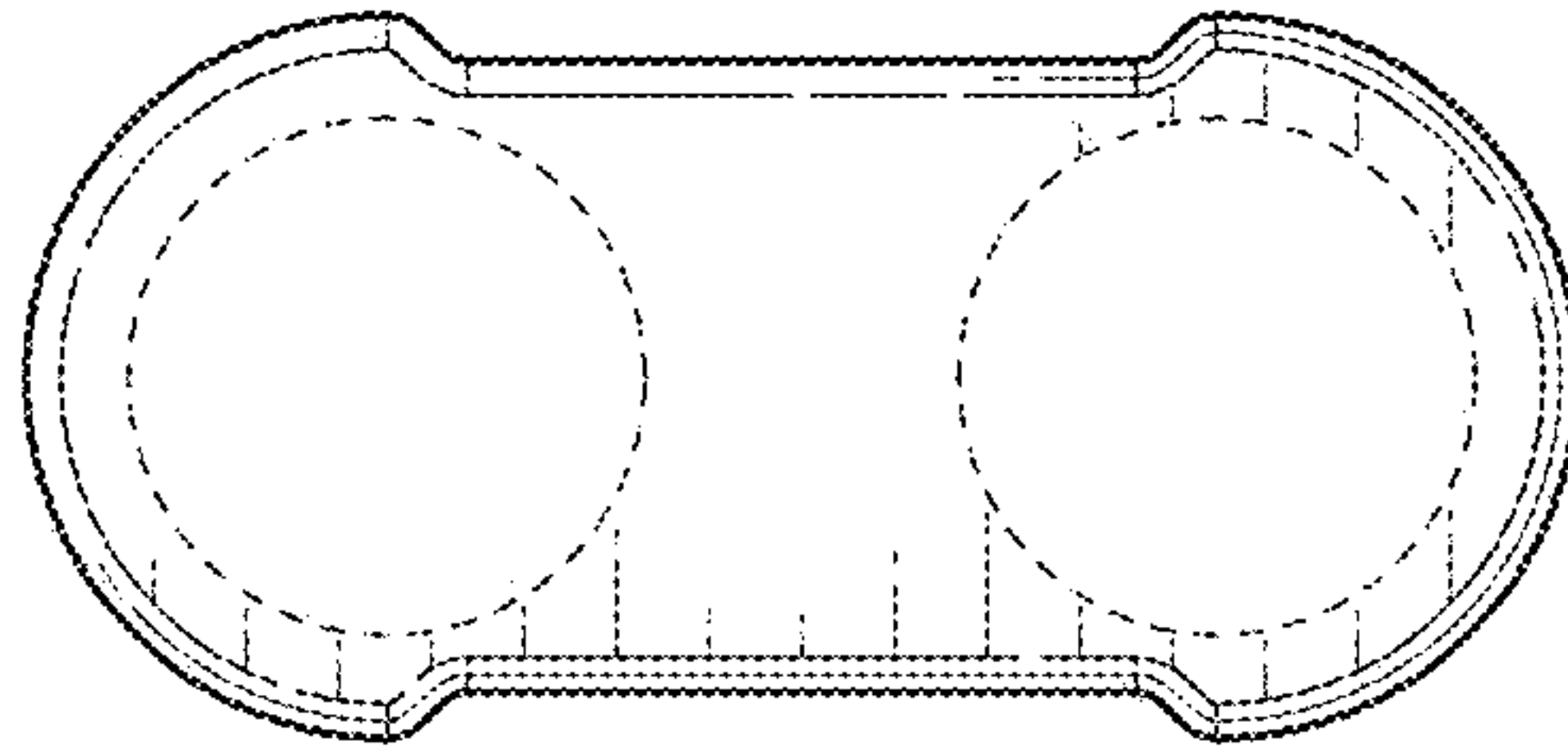


FIG. 3

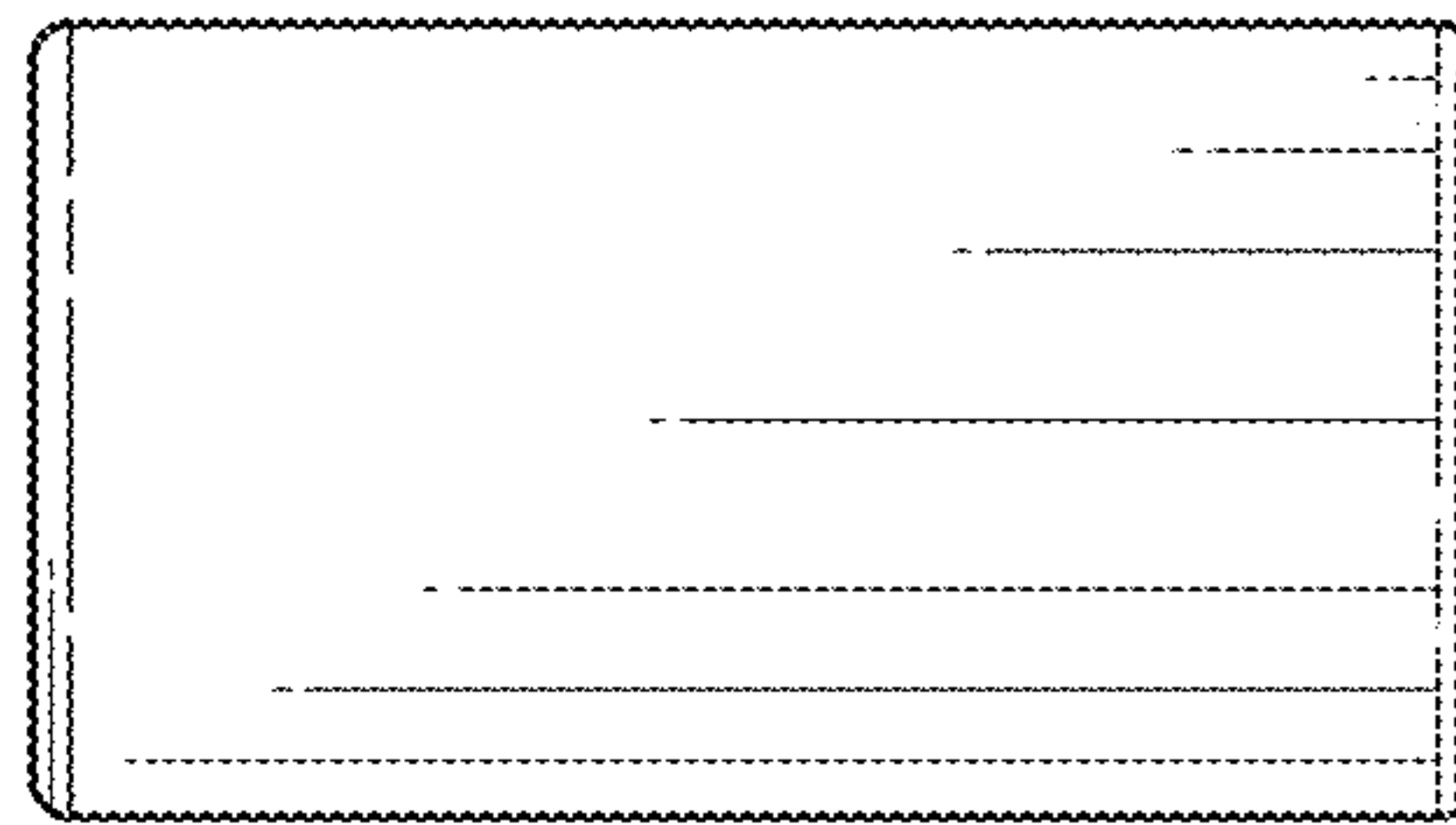


FIG. 4

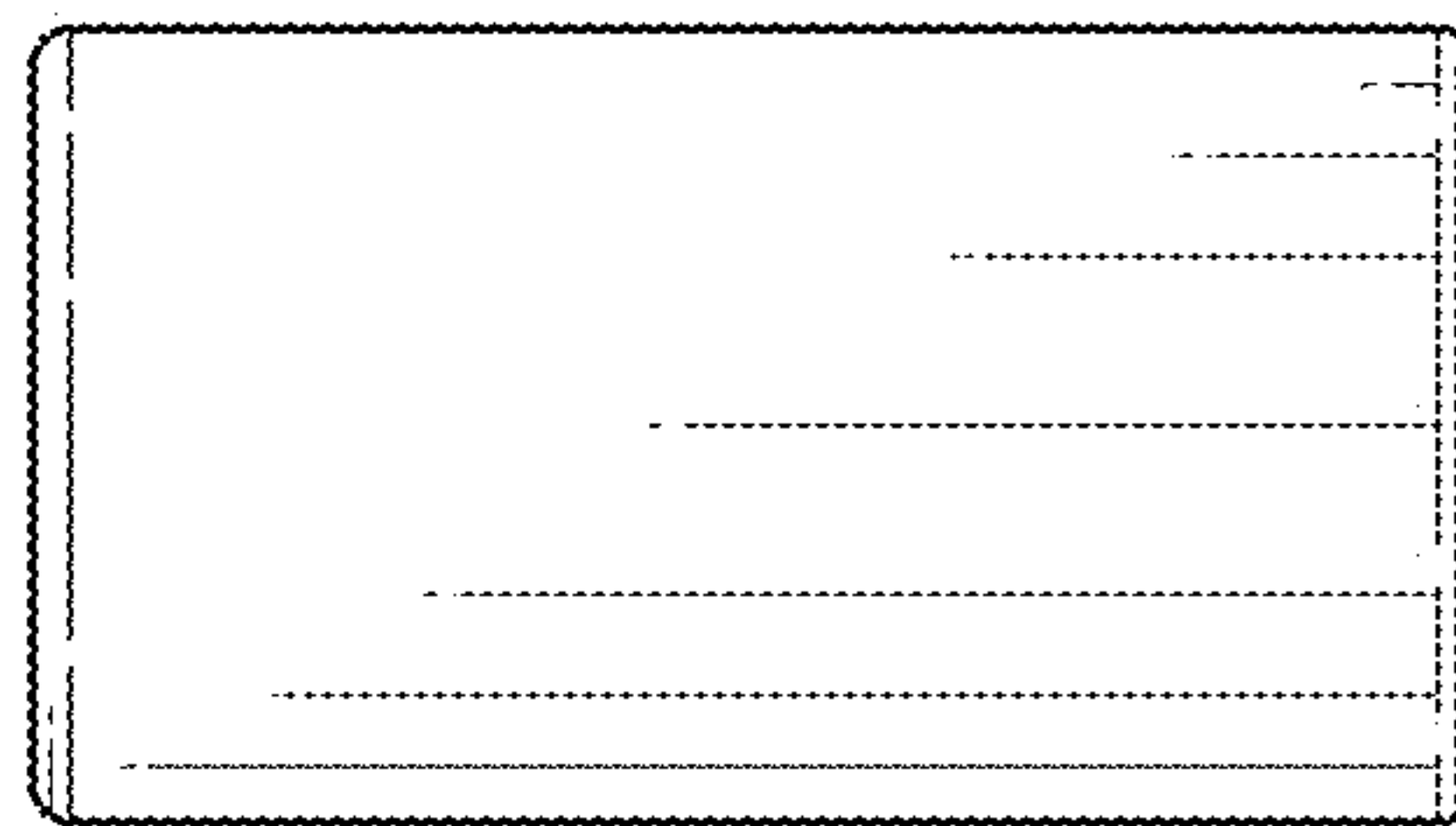


FIG. 5

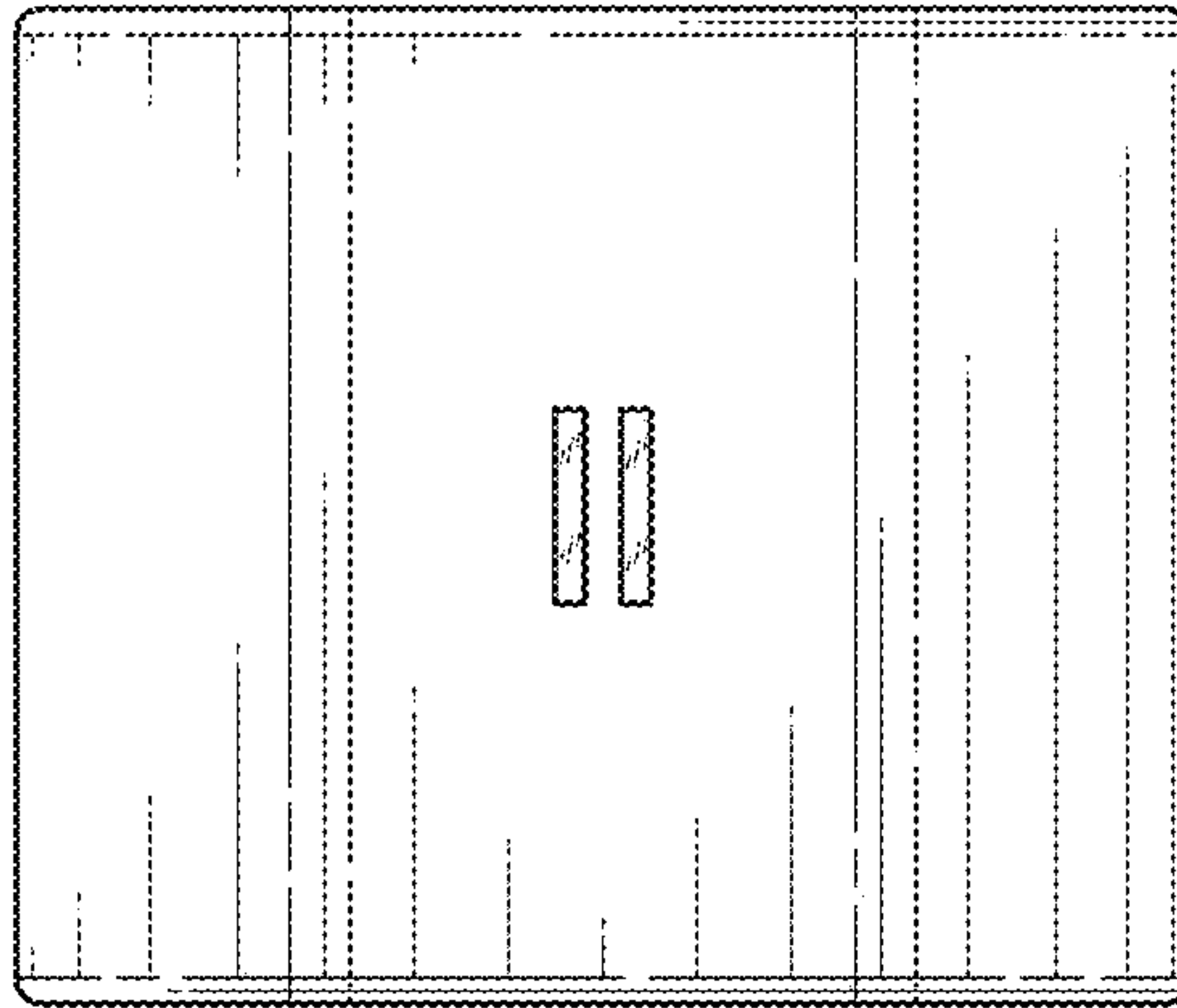


FIG. 6

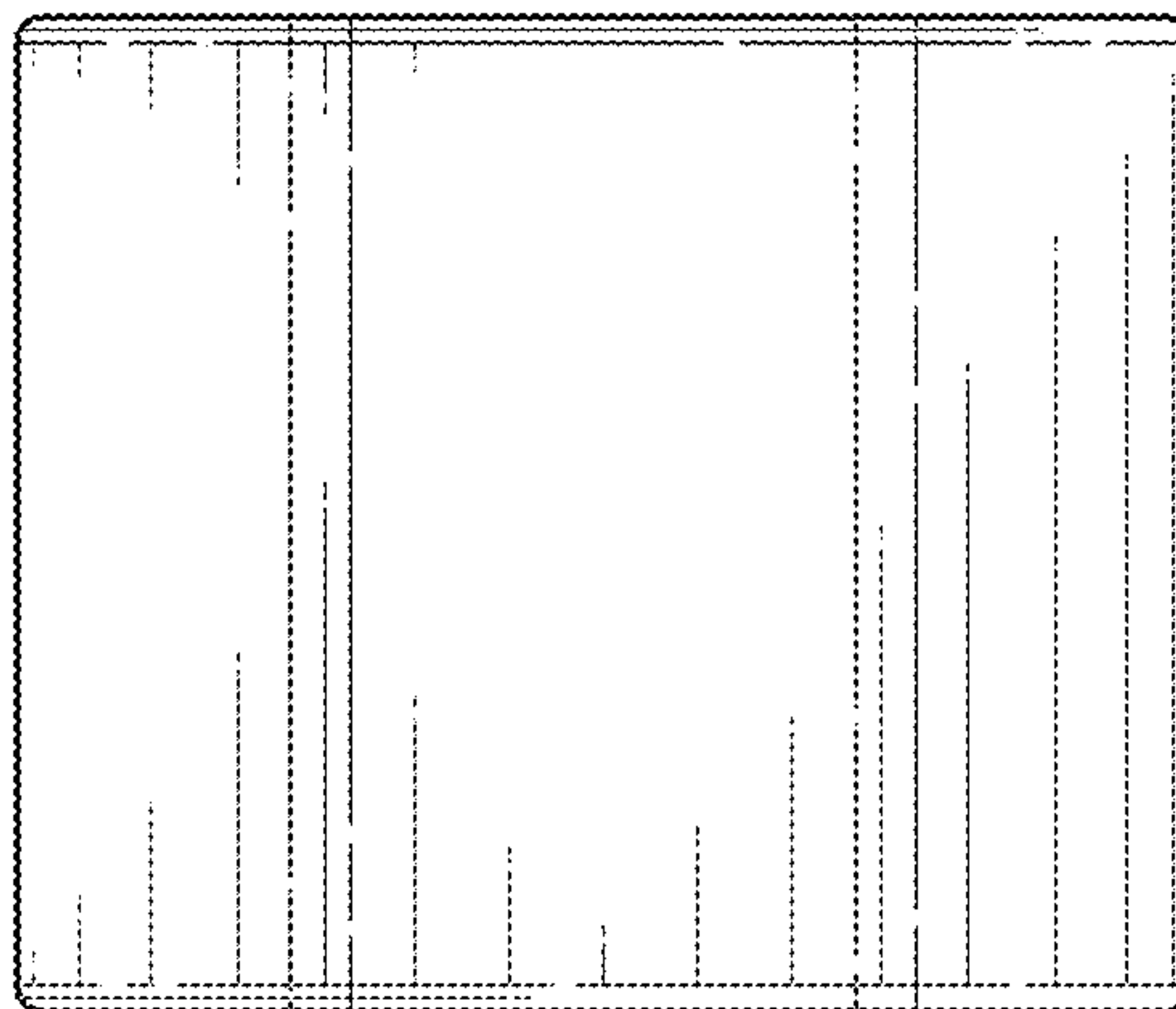


FIG. 7