



US00D882864S

(12) **United States Design Patent** (10) **Patent No.:** **US D882,864 S**
Wu (45) **Date of Patent:** **** Apr. 28, 2020**

(54) **VAPORIZER**

(71) Applicant: **Qinfeng Wu**, Zhejiang (CN)

(72) Inventor: **Qinfeng Wu**, Zhejiang (CN)

(**) Term: **15 Years**

(21) Appl. No.: **29/658,373**

(22) Filed: **Jul. 31, 2018**

(51) **LOC (12) Cl.** **27-02**

(52) **U.S. Cl.**
USPC **D27/162**

(58) **Field of Classification Search**
USPC D27/162, 100, 101, 163–165, 172,
D27/174–176, 183, 186–192, 194, 185;
D24/110, 110.5; 128/202.21, 203.12;
131/191, 329, 330, 273, 270, 360–365
CPC A24F 47/002; A24F 47/004; A24F 47/006;
A24F 47/008; A61M 15/00; A61M 15/06
See application file for complete search history.

(56) **References Cited**

U.S. PATENT DOCUMENTS

D662,578 S *	6/2012	Blanking	D23/366
D689,999 S *	9/2013	Viala	D23/366
D733,288 S *	6/2015	Althorpe	D24/110
D737,419 S *	8/2015	Emarlou	D23/360
D804,015 S *	11/2017	Lamba	D24/110
D827,117 S *	8/2018	Rigbi	D23/360
D846,798 S *	4/2019	Chen	D27/163
D849,927 S *	5/2019	Von Schuckmann	D24/110
D850,710 S *	6/2019	Wu	D27/101
D851,328 S *	6/2019	Smith	D27/162

D852,408 S *	6/2019	Nettenstrom	D27/101
2011/0271958 A1 *	11/2011	Sawant	A61M 15/0045 128/203.21
2016/0022931 A1 *	1/2016	Althorpe	A61M 15/0028 128/203.12
2016/0367767 A1 *	12/2016	Cashman	A61M 11/005

OTHER PUBLICATIONS

https://www.incensewarehouse.com/Vaporizer--Herbalizer_p_5071.html (Apr. 26, 2019).*

* cited by examiner

Primary Examiner — Susan Bennett Hattan
Assistant Examiner — Rebecca Tsehaye

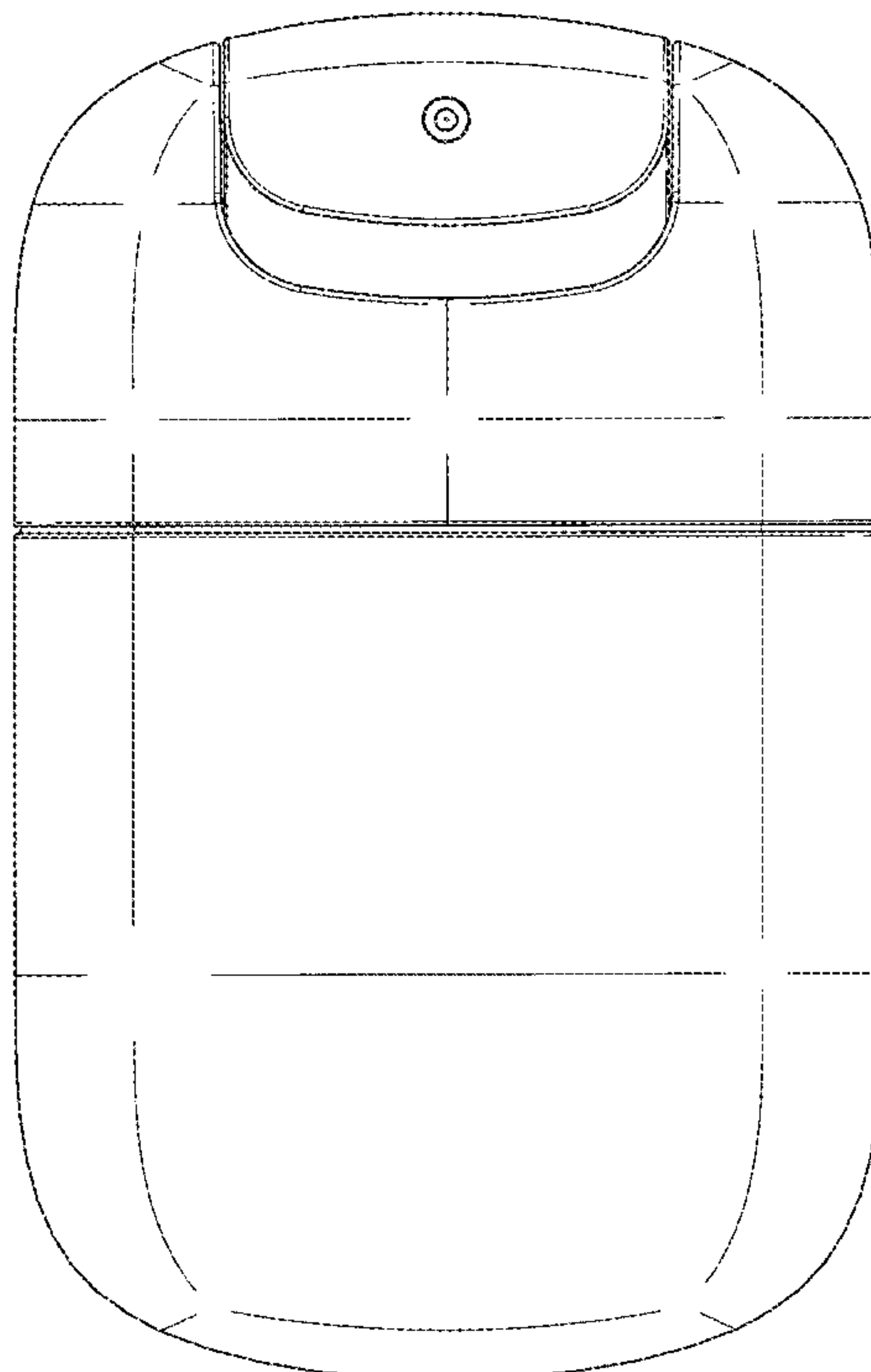
(57) **CLAIM**

The ornamental design for a vaporizer, as shown and described.

DESCRIPTION

FIG. 1 is a front elevational view of a vaporizer showing my new design;
FIG. 2 is a rear elevational view thereof;
FIG. 3 is a left side view thereof;
FIG. 4 is a right side view thereof;
FIG. 5 is a top plan view thereof;
FIG. 6 is a bottom plan view thereof;
FIG. 7 is a perspective view thereof;
FIG. 8 is a second perspective view thereof;
FIG. 9 is a third perspective view thereof;
FIG. 10 is a fourth perspective view thereof; and,
FIG. 11 is a fifth perspective view thereof.
The broken lines in the drawings depict portions of the vaporizer that form no part of the claimed design.

1 Claim, 9 Drawing Sheets



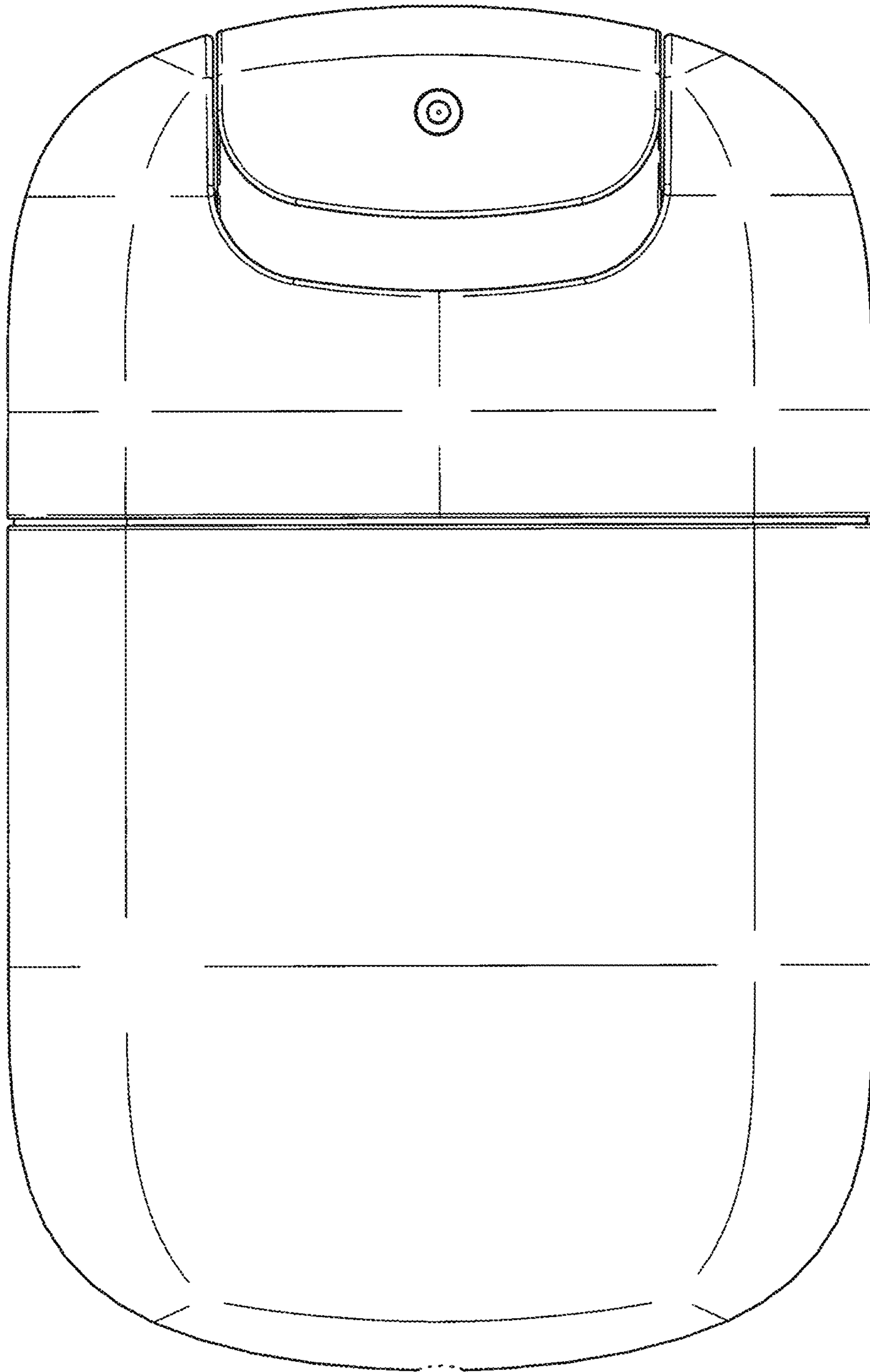


FIG. 1

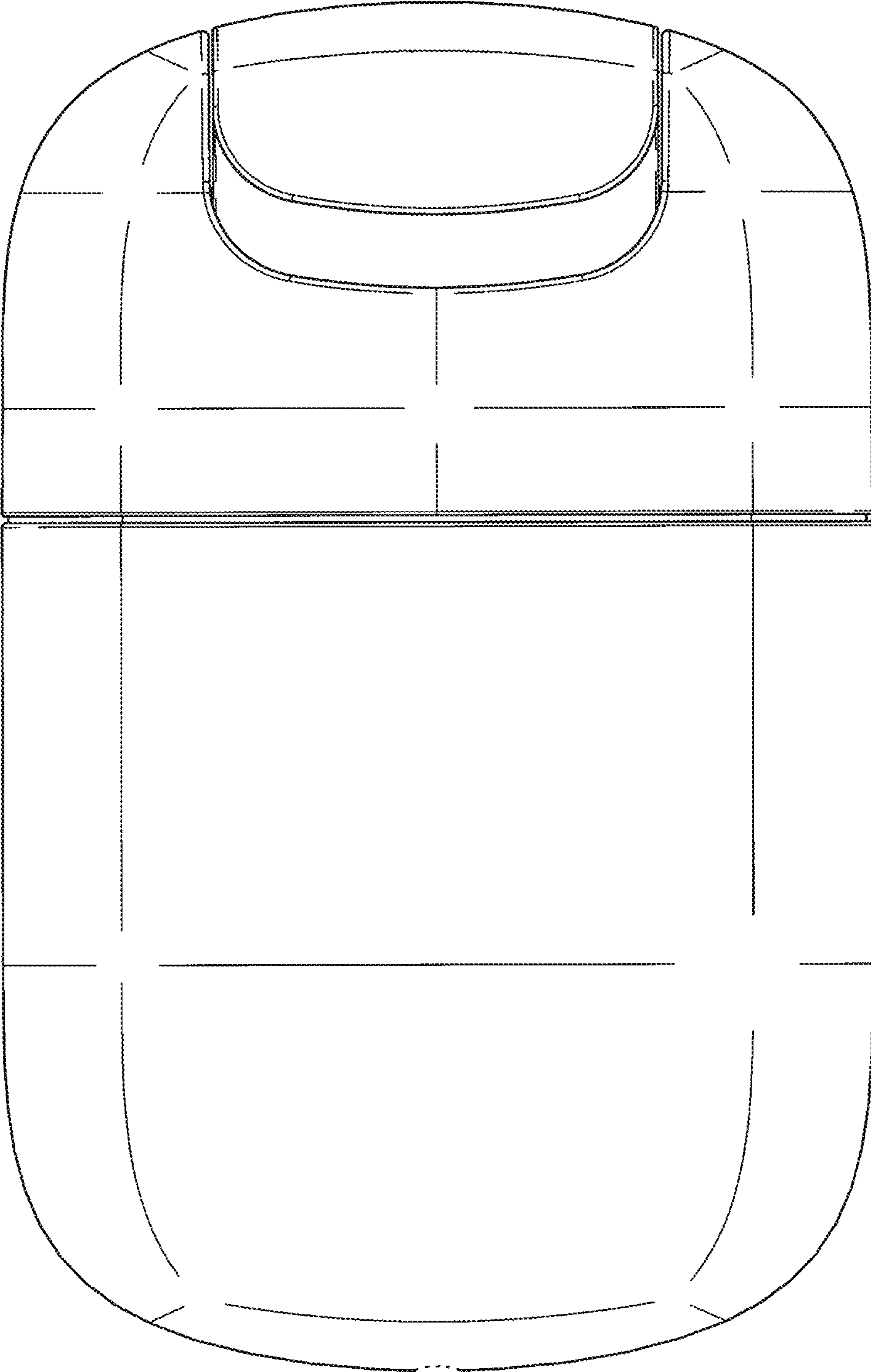


FIG. 2

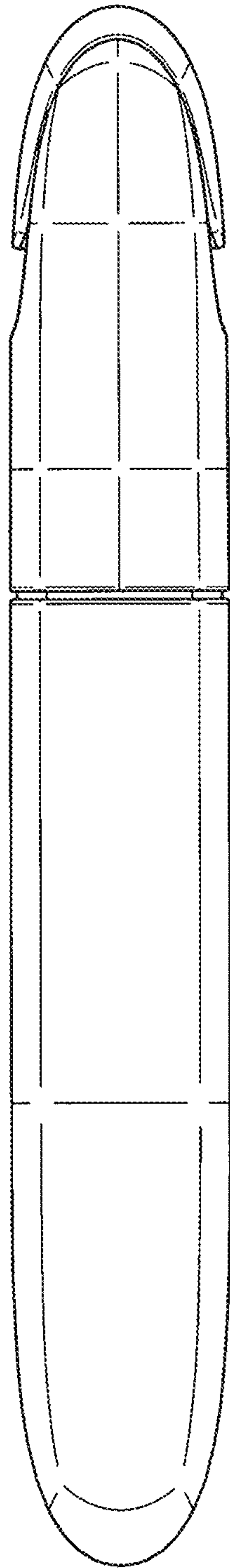


FIG. 3

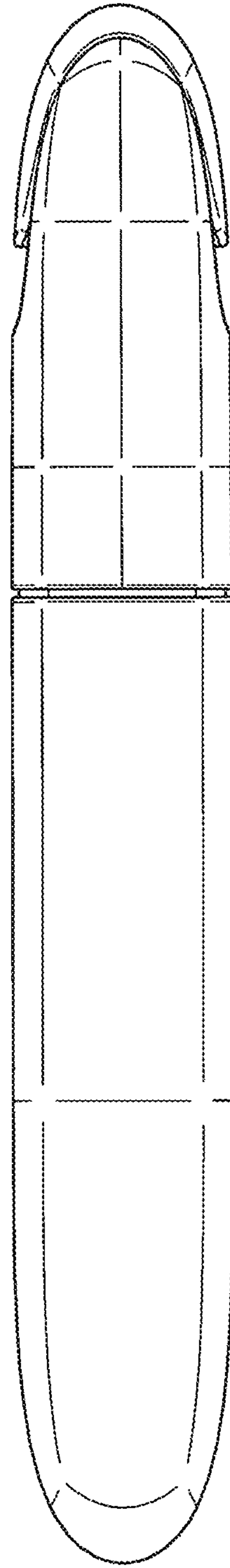


FIG. 4

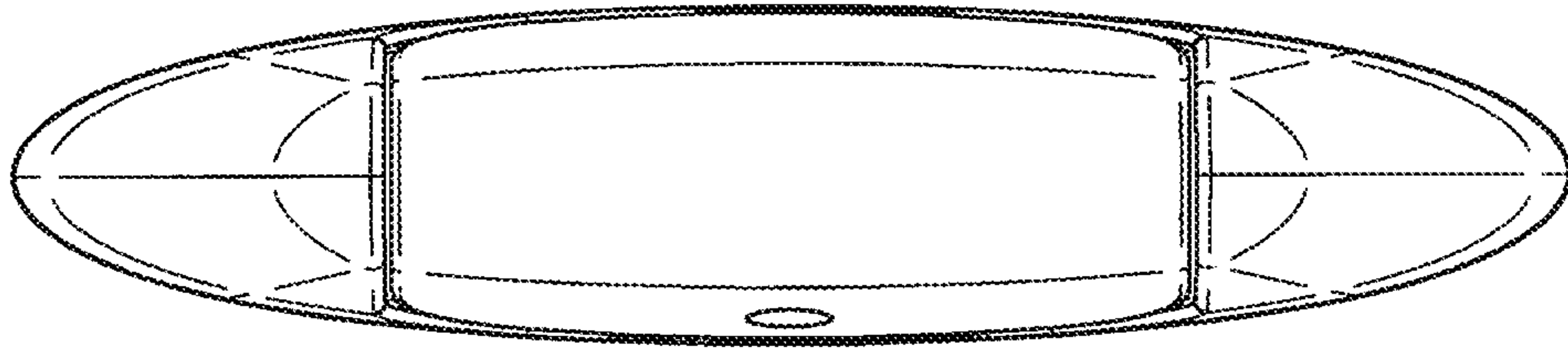


FIG. 5

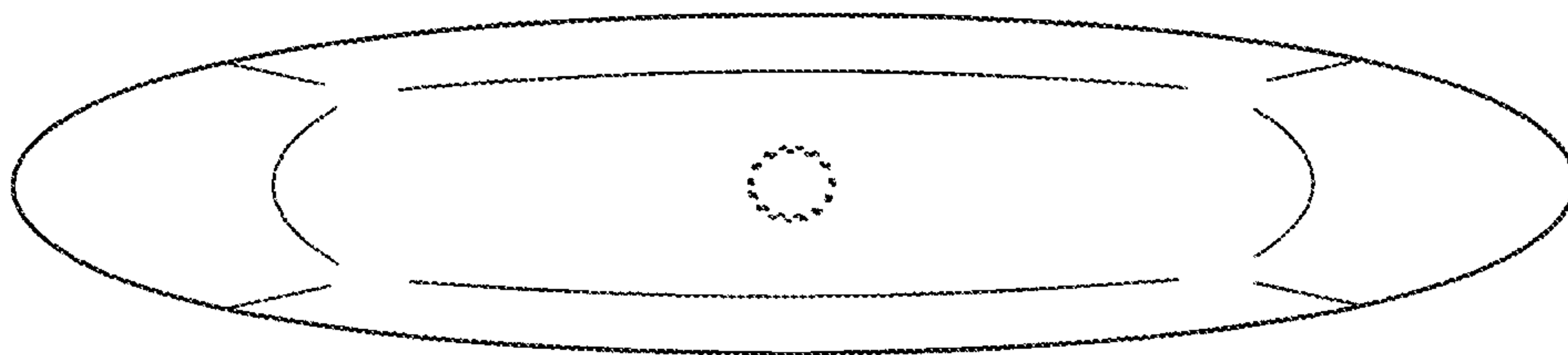


FIG. 6

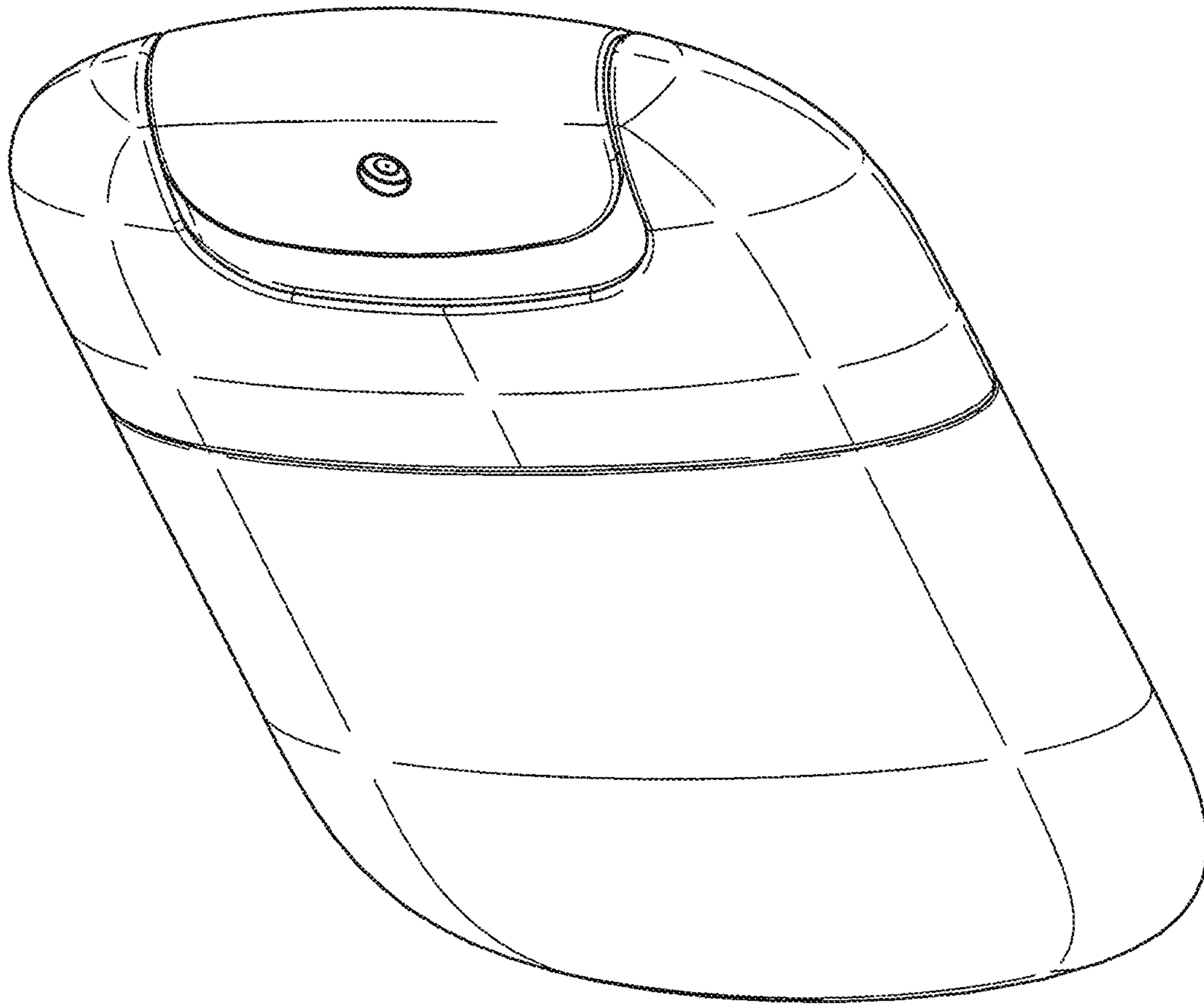


FIG. 7

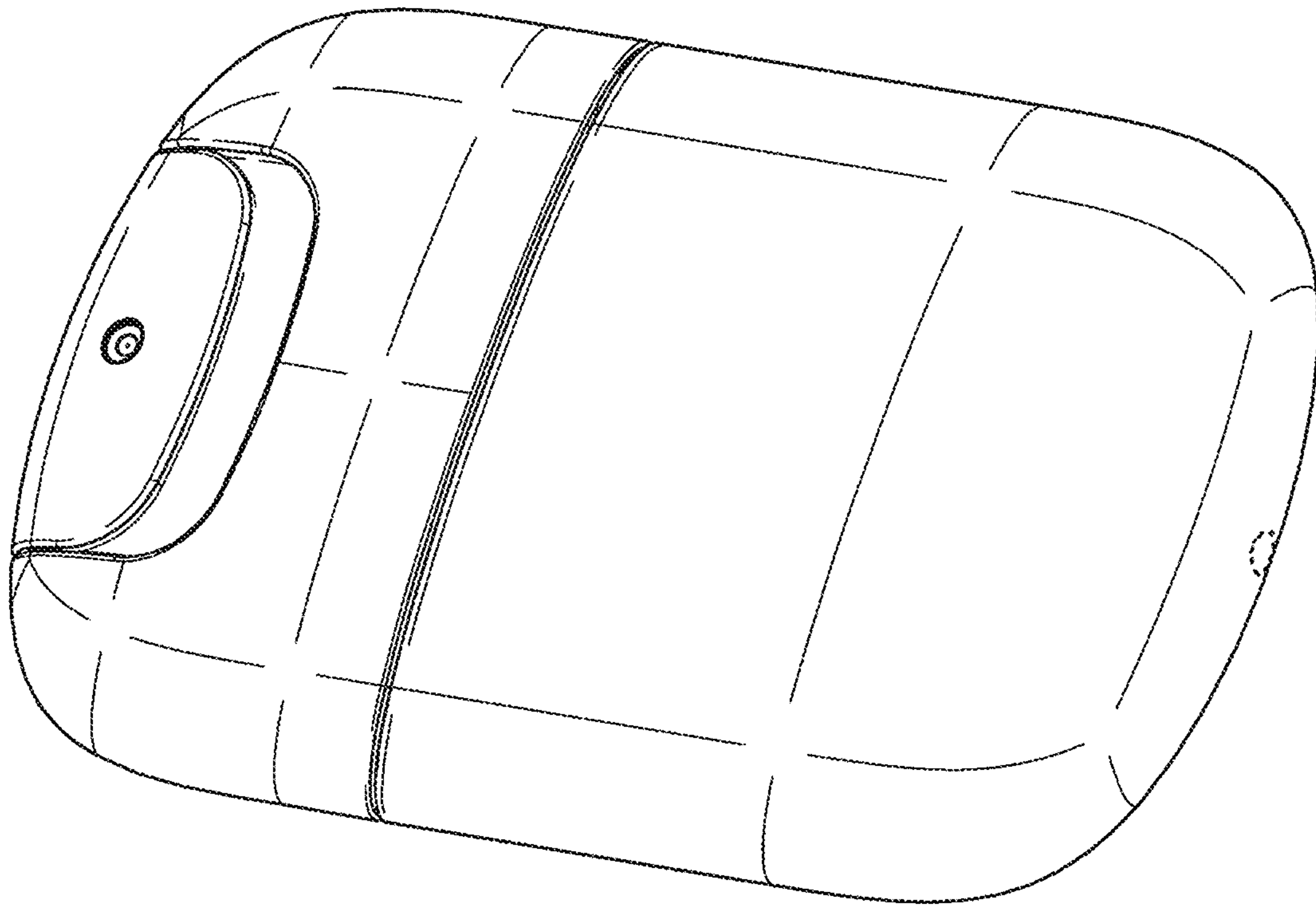


FIG. 8

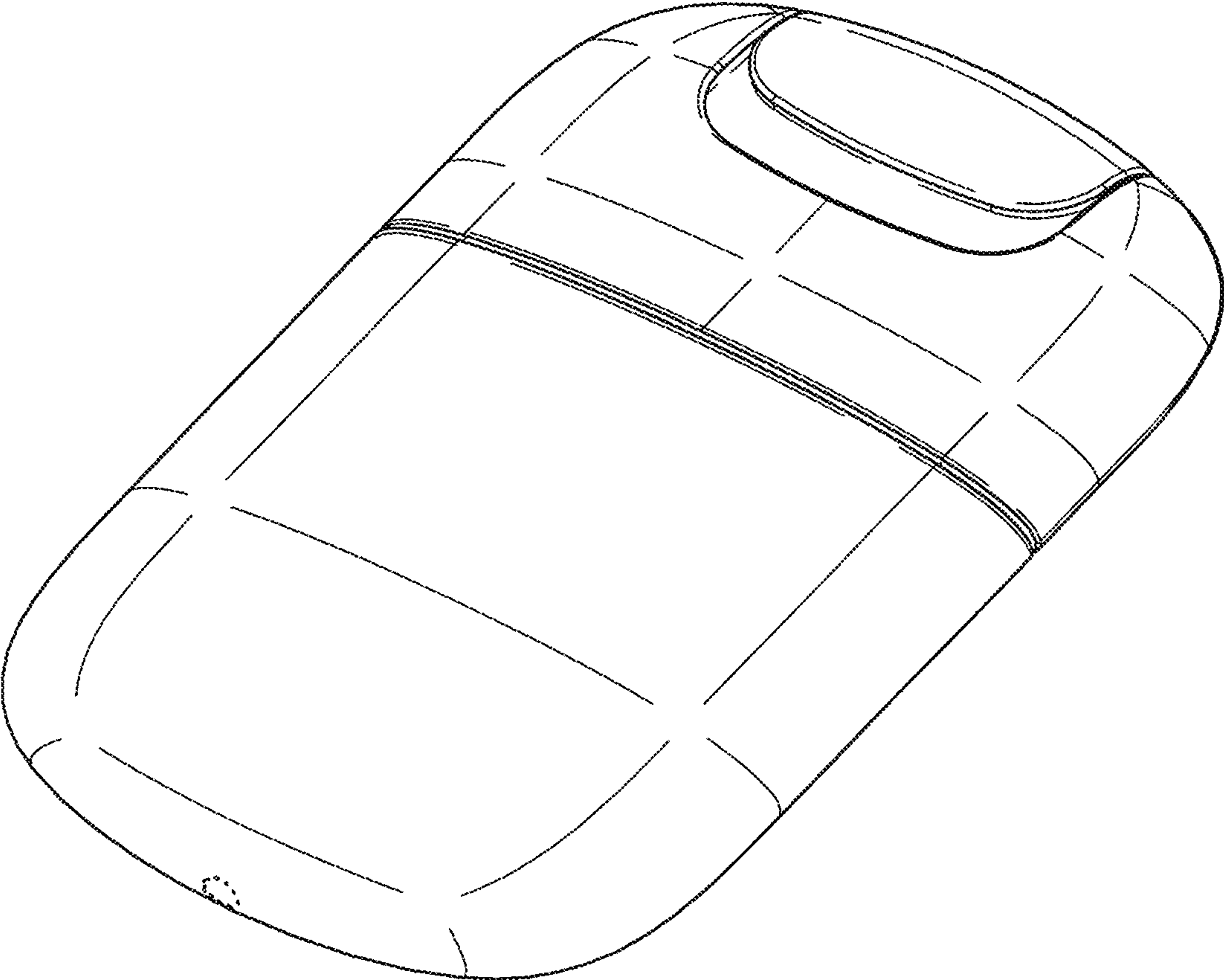


FIG. 9

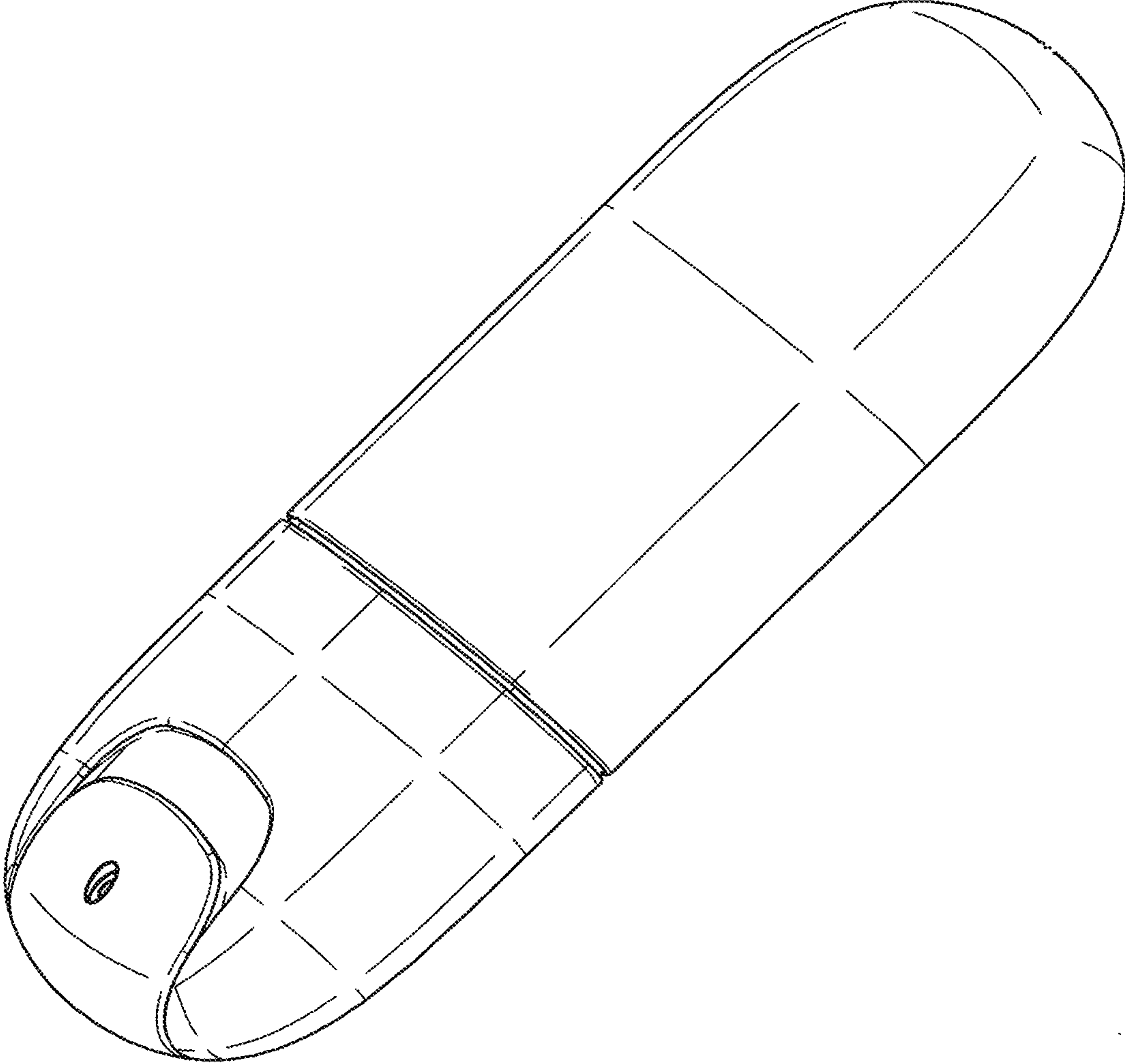


FIG. 10

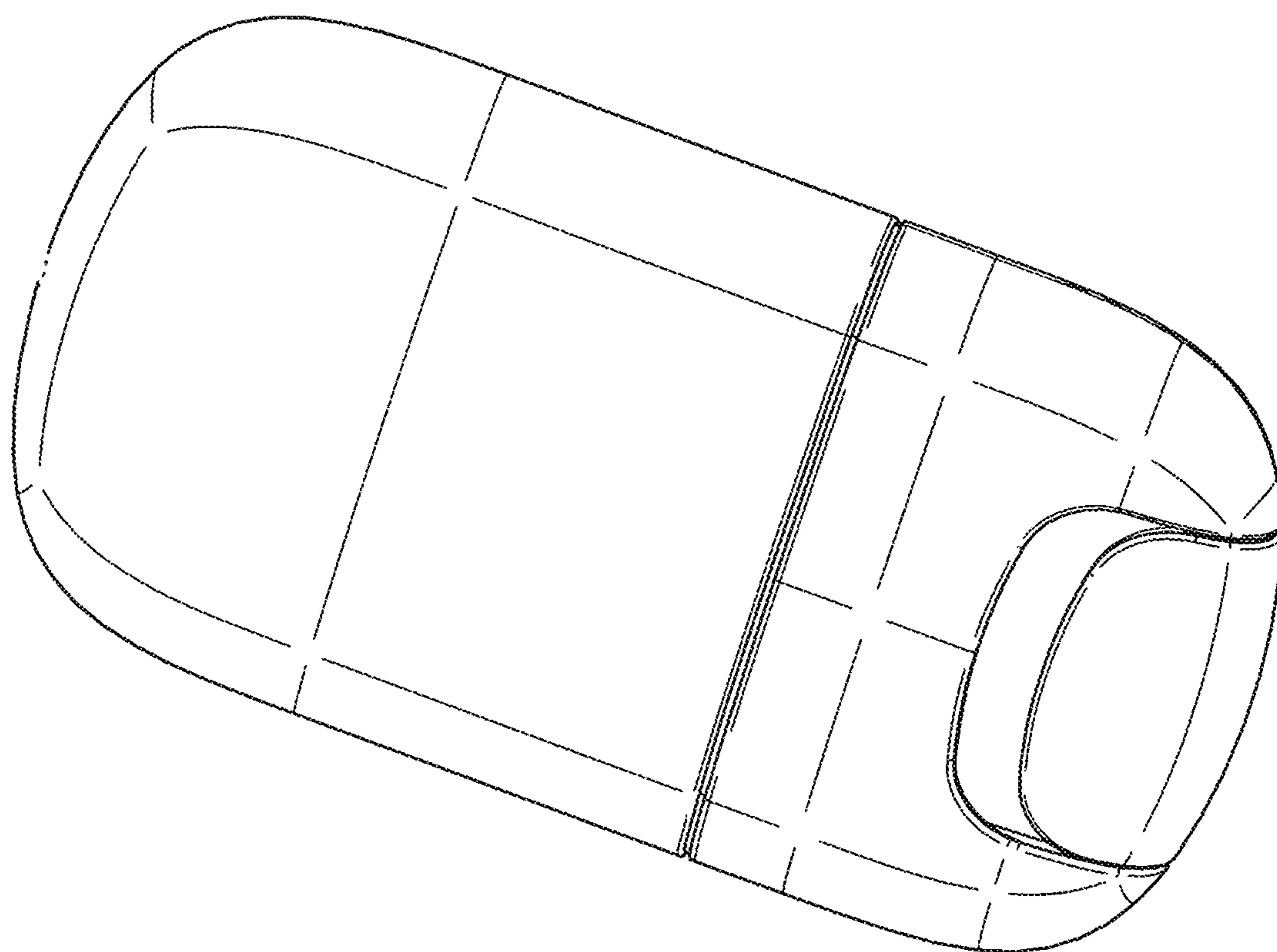


FIG. 11