



US00D882860S

(12) **United States Design Patent**
Gordin et al.

(10) **Patent No.:** **US D882,860 S**
(45) **Date of Patent:** **** Apr. 28, 2020**

(54) **WRAPAROUND VISOR**

(71) Applicant: **Musco Corporation**, Oskaloosa, IA (US)

(72) Inventors: **Myron Gordin**, Oskaloosa, IA (US);
Joel D. DeBoef, New Sharon, IA (US);
Steven T. Heaton, Oskaloosa, IA (US);
Kenneth G. Lewis, Jr., New Sharon, IA (US);
Chris P. Lickiss, Newton, IA (US);
Luke C. McKee, Oskaloosa, IA (US)

(73) Assignee: **Musco Corporation**, Oskaloosa, IA (US)

(**) Term: **15 Years**

(21) Appl. No.: **29/663,943**

(22) Filed: **Sep. 20, 2018**

(51) **LOC (12) Cl.** **26-05**

(52) **U.S. Cl.**
USPC **D26/118**

(58) **Field of Classification Search**
USPC D26/24, 28, 61-68, 72, 77, 85, 87, 92,
D26/118-120

(Continued)

(56) **References Cited**

U.S. PATENT DOCUMENTS

D316,306 S * 4/1991 Shemitz D26/63
D472,339 S * 3/2003 Russello D26/63
(Continued)

OTHER PUBLICATIONS

Gordin, Myron et al., unpublished Pending Design U.S. Appl. No. 29/637,422, Adjustable Lighting Fixture With Wraparound Visor, filed Feb. 19, 2018.

(Continued)

Primary Examiner — Wan Laymon

Assistant Examiner — Clint A Samuel

(74) *Attorney, Agent, or Firm* — Jessica R. Boer

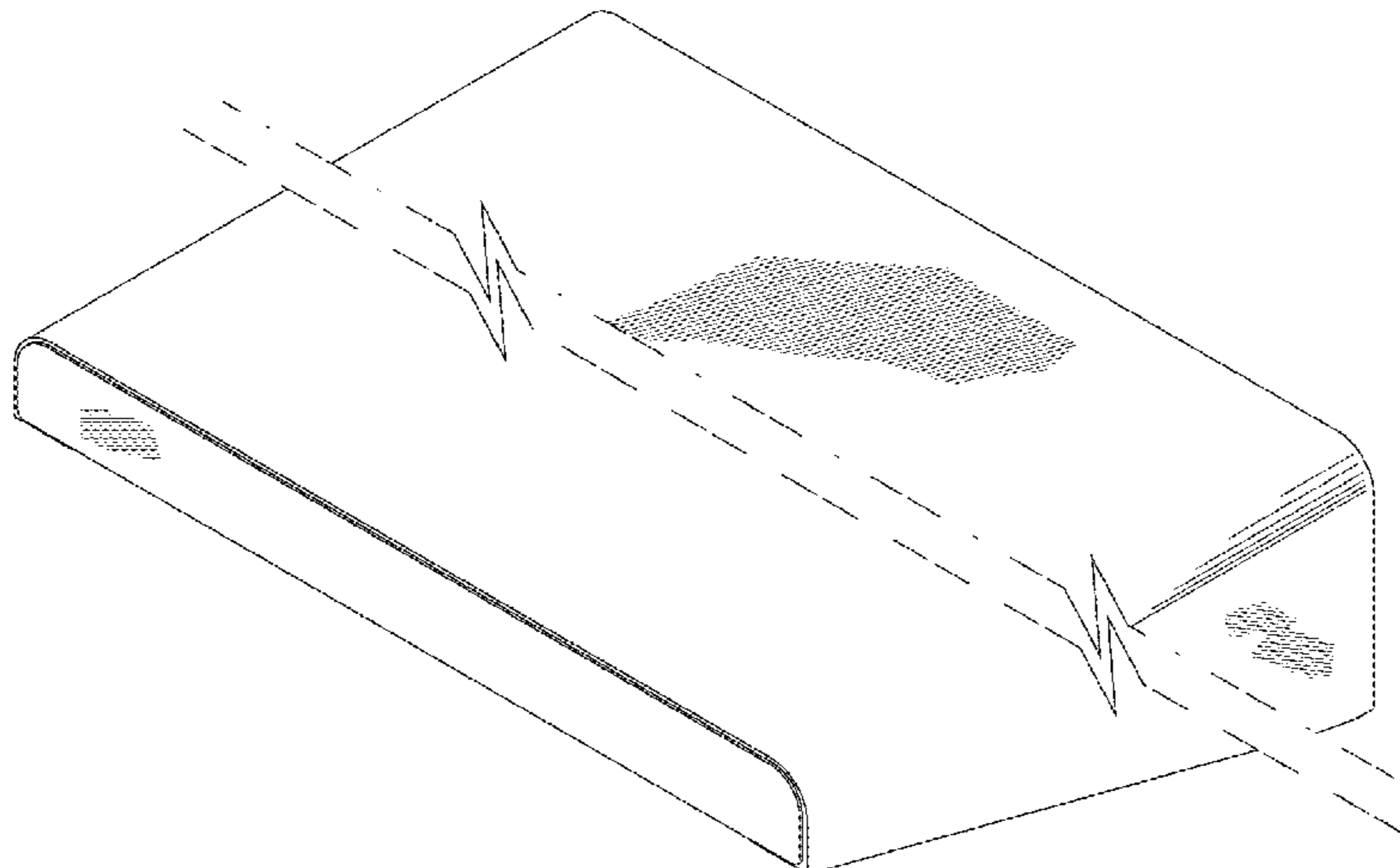
(57) **CLAIM**

The ornamental design for a wraparound visor, as shown and described.

DESCRIPTION

FIG. 1 is a top front perspective view of the wraparound visor, showing our new design;
FIG. 2 is a bottom front perspective view of the design;
FIG. 3 is a front elevation of FIG. 1;
FIG. 4 is a back elevation of FIG. 1;
FIG. 5 is a right side elevation of FIG. 1;
FIG. 6 is a left side elevation of FIG. 1;
FIG. 7 is a top plan view of FIG. 1; and
FIG. 8 is a bottom plan view of FIG. 1.
FIG. 9 is a top front perspective view of the claimed design in an optional length;
FIG. 10 is a bottom front perspective view of the design;
FIG. 11 is a front elevation of FIG. 9;
FIG. 12 is a back elevation of FIG. 9;
FIG. 13 is a right side elevation of FIG. 9;
FIG. 14 is a left side elevation of FIG. 9;
FIG. 15 is a top plan view of FIG. 9;
FIG. 16 is a bottom plan view of FIG. 9;
FIG. 17 is a top front perspective view of the claimed design in an alternative optional length;
FIG. 18 is a bottom front perspective view of the design;
FIG. 19 is a front elevation of FIG. 17;
FIG. 20 is a back elevation of FIG. 17;
FIG. 21 is a right side elevation of FIG. 17;
FIG. 22 is a left side elevation of FIG. 17;
FIG. 23 is a top plan view of FIG. 17; and
FIG. 24 is a bottom plan view of FIG. 17.
FIG. 25 is a top front perspective view of the claimed design in an alternative optional length with a first environmental structure; and,
FIG. 26 is a top front perspective view of the design with a second environmental structure.
The broken line showing in the drawing is included for the purpose of illustrating environmental portions of the wrap-around visor and forms no part of the claimed design.

(Continued)



The wraparound visor is shown with a symbolic break in its length. The appearance of any portion of the article between the break lines forms no part of the claimed design.

D833,662	S	*	11/2018	Gordin	D26/63
D841,854	S	*	2/2019	Gordin	D26/63
D841,855	S	*	2/2019	Gordin	D26/63
D841,856	S	*	2/2019	Gordin	D26/63

1 Claim, 26 Drawing Sheets

(58) Field of Classification Search

CPC .. F21S 8/003; F21S 8/085; F21S 8/086; F21S 8/088; F21V 15/00; F21V 15/01; F21V 21/22; F21V 21/30; F21V 21/116; F21V 11/04; F21V 11/14; F21W 2131/10; F21W 2131/20; F21W 2131/40; F21W 2131/101; F21W 2131/103; F21W 2131/105; F21W 2131/107; F21W 2131/208; F21W 2131/402; F21W 2131/406; F21W 2131/407; F21W 2131/1005

See application file for complete search history.

(56) References Cited

U.S. PATENT DOCUMENTS

D485,636	S	*	1/2004	Patterson	D26/87
D670,421	S	*	11/2012	Herberholt	D26/63
D674,131	S	*	1/2013	Gordin	D26/118
D695,952	S		12/2013	Gordin et al.		
D734,532	S	*	7/2015	Gordin	D26/118
D743,602	S		11/2015	Gordin et al.		
D771,854	S		11/2016	Gordin et al.		
D808,053	S		1/2018	Gordin et al.		
9,964,267	B1	*	5/2018	Van Ee	F21S 8/086

OTHER PUBLICATIONS

Gordin, Myron et al., unpublished Pending Design U.S. Appl. No. 29/637,423, Adjustable Lighting Fixture With Wraparound Visor, filed Feb. 19, 2018.

Gordin, Myron et al., unpublished Pending Design U.S. Appl. No. 29/637,425, Adjustable Lighting Fixture With Wraparound Visor, filed Feb. 19, 2018.

Gordin, Myron et al., unpublished Pending Design U.S. Appl. No. 29/637,504, Adjustable Lighting Fixture With Wraparound Visor, filed Feb. 19, 2018.

Gordin, Myron et al., unpublished Pending Design U.S. Appl. No. 29/637,505, Adjustable Lighting Fixture With Wraparound Visor, filed Feb. 19, 2018.

Gordin, Myron et al., unpublished Pending Design U.S. Appl. No. 29/637,508, Adjustable Lighting Fixture With Wraparound Visor, filed Feb. 19, 2018.

Gordin, Myron et al., unpublished Pending Design U.S. Appl. No. 29/627,868, Adjustable Lighting Fixture, filed Nov. 30, 2017.

Gordin, Myron et al., unpublished Pending Design U.S. Appl. No. 29/627,873, Adjustable Lighting Fixture, filed Nov. 30, 2017.

Gordin, Myron et al., unpublished Pending Design U.S. Appl. No. 29/627,901, Adjustable Lighting Fixture, filed Nov. 30, 2017.

Gordin, Myron et al., unpublished Pending U.S. Appl. No. 15/826,772, Apparatus, Method, and System for Cost-Effective Lighting System Retrofits Including LED Luminaires.

Gordin, Myron et al., unpublished Pending U.S. Appl. No. 16/000,567, Apparatus, Method, and System for Precise LED Lighting.

* cited by examiner

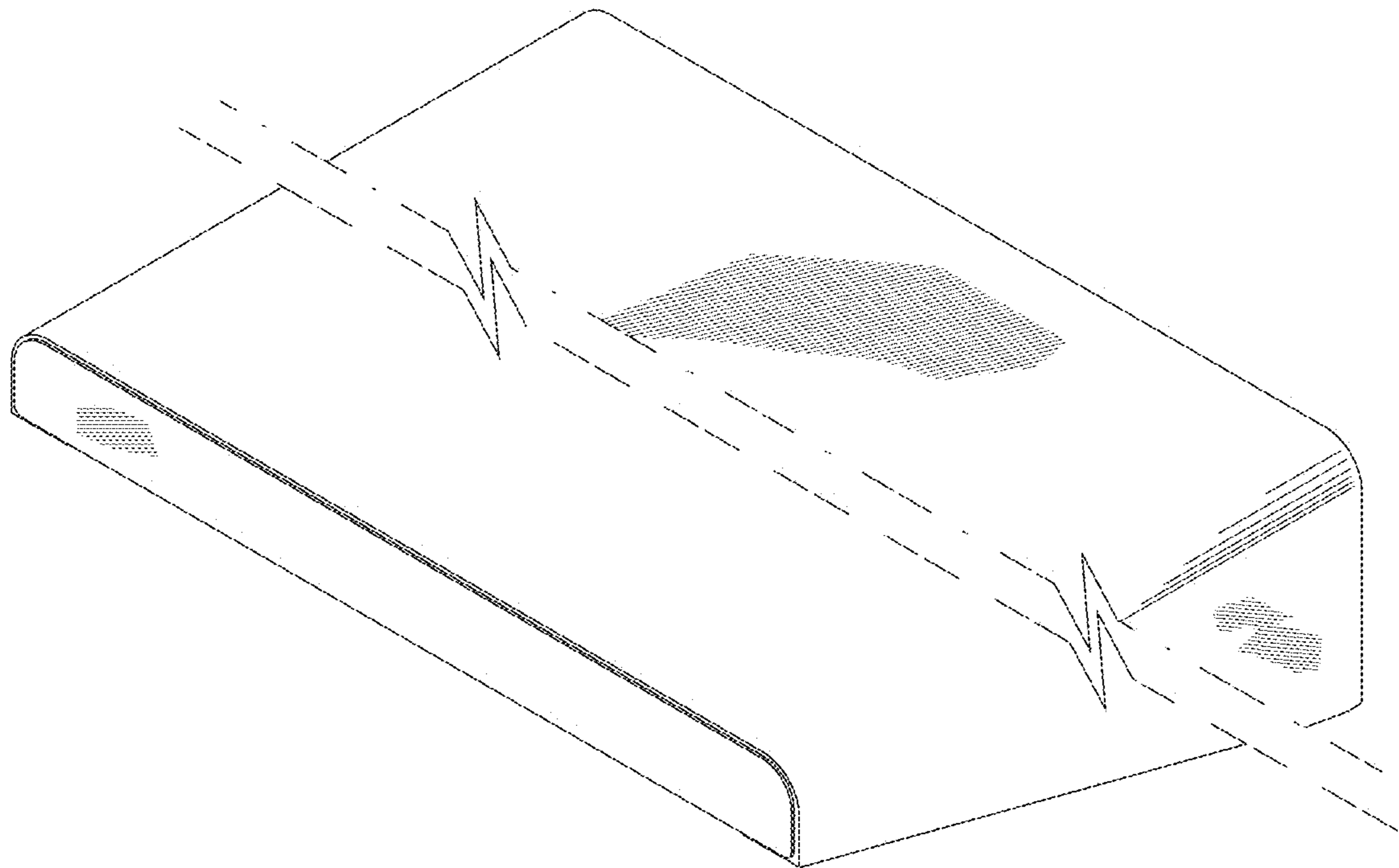


Fig 1

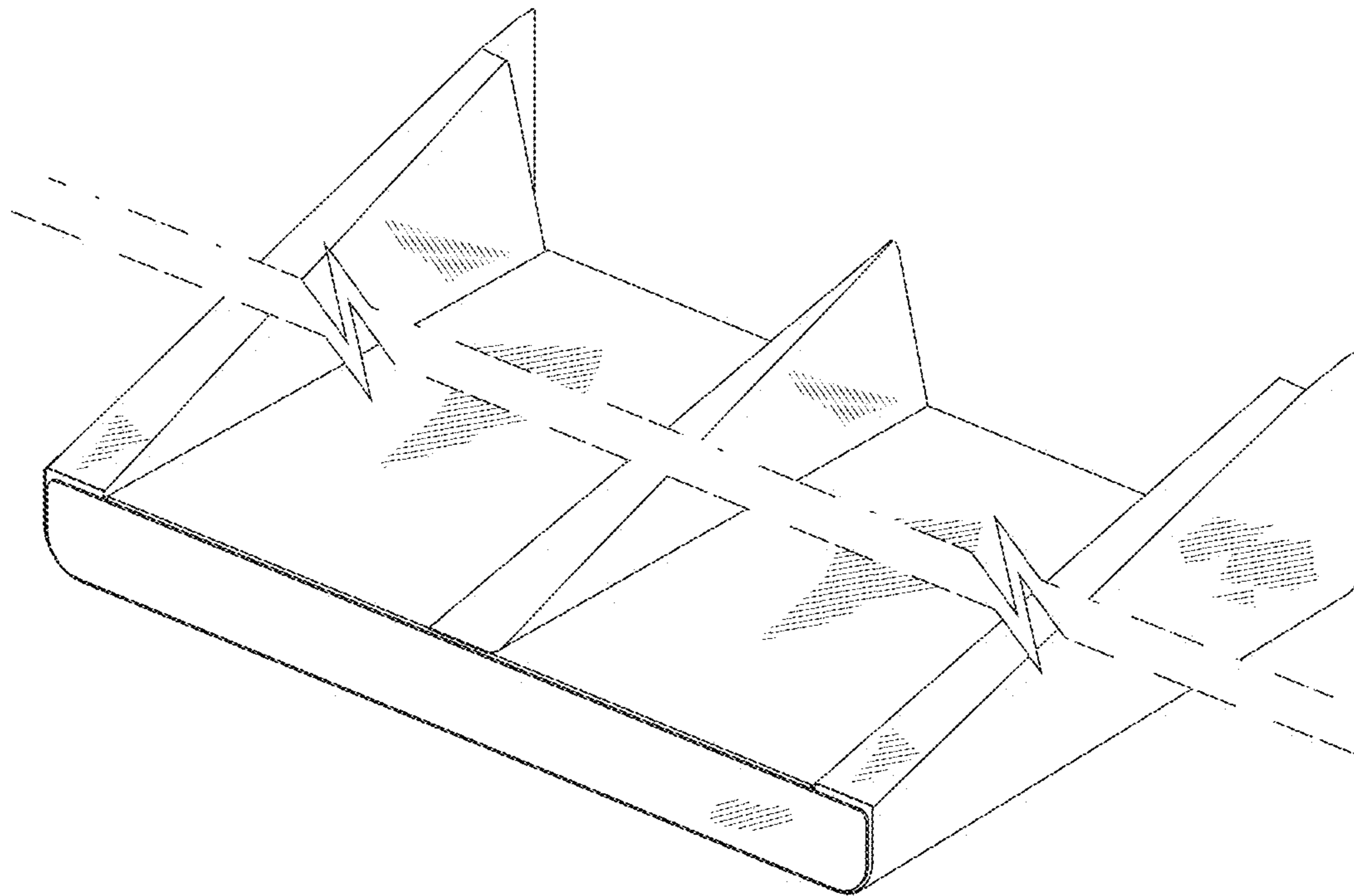


Fig 2

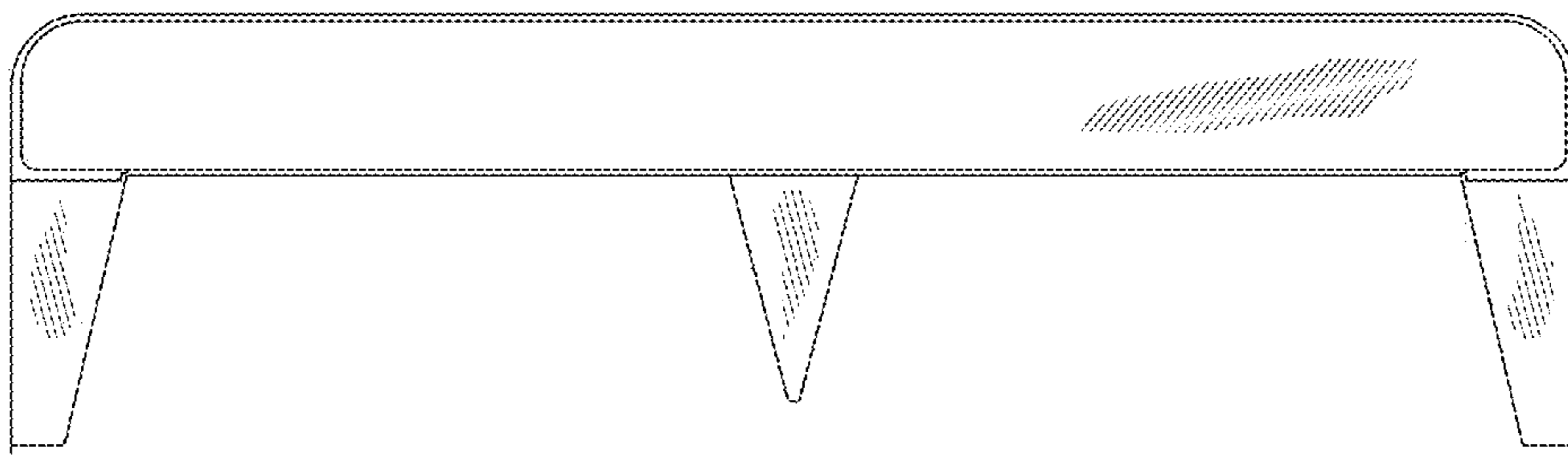


Fig 3

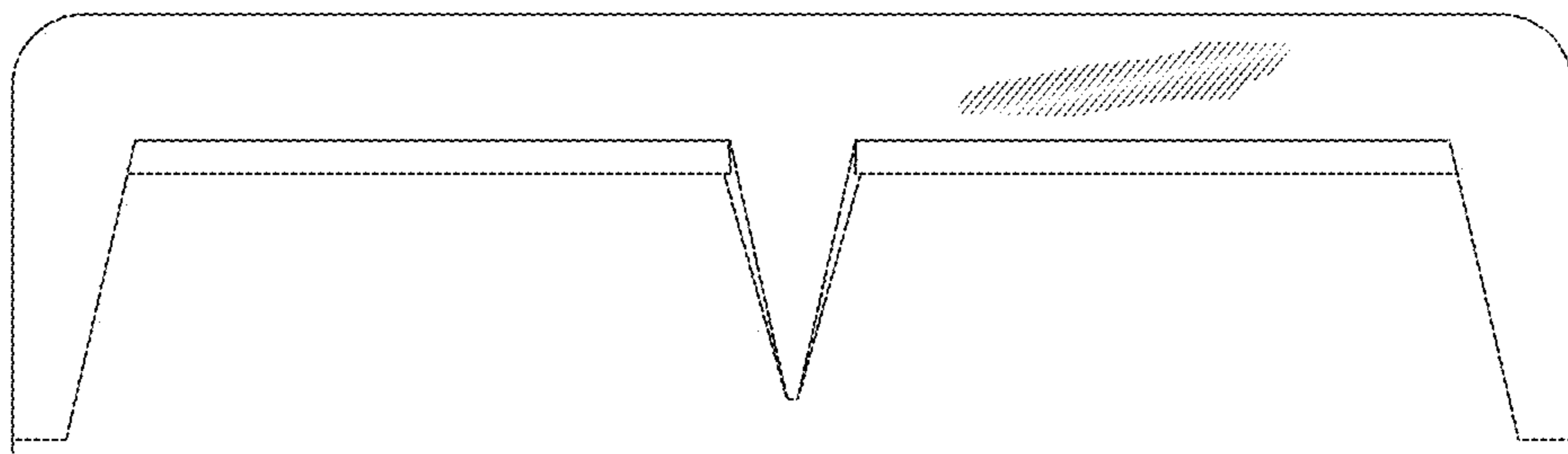


Fig 4

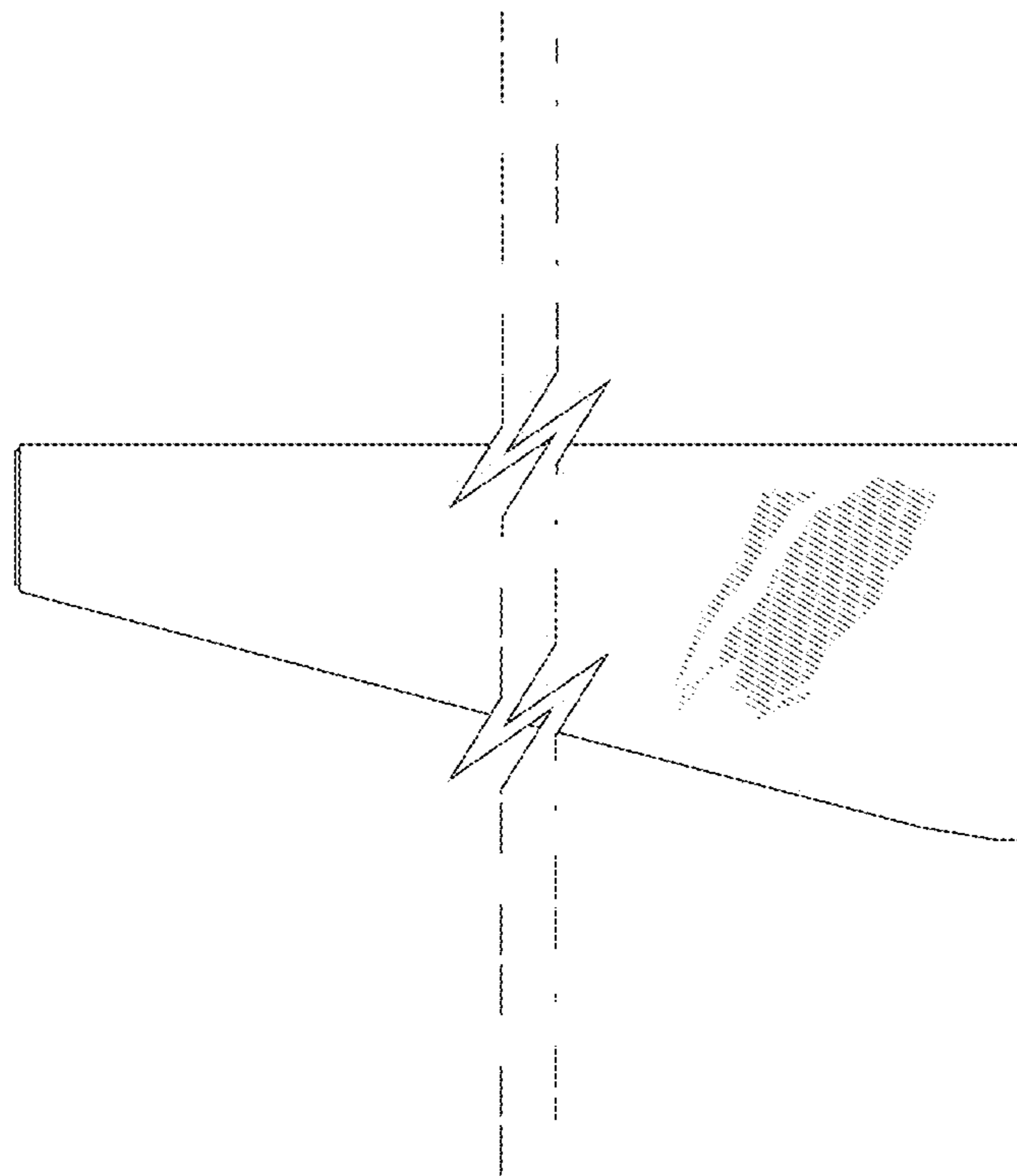


Fig 5

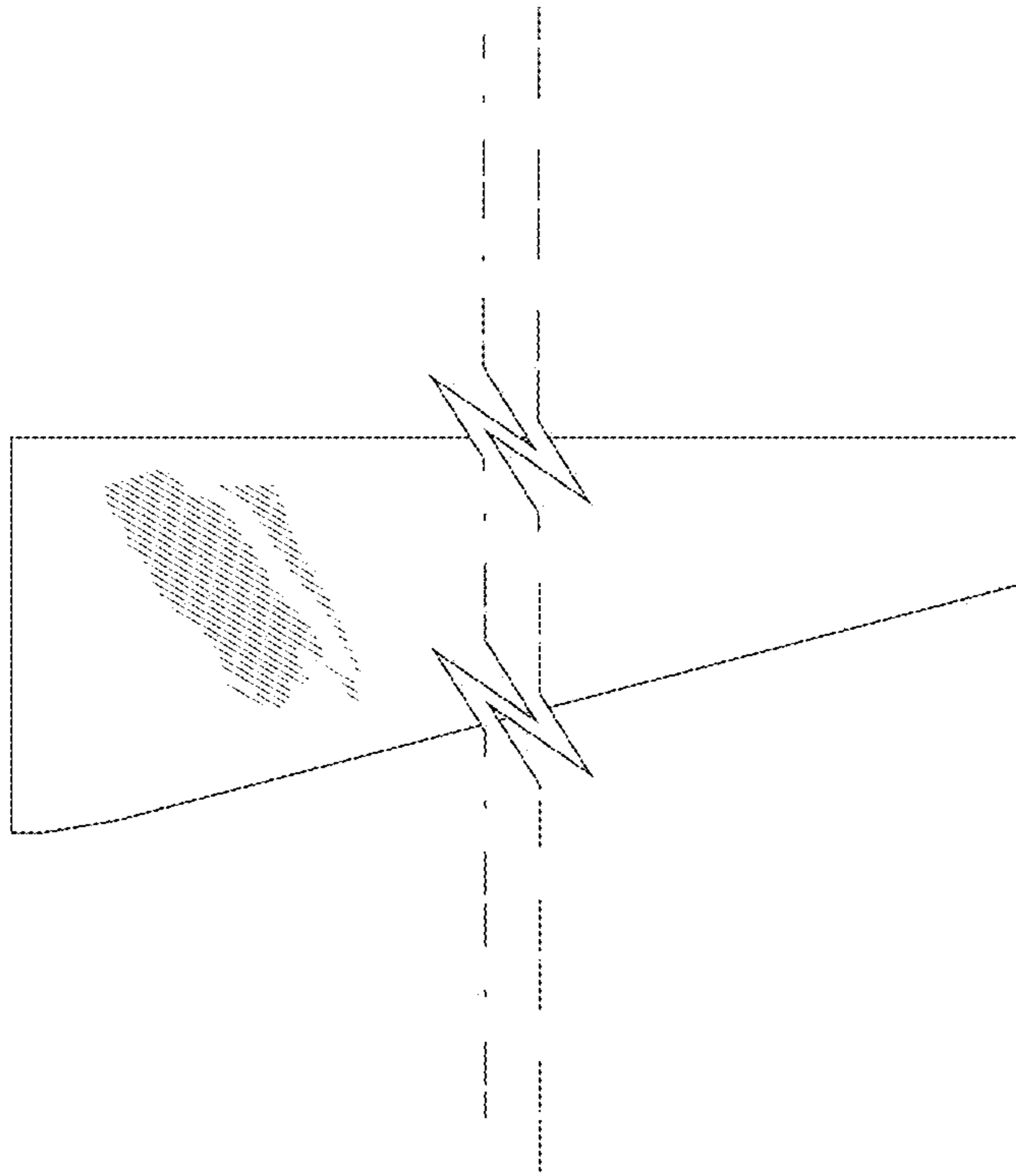


Fig 6

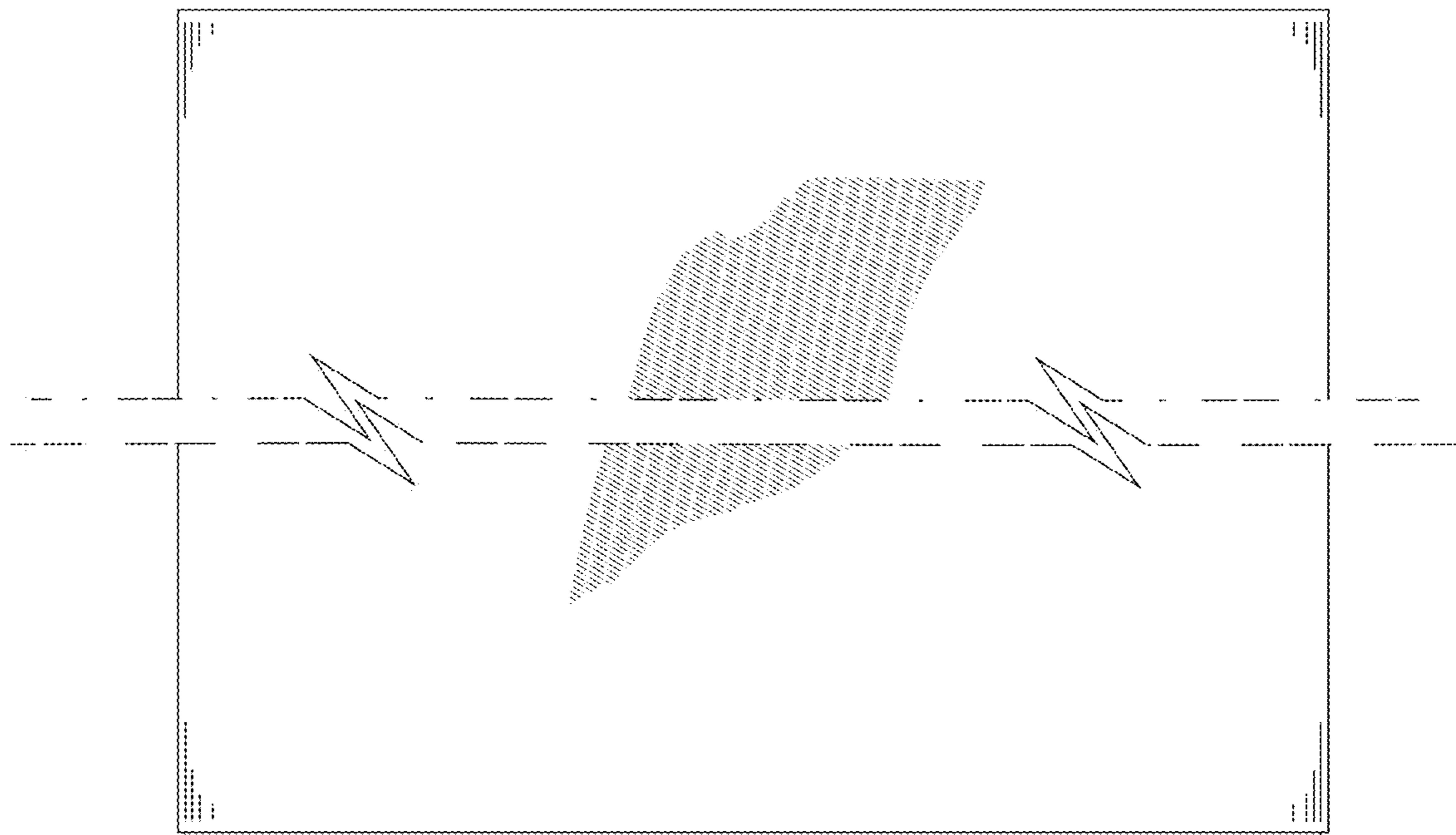


Fig 7

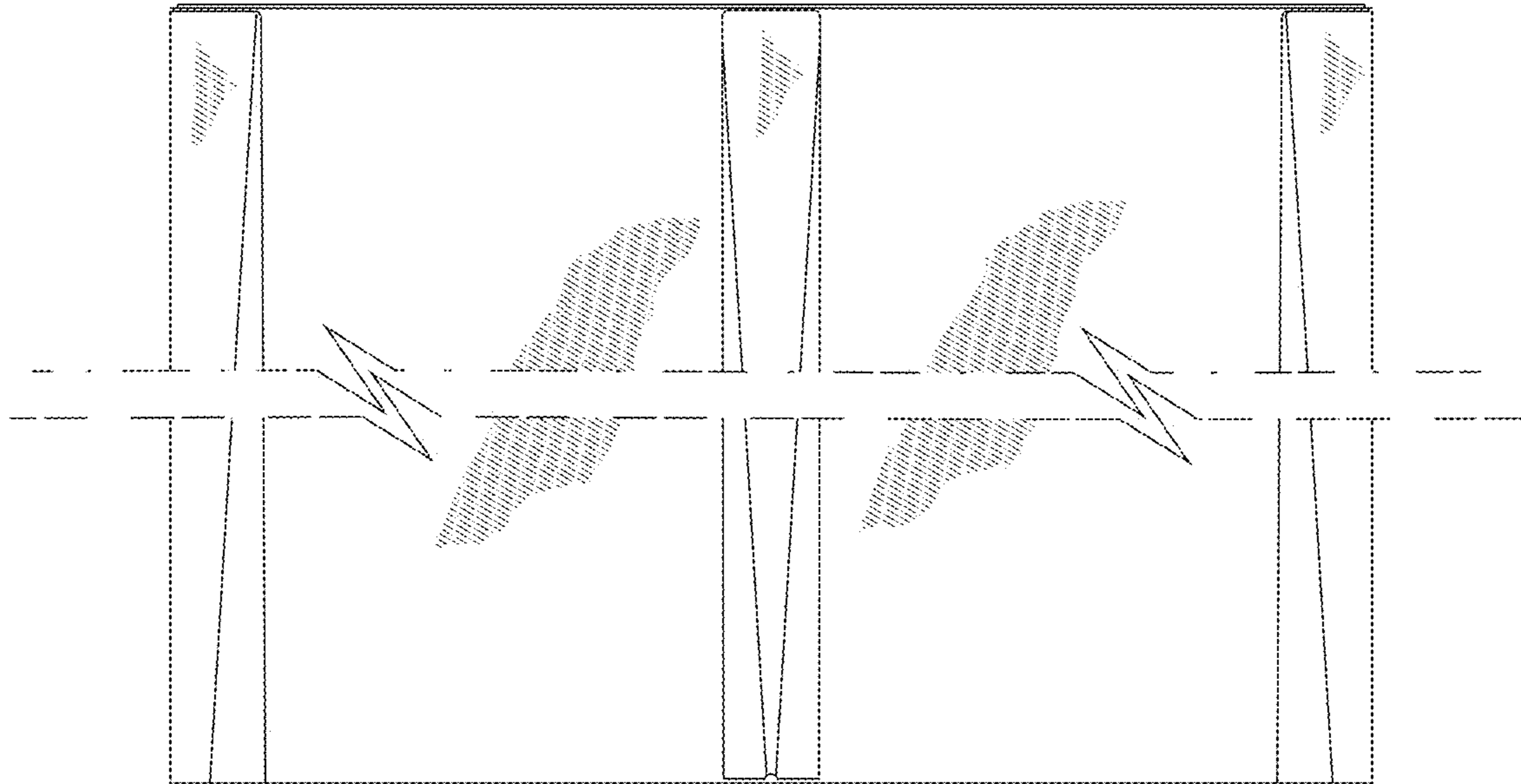


Fig 8

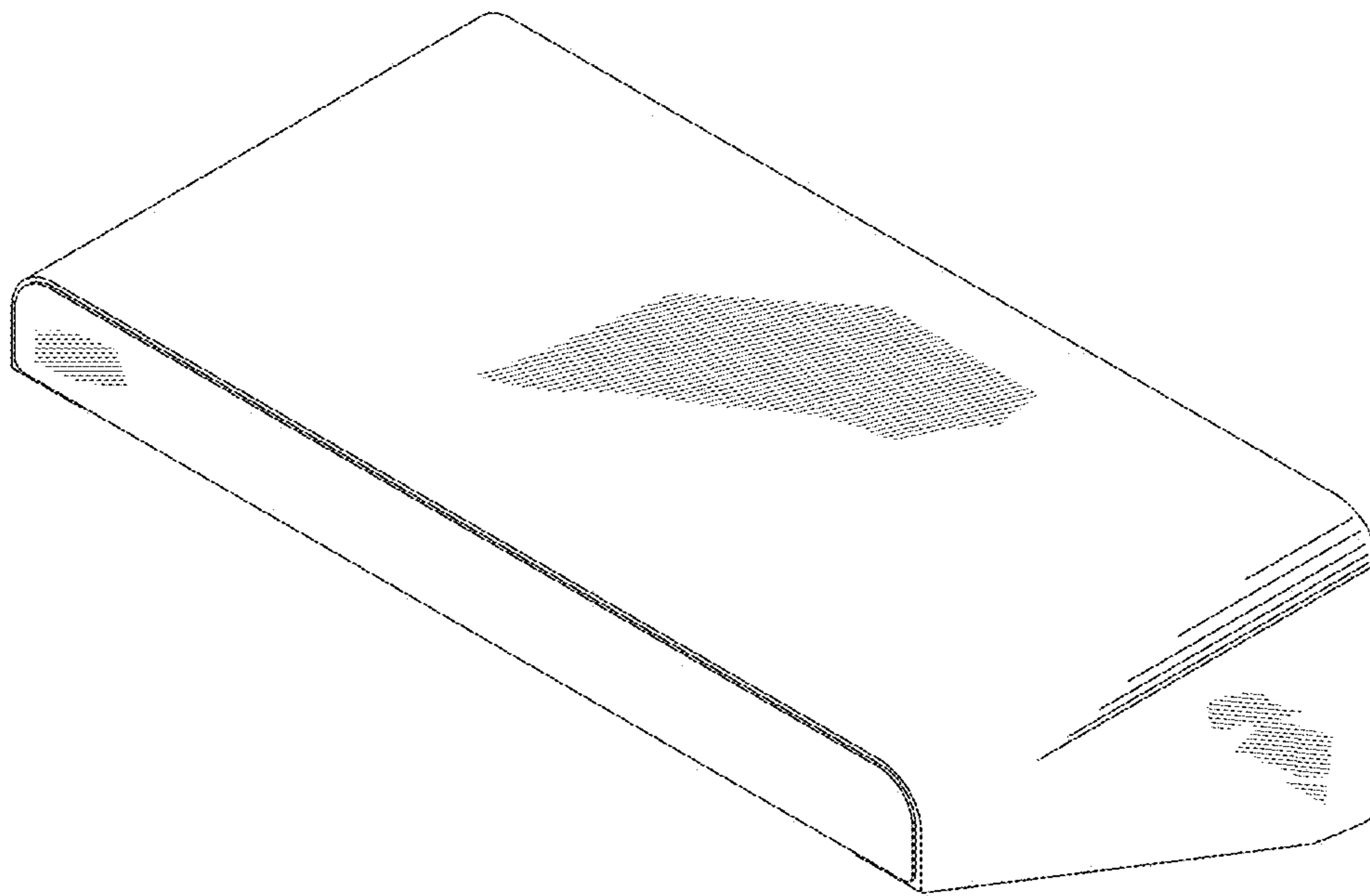


Fig 9

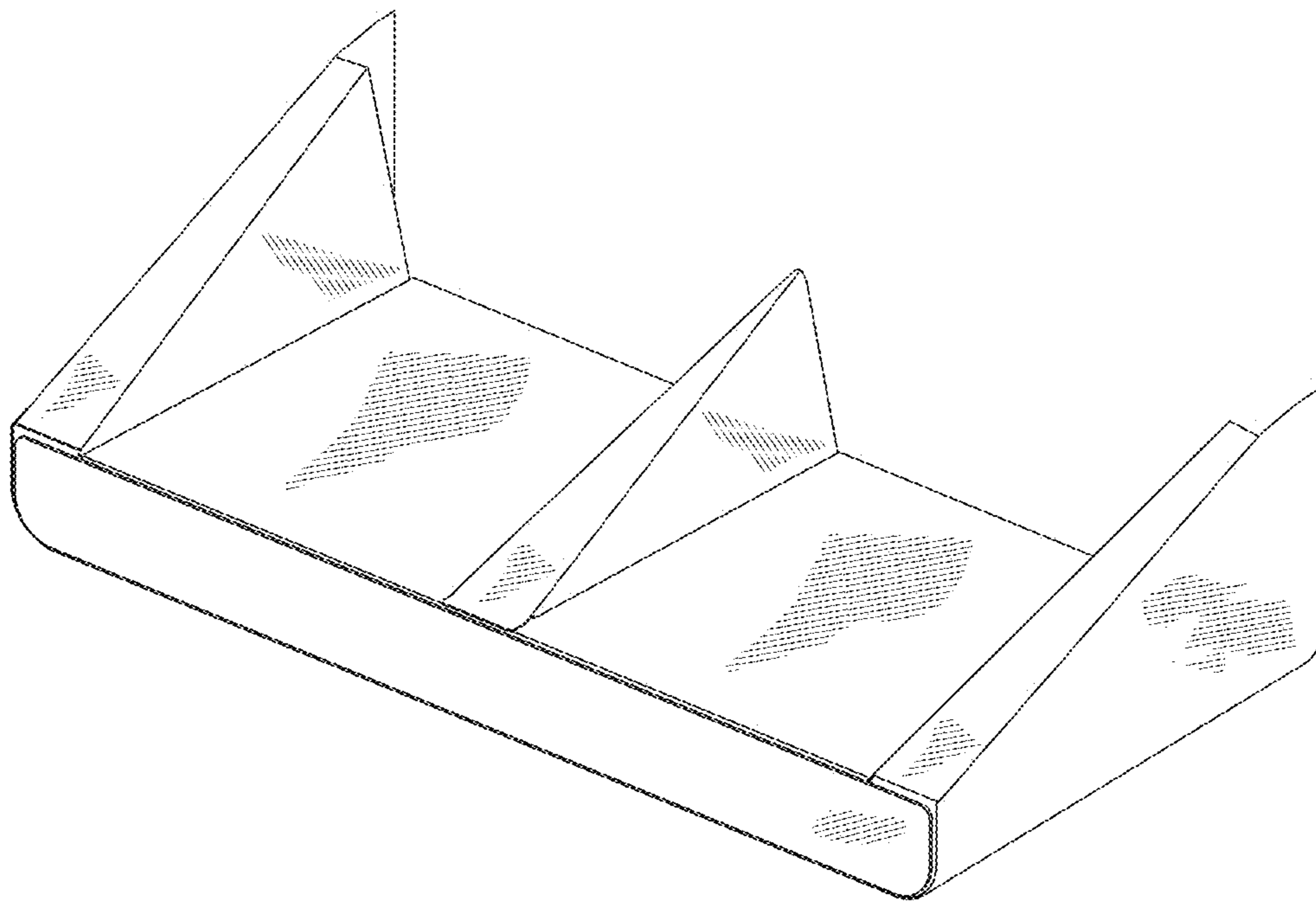


Fig 10

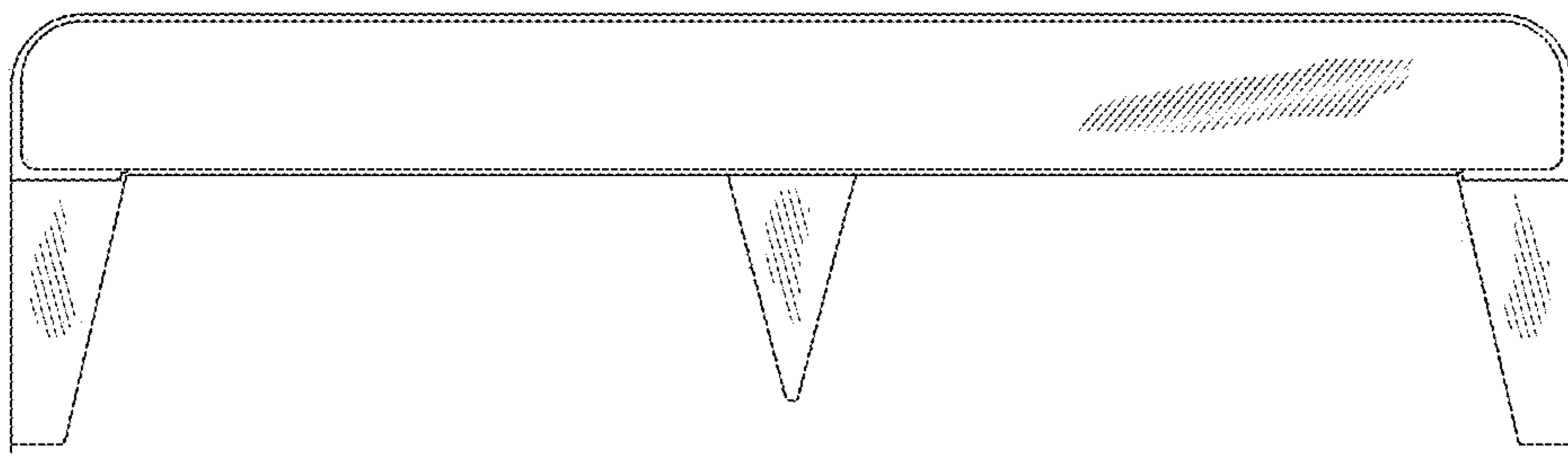


Fig 11

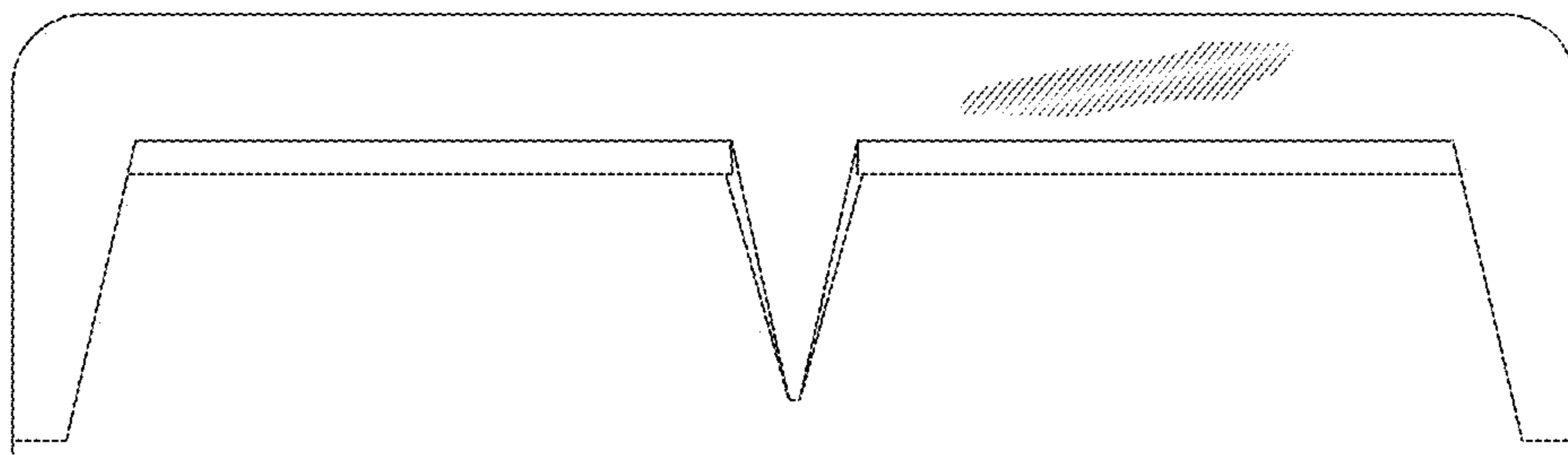


Fig 12



Fig 13

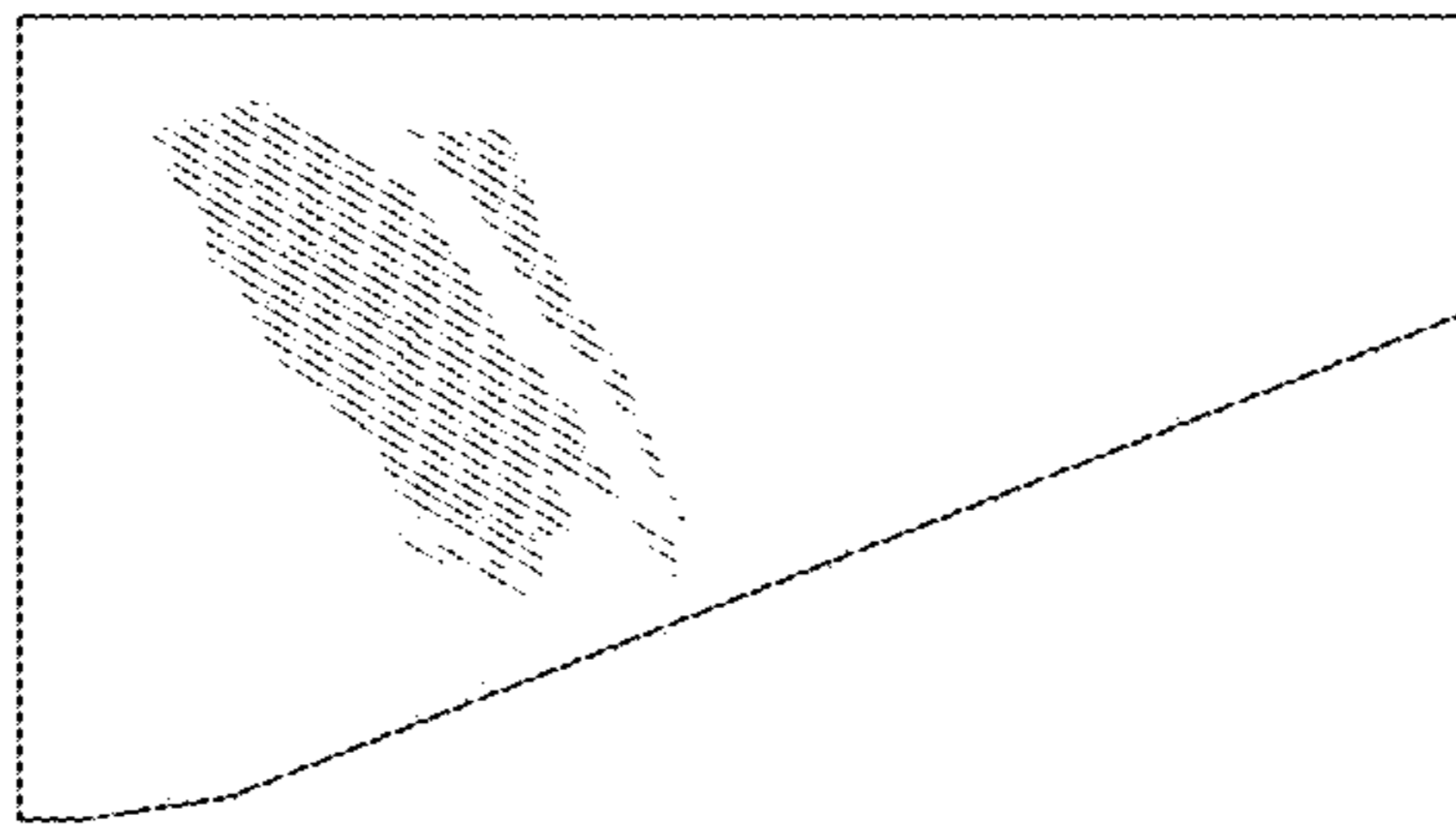


Fig 14

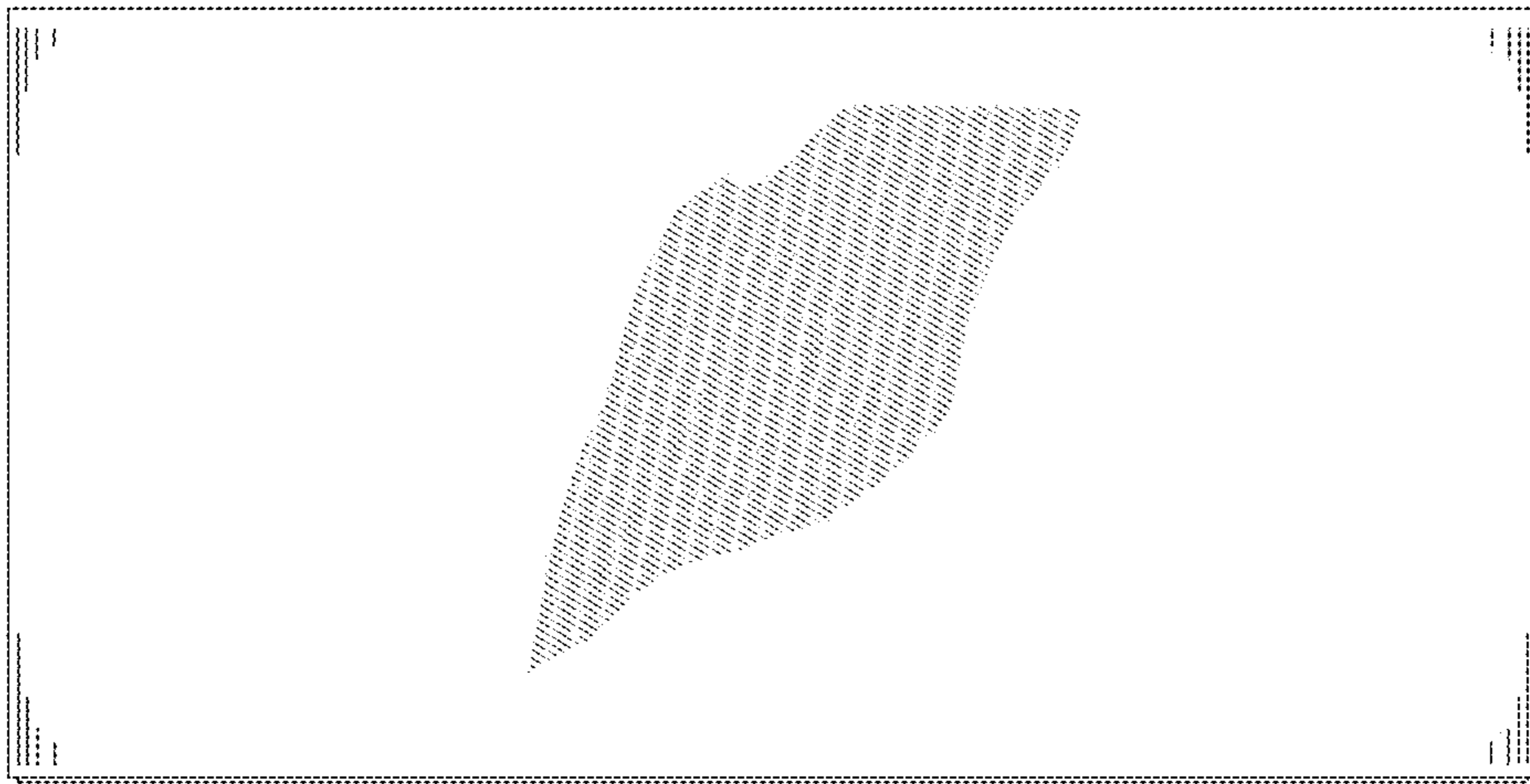


Fig 15

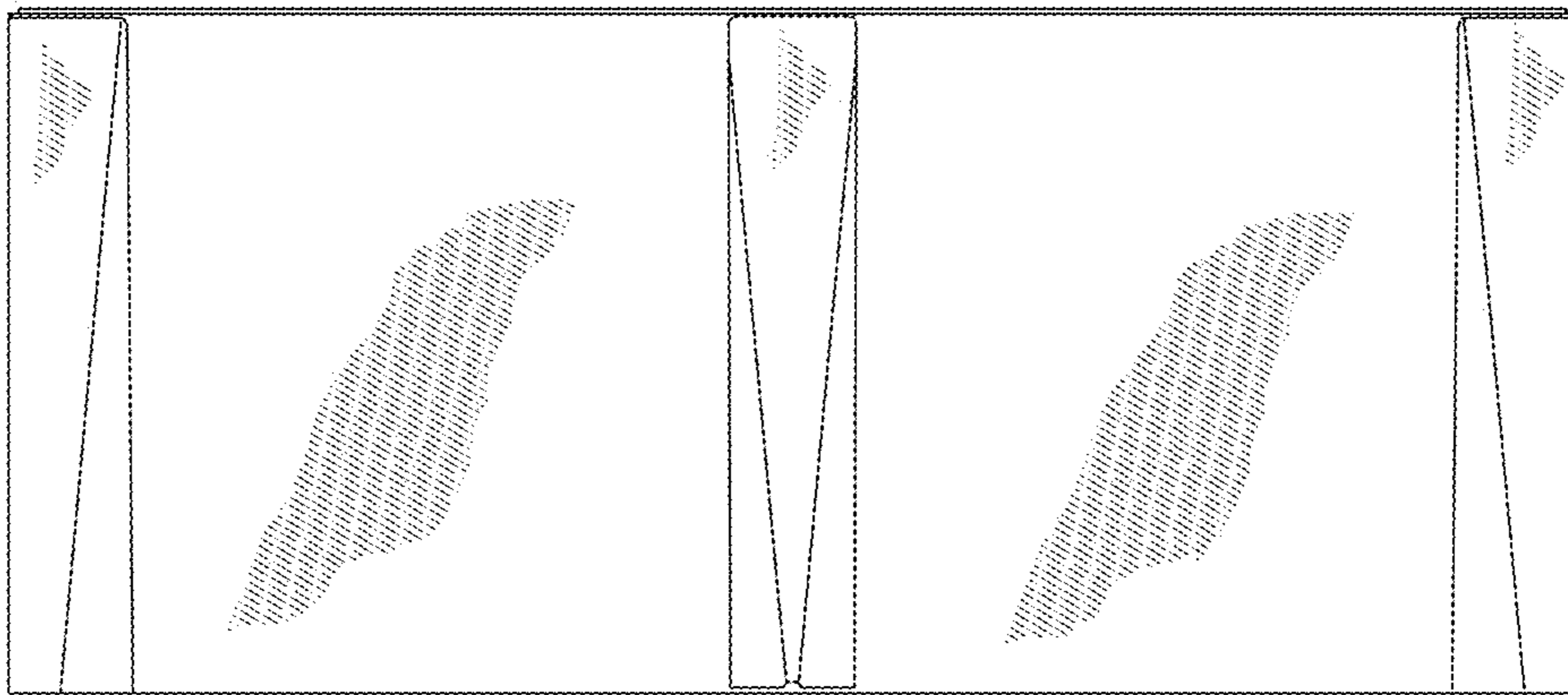


Fig 16

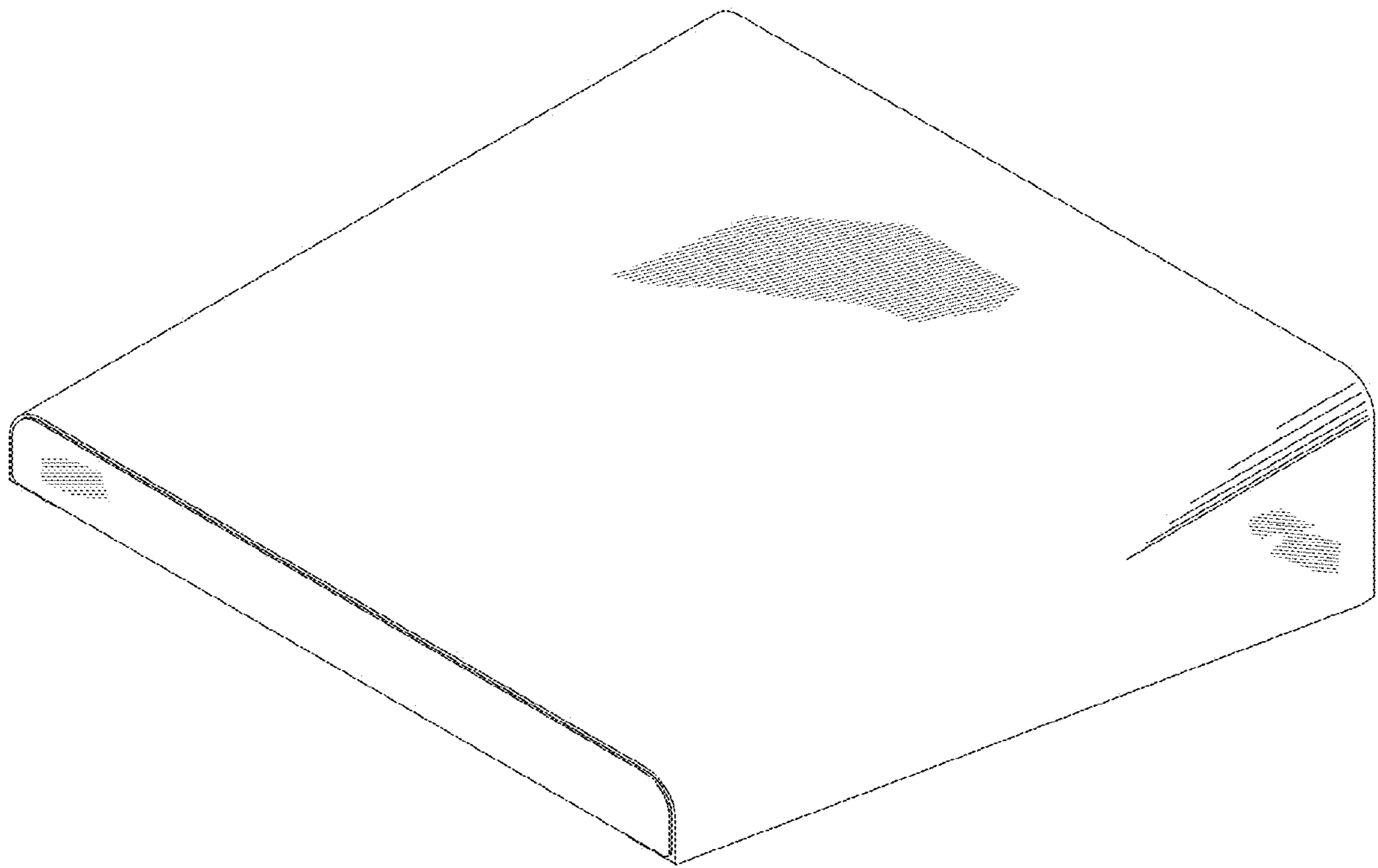


Fig 17

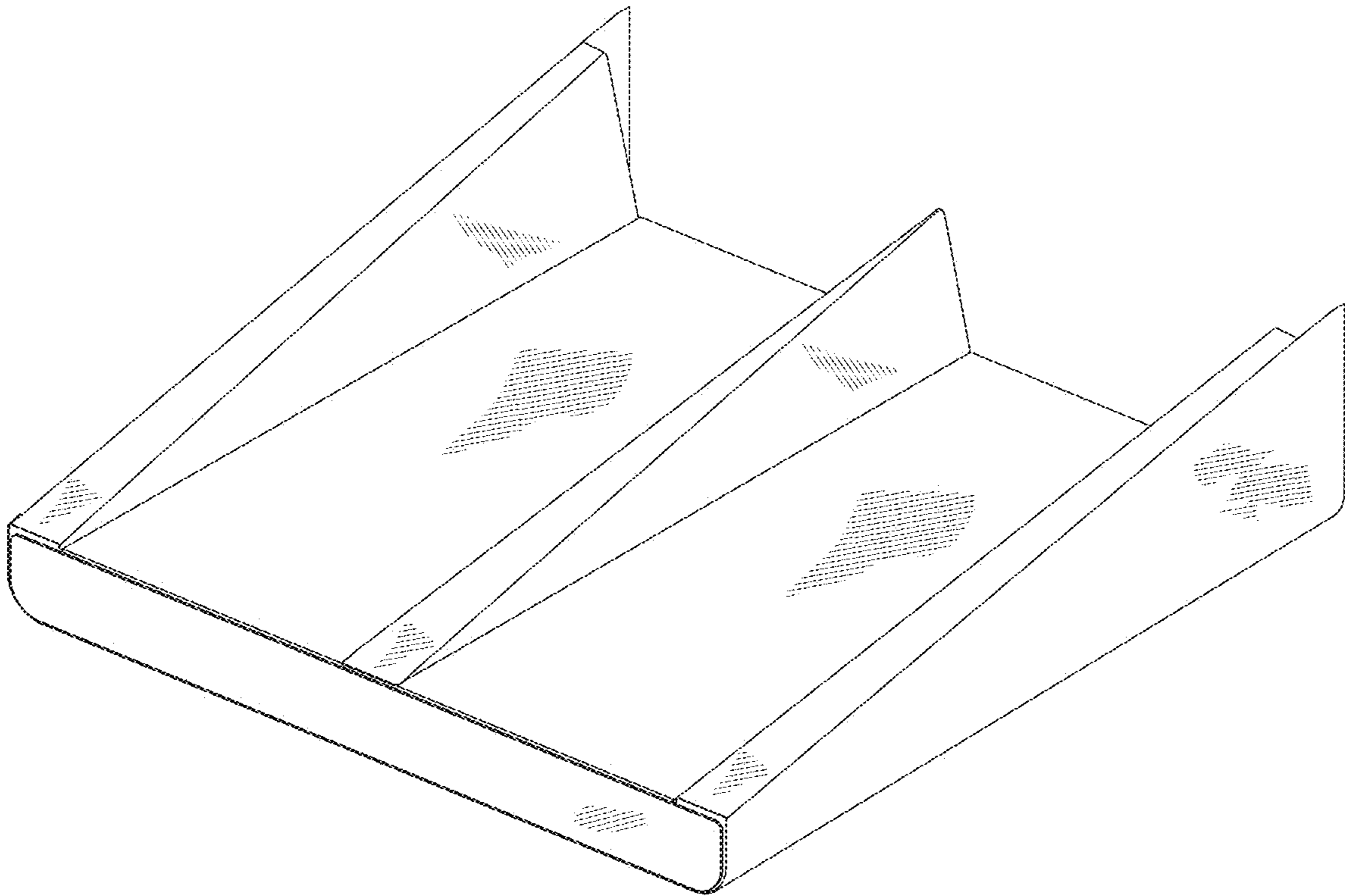


Fig 18

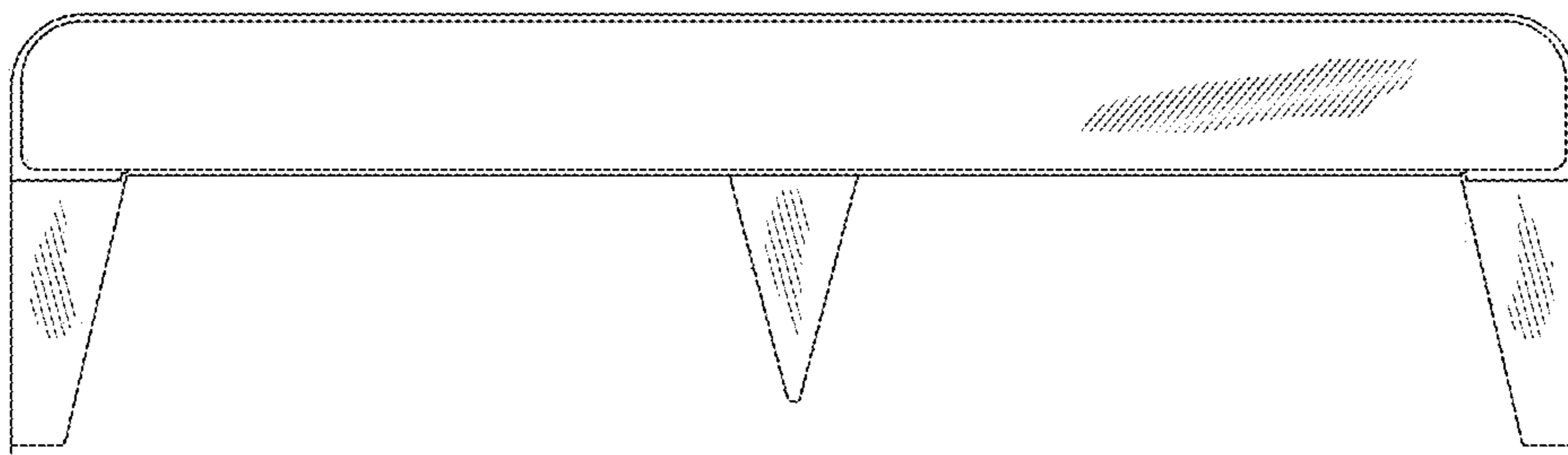


Fig 19

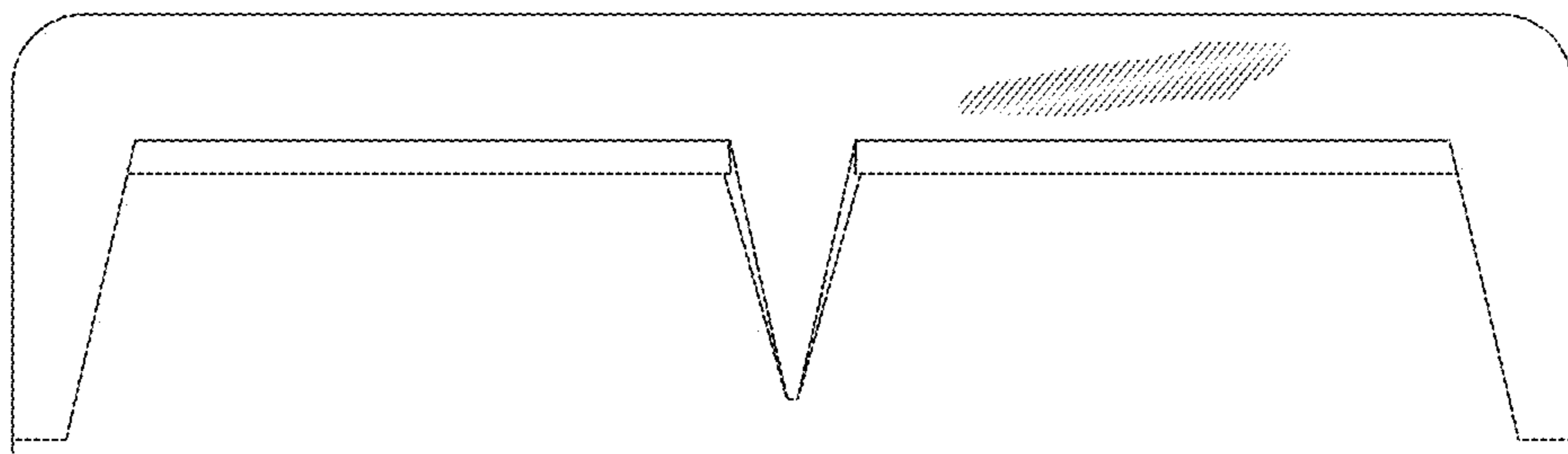


Fig 20

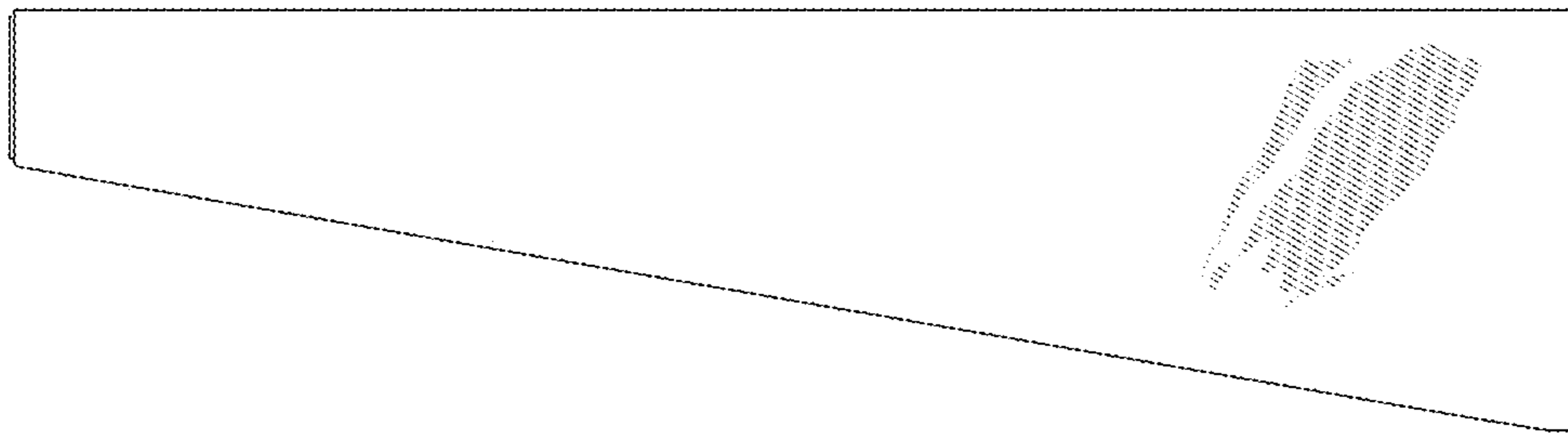


Fig 21

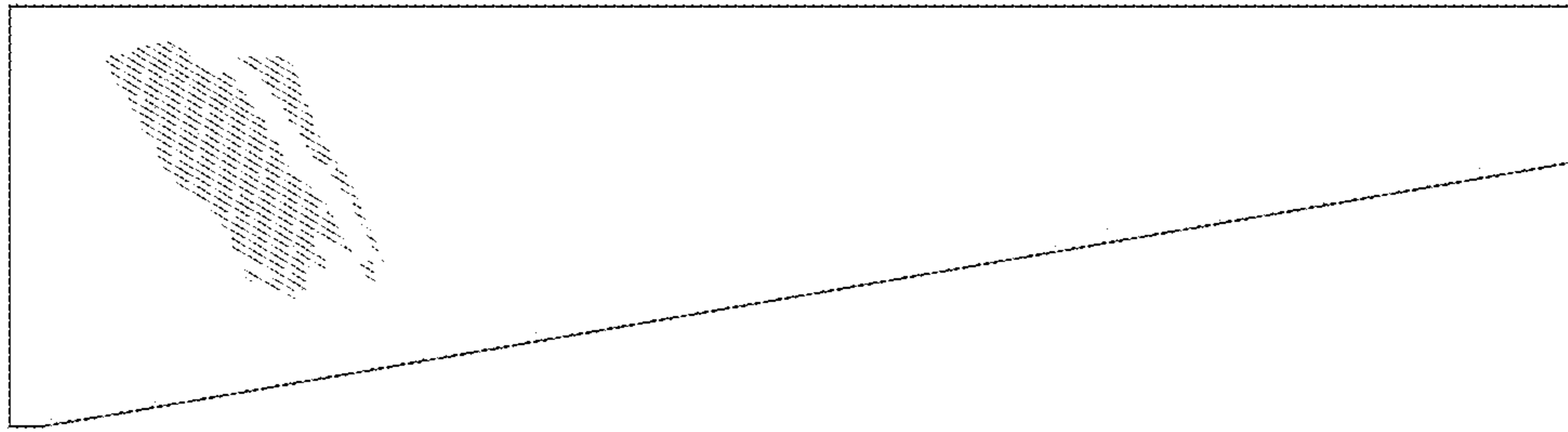


Fig 22

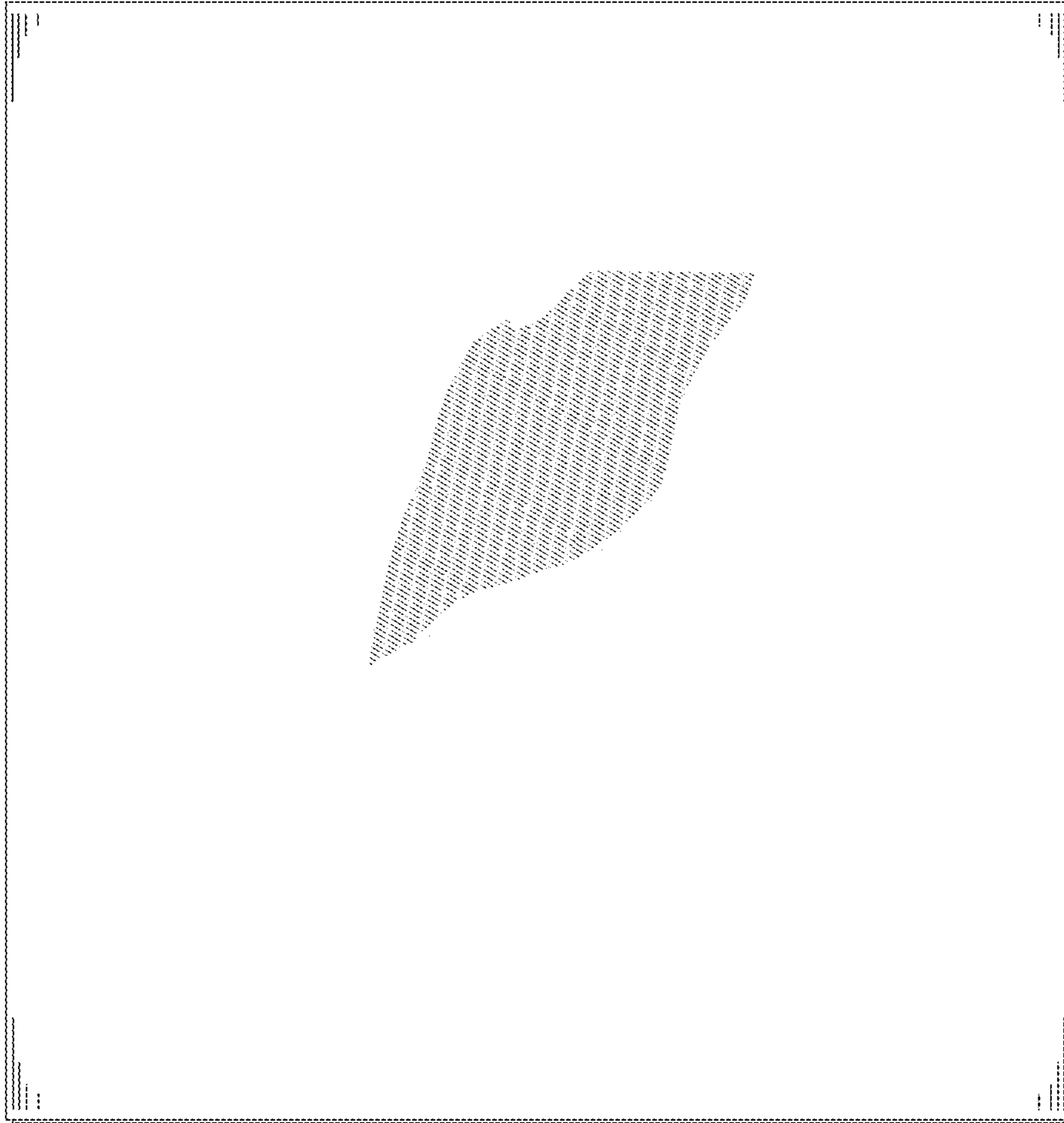


Fig 23

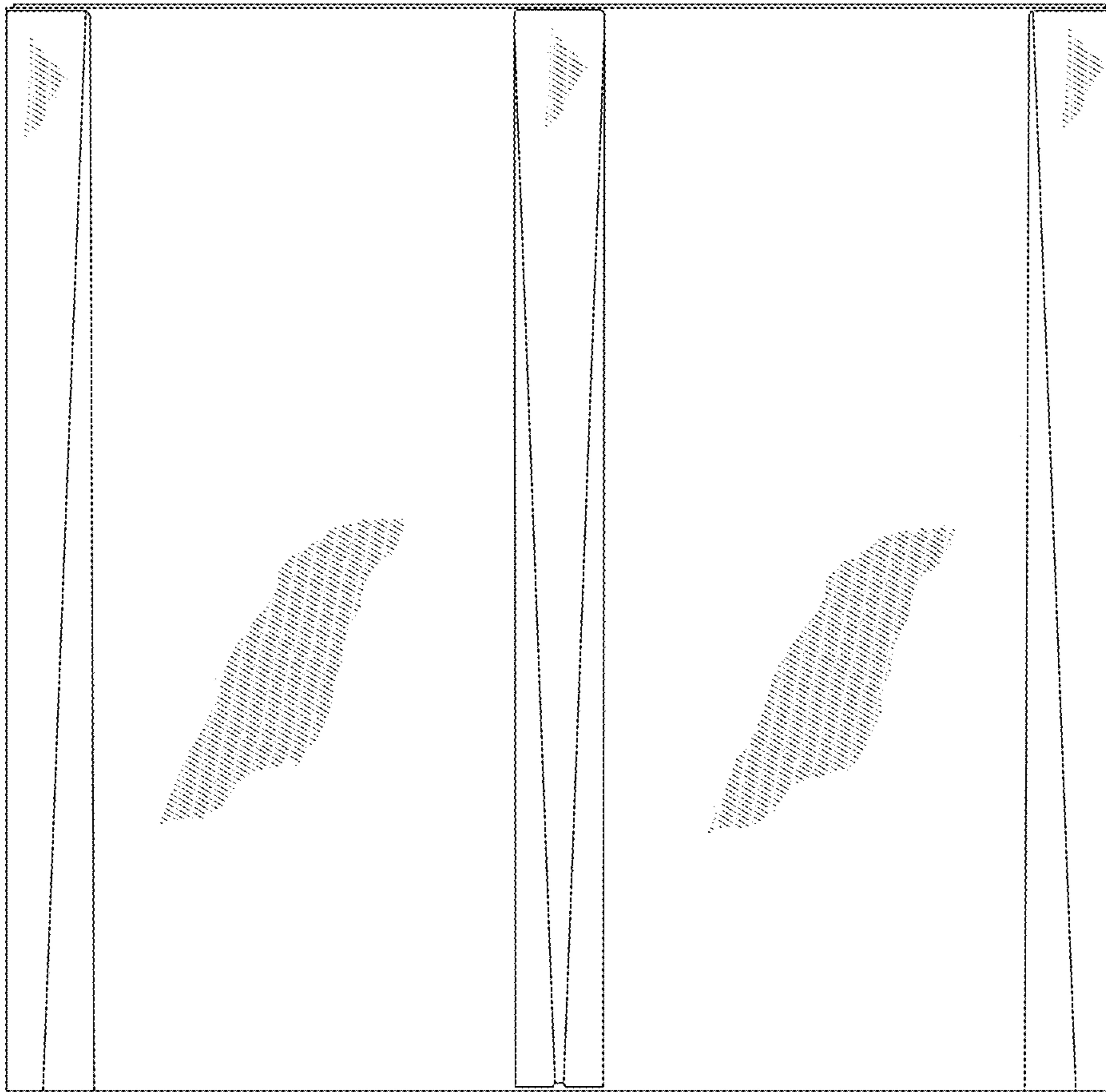


Fig 24

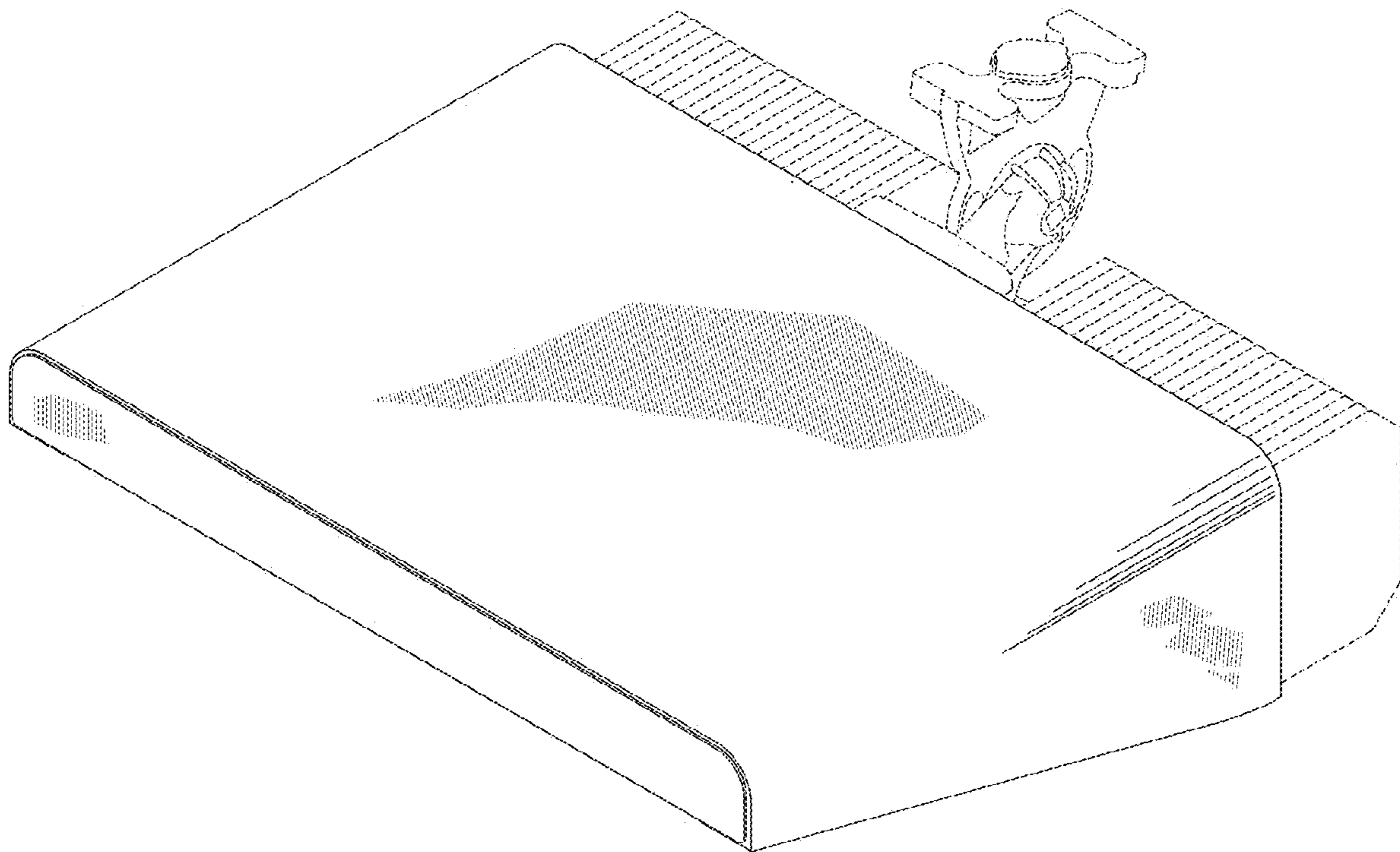


Fig 25

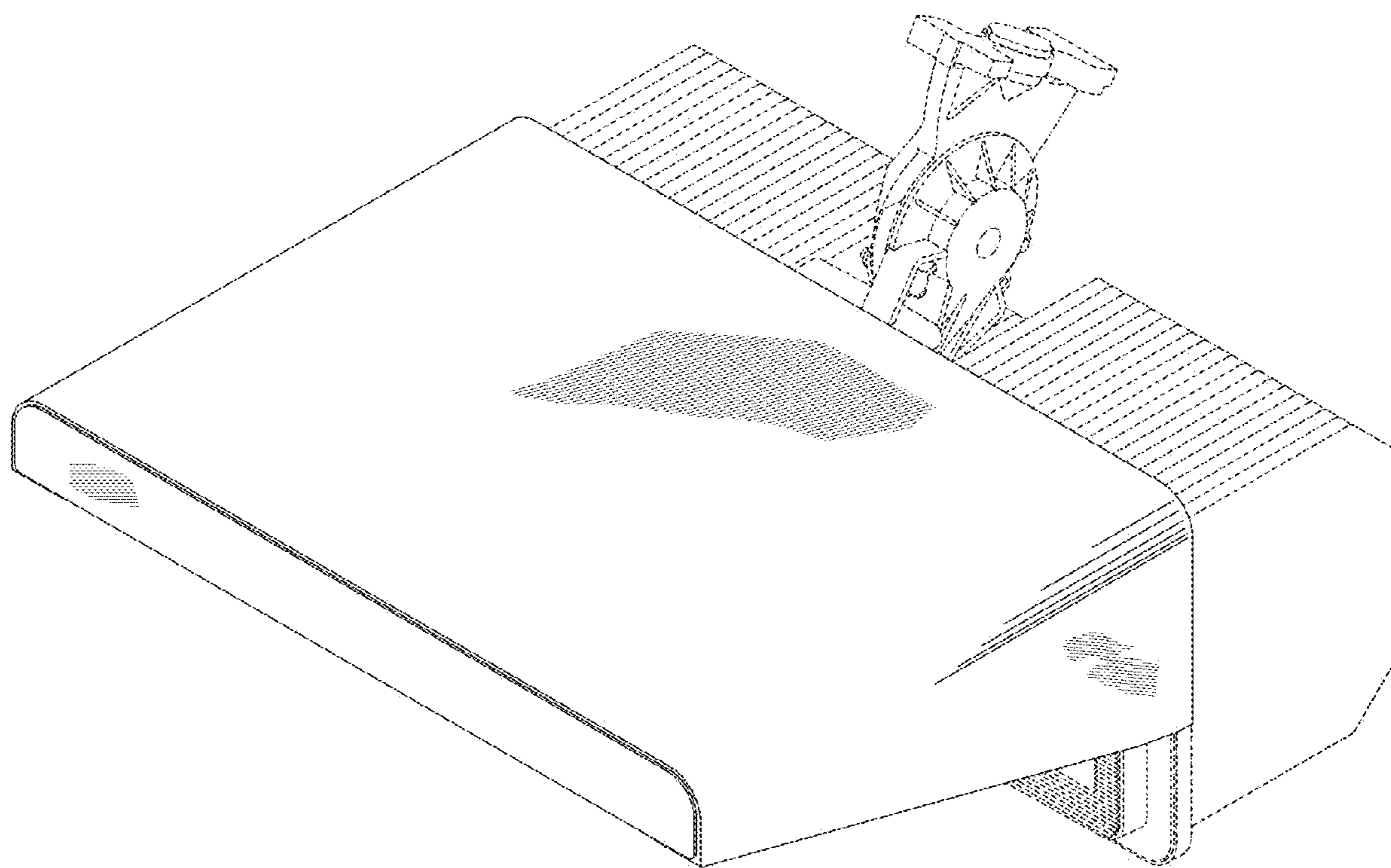


Fig 26