



US00D882859S

(12) **United States Design Patent** (10) **Patent No.:** **US D882,859 S**  
**Ng et al.** (45) **Date of Patent:** **\*\* \*Apr. 28, 2020**

- (54) **LAMP**
- (71) Applicant: **Koncept Technologies, Inc.**, Monrovia, CA (US)
- (72) Inventors: **Kenneth Ng**, Monrovia, CA (US);  
**Edmund Ng**, Monrovia, CA (US)
- (73) Assignee: **KONCEPT TECHNOLOGIES, INC.**, Monrovia, CA (US)

(\*) Notice: This patent is subject to a terminal disclaimer.

(\*\*) Term: **15 Years**

(21) Appl. No.: **29/661,676**

(22) Filed: **Aug. 29, 2018**

(51) **LOC (12) Cl.** ..... **26-05**

(52) **U.S. Cl.**  
USPC ..... **D26/118**

(58) **Field of Classification Search**  
USPC ..... D26/1, 24, 72, 88, 110, 118, 119, 121, D26/138, 155  
CPC ..... F21S 4/10; F21S 4/15; F21S 4/20; F21S 4/24; F21S 4/28; F21S 2/005; F21V 19/00; F21V 1/06; F21Y 2107/40; F21Y 2107/70; F21Y 2103/20  
See application file for complete search history.

(56) **References Cited**

**U.S. PATENT DOCUMENTS**

- 4,079,245 A \* 3/1978 Baker ..... F21S 8/06 362/355
- D265,001 S \* 6/1982 Graham ..... D26/104
- D377,402 S \* 1/1997 Perkins ..... D26/135
- D481,484 S \* 10/2003 Cuevas ..... D26/84
- D539,971 S \* 4/2007 McDowell ..... D26/118
- D548,386 S \* 8/2007 McDowell ..... D26/118
- D548,387 S \* 8/2007 McDowell ..... D26/118

- D569,032 S \* 5/2008 Myer ..... D26/118
- D643,969 S \* 8/2011 Abate ..... D26/118
- D668,371 S \* 10/2012 Alpaslan ..... D26/72
- D686,363 S \* 7/2013 Smith ..... D26/118
- D690,875 S \* 10/2013 McKenzie ..... D26/118
- D701,981 S \* 4/2014 Gates ..... D26/24
- D760,420 S \* 6/2016 Tomlinson ..... D26/81
- D768,329 S \* 10/2016 Kern ..... D26/118
- D810,992 S \* 2/2018 Ng ..... D26/90
- D821,024 S \* 6/2018 Tomlinson ..... D26/138
- D837,435 S \* 1/2019 Richardson ..... D26/82
- D844,888 S \* 4/2019 Green ..... H05B 37/029 D26/110
- D847,411 S \* 4/2019 Katterheinrich ..... D26/138
- 2006/0034088 A1 \* 2/2006 Lin ..... F21V 1/06 362/382

(Continued)

*Primary Examiner* — Wan Laymon

*Assistant Examiner* — Clint A Samuel

(74) *Attorney, Agent, or Firm* — Steins & Associates, P.C.

(57) **CLAIM**

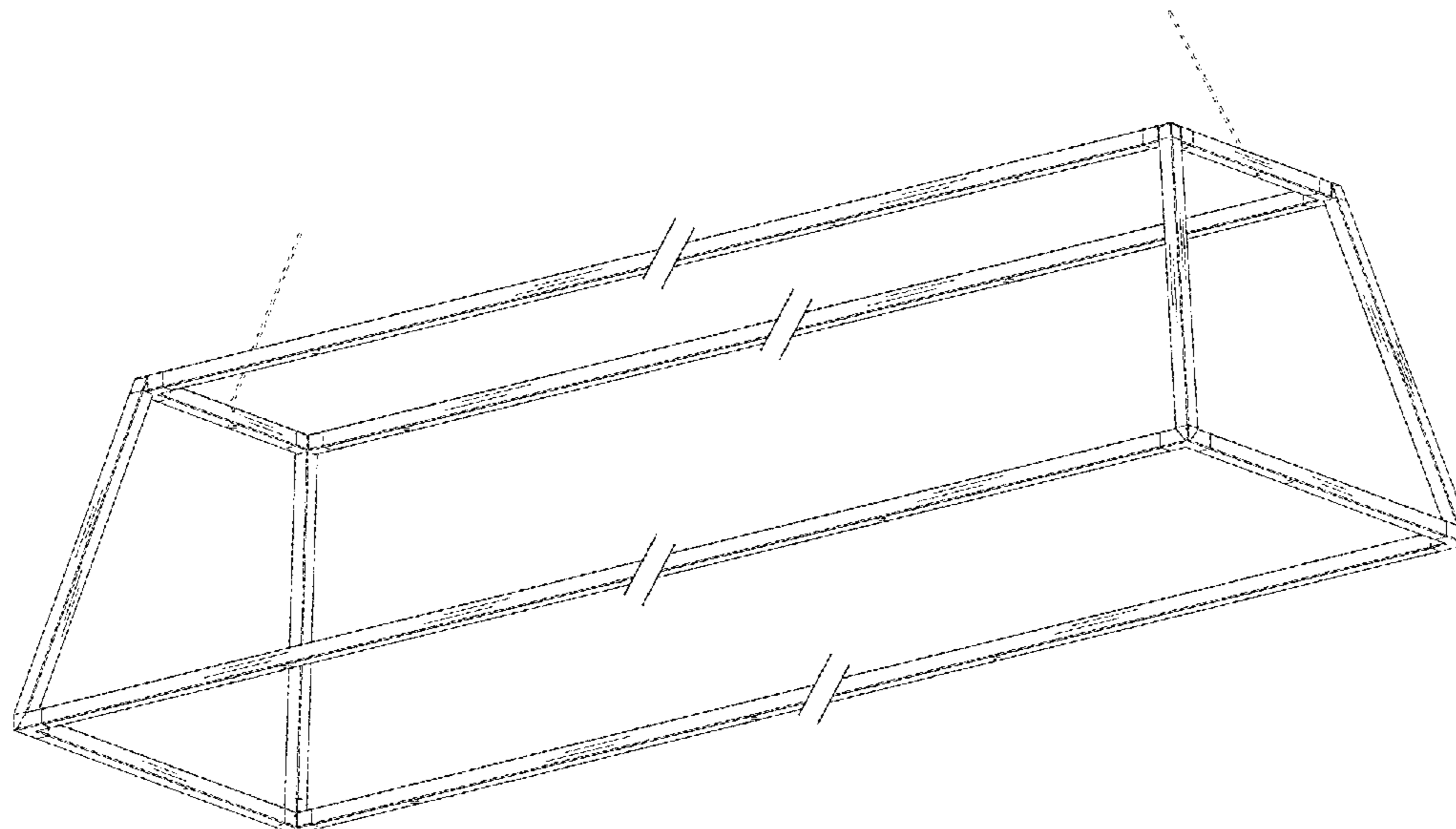
What is claimed is the ornamental design for a lamp, as shown and described.

**DESCRIPTION**

FIG. 1 is a bottom perspective view of the lamp;  
FIG. 2 is a front view of the lamp;  
FIG. 3 is a back view of the lamp;  
FIG. 4 is a right side view of the lamp;  
FIG. 5 is a left side view of the lamp;  
FIG. 6 is a top view of the lamp; and,  
FIG. 7 is a bottom view of the lamp.

The portions of the lamp shown in broken lines form no part of the claimed design. The lamp is shown with symbolic breaks in its length. The appearance of any portion of the article between the break lines form no part of the claimed design. The portions of the lamp shown as broken lines is for illustrative purposes only and forms no part of the claimed design.

**1 Claim, 7 Drawing Sheets**



(56)

**References Cited**

U.S. PATENT DOCUMENTS

2006/0056189 A1\* 3/2006 Lin ..... F21V 1/06  
362/382

\* cited by examiner

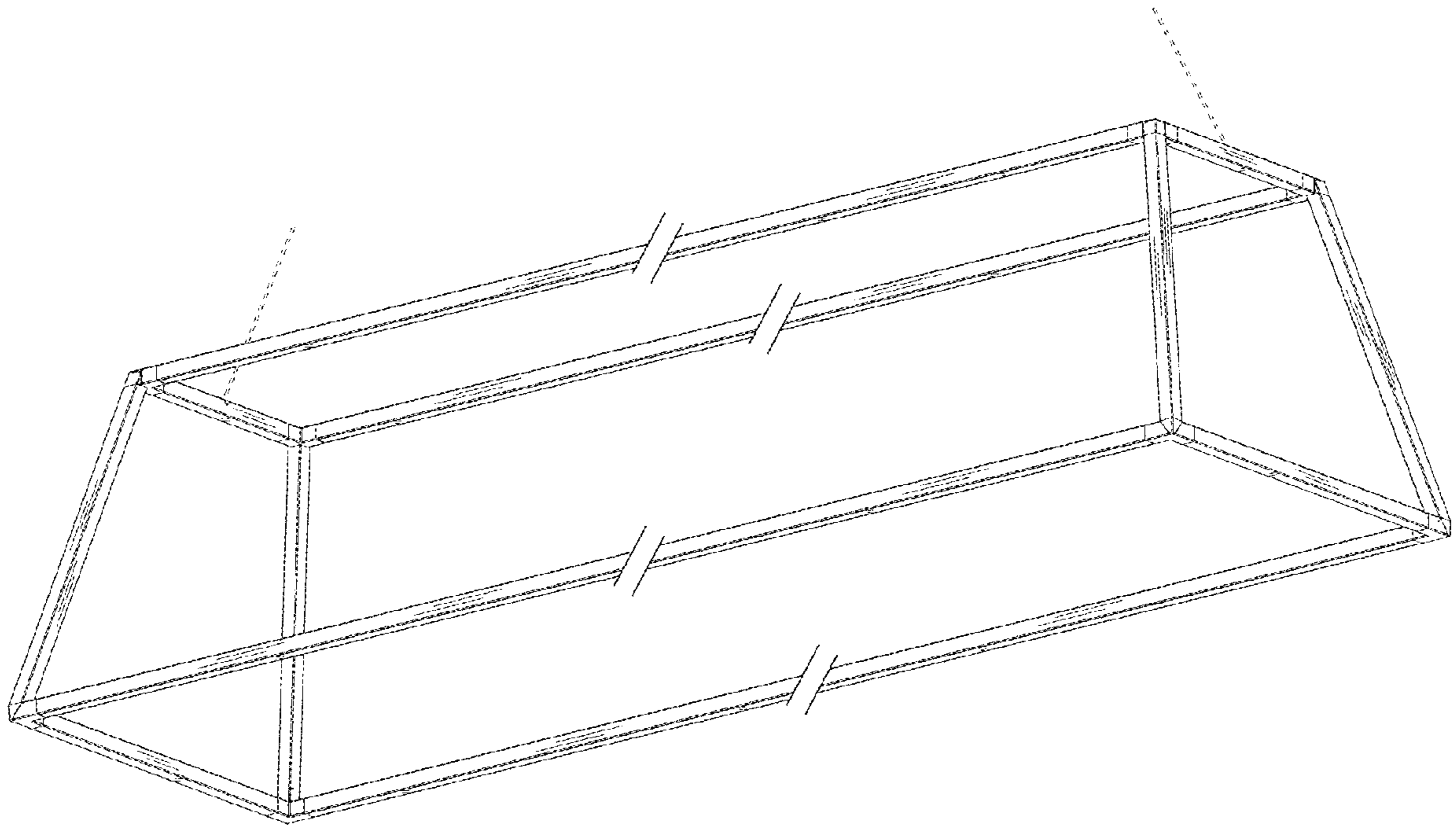


FIG. 1

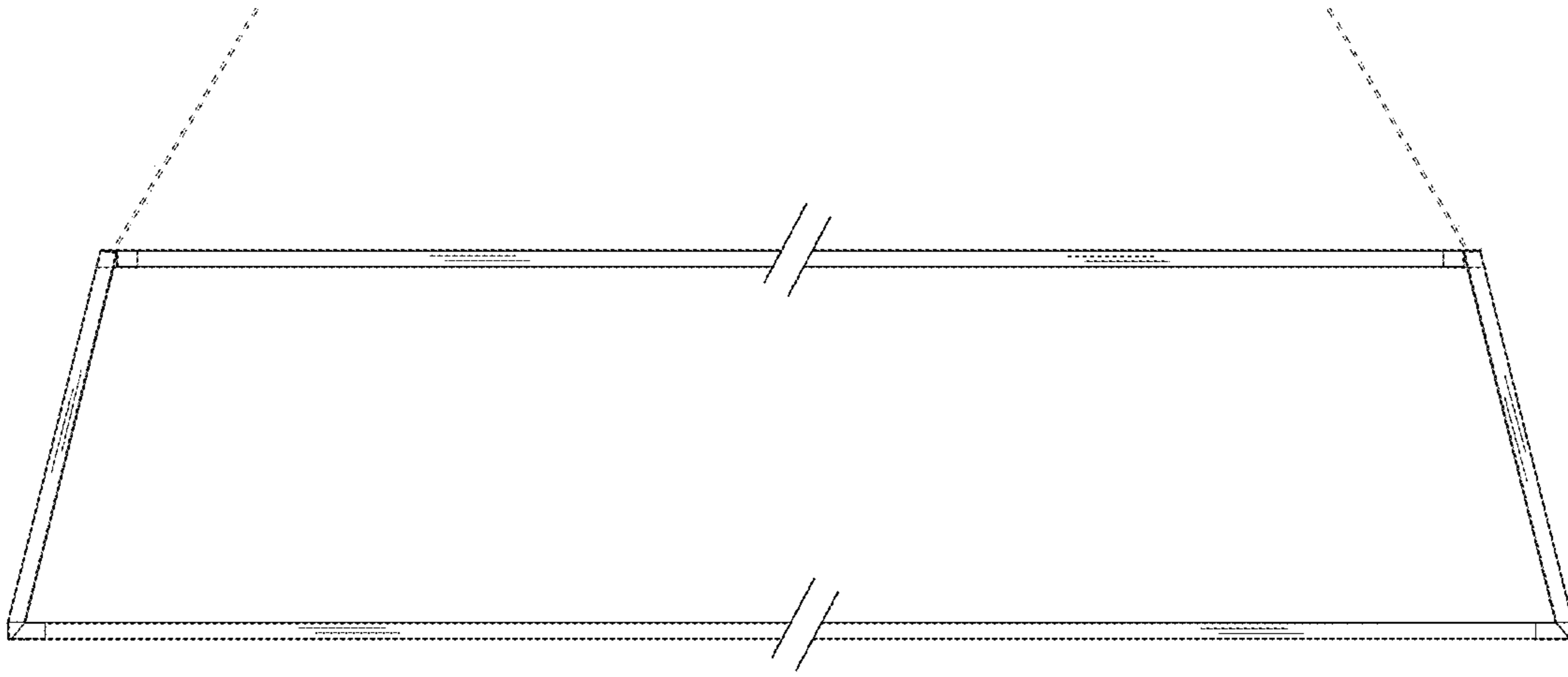


FIG. 2

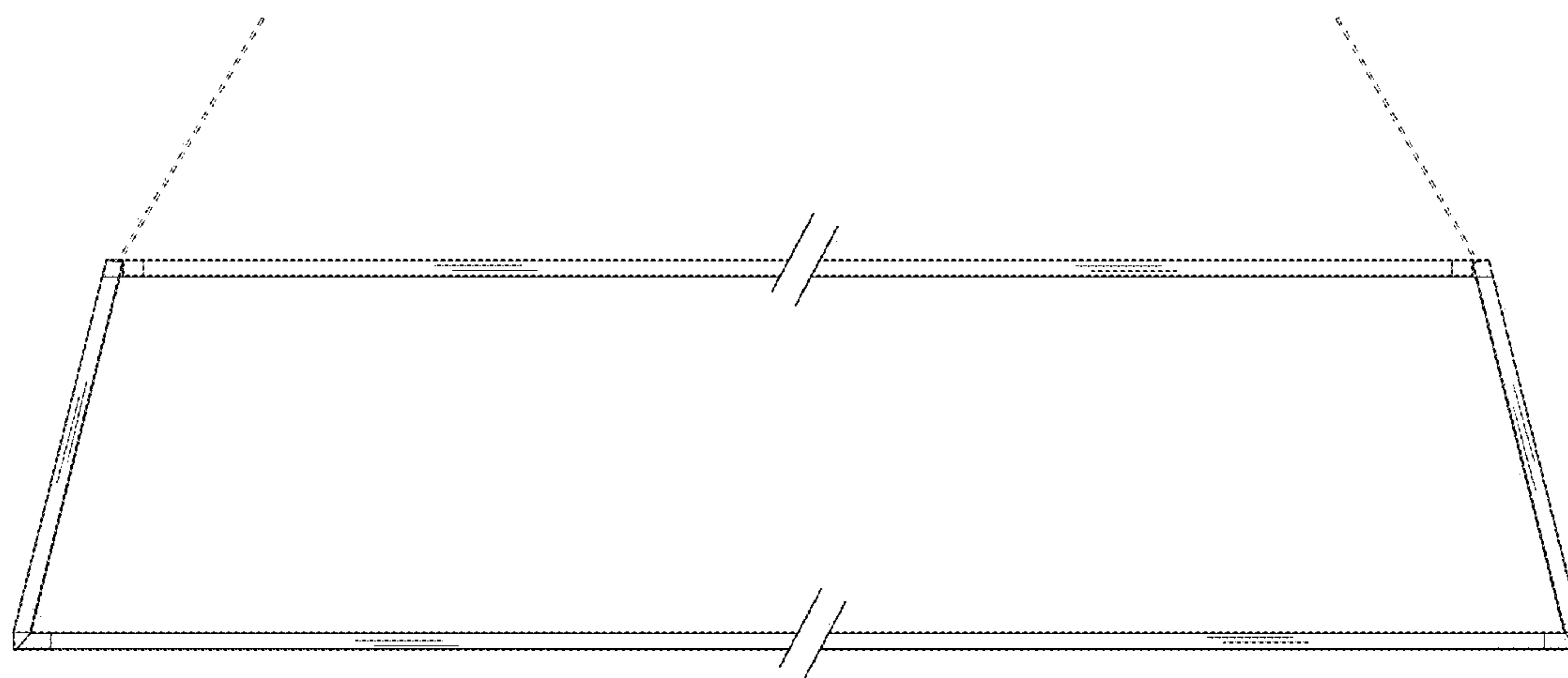


FIG. 3

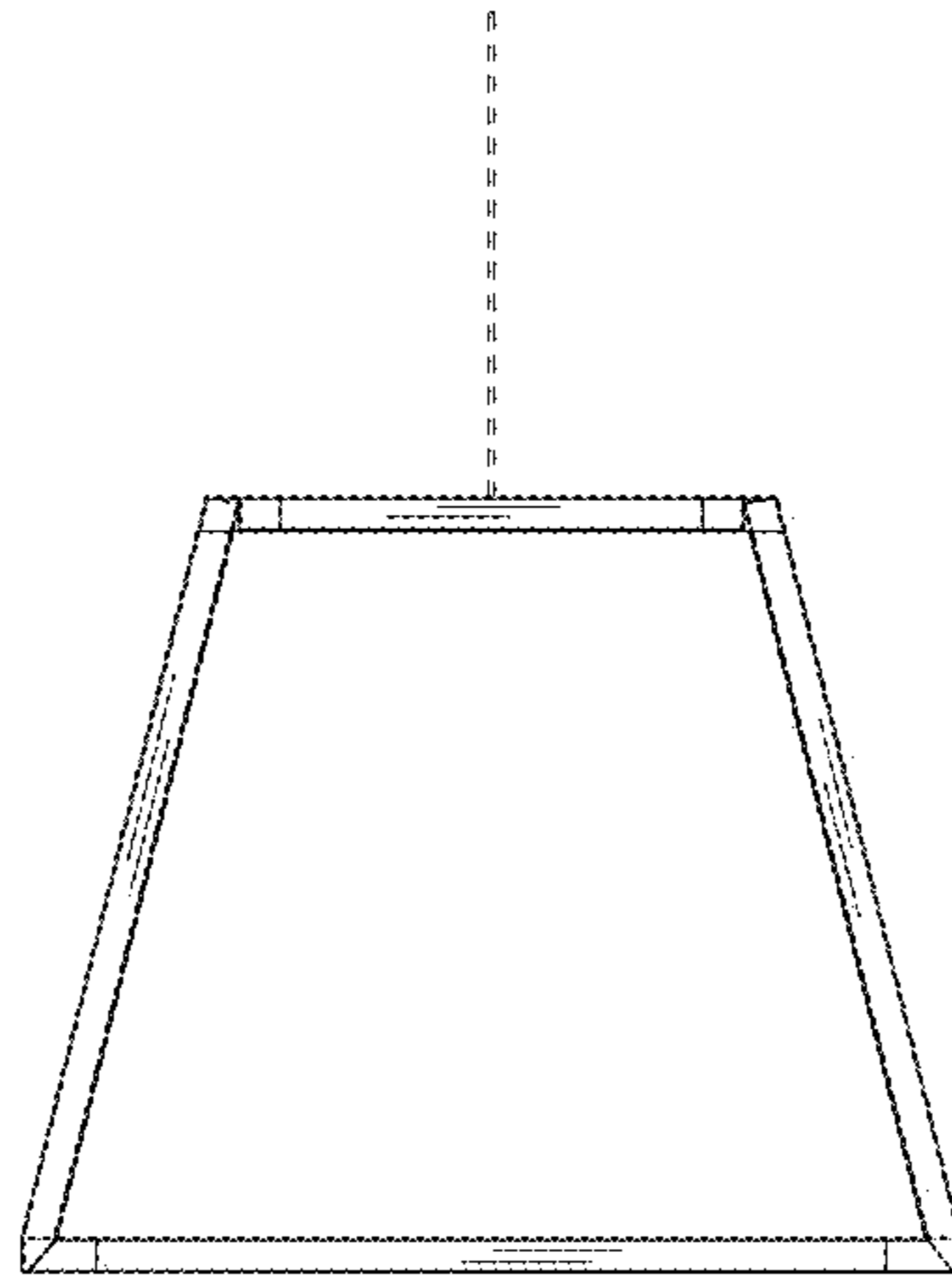


FIG. 4

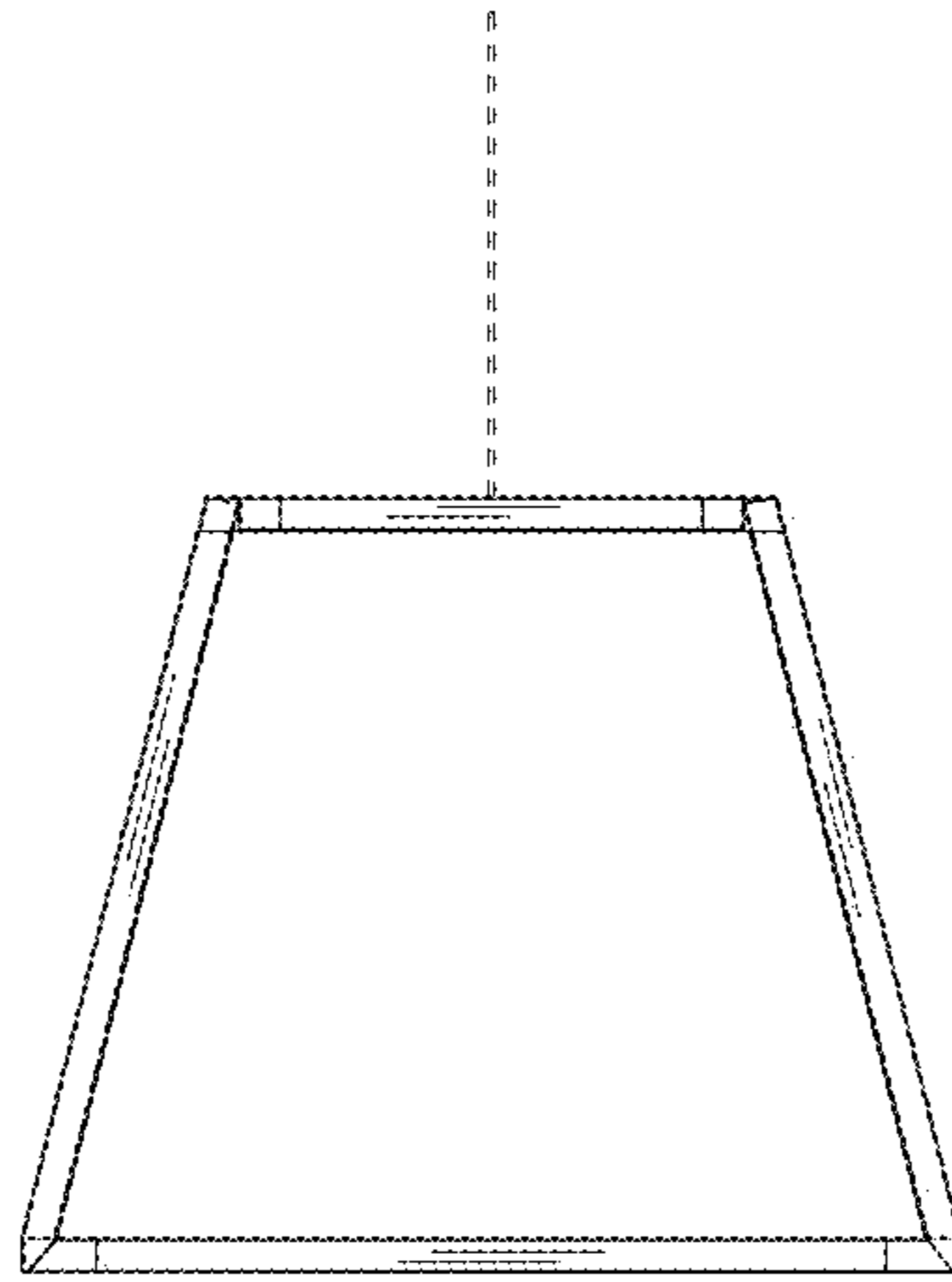


FIG. 5

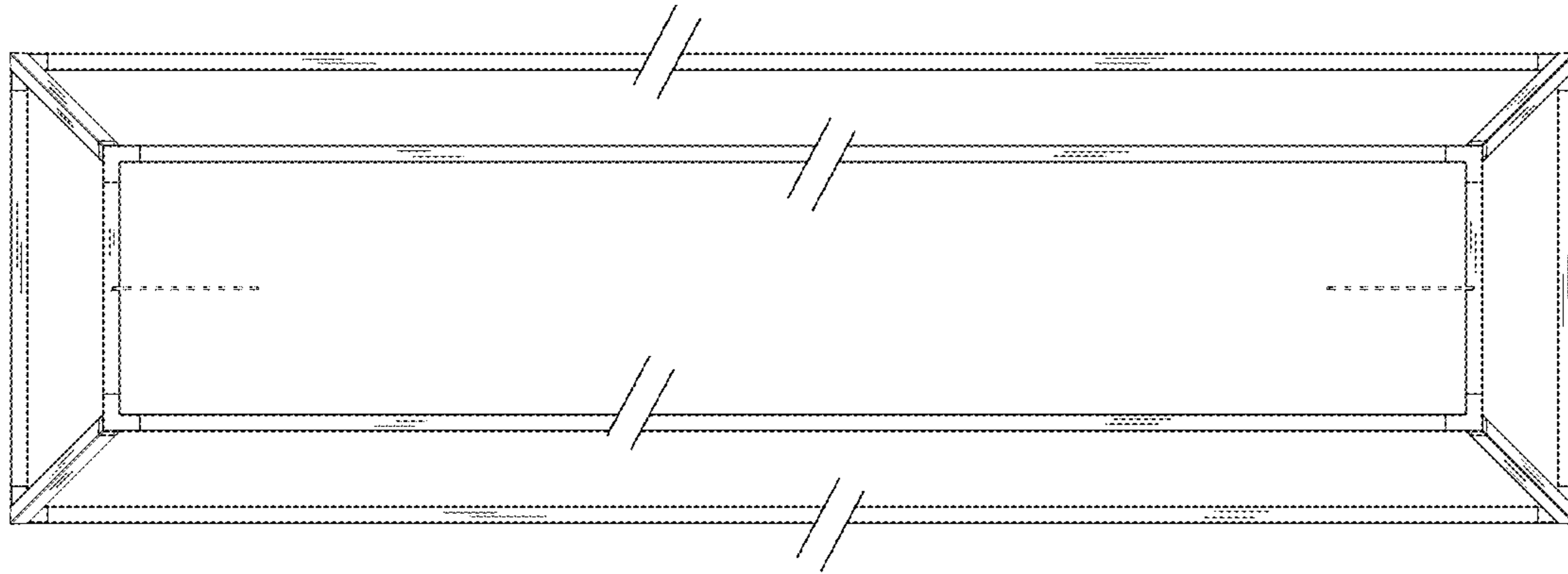


FIG. 6



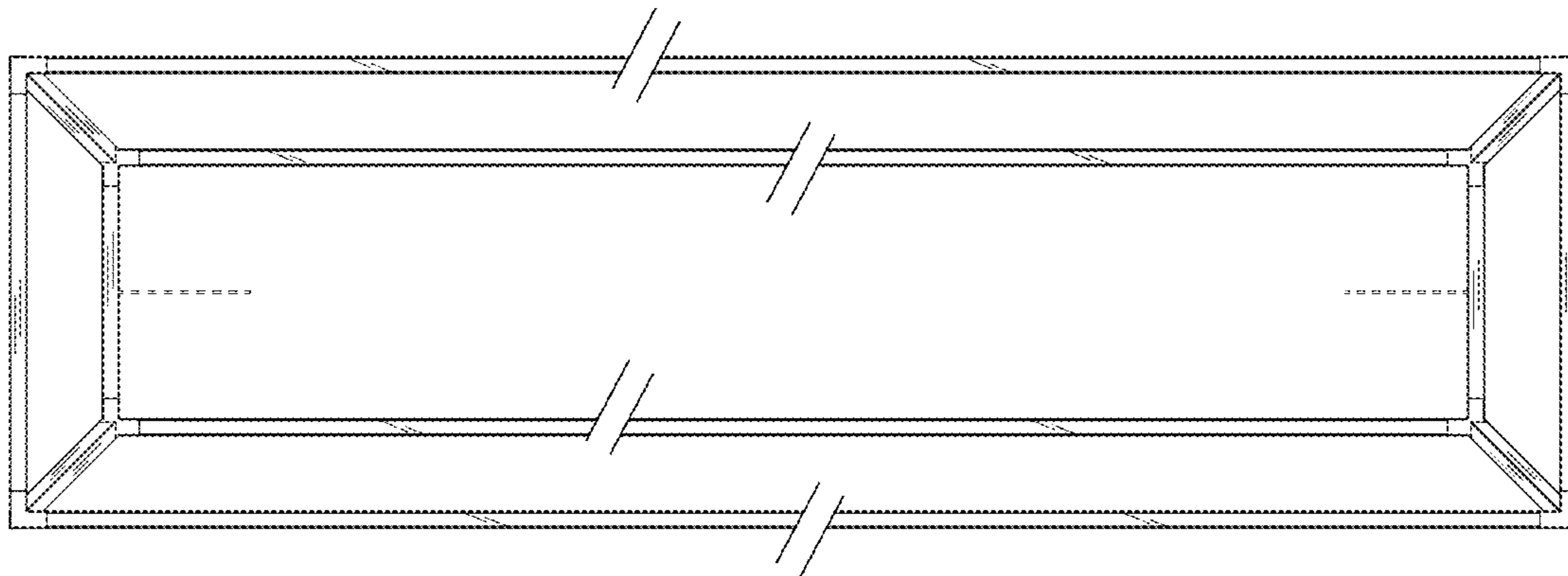


FIG. 7