



US00D882858S

(12) **United States Design Patent** (10) **Patent No.:** **US D882,858 S**
Sun (45) **Date of Patent:** **** *Apr. 28, 2020**

(54) **TABLE LAMP**

(71) Applicant: **Shenzhen Man Jia Electronic Technology Co., Ltd., Shenzhen (CN)**

(72) Inventor: **Honggang Sun, Ji'an (CN)**

(*) Notice: This patent is subject to a terminal disclaimer.

(**) Term: **15 Years**

(21) Appl. No.: **29/664,184**

(22) Filed: **Sep. 22, 2018**

(51) **LOC (12) Cl.** **26-05**

(52) **U.S. Cl.**
USPC **D26/107**

(58) **Field of Classification Search**
USPC ... D26/1, 22, 24, 61, 62, 63, 65, 71, 89, 93,
D26/104, 105, 106, 107, 108, 109, 110,
D26/113

CPC .. F21V 33/0024; F21V 33/0048; F21V 21/00;
F21V 21/02; F21V 21/26; F21V 21/30;
F21S 8/08; F21S 8/003; F21S 8/043;
F21S 6/00; F21S 6/043; F31W 2131/30;
F31W 2131/301; F31W 2131/402

See application file for complete search history.

(56) **References Cited**

U.S. PATENT DOCUMENTS

D203,863 S * 2/1966 Neumann D26/107
D308,730 S * 6/1990 Nakagawa D26/107
D325,997 S * 5/1992 Dieperink D26/107
D450,408 S * 11/2001 Wang D26/109

D521,671 S * 5/2006 Chen D26/65
D539,970 S * 4/2007 Waldmann D26/107
D639,489 S * 6/2011 Huang D26/93
D661,009 S * 5/2012 Bennett D26/93
D673,715 S * 1/2013 Huang D26/93
D728,845 S * 5/2015 Huang D26/107
D753,861 S * 4/2016 Yong Joon D26/63
D760,415 S * 6/2016 Chen D26/71
D785,232 S * 4/2017 Qin D26/107
D790,750 S * 6/2017 Xiao D26/107
D809,187 S * 1/2018 Dai D26/107
D824,580 S * 7/2018 Hu D26/107
D825,823 S * 8/2018 Ren D26/107
D838,886 S * 1/2019 Chen D26/52

* cited by examiner

Primary Examiner — Wan Laymon

Assistant Examiner — Clint A Samuel

(74) *Attorney, Agent, or Firm* — Erson IP (Nelson IP)

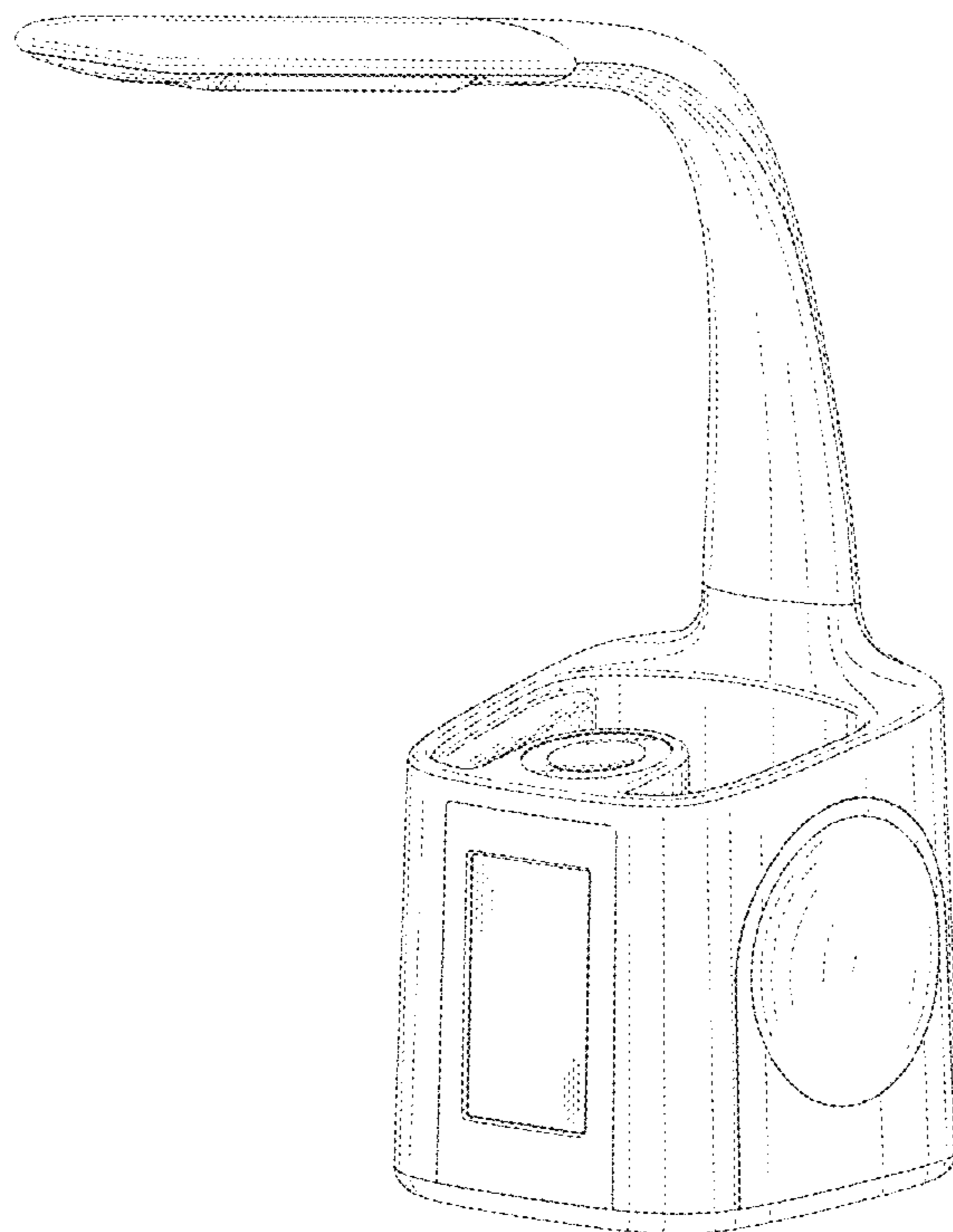
(57) **CLAIM**

The ornamental design for a table lamp, as shown and described.

DESCRIPTION

FIG. 1 is a perspective view of a table lamp showing my new design;
FIG. 2 is another perspective view thereof;
FIG. 3 is a front view thereof;
FIG. 4 is a rear view thereof;
FIG. 5 is a left side view thereof;
FIG. 6 is a right side view thereof;
FIG. 7 is a top plan view thereof; and,
FIG. 8 is a bottom plan view thereof.

1 Claim, 8 Drawing Sheets



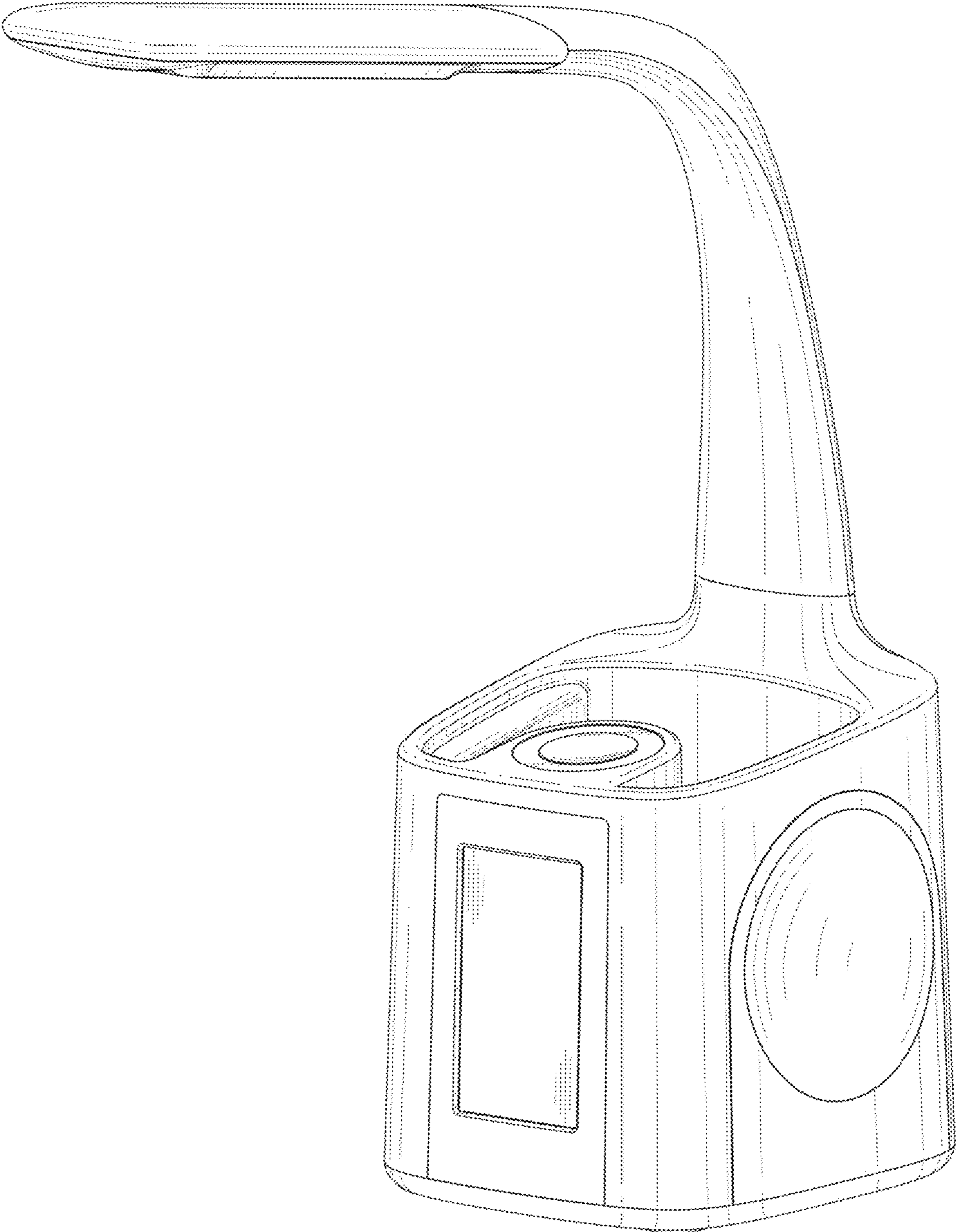


Fig. 1

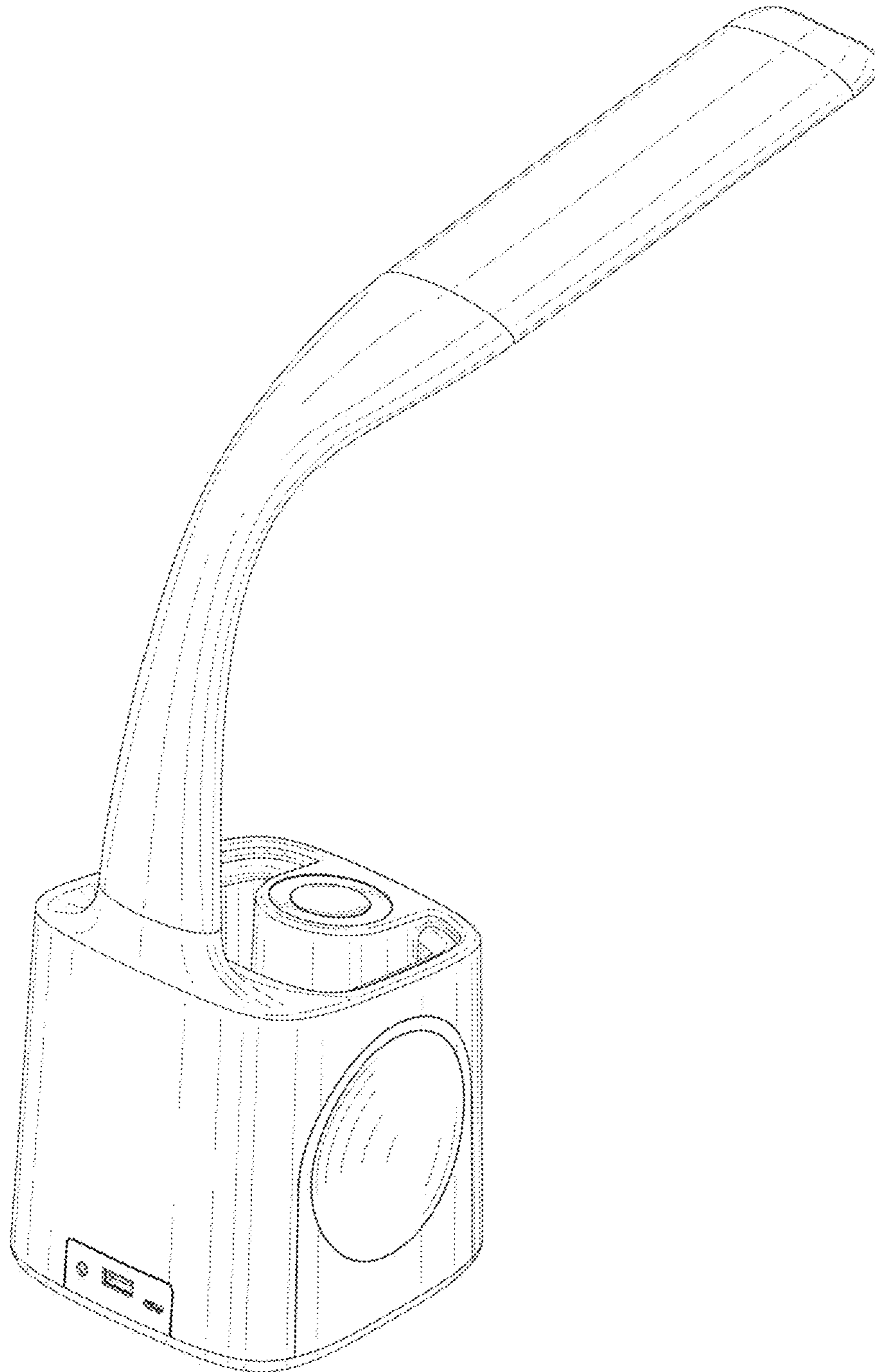


Fig. 2

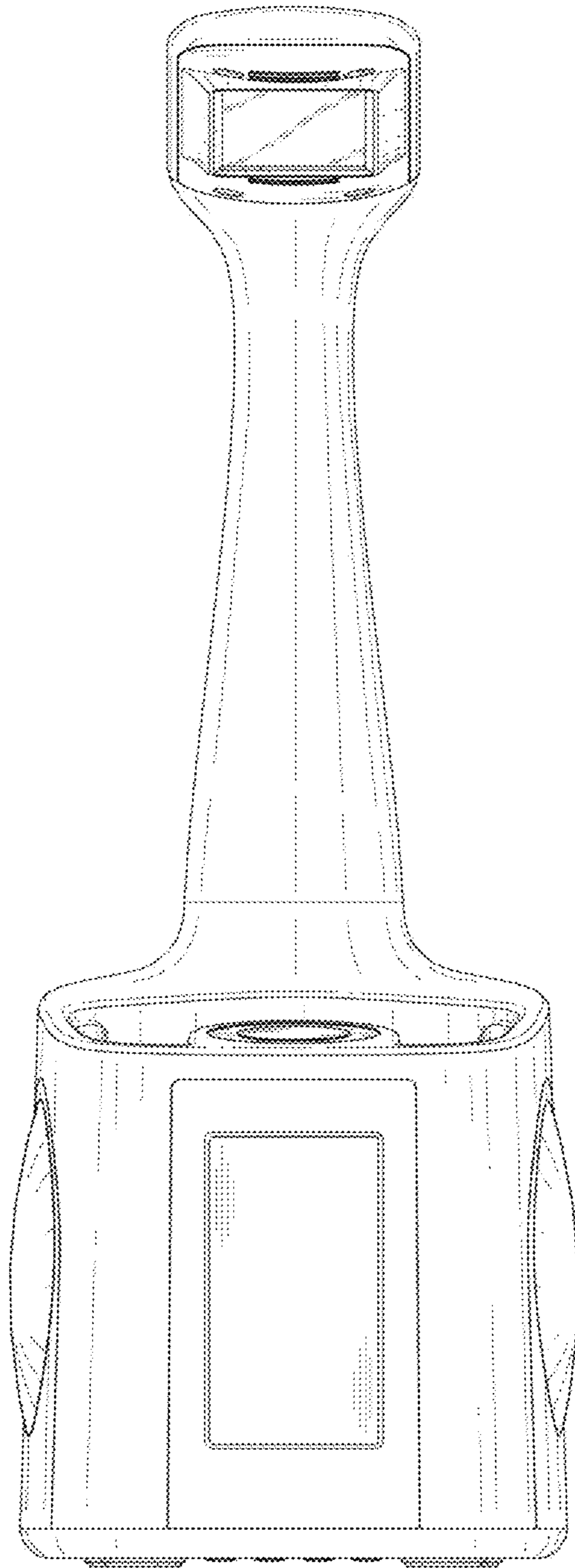


Fig. 3

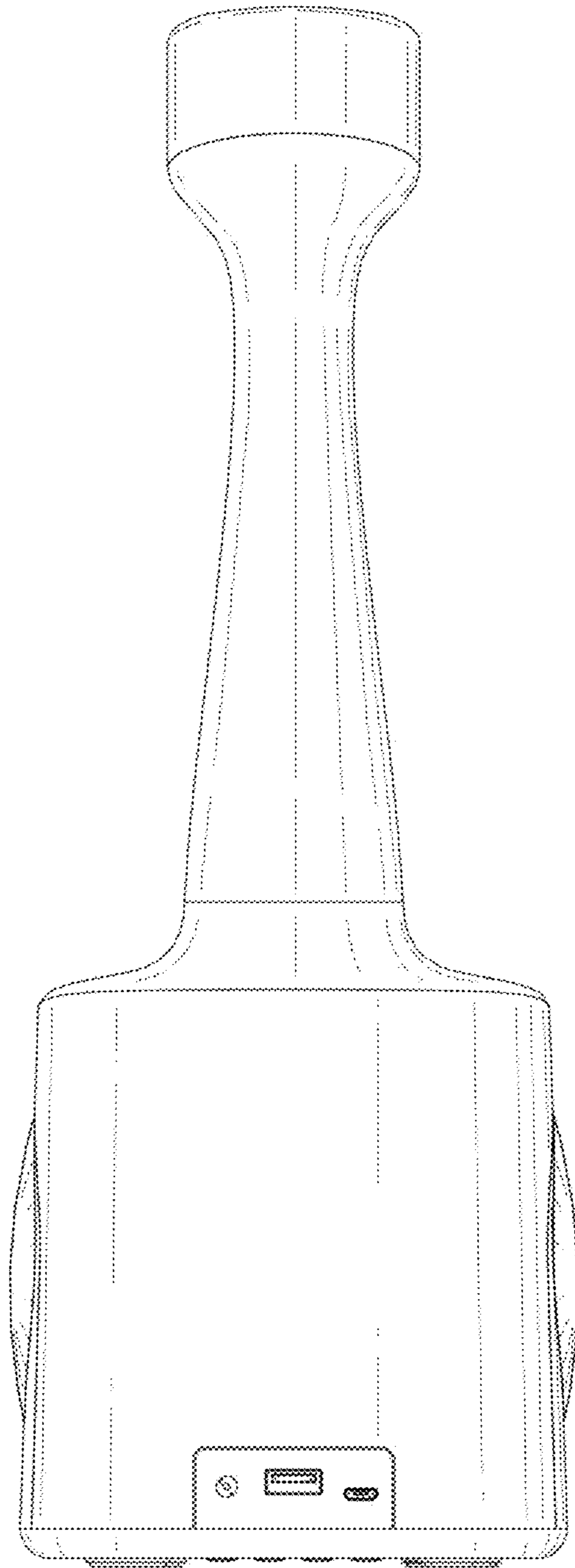


Fig. 4

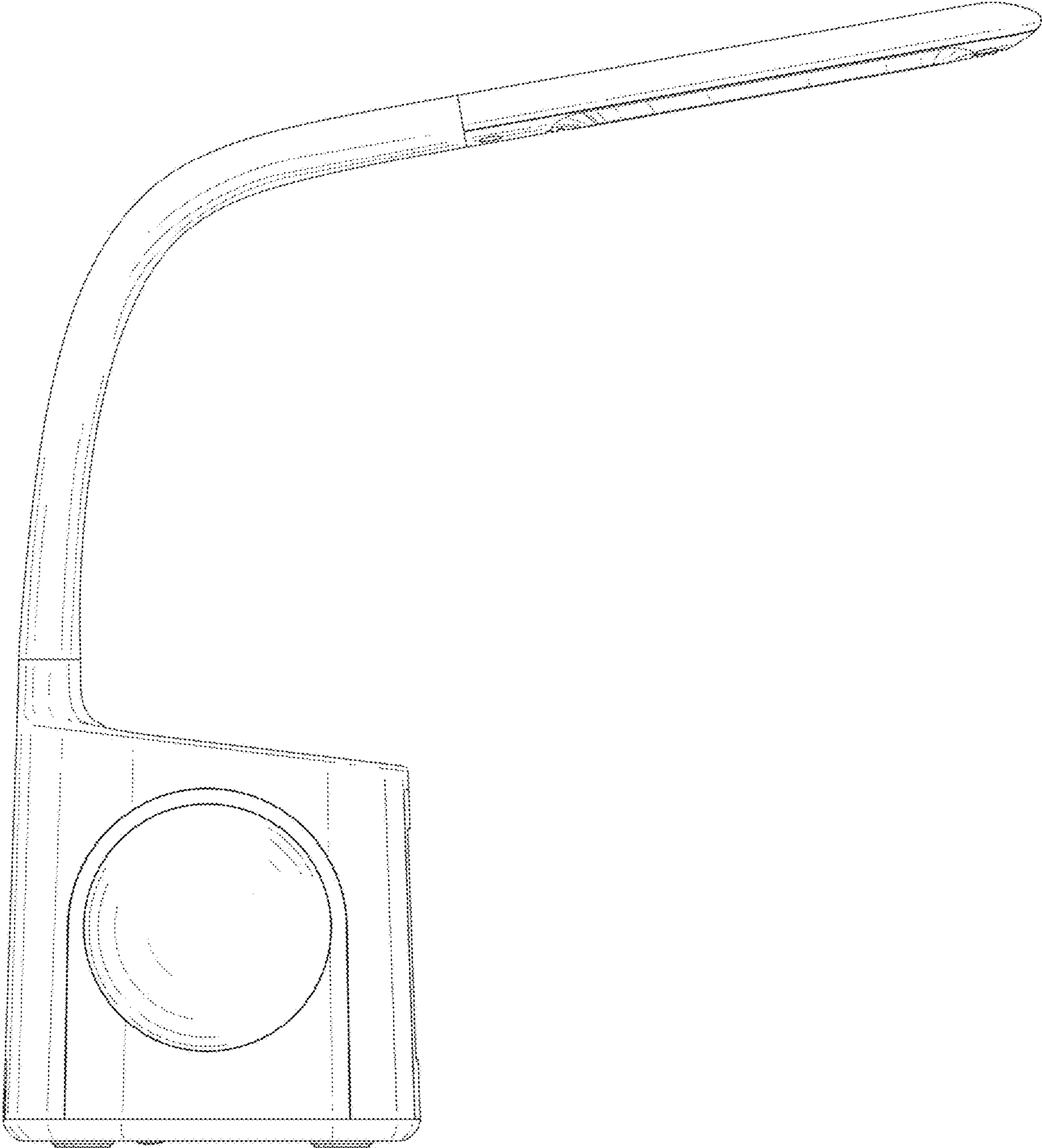


Fig. 5

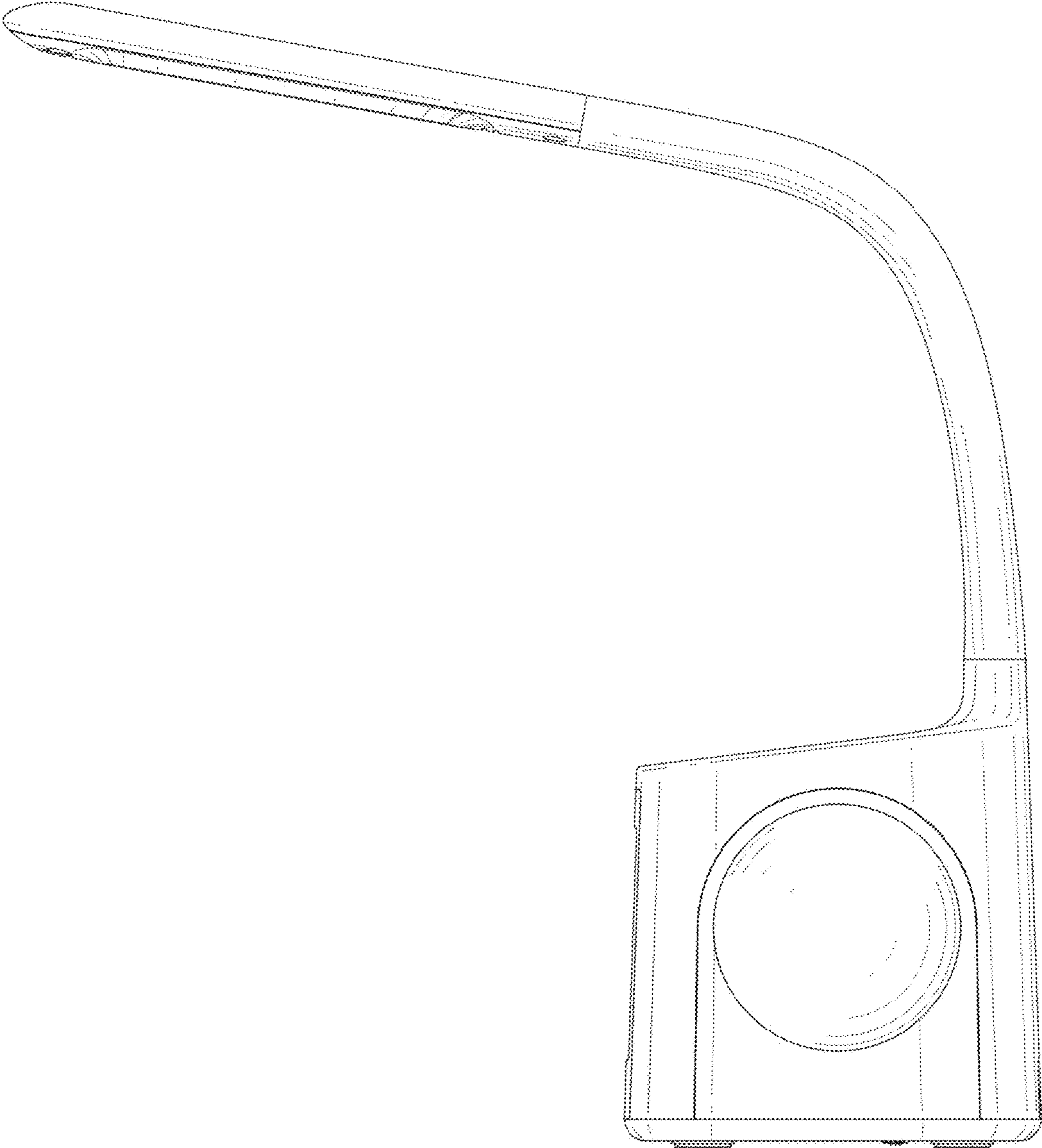


Fig. 6

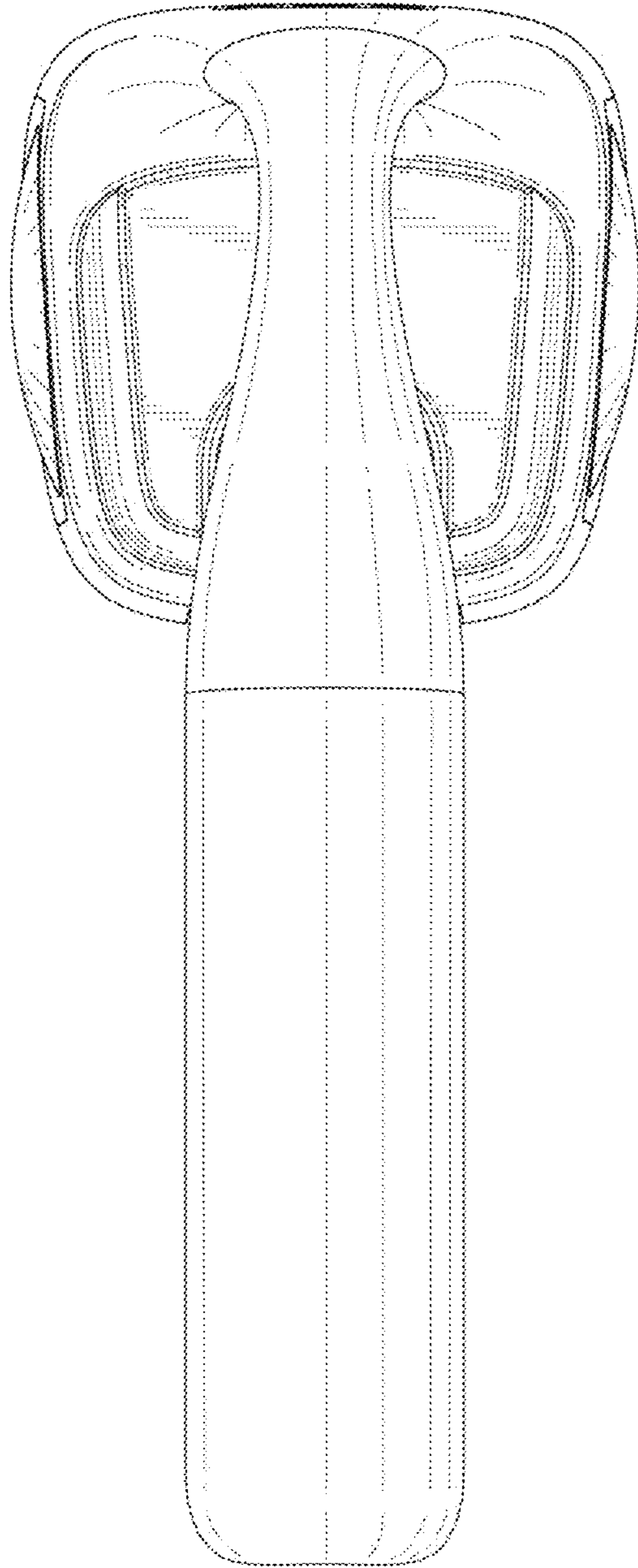


Fig. 7

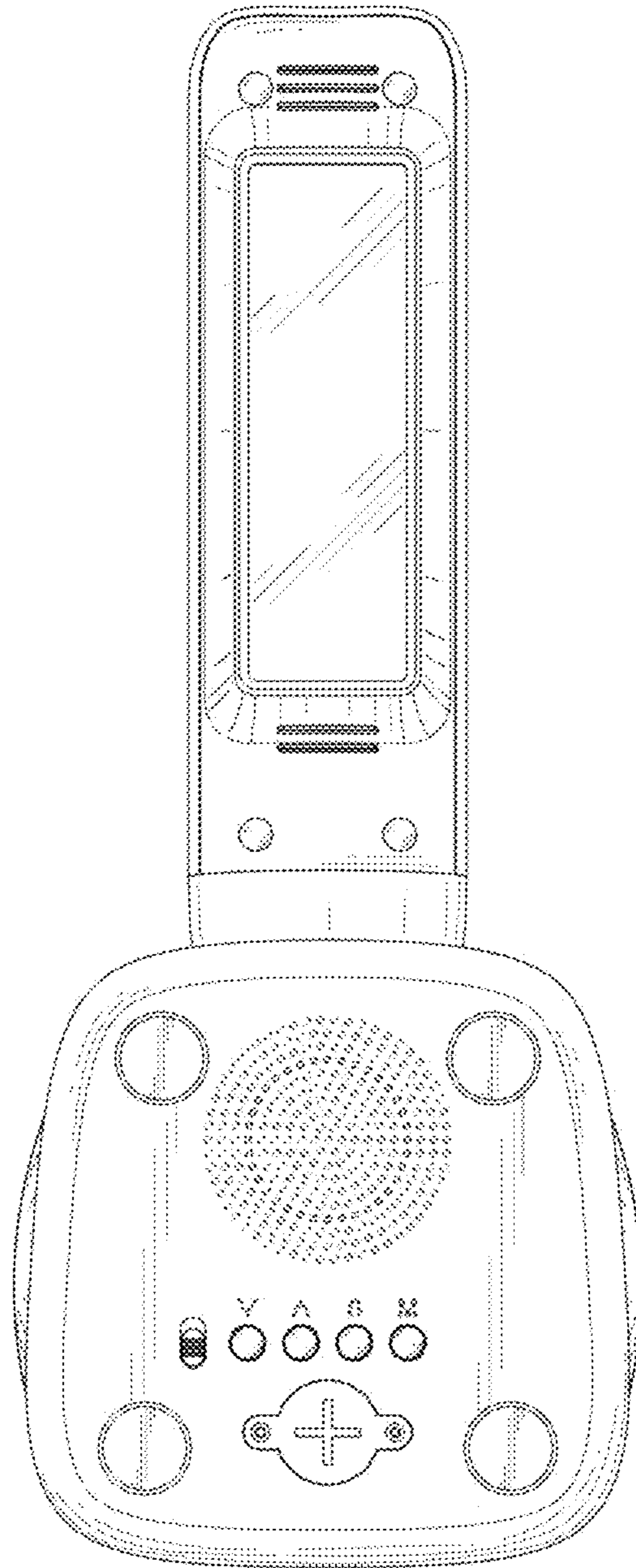


Fig. 8