



US00D882856S

(12) **United States Design Patent**
Feng

(10) **Patent No.:** **US D882,856 S**

(45) **Date of Patent:** **** Apr. 28, 2020**

(54) **STAR PROJECTOR NIGHT LIGHT**

(71) Applicant: **Zuozhou Feng**, Haerbin (CN)

(72) Inventor: **Zuozhou Feng**, Haerbin (CN)

(**) Term: **15 Years**

(21) Appl. No.: **29/655,010**

(22) Filed: **Jun. 29, 2018**

(51) **LOC (12) Cl.** **26-03**

(52) **U.S. Cl.**
USPC **D26/104; D26/106**

(58) **Field of Classification Search**
USPC D26/24, 93, 94, 98, 104, 110
CPC F21L 4/00; F21S 9/02; F21S 48/145; F21S
6/00; F21S 8/08; F21S 4/005; F21S
10/06; F21V 21/30
See application file for complete search history.

(56) **References Cited**

U.S. PATENT DOCUMENTS

- 3,634,679 A * 1/1972 Krzyston F21S 10/06
40/431
- D496,126 S * 9/2004 Huang D26/104
- D752,802 S * 3/2016 Johnson D26/110

- D757,988 S * 5/2016 Chang D26/104
- D829,961 S * 10/2018 Lin D26/104
- D852,405 S * 6/2019 Zeng D26/104

* cited by examiner

Primary Examiner — Brian N. Vinson
(74) *Attorney, Agent, or Firm* — Pasadena Legal Group;
Norman R. Van Treeck

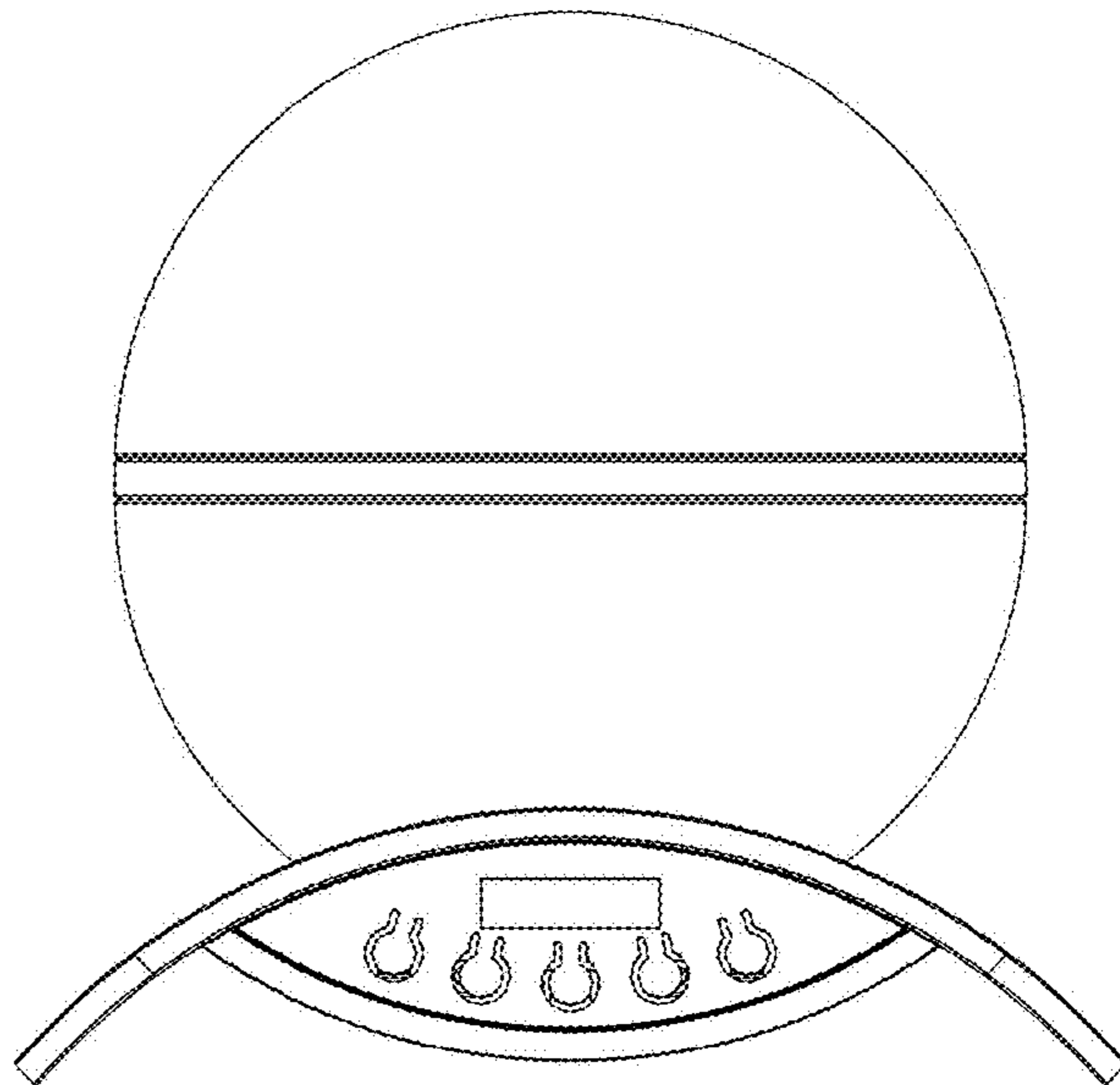
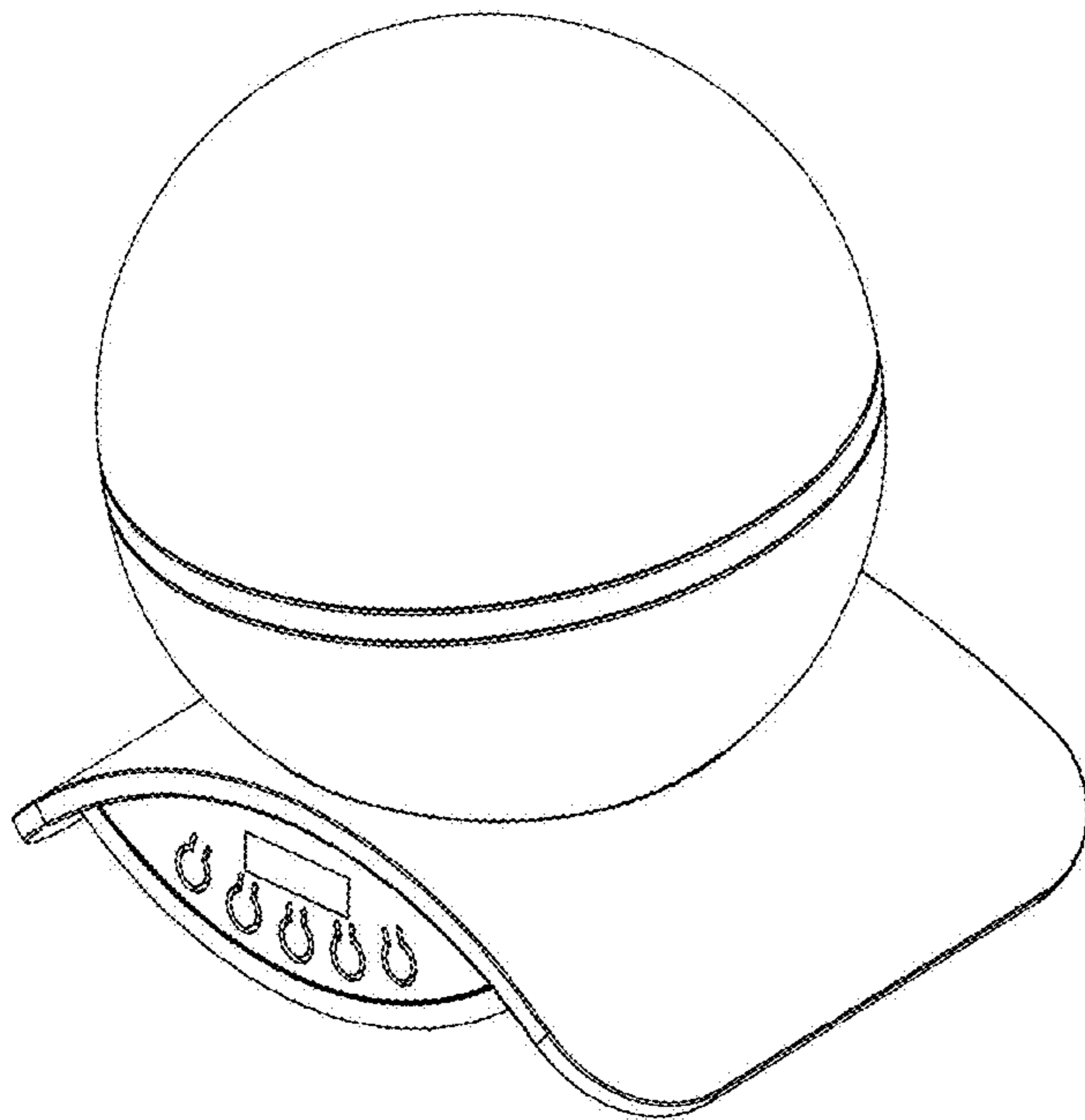
(57) **CLAIM**

The ornamental design of a star projector night light, as shown and described.

DESCRIPTION

FIG. 1 is a front perspective view of a star projector night light according to my new design;
 FIG. 2 is a front plan view of the star projector night light shown in FIG. 1;
 FIG. 3 is a bottom plan view of the star projector night light shown in FIG. 1;
 FIG. 4 is a top plan view of the star projector night light shown in FIG. 1;
 FIG. 5 is a left plan view of the star projector night light shown in FIG. 1, where the right side view is substantially the same; and,
 FIG. 6 is a rear plan view of the star projector night light shown in FIG. 1.

1 Claim, 3 Drawing Sheets



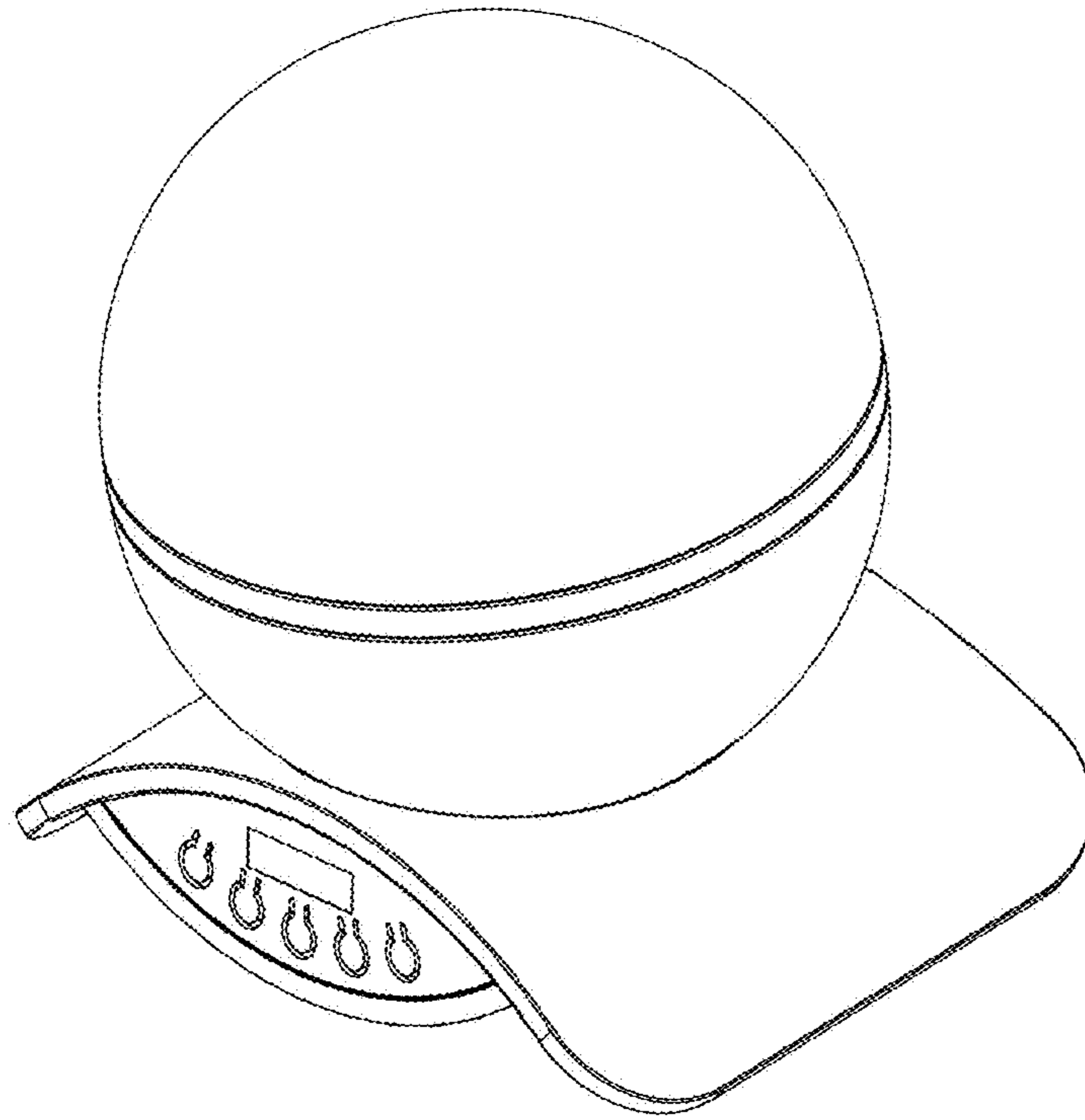


Figure 1

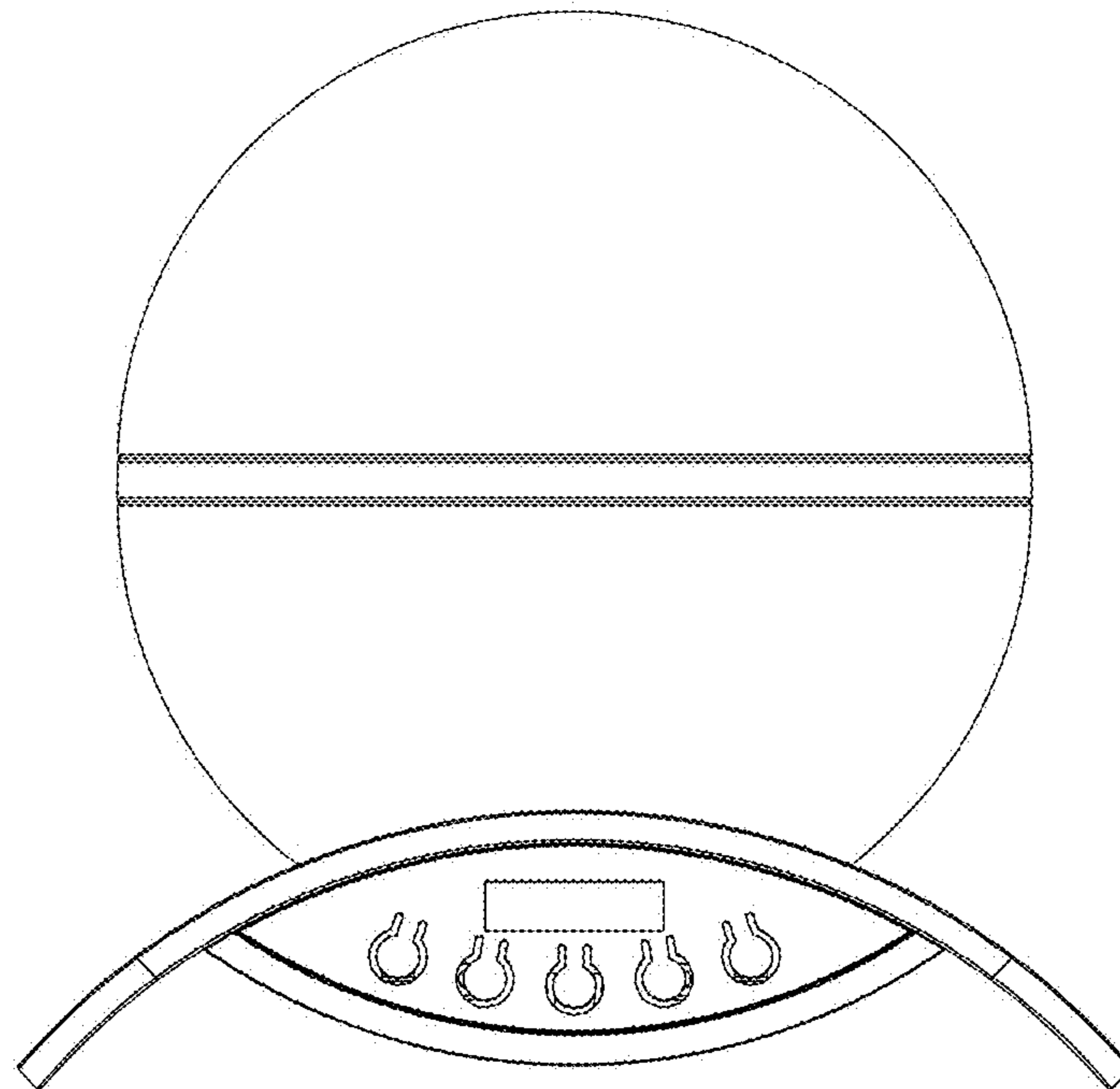


Figure 2

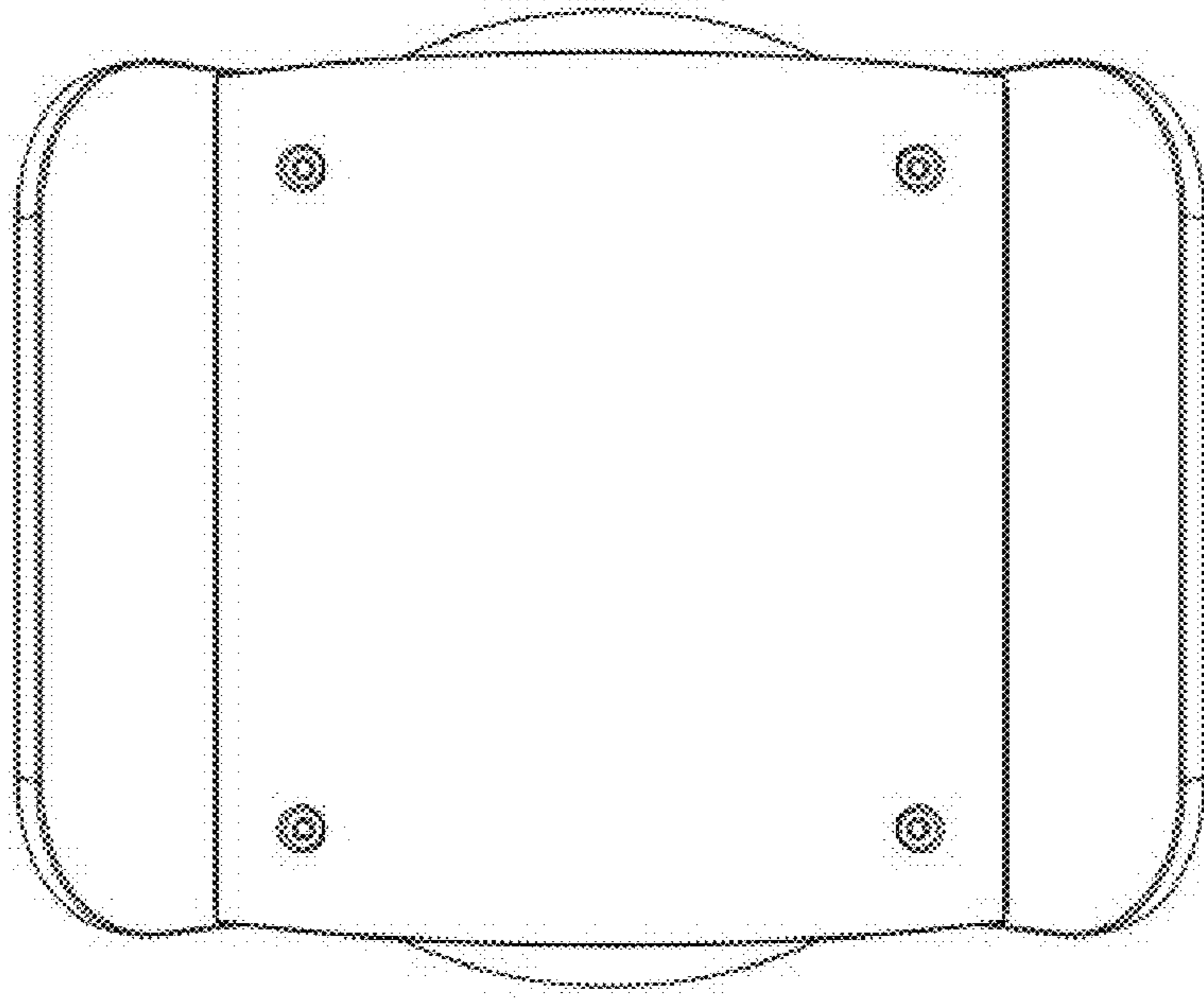


Figure 3

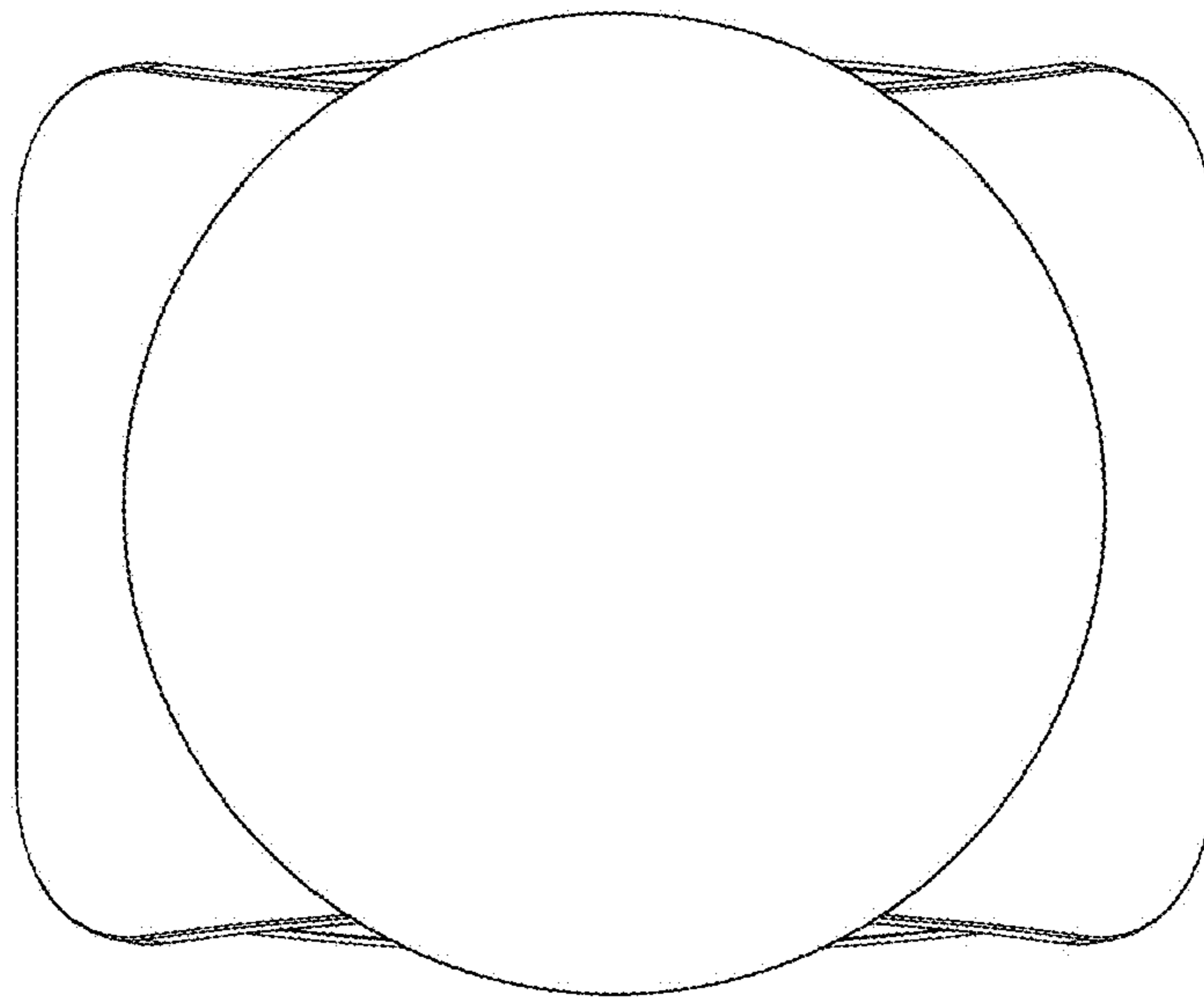


Figure 4

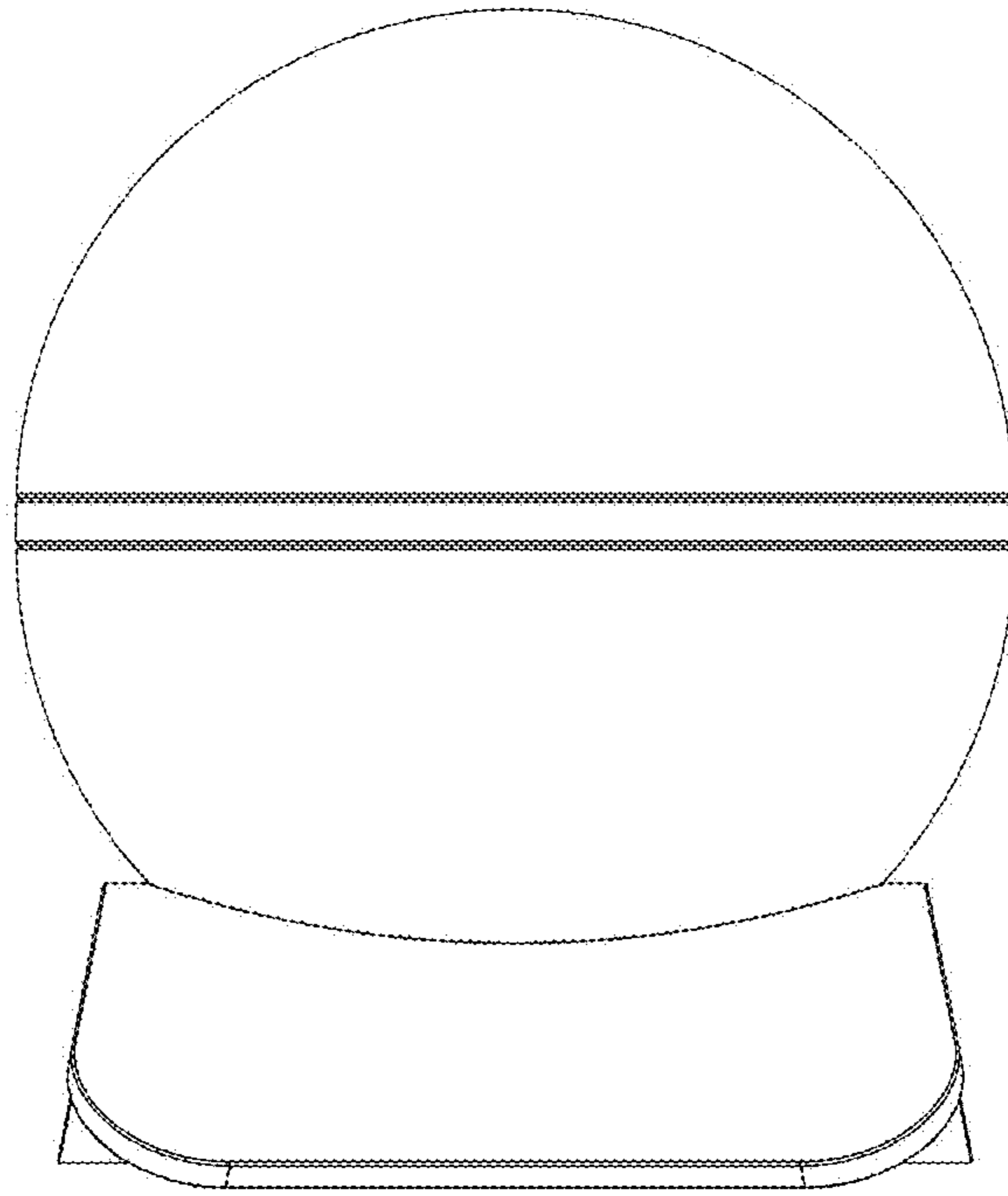


Figure 5

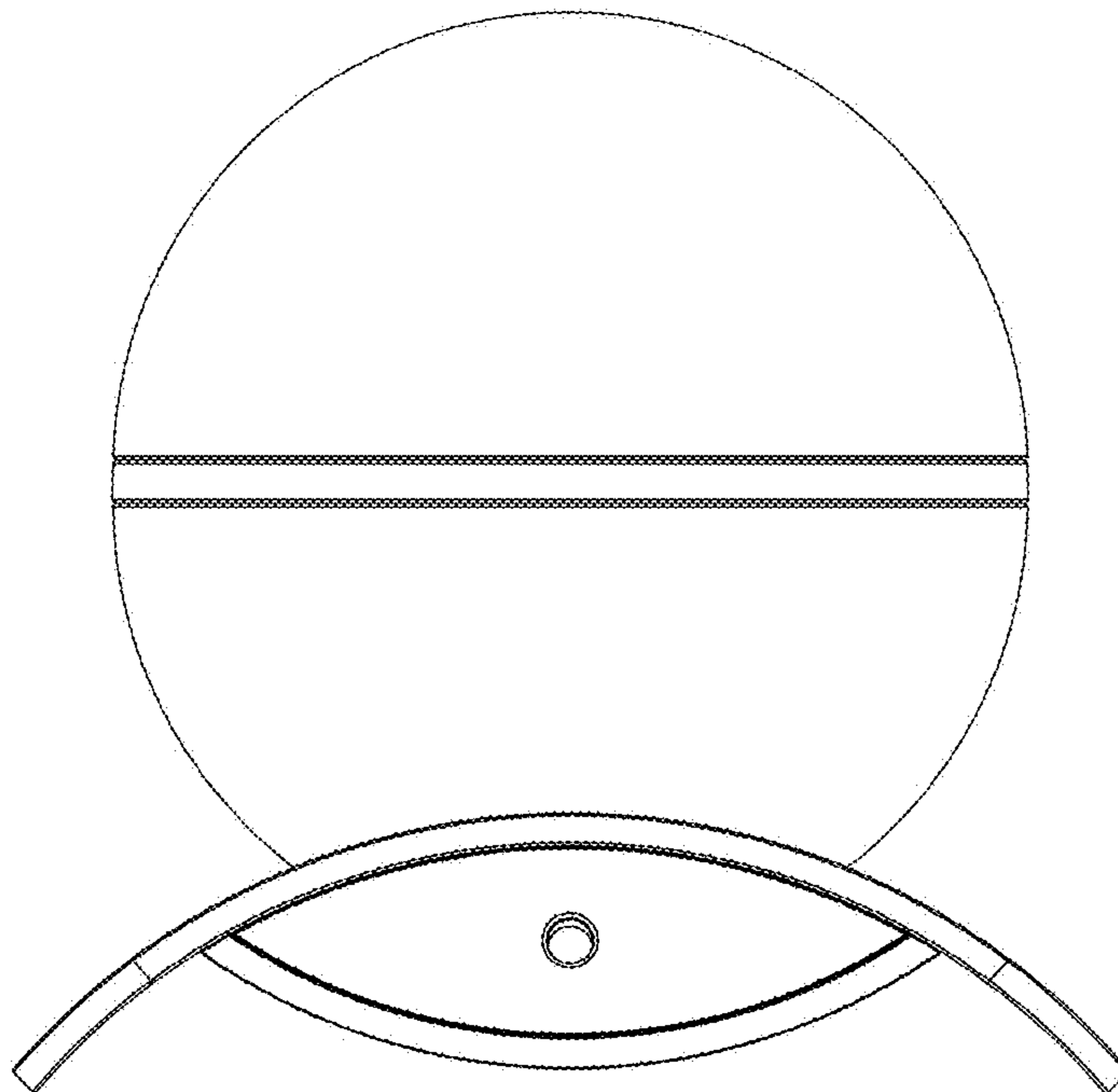


Figure 6