



US00D882855S

(12) **United States Design Patent**  
**Liu**

(10) **Patent No.:** **US D882,855 S**

(45) **Date of Patent:** **\*\* Apr. 28, 2020**

(54) **SOLAR WALL LIGHT**

(71) Applicant: **Shenzhen 100 Plus Design Co. Ltd.**,  
Shenzhen OT (CN)

(72) Inventor: **Peter Liu**, Shenzhen (CN)

(73) Assignee: **SHENZHEN 100 PLUS DESIGN CO., LTD.**, Shenzhen (CN)

(\*\*) Term: **15 Years**

(21) Appl. No.: **29/659,380**

(22) Filed: **Aug. 8, 2018**

(30) **Foreign Application Priority Data**

Mar. 12, 2018 (CN) ..... 2018 3 0090750

(51) **LOC (12) Cl.** ..... **26-03**

(52) **U.S. Cl.**  
USPC ..... **D26/85**

(58) **Field of Classification Search**

USPC ..... D26/72, 80, 85; D10/106.6, 106.8  
CPC .... F21S 8/03; F21S 8/033; F21S 8/036; F21S  
8/037; F21S 9/022; F21S 9/024; F21S  
9/03; F21S 9/035; F21S 9/037; F21W  
2131/107; G08B 13/193

See application file for complete search history.

(56) **References Cited**

**U.S. PATENT DOCUMENTS**

D231,630 S \* 5/1974 Sherry ..... D26/85  
4,015,163 A \* 3/1977 Iacobelli ..... F21S 8/033  
312/238  
D786,470 S \* 5/2017 Largent ..... D26/72  
D822,874 S \* 7/2018 Hu ..... D26/85  
D835,830 S \* 12/2018 Liu ..... D26/85  
D841,218 S \* 2/2019 Liu ..... D26/85

D841,865 S \* 2/2019 Deng ..... D26/85  
D844,213 S \* 3/2019 Liu ..... D26/85  
D848,658 S \* 5/2019 Tan ..... D26/85  
D849,988 S \* 5/2019 Li ..... D26/85  
D861,224 S \* 9/2019 Hu ..... D26/85  
D861,226 S \* 9/2019 Liu ..... D26/85  
D864,460 S \* 10/2019 Hu ..... D26/85

**OTHER PUBLICATIONS**

100 LED Solar Powered 600lm PIR Motion Sensor Wall Light available at gearbest.com as easily as Nov. 14, 2019. (Year: 2019).\*  
Aootek 120 Led Solar outdoor motion sensor lights sold at amazon.com Nov. 10, 2017. (Year: 2017).\*

\* cited by examiner

*Primary Examiner* — Clare E Heflin

(74) *Attorney, Agent, or Firm* — Tarter Krinsky & Drogin LLP

(57) **CLAIM**

I claim the ornamental design for a solar wall light, as shown and described.

**DESCRIPTION**

FIG. 1 is a front perspective view of a solar wall light showing my new design

FIG. 2 is a front view thereof;

FIG. 3 is a back view thereof;

FIG. 4 is a left-side view thereof;

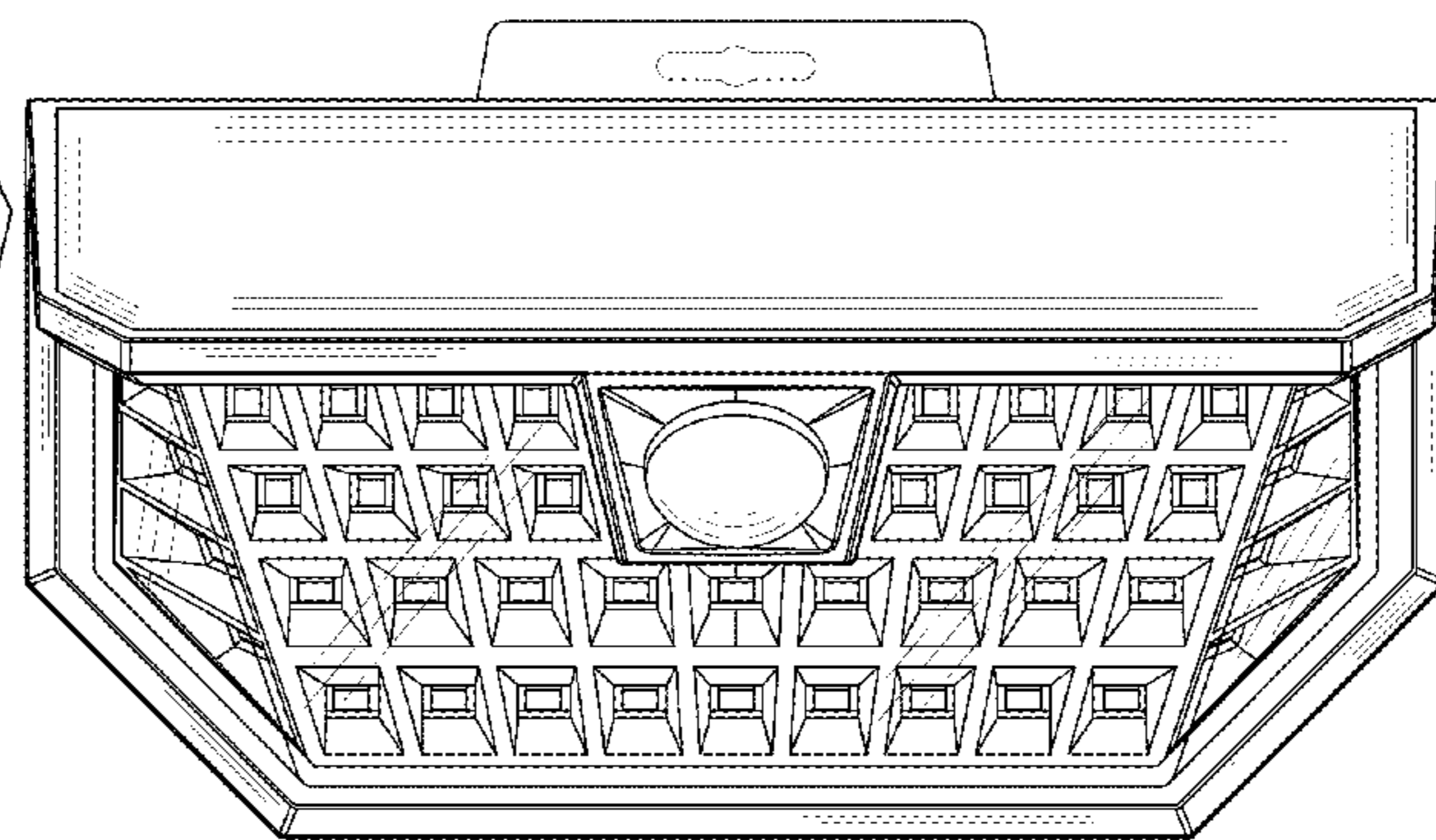
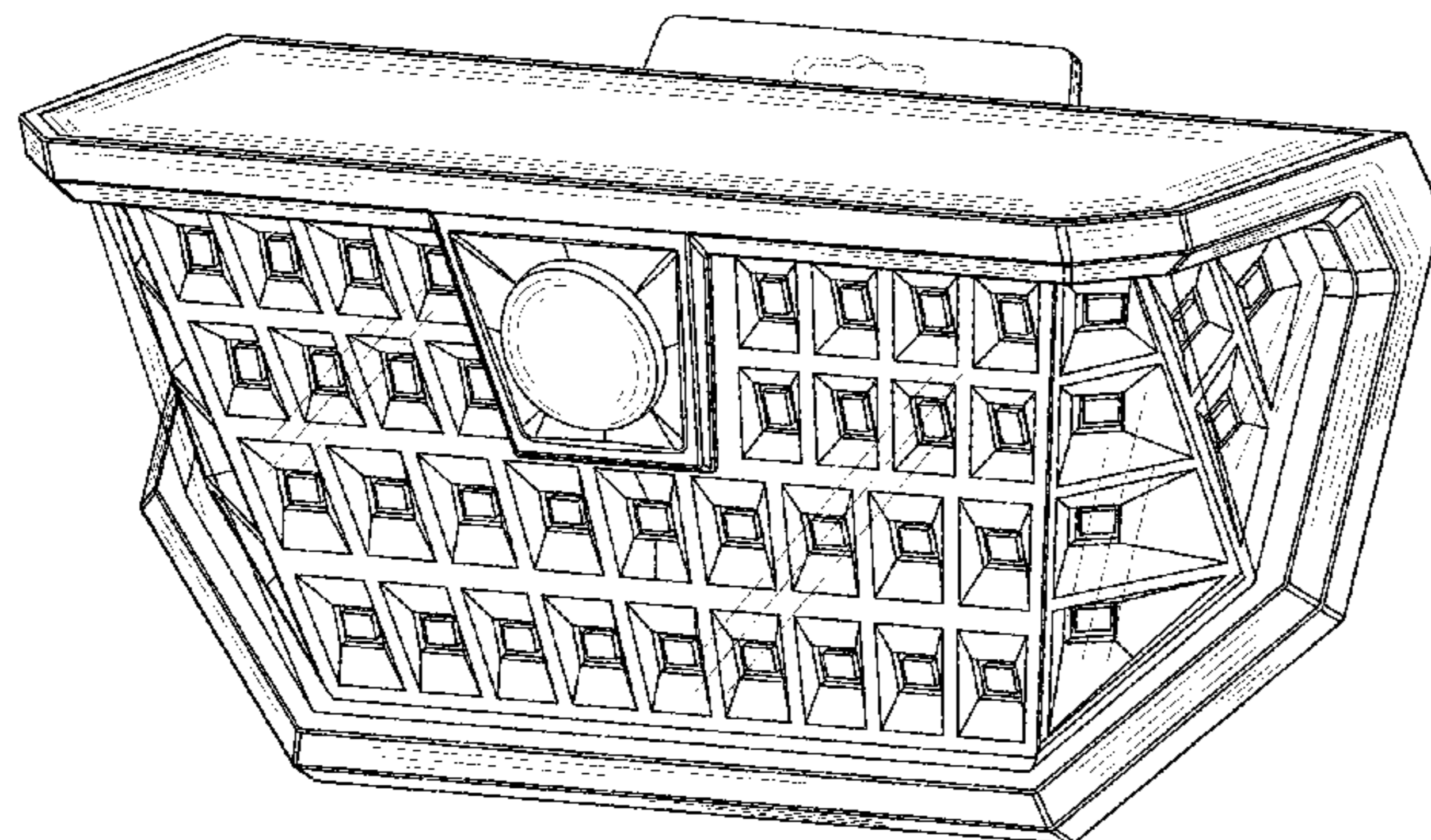
FIG. 5 is a right-side view thereof;

FIG. 6 is a top view thereof; and,

FIG. 7 is a bottom view thereof.

The broken lines shown on the drawings represent portions of the solar wall light that form no part of the claimed design.

**1 Claim, 7 Drawing Sheets**



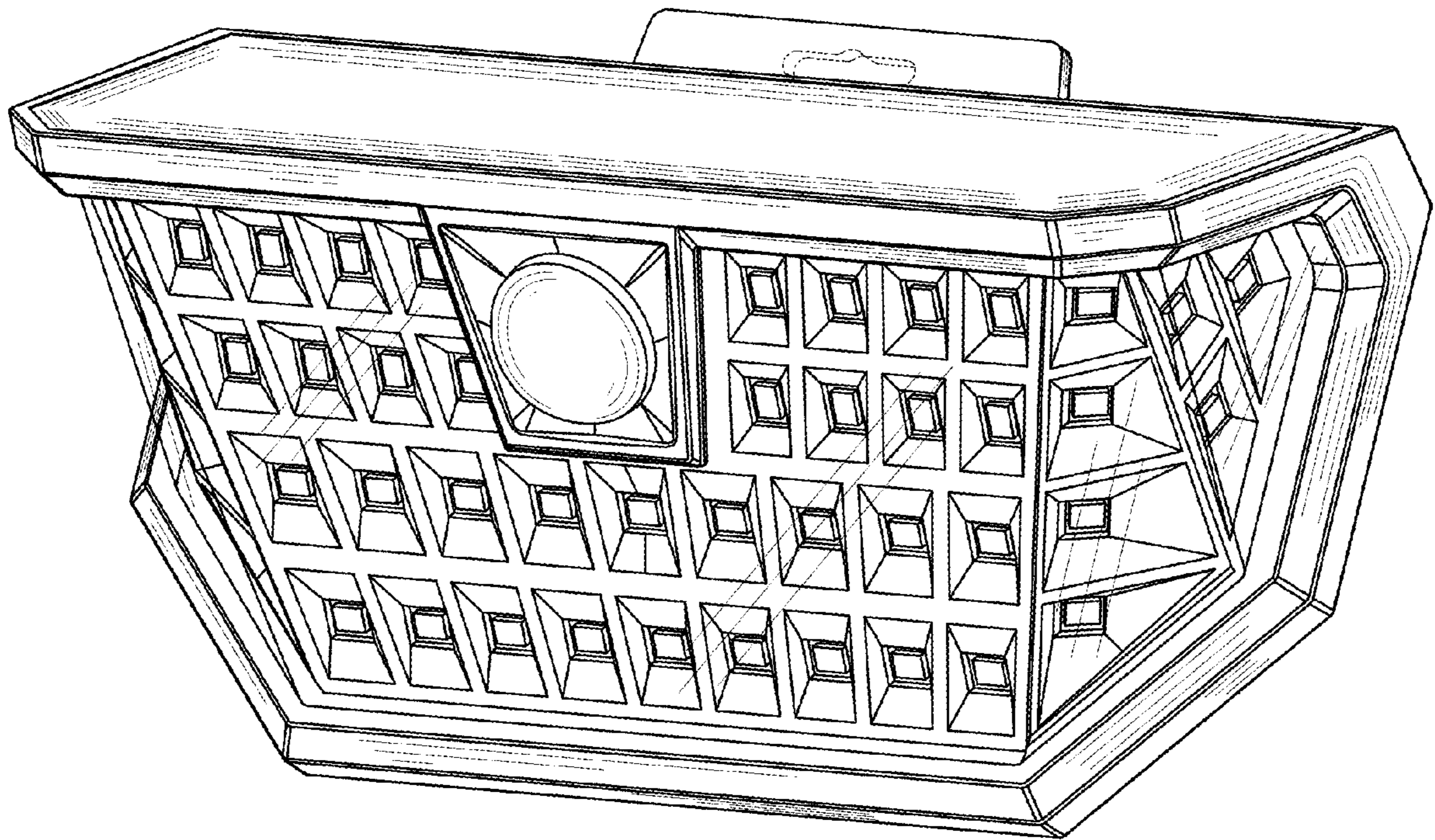


FIG. 1

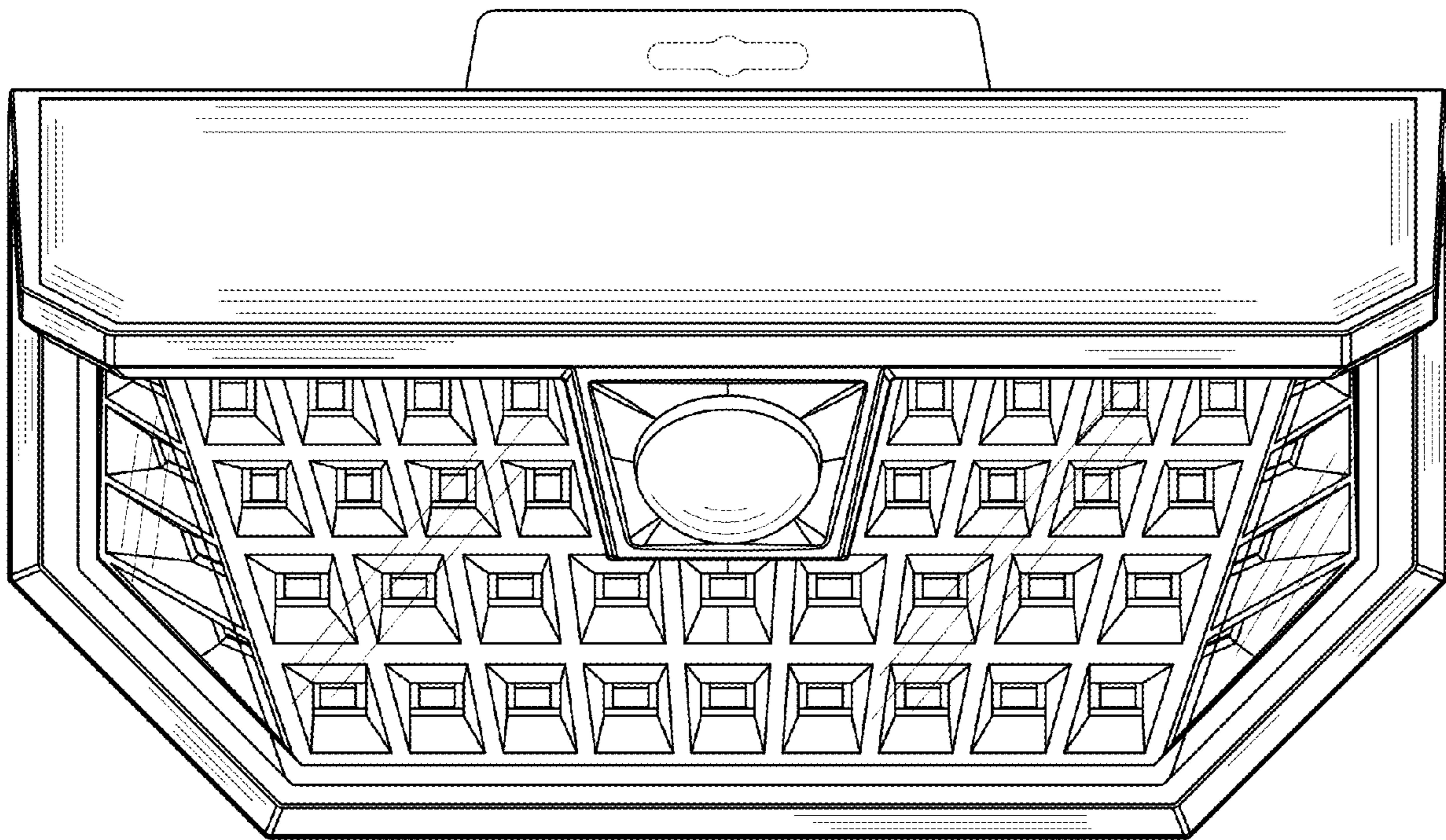


FIG. 2

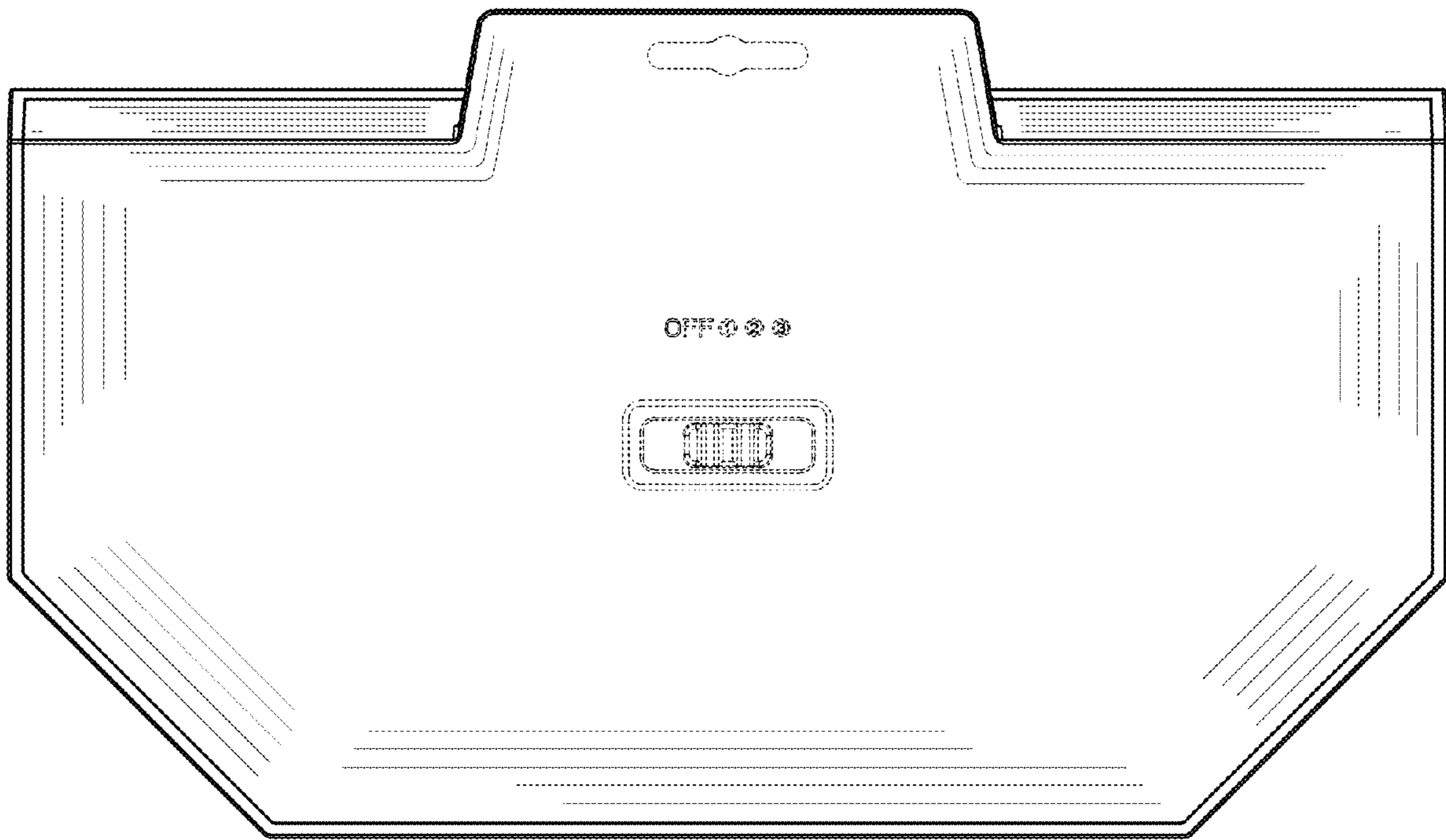


FIG. 3

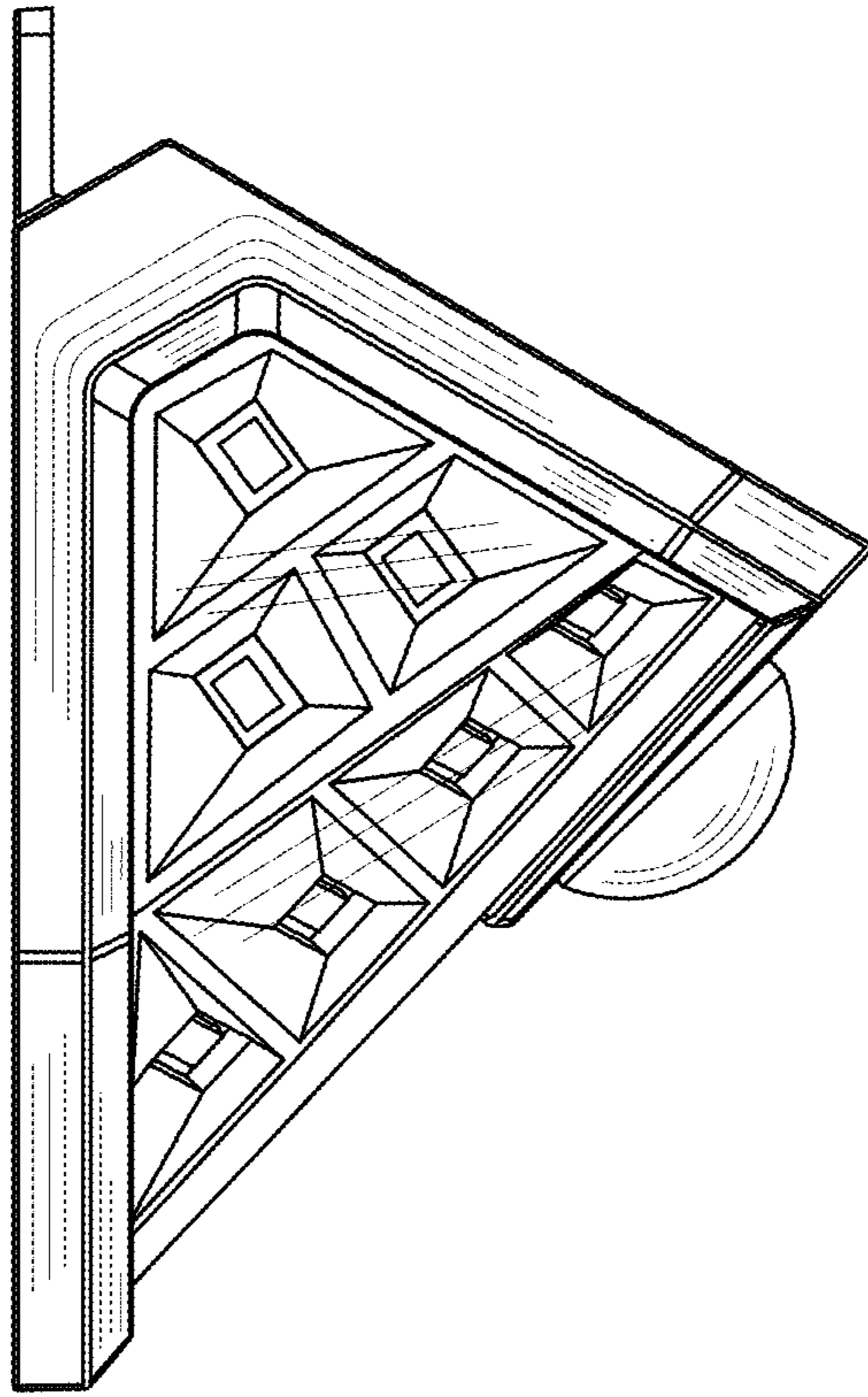


FIG. 4

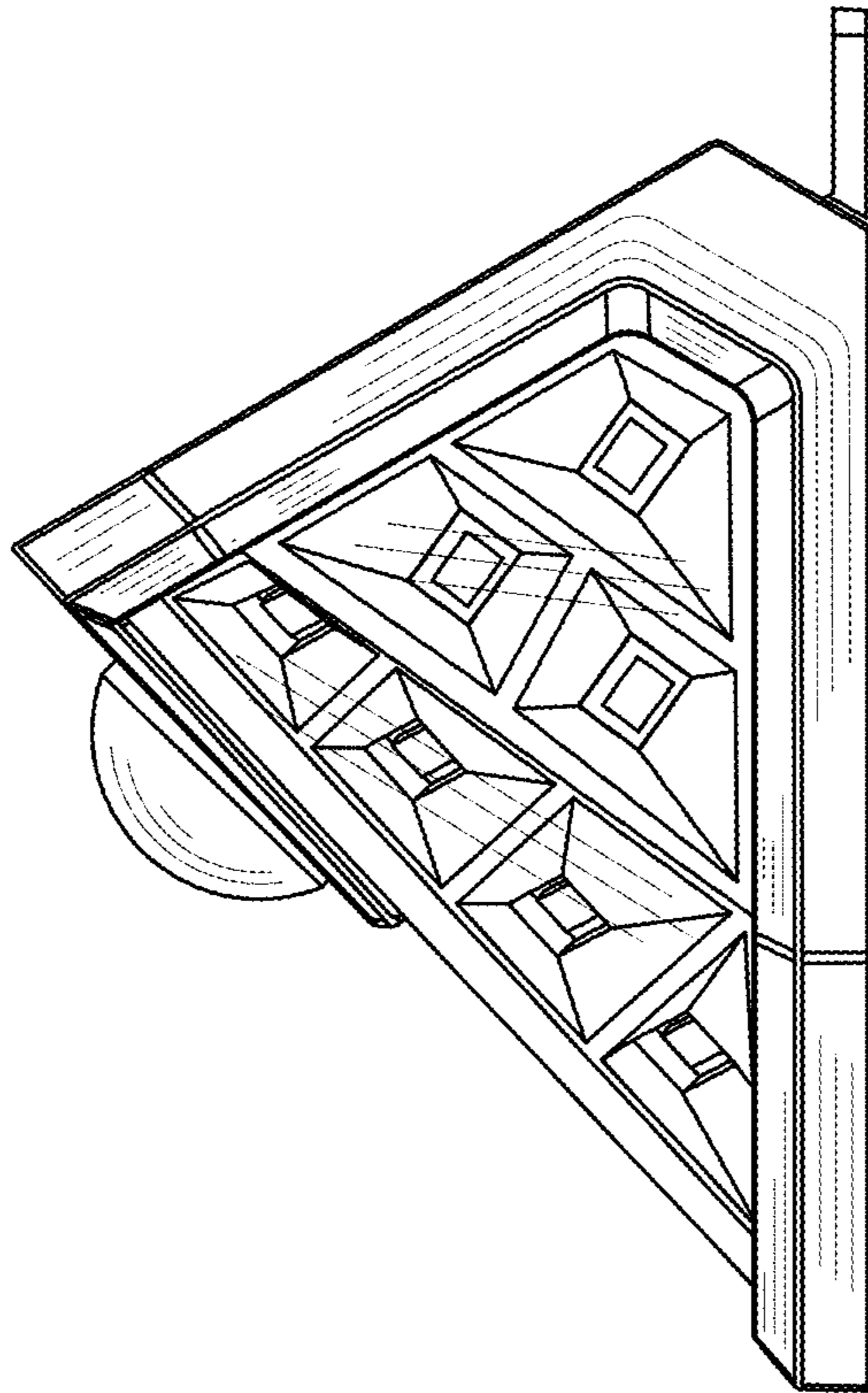


FIG. 5

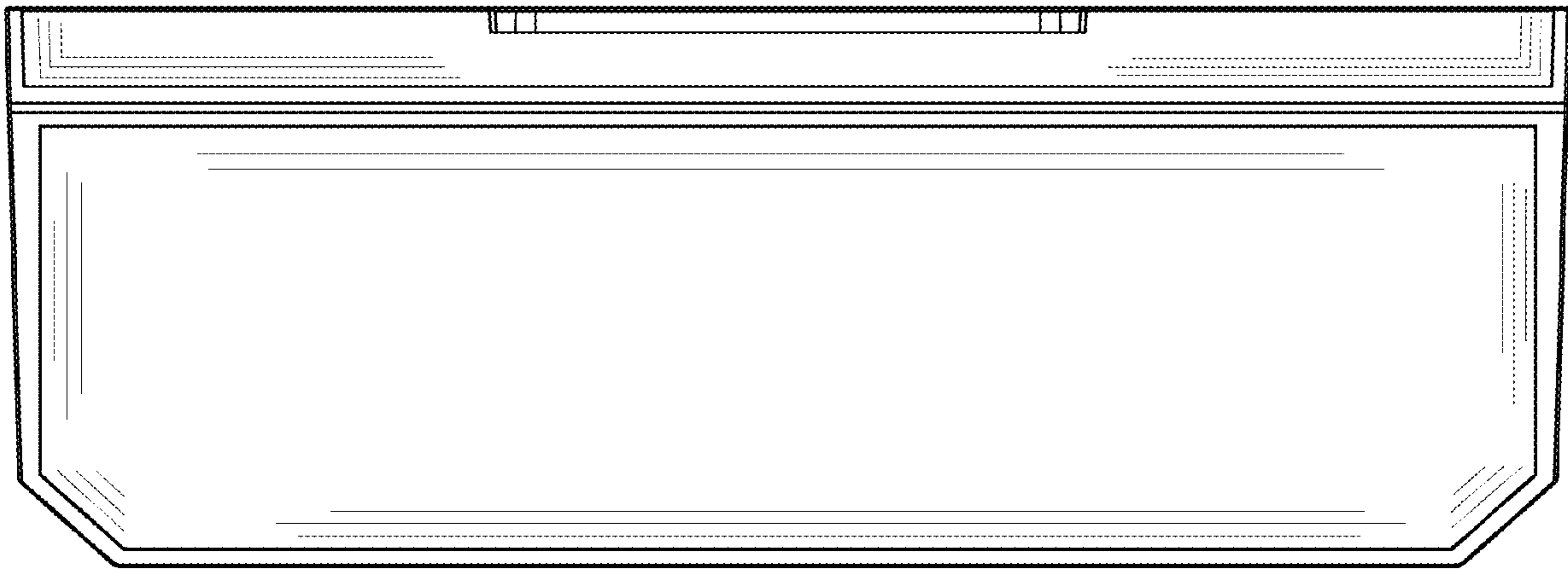


FIG. 6

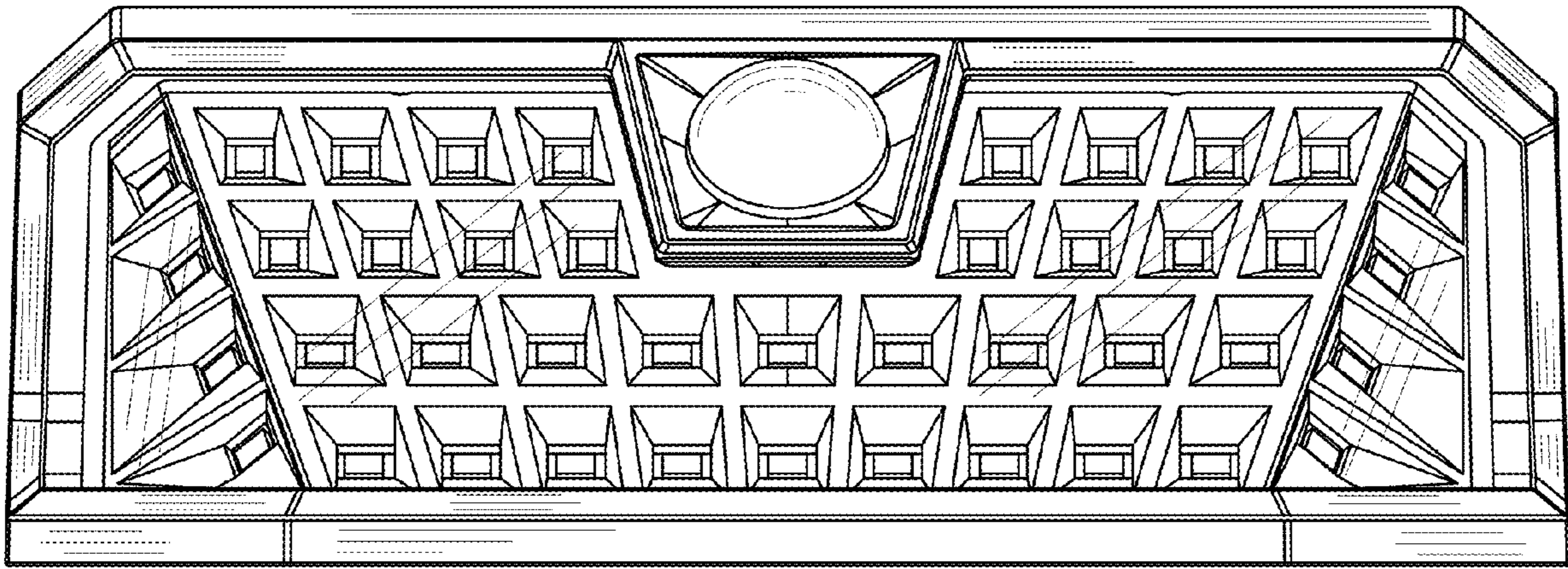


FIG. 7