



US00D882854S

(12) **United States Design Patent**  
**Yang et al.**

(10) **Patent No.:** **US D882,854 S**  
(45) **Date of Patent:** **\*\* Apr. 28, 2020**

(54) **MINING LAMP**

(71) Applicant: **LEEDARSON LIGHTING CO. LTD.**,  
Zhangzhou, Fujian Province (CN)

(72) Inventors: **Xiaoming Yang**, Zhangzhou (CN);  
**Wanzhen Li**, Zhangzhou (CN);  
**Weichuan Chen**, Zhangzhou (CN);  
**Yunfei Ou**, Zhangzhou (CN); **Jingjing Su**, Zhangzhou (CN)

(73) Assignee: **LEEDARSON LIGHTING CO., LTD.**, Zhangzhou (CN)

(\*\*) Term: **15 Years**

(21) Appl. No.: **29/643,644**

(22) Filed: **Apr. 10, 2018**

(51) **LOC (12) Cl.** ..... **26-05**

(52) **U.S. Cl.**  
USPC ..... **D26/72; D26/88**

(58) **Field of Classification Search**  
USPC ..... D26/42, 58, 72, 75, 76, 80, 81, 88, 89,  
D26/90, 102  
CPC . F21V 7/043; F21V 7/045; F21V 7/05; F21V  
29/74; F21V 29/76; F21V 29/763; F21V  
29/77; F21V 29/773; F21V 29/777; F21V  
29/83; F21S 8/031; F21S 8/04; F21S  
8/06; F21S 8/061; F21S 8/063; F21S  
8/085

See application file for complete search history.

(56) **References Cited**

**U.S. PATENT DOCUMENTS**

D625,038 S \* 10/2010 Yoo ..... D26/85  
D792,988 S \* 7/2017 Zhou ..... D26/2

D796,722 S \* 9/2017 Zhu ..... D26/72  
D811,642 S \* 2/2018 Liang ..... D26/72  
D845,532 S \* 4/2019 Zhu ..... D26/72  
D867,650 S \* 11/2019 Cheng et al. .... D26/88  
2012/0212945 A1\* 8/2012 Frank ..... F21S 2/005  
362/184  
2013/0308314 A1\* 11/2013 Wung ..... F21V 29/74  
362/249.02  
2019/0242565 A1\* 8/2019 Jiang ..... F21V 7/0025

\* cited by examiner

*Primary Examiner* — Cathron C Brooks

(74) *Attorney, Agent, or Firm* — PROI Intellectual  
Property US

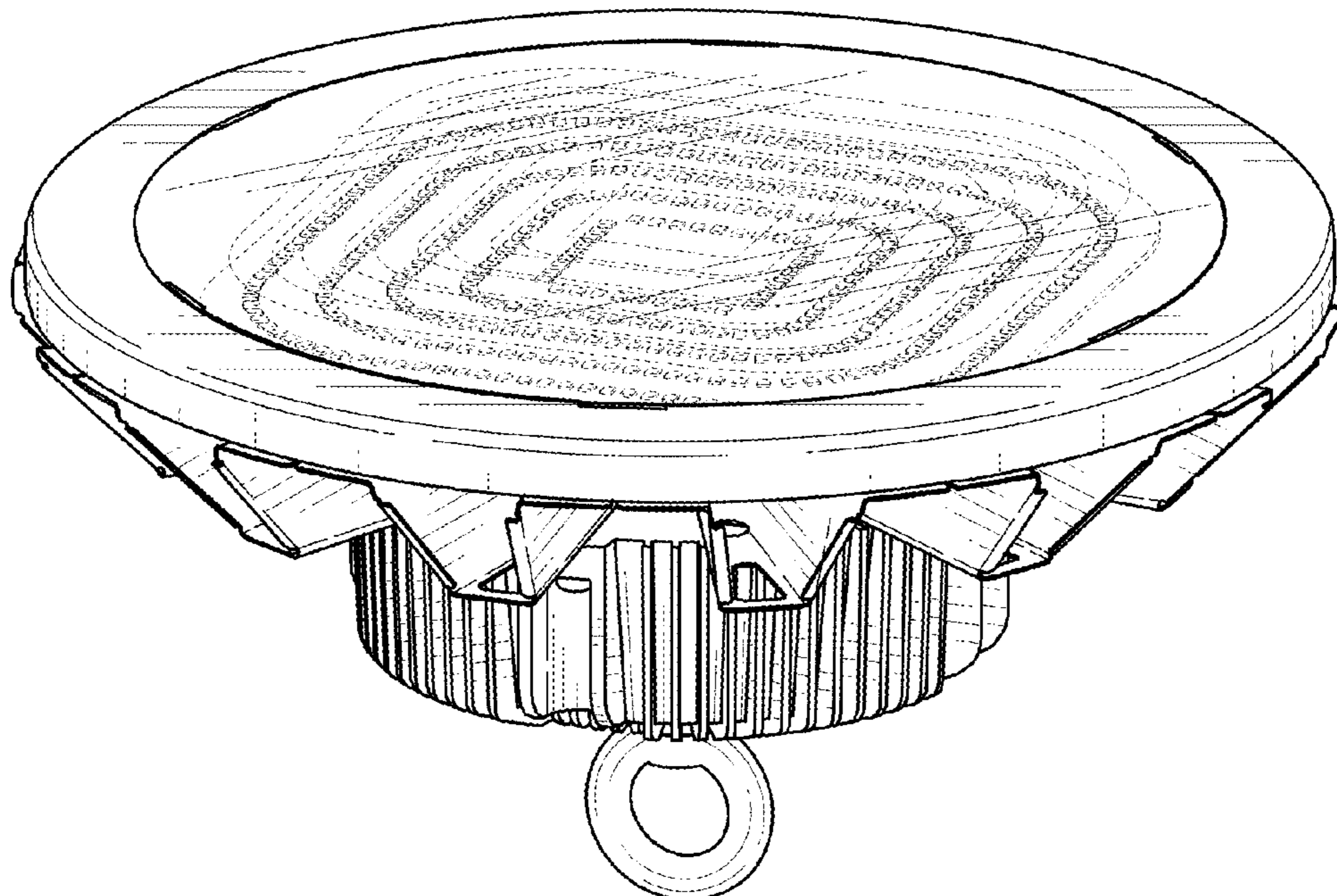
(57) **CLAIM**

The ornamental design for a mining lamp, as shown and described.

**DESCRIPTION**

FIG. 1 is a perspective front View of a mining lamp;  
FIG. 2 is a perspective top and front View thereof;  
FIG. 3 is a top View thereof;  
FIG. 4 is a bottom View thereof;  
FIG. 5 is a left side View thereof;  
FIG. 6 is a right side View thereof;  
FIG. 7 is a front View thereof; and,  
FIG. 8 is a rear View thereof.  
Broken lines are used to illustrate features of the mining lamp which form no part of the claimed design.

**1 Claim, 6 Drawing Sheets**



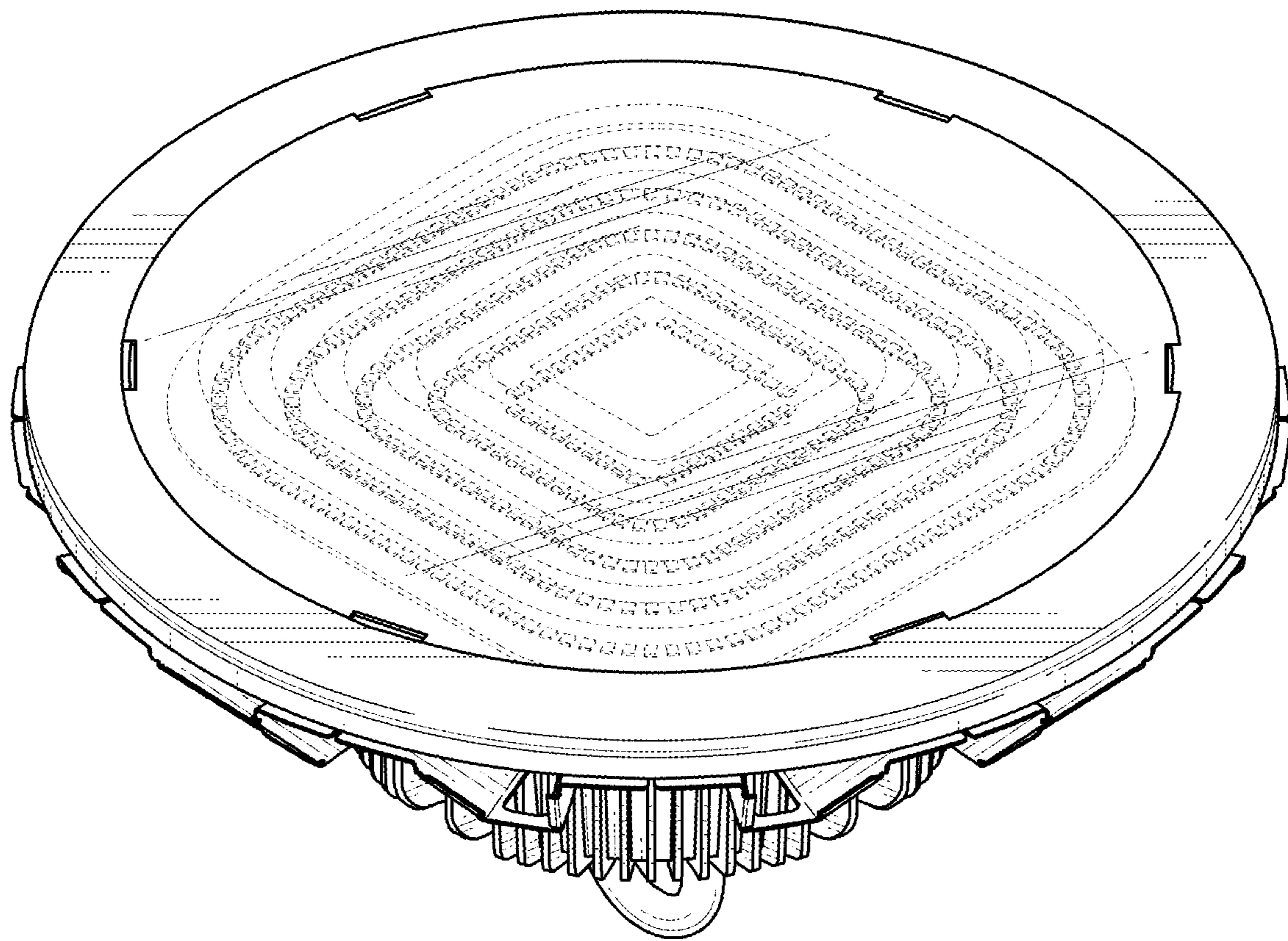


FIG. 1



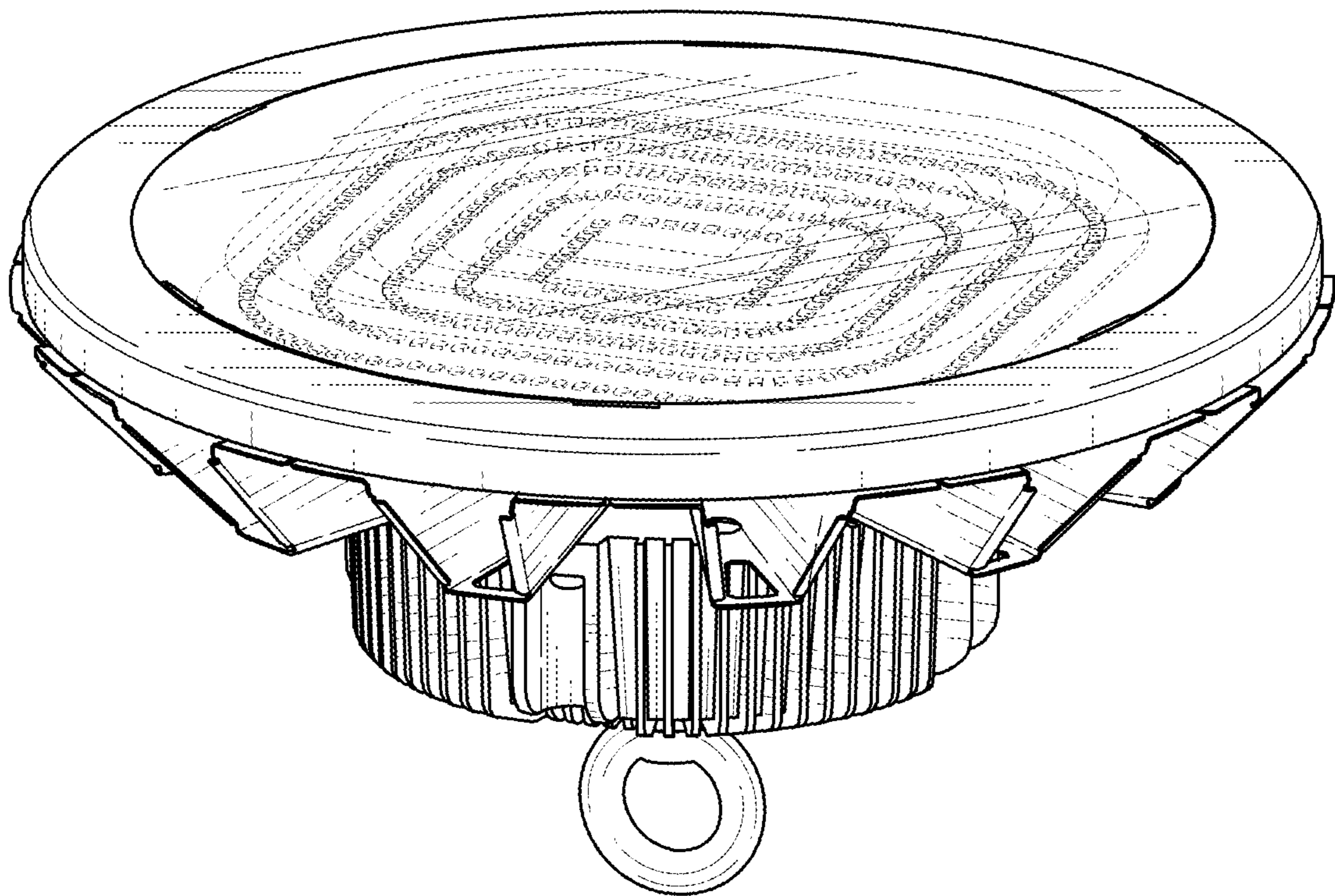


FIG. 2

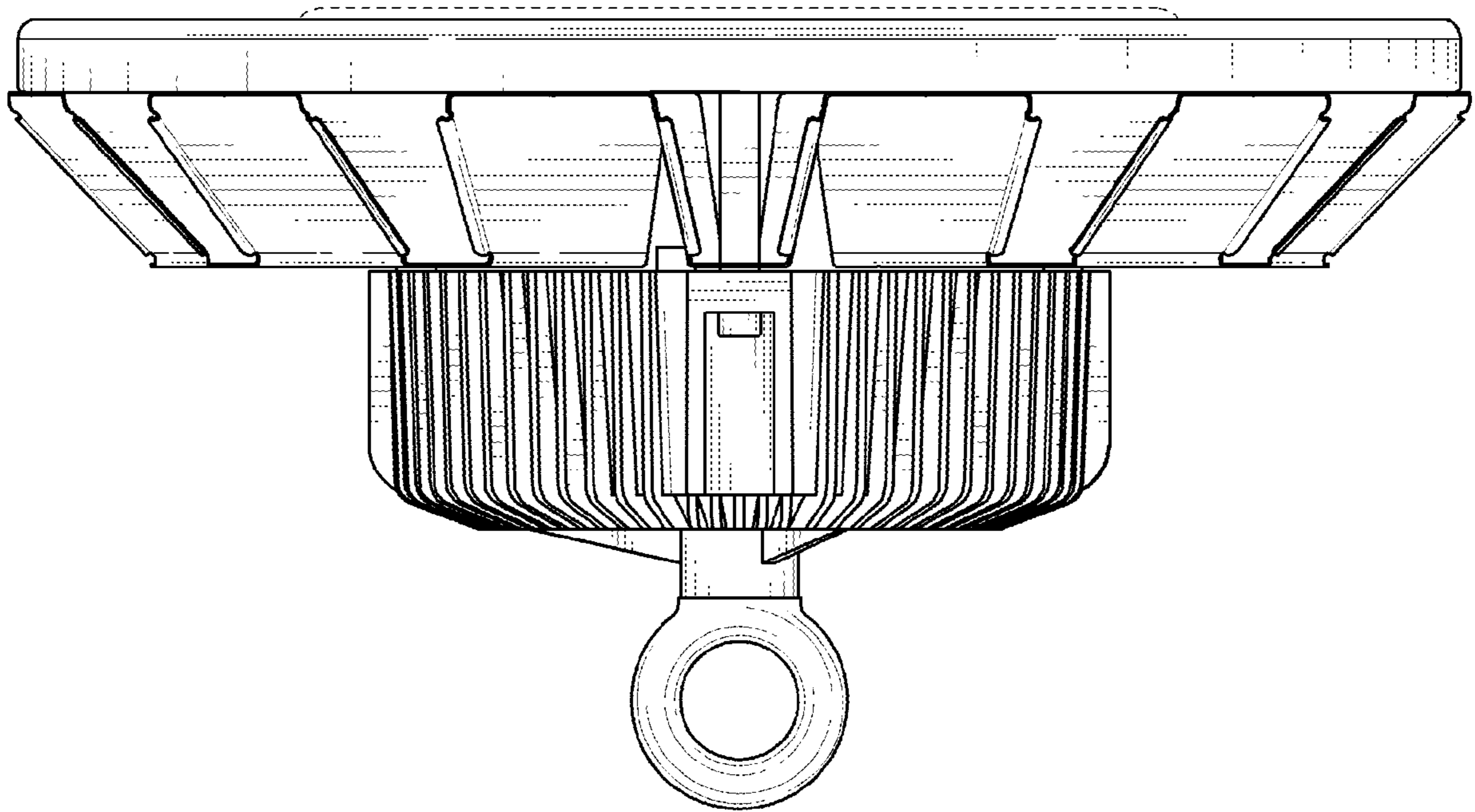


FIG. 3

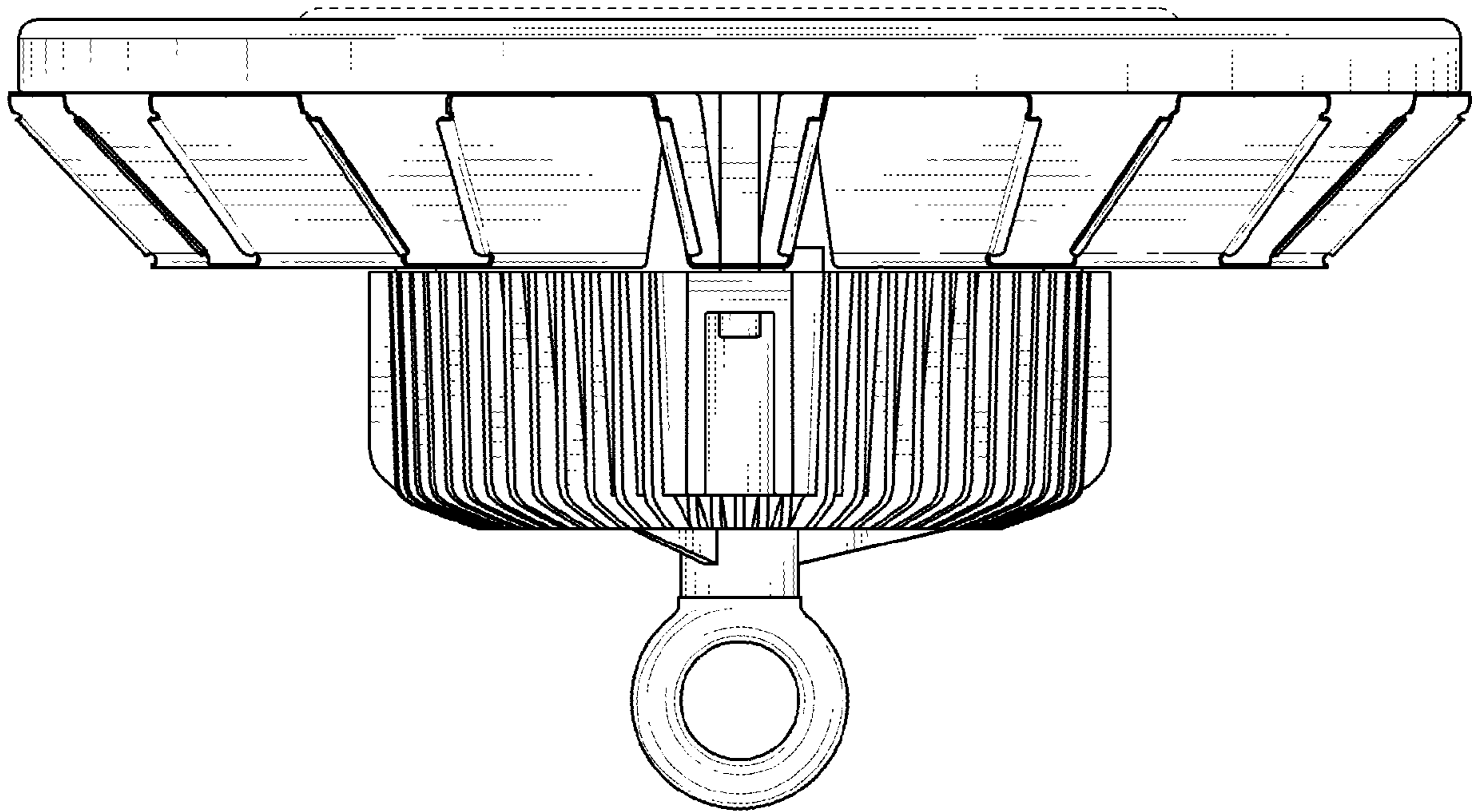


FIG. 4

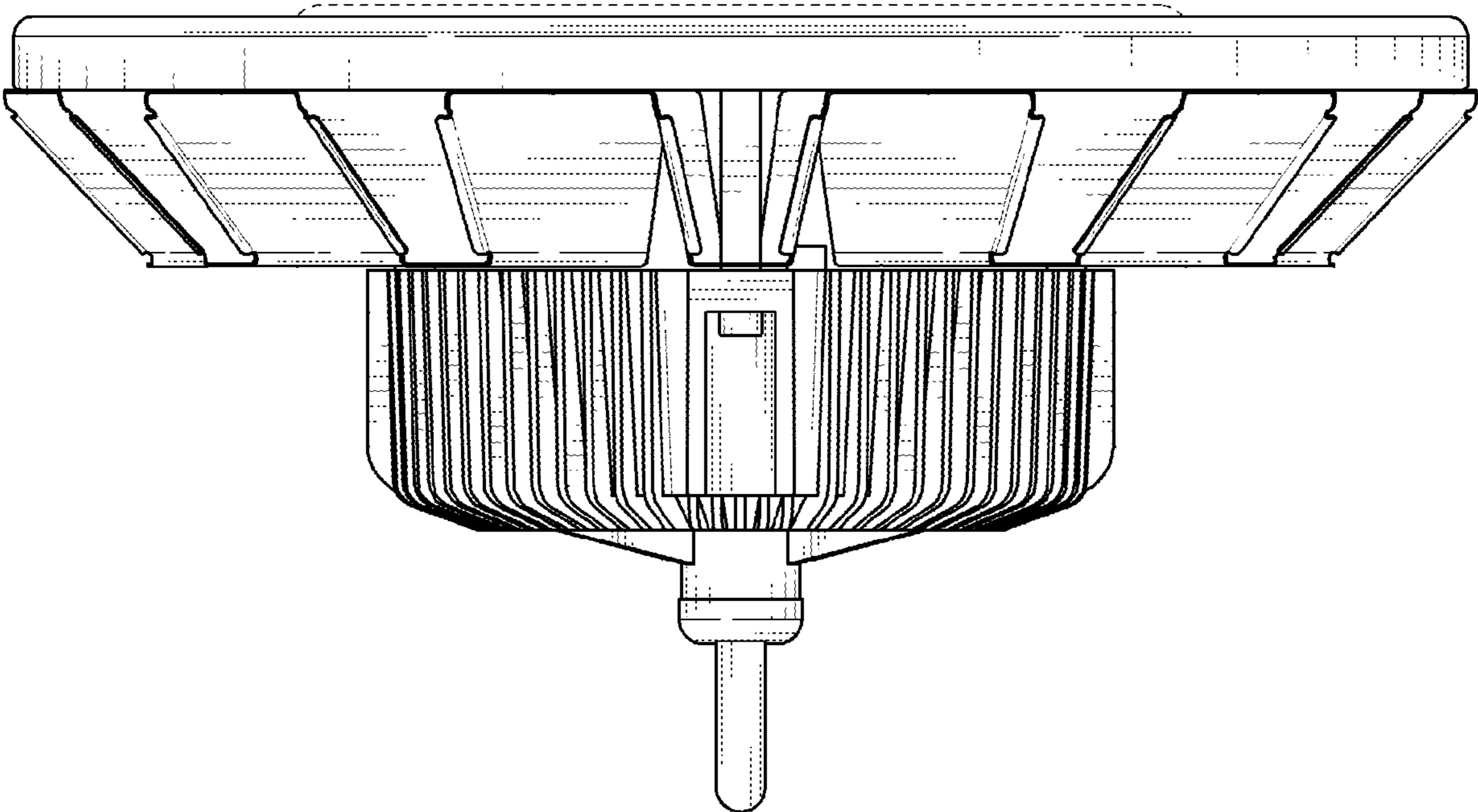


FIG. 5

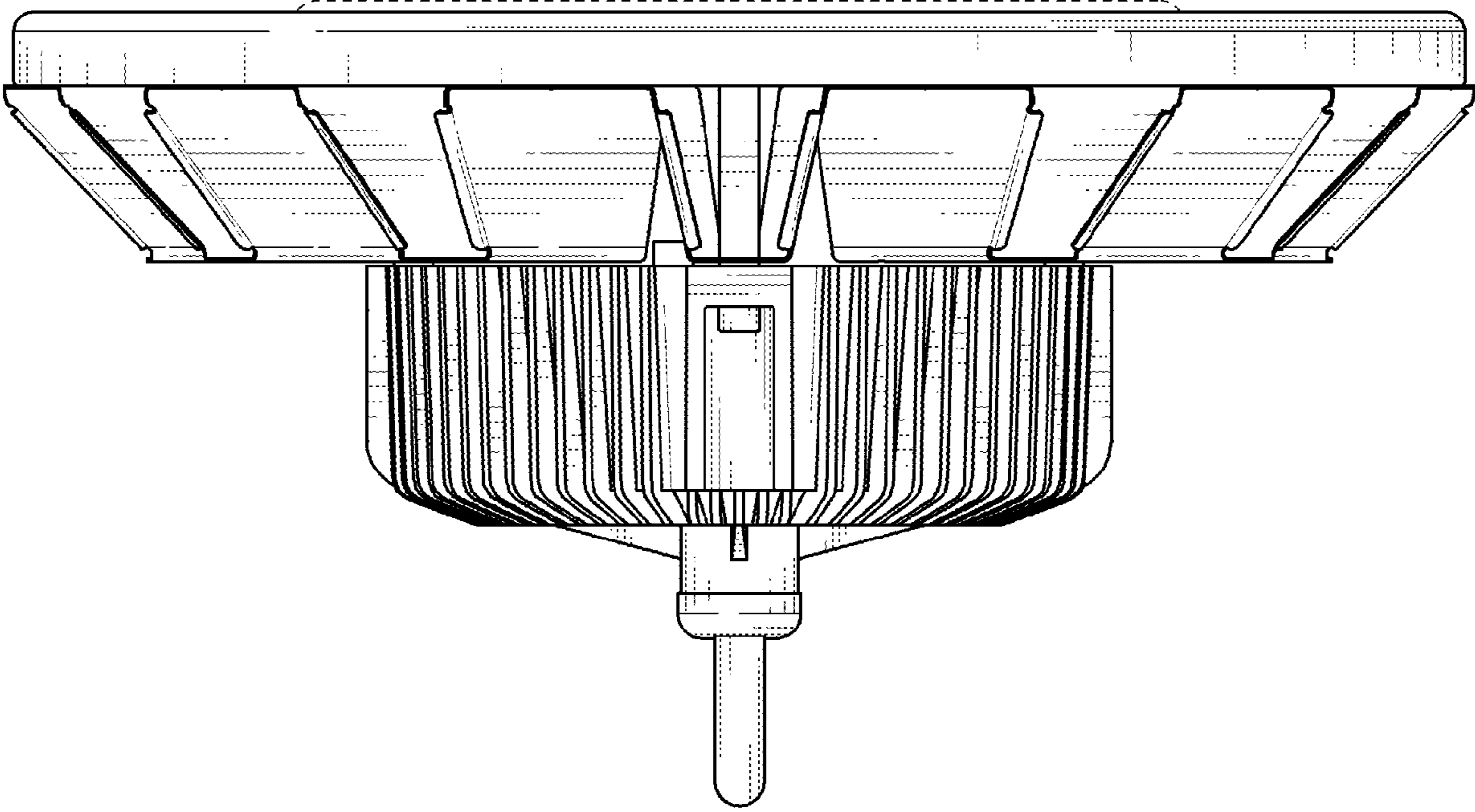


FIG. 6



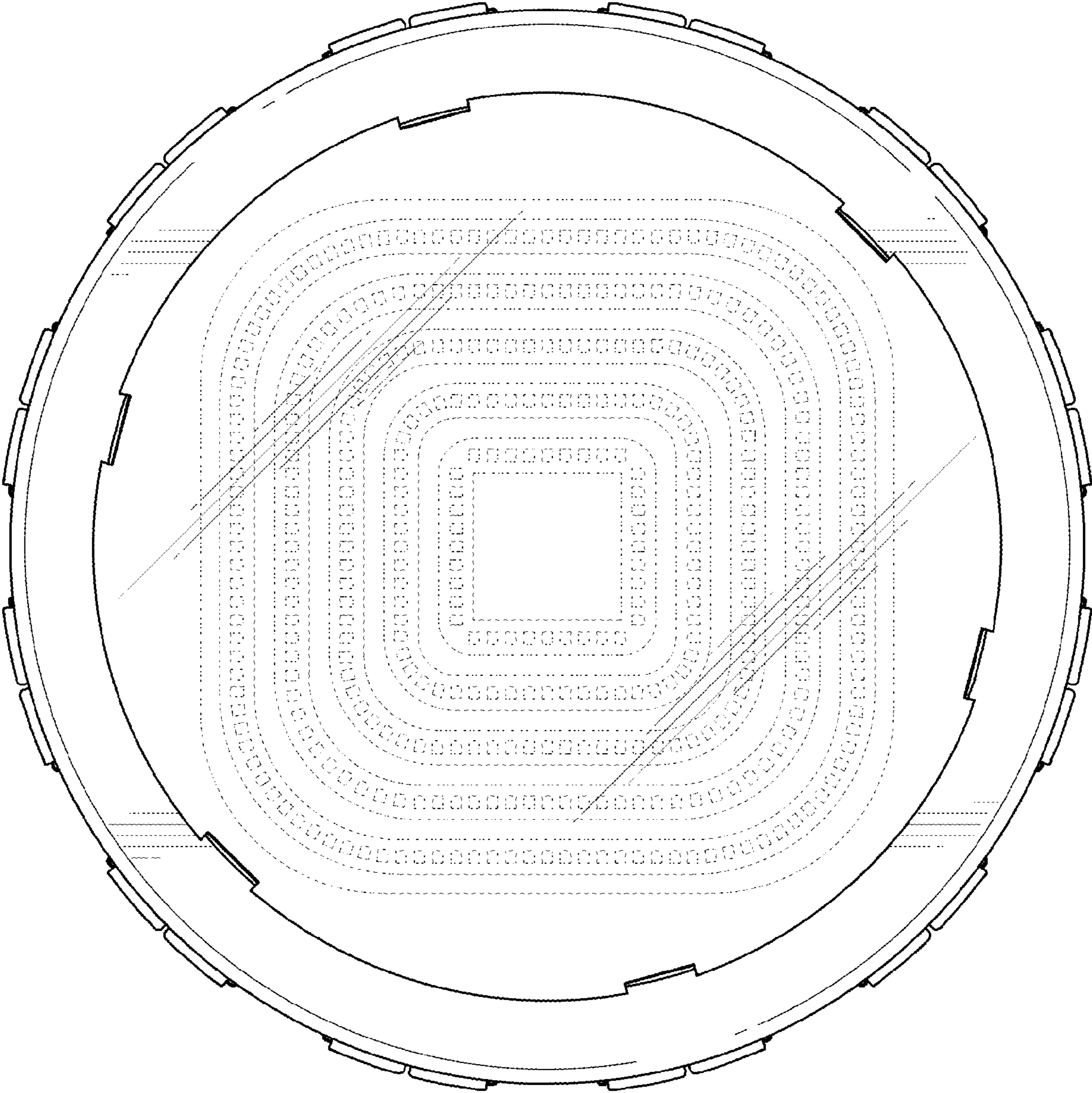


FIG. 7

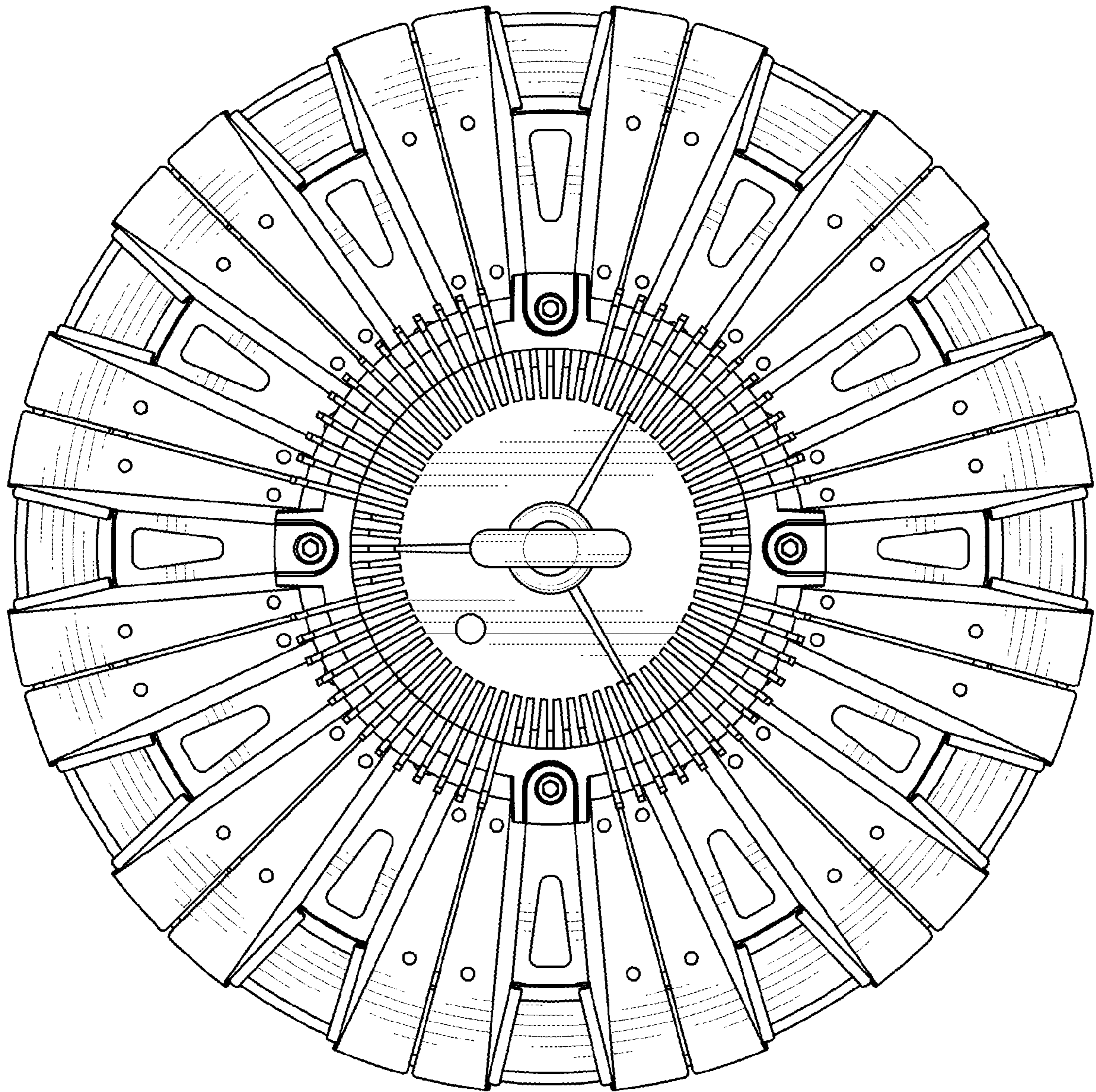


FIG. 8