



US00D882853S

(12) **United States Design Patent**
Zhou

(10) **Patent No.:** **US D882,853 S**

(45) **Date of Patent:** **** Apr. 28, 2020**

(54) **GARDEN LIGHT**

(71) Applicant: **Wei Zhou**, Shenzhen (CN)

(72) Inventor: **Wei Zhou**, Shenzhen (CN)

(73) Assignee: **Guangdong Sun Rise Industrial Co., Ltd**, Dongguan (CN)

(**) Term: **15 Years**

(21) Appl. No.: **29/675,247**

(22) Filed: **Dec. 29, 2018**

(51) **LOC (12) Cl.** **26-05**

(52) **U.S. Cl.**
USPC **D26/67**

(58) **Field of Classification Search**
USPC D26/67-71
CPC F21S 8/08; F21S 8/081; F21S 8/083; F21S 8/088; F21S 9/03; F21S 9/037; F21V 21/0824; F21W 2111/02; F21W 2131/109
See application file for complete search history.

(56) **References Cited**

U.S. PATENT DOCUMENTS

- 3,721,516 A * 3/1973 Reese F21L 17/00 431/202
- D234,809 S * 4/1975 Delin D26/67

- D234,968 S * 4/1975 Ervin D26/67
- D234,971 S * 4/1975 Delin D26/67
- D371,620 S * 7/1996 Cool D26/106
- D541,968 S * 5/2007 Tortel D26/2
- D551,790 S * 9/2007 Richmond D26/67
- D556,933 S * 12/2007 Sanoner D26/68
- D574,535 S * 8/2008 Sanoner D26/67
- D624,683 S * 9/2010 Liang D26/68
- D625,037 S * 10/2010 Liang D26/68
- D722,190 S * 2/2015 Rommens D26/68
- D829,357 S * 9/2018 Chen D26/68

* cited by examiner

Primary Examiner — Clare E Heflin

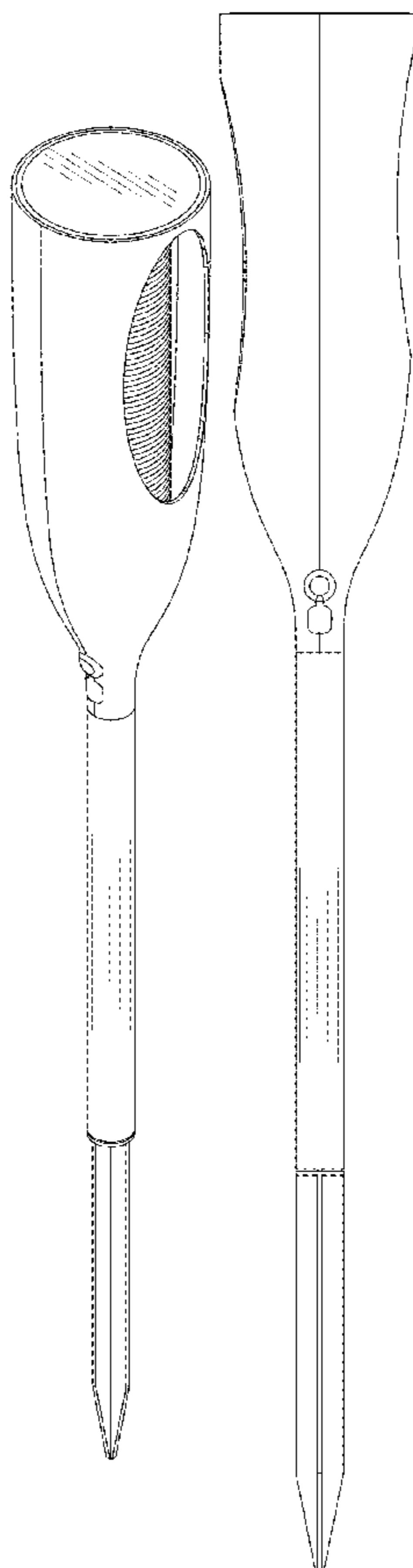
(57) **CLAIM**

The ornamental design for a garden light, as shown and described.

DESCRIPTION

FIG. 1 is a front perspective view of the garden light showing my new design;
 FIG. 2 is a rear perspective view thereof;
 FIG. 3 is a front elevational view thereof;
 FIG. 4 is a rear elevational view thereof;
 FIG. 5 is a left side elevational view thereof;
 FIG. 6 is a right side elevational view thereof;
 FIG. 7 is a top plan view thereof; and,
 FIG. 8 is a bottom plan view thereof.

1 Claim, 7 Drawing Sheets



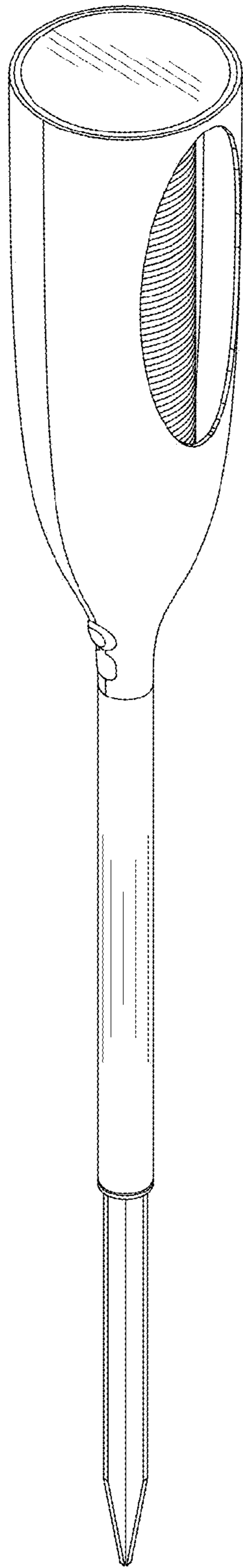


FIG. 1

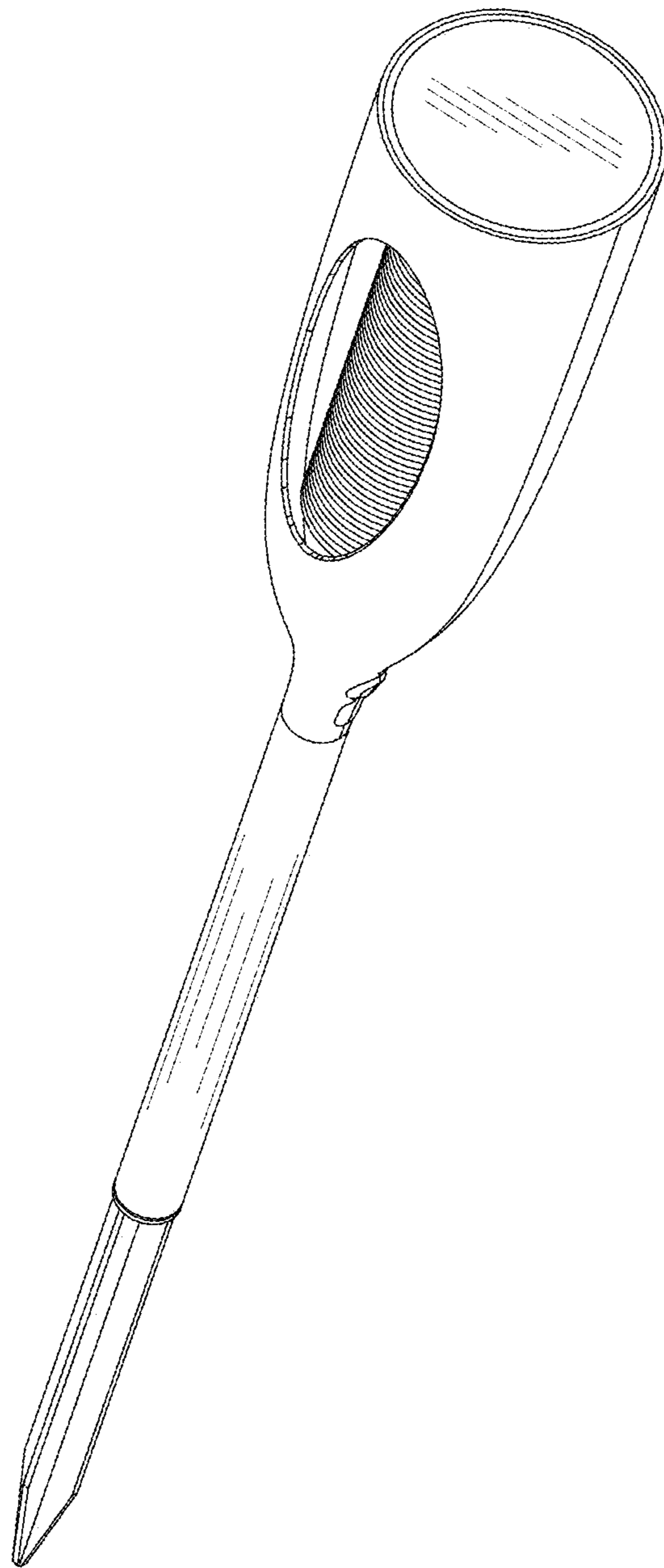


FIG. 2

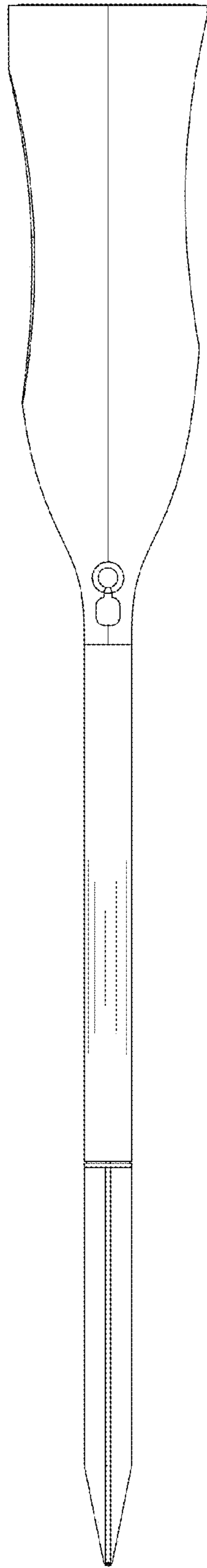


FIG. 3

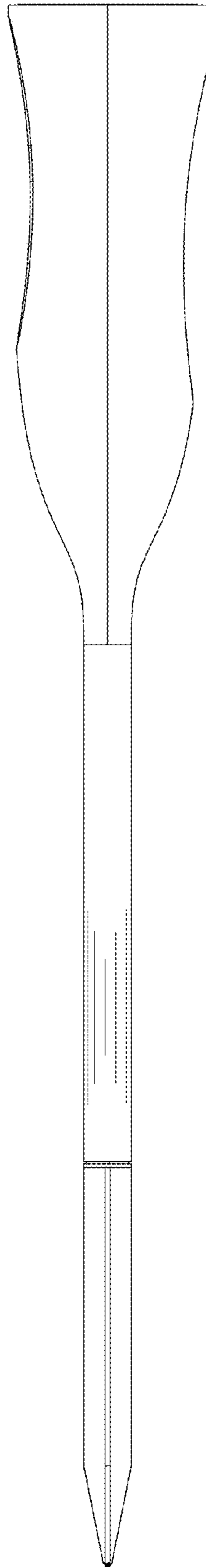


FIG. 4

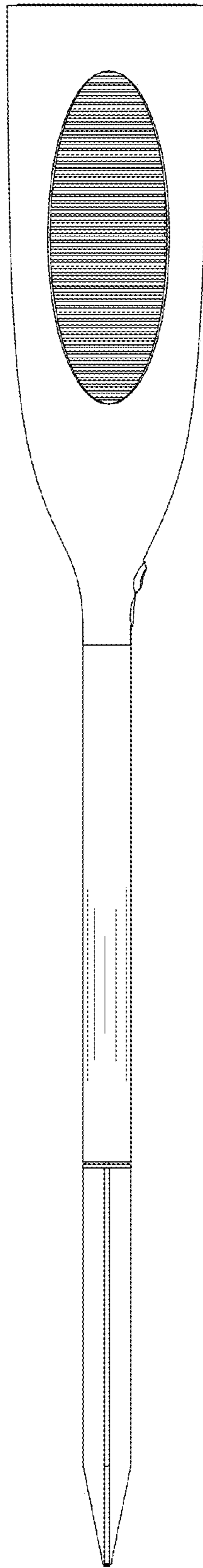


FIG. 5

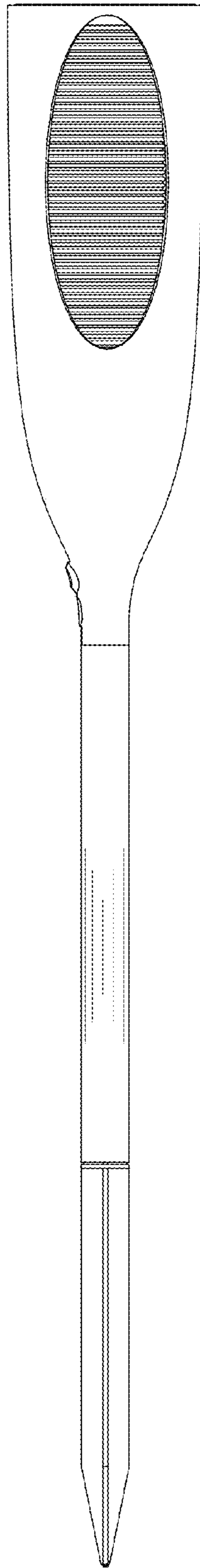


FIG. 6

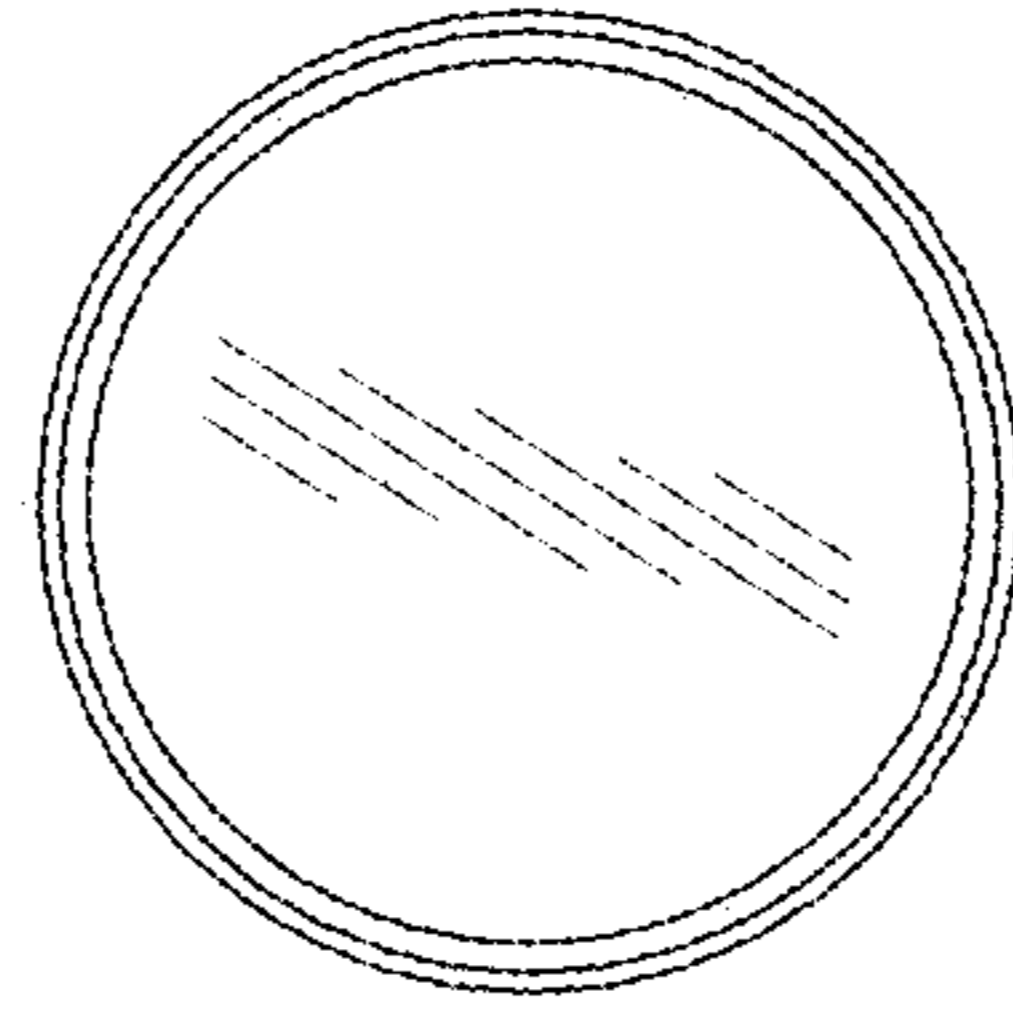


FIG. 7

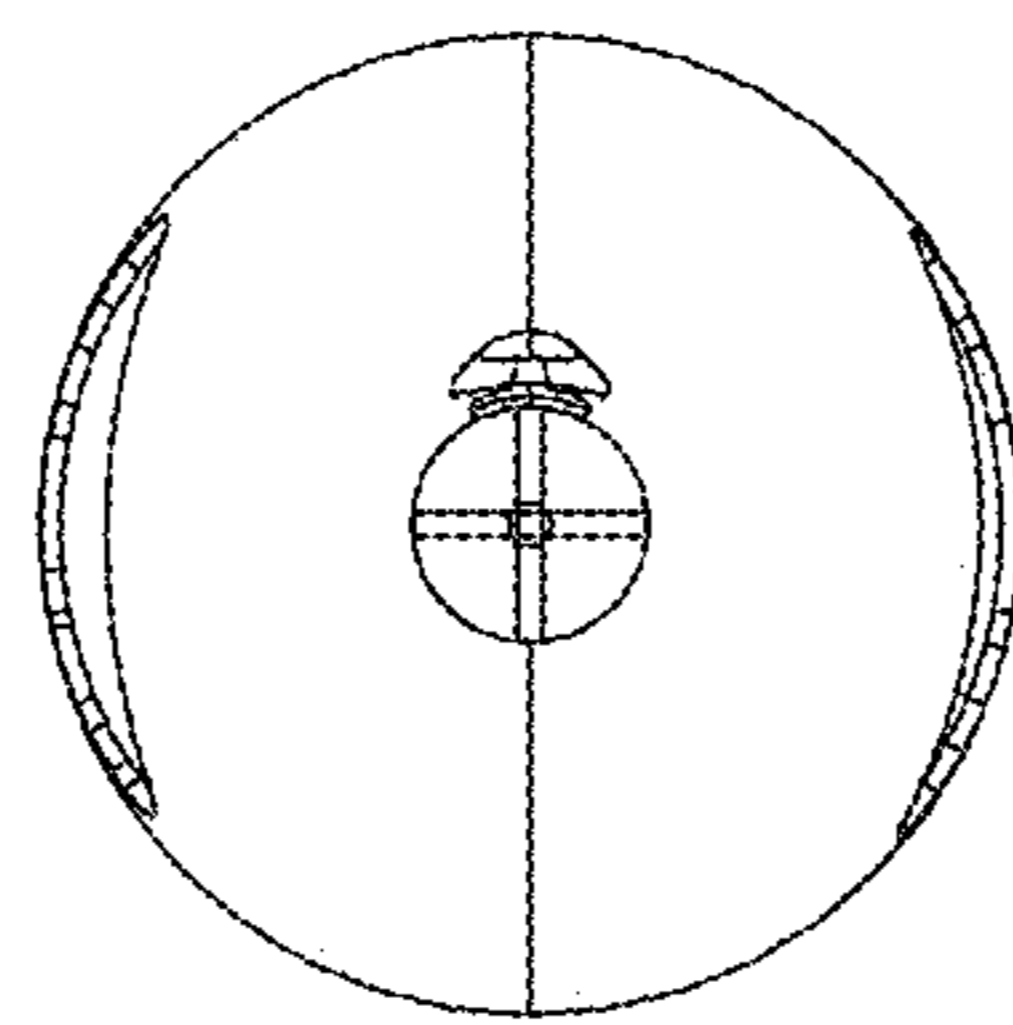


FIG. 8