



US00D882852S

(12) **United States Design Patent**
Liu

(10) **Patent No.:** **US D882,852 S**
(45) **Date of Patent:** **** Apr. 28, 2020**

(54) **GARDEN LAMP**

(71) Applicant: **Kexian Liu**, Hubei (CN)

(72) Inventor: **Kexian Liu**, Hubei (CN)

(**) Term: **15 Years**

(21) Appl. No.: **29/631,657**

(22) Filed: **Jan. 2, 2018**

(51) **LOC (12) Cl.** **26-05**

(52) **U.S. Cl.**
USPC **D26/67; D26/63**

(58) **Field of Classification Search**
USPC D26/67-71, 63
CPC F21S 8/08; F21S 8/081; F21S 8/083; F21S
8/088; F21S 9/03; F21S 9/037; F21V
21/0824; F21W 2111/02; F21W 2131/109
See application file for complete search history.

(56) **References Cited**

U.S. PATENT DOCUMENTS

D79,859 S *	11/1929	Spieth	D26/63
D149,124 S *	3/1948	Hewitt	D26/63
D589,192 S *	3/2009	Sabernig	D26/63
RE41,050 E *	12/2009	Panasewicz	F21V 21/0824 353/119
D625,871 S *	10/2010	Huang	D26/63
D632,414 S *	2/2011	Croce	D26/63
D649,671 S *	11/2011	Ferro	D26/63
D745,202 S *	12/2015	Guercio	D26/63
D778,478 S *	2/2017	Khubani	D26/63
D790,100 S *	6/2017	Jadhav	D26/63
D827,897 S *	9/2018	Yang	D26/63

D837,429 S *	1/2019	Yu	D26/63
D849,981 S *	5/2019	Hwa	D26/63
D865,253 S *	10/2019	Yang	D26/63
D866,836 S *	11/2019	Ji	D26/63
2017/0191644 A1 *	7/2017	Khubani	F21V 21/15

OTHER PUBLICATIONS

RAB Lighting Spotlight model No. HBLED10A from rabweb.com visited May 10, 2016 (Year: 2016).*

Alina Grande 12" Tall 2700K LED MonoRail Pendant with Hand Blown Glass Shade Model: 700TDALIGPWZ-LED927 from the Alina Grande Collection from Tech Lighting. From lightingdirect.com visited Jan. 23, 2020 (Year: 2020).*

Egg Shape Full Star Effect Laser Christmas Light Projector from ecw.com visited Jan. 23, 2020 (Year: 2020).*

* cited by examiner

Primary Examiner — Clare E Heflin

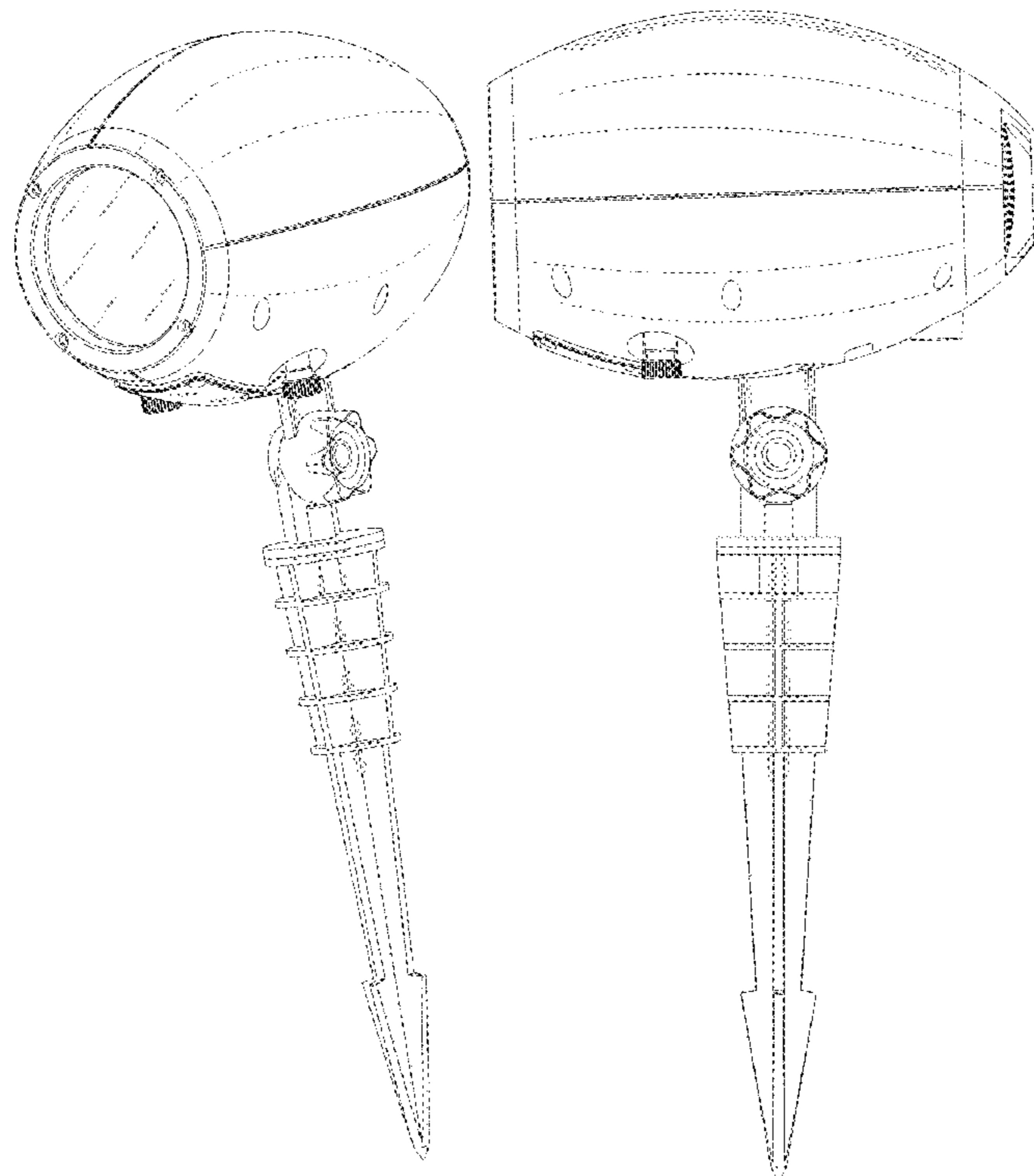
(57) **CLAIM**

I claim the ornamental design for a garden lamp, as shown and described.

DESCRIPTION

FIG. 1 is a perspective view of a garden lamp showing my new design;
FIG. 2 is a front elevational view thereof;
FIG. 3 is a rear elevational view thereof;
FIG. 4 is a left side elevational view thereof;
FIG. 5 is a right side elevational view thereof;
FIG. 6 is a top plan view thereof; and,
FIG. 7 is a bottom plan view thereof.

1 Claim, 7 Drawing Sheets



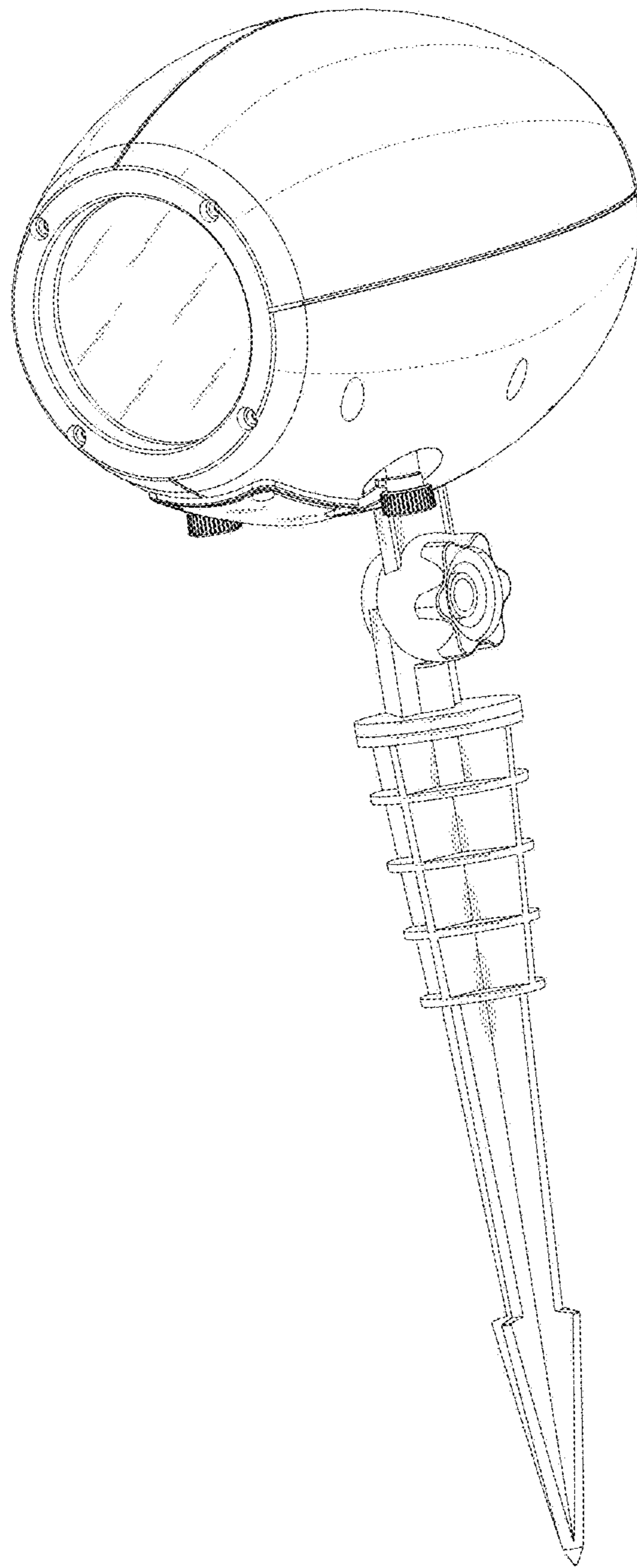


FIG.1

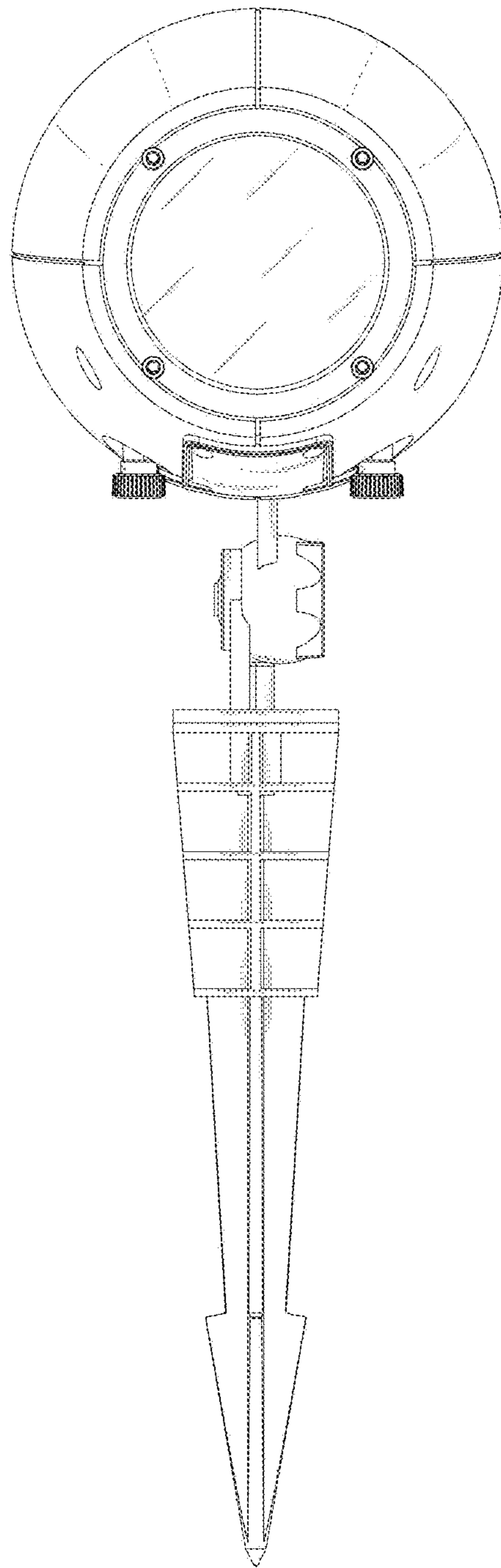


FIG.2

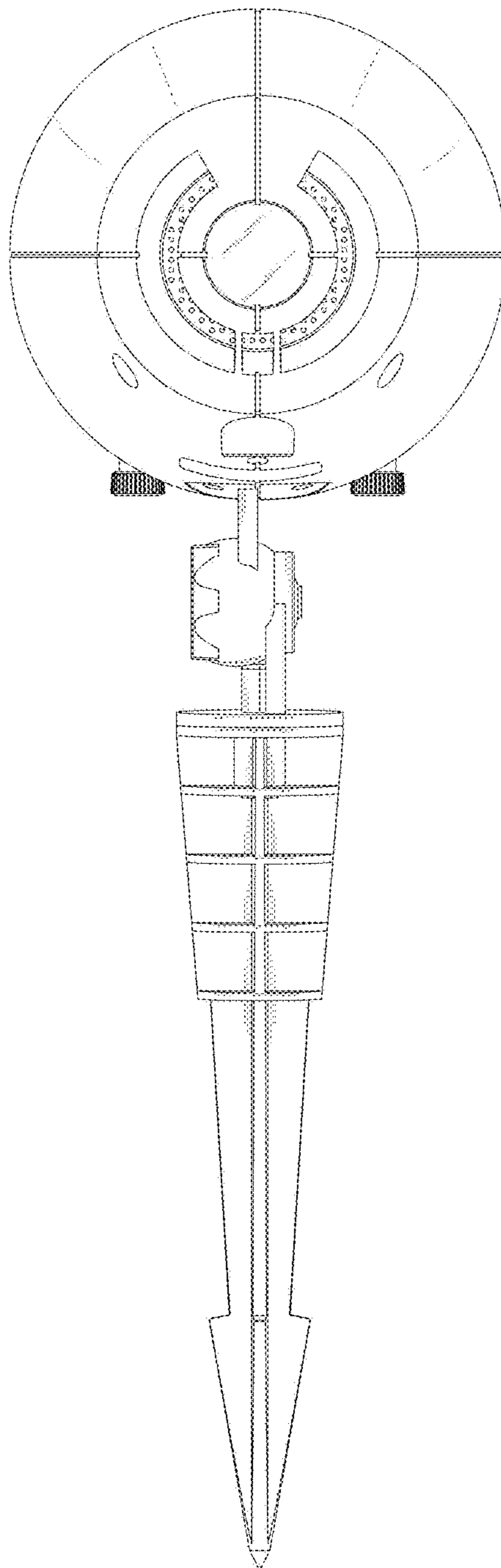


FIG.3

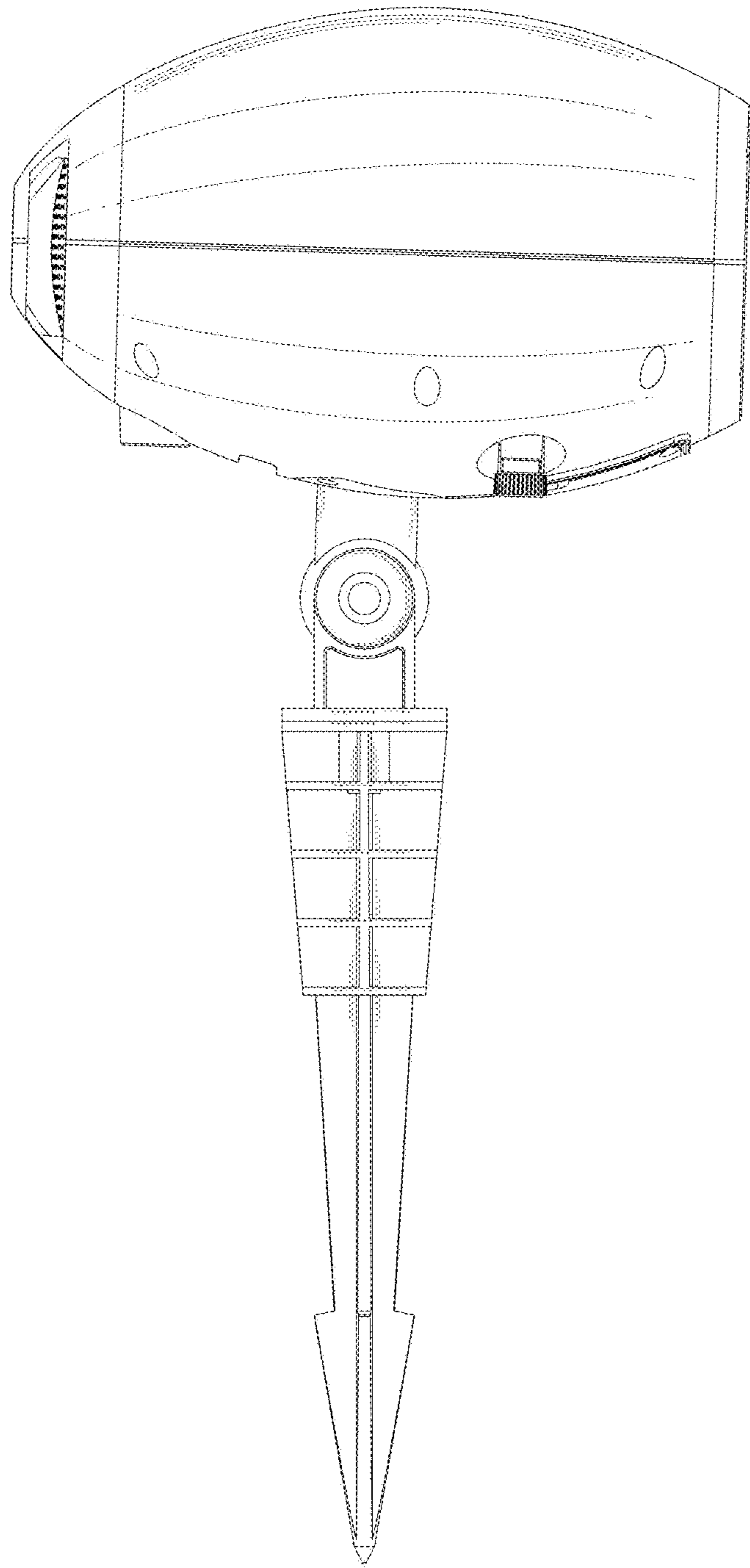


FIG.4

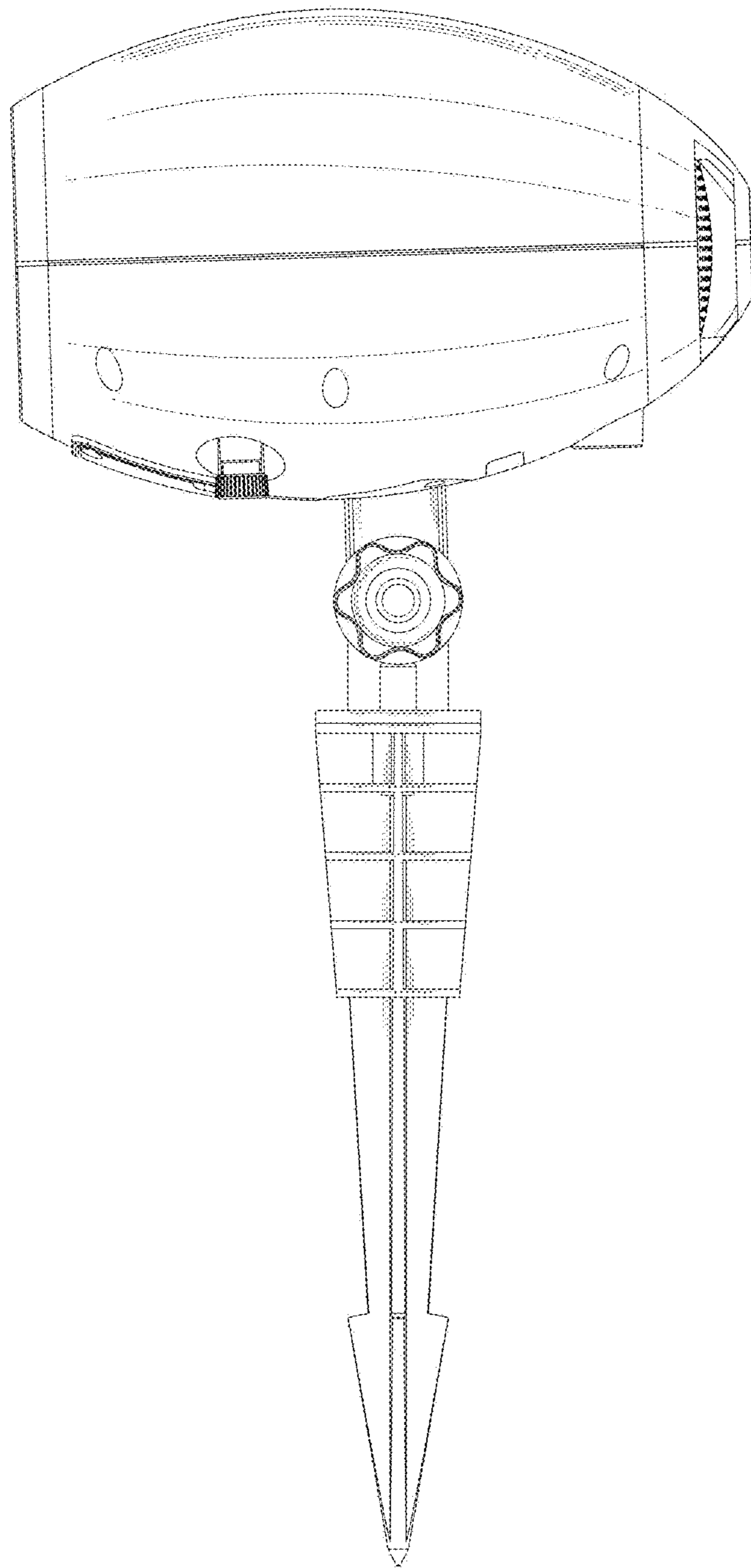


FIG.5

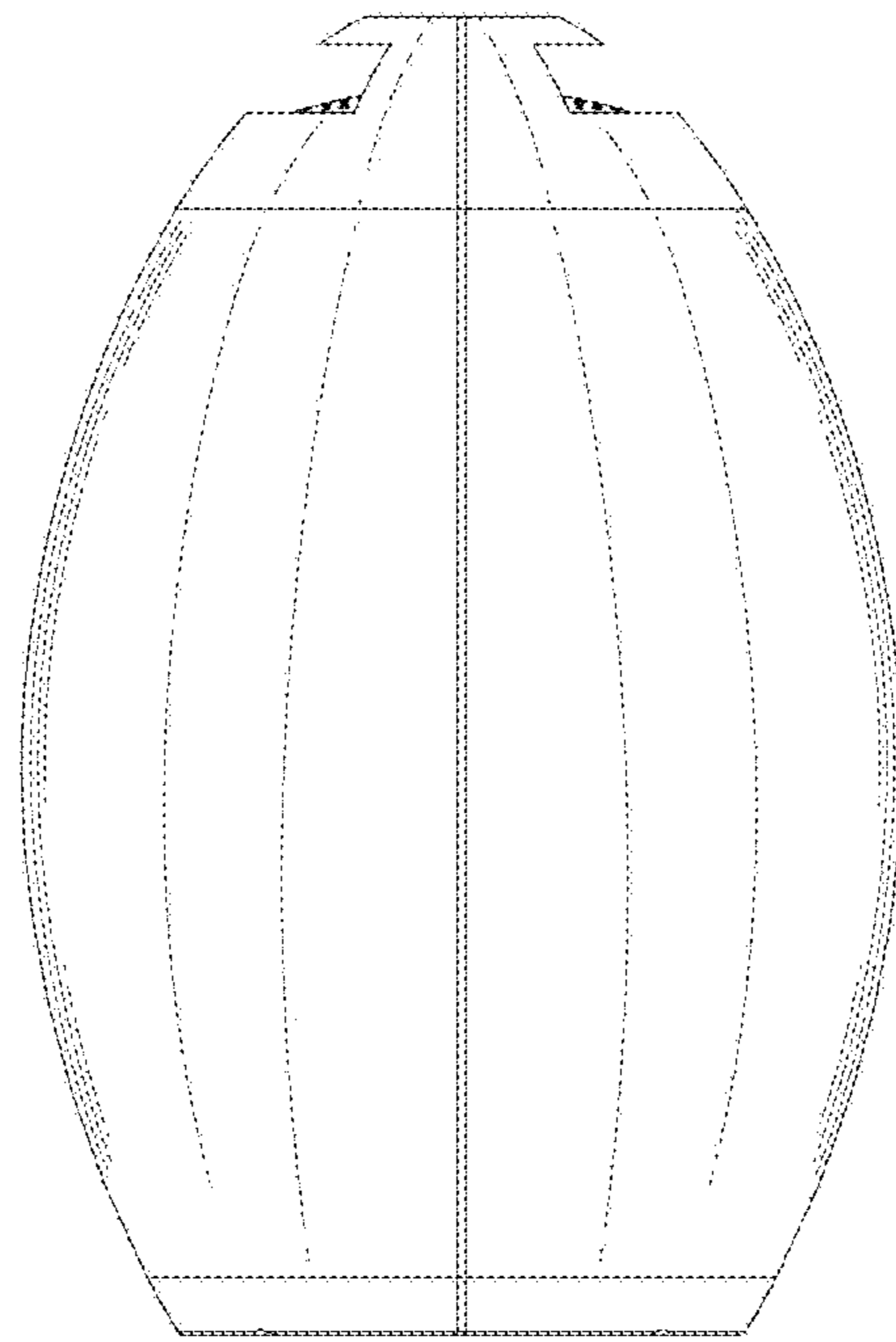


FIG.6

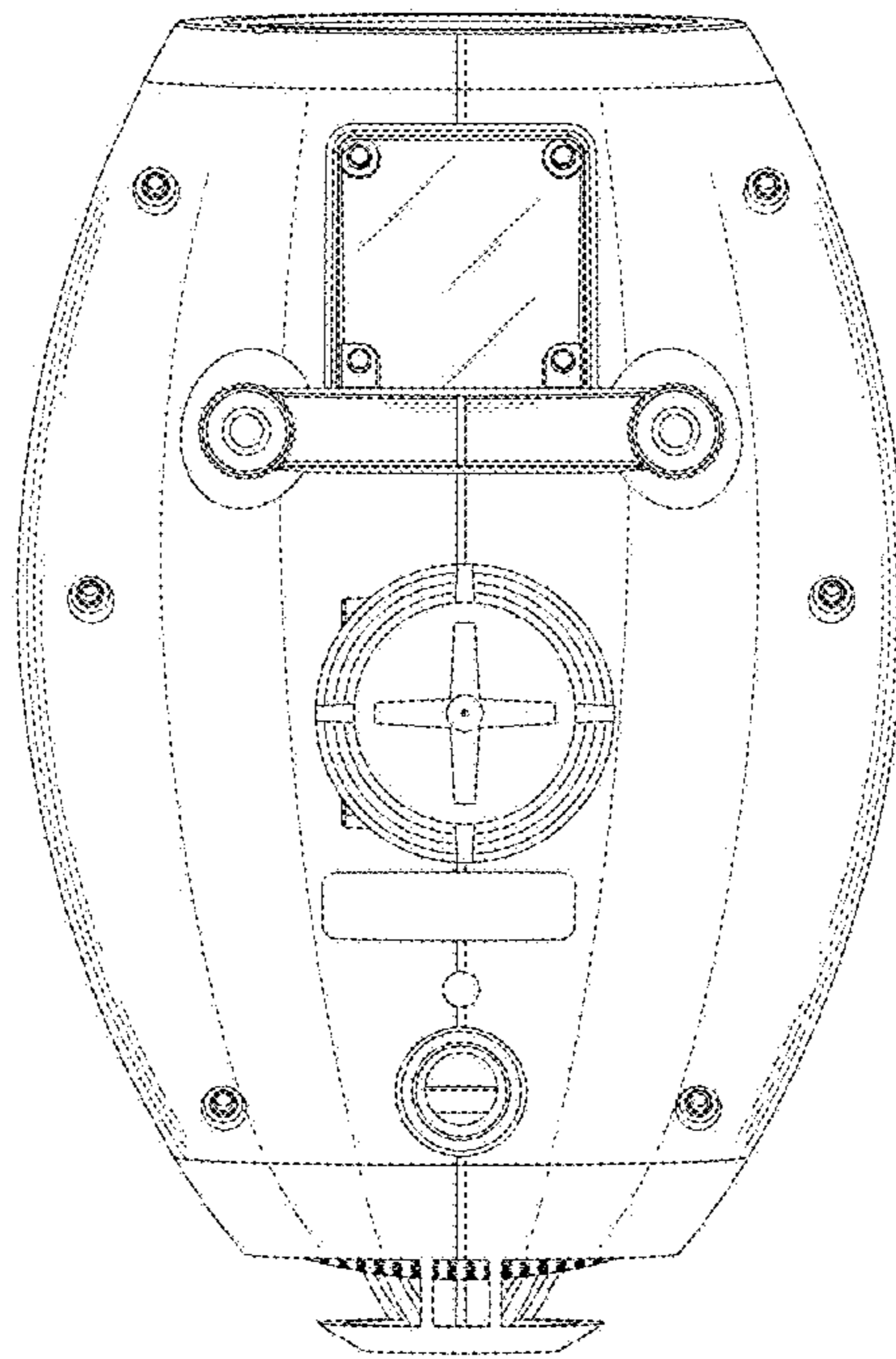


FIG. 7