



US00D882849S

(12) **United States Design Patent**  
**Mai**

(10) **Patent No.:** **US D882,849 S**

(45) **Date of Patent:** **\*\* Apr. 28, 2020**

(54) **LAMP**

(71) Applicant: **Quanhua Mai**, Zhongshan (CN)

(72) Inventor: **Quanhua Mai**, Zhongshan (CN)

(\*\*) Term: **15 Years**

(21) Appl. No.: **29/650,498**

(22) Filed: **Jun. 7, 2018**

(51) **LOC (12) Cl.** ..... **26-03**

(52) **U.S. Cl.**  
USPC ..... **D26/63**

(58) **Field of Classification Search**

USPC ..... D26/60-66, 72, 85, 87, 92  
CPC . F21K 9/00; F21V 5/007; F21V 7/005; F21V  
7/0083; F21V 11/04; F21V 11/14; F21V  
15/01; F21V 19/001; F21V 21/002; F21V  
21/06; F21V 21/0885; F21V 21/145;  
F21V 21/30; F21V 33/0024; F21V 7/05  
See application file for complete search history.

(56) **References Cited**

**U.S. PATENT DOCUMENTS**

D480,831 S \* 10/2003 Palo ..... D26/63  
D570,024 S \* 5/2008 Guercio ..... D26/63

D744,142 S \* 11/2015 Bobel ..... D26/63  
D788,966 S \* 6/2017 Gan ..... D26/63  
D806,300 S \* 12/2017 York ..... D26/63  
D836,230 S \* 12/2018 Guercio ..... D26/63  
D839,464 S \* 1/2019 Chen ..... D26/63  
D867,643 S \* 11/2019 Evason ..... D26/63

\* cited by examiner

*Primary Examiner* — Brian N. Vinson

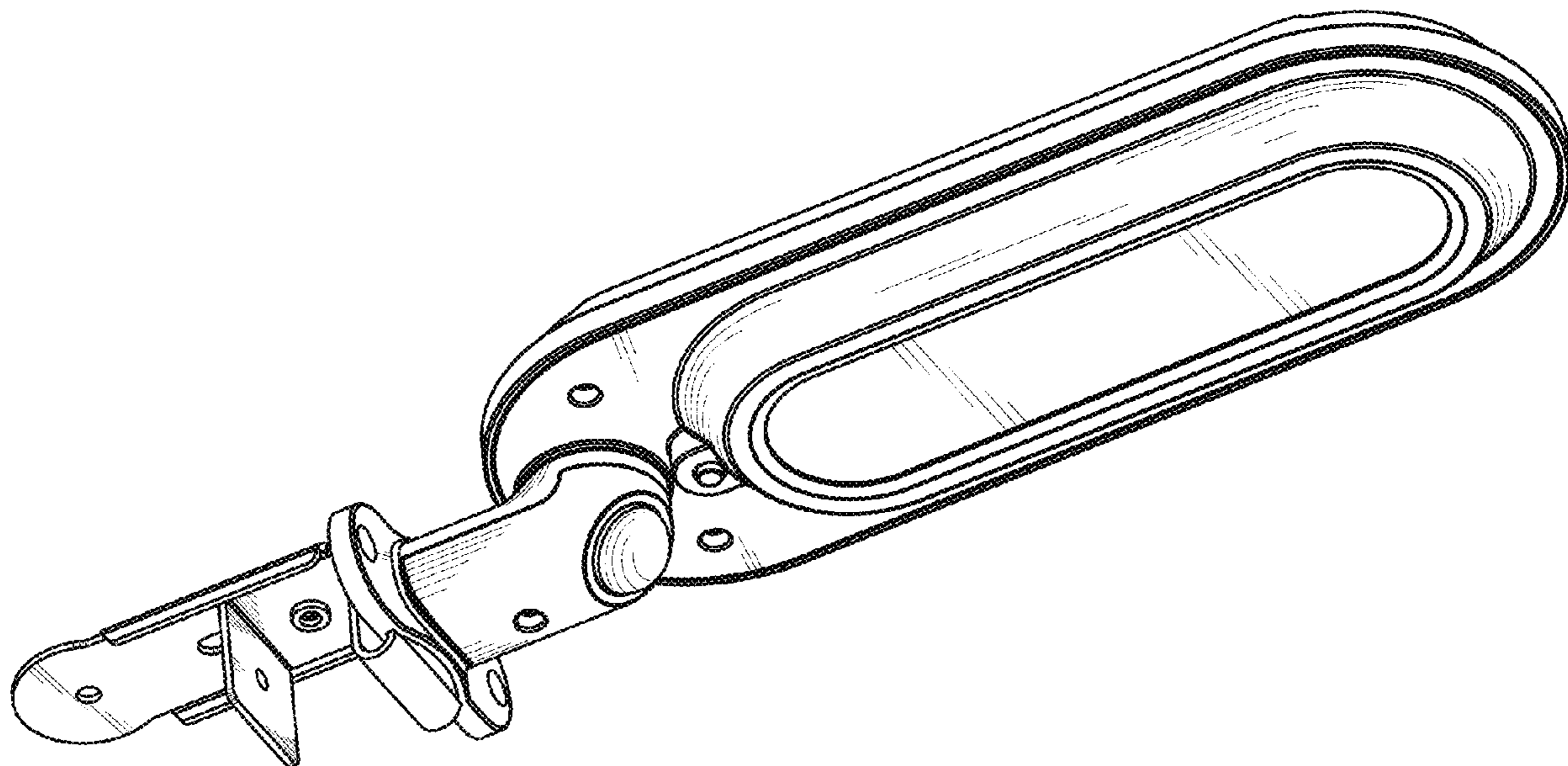
(57) **CLAIM**

The ornamental design for a lamp, as shown and described.

**DESCRIPTION**

FIG. 1 is a front perspective view of a lamp showing my new design;  
FIG. 2 is a front elevational view thereof;  
FIG. 3 is a rear elevational view thereof;  
FIG. 4 is a left side elevational view thereof;  
FIG. 5 is a right side elevational view thereof;  
FIG. 6 is a top plan view thereof;  
FIG. 7 is a bottom plan view thereof; and,  
FIG. 8 is a rear perspective view thereof.

**1 Claim, 6 Drawing Sheets**



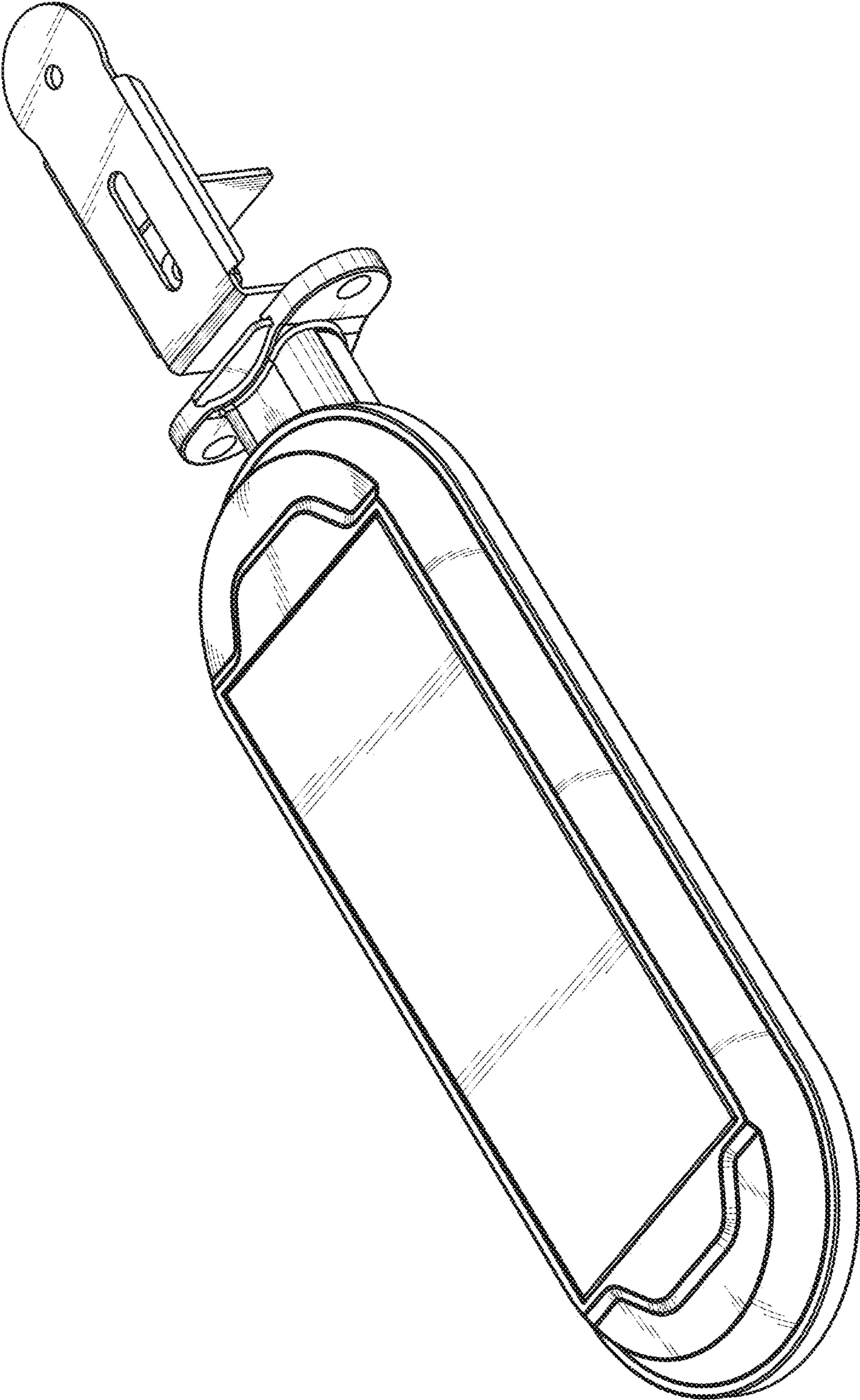


FIG. 1

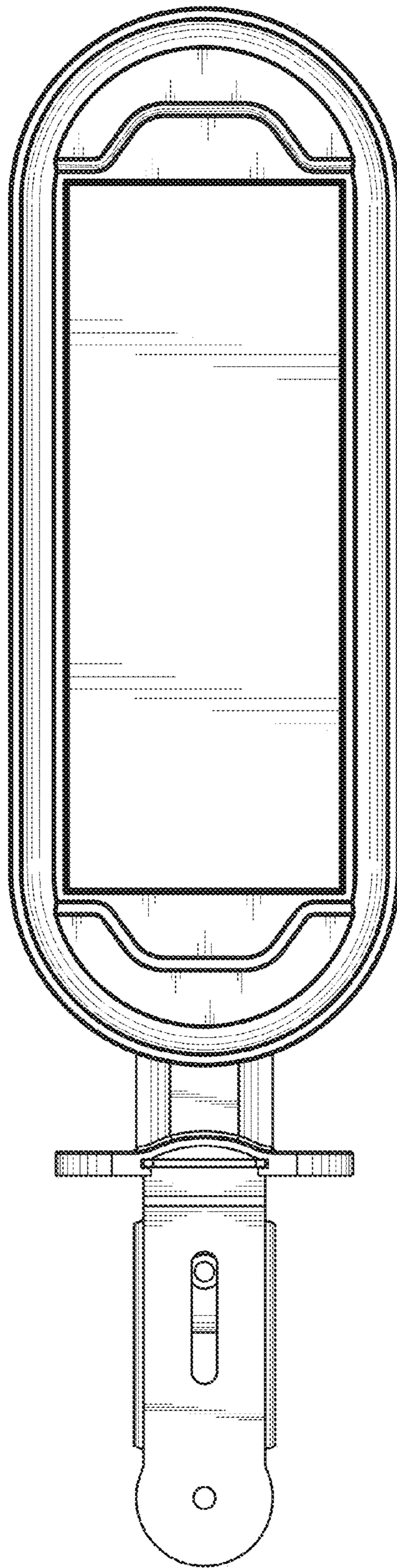


FIG.2

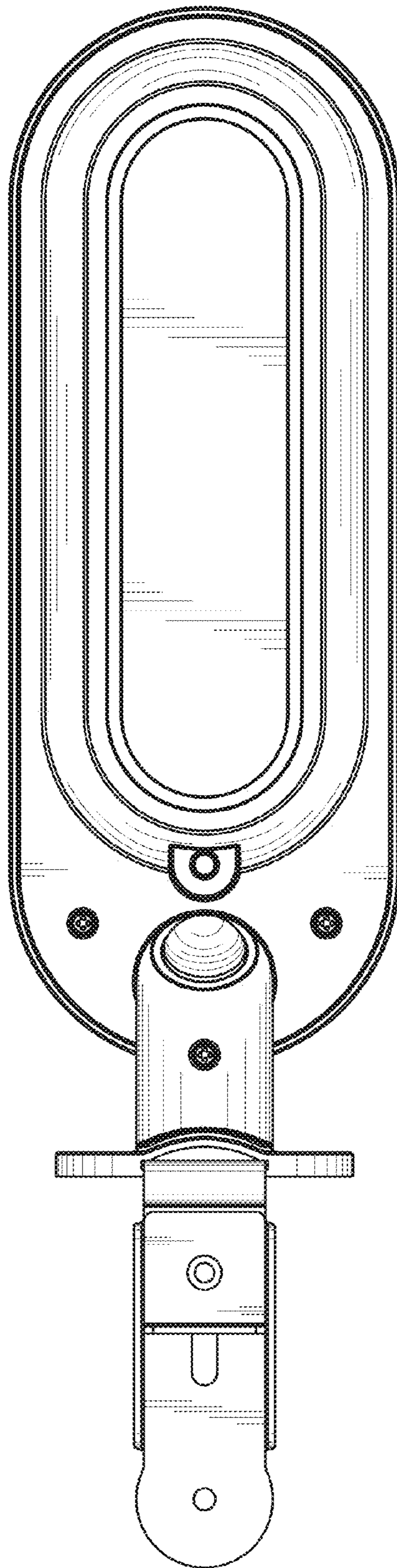


FIG.3

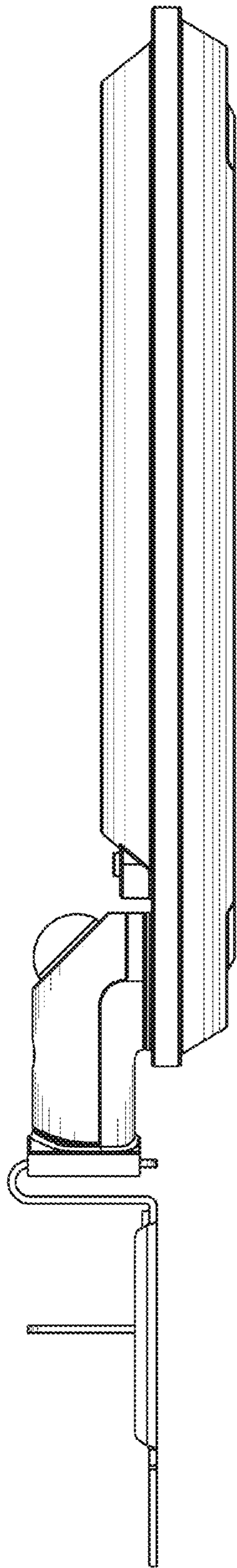


FIG. 4

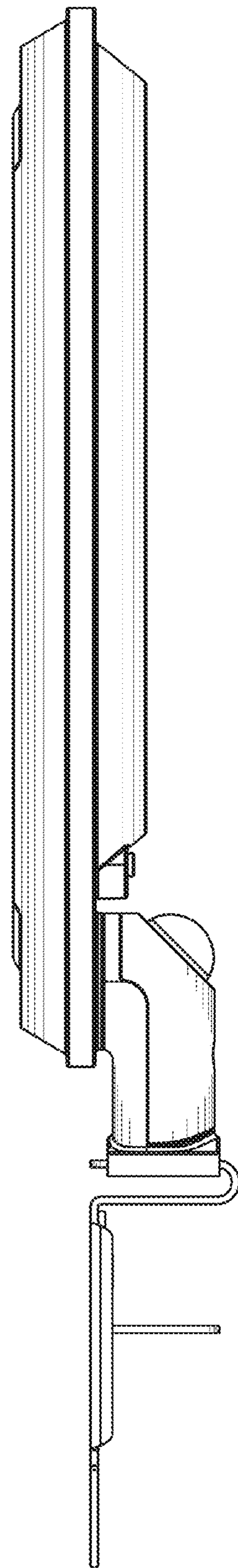


FIG. 5

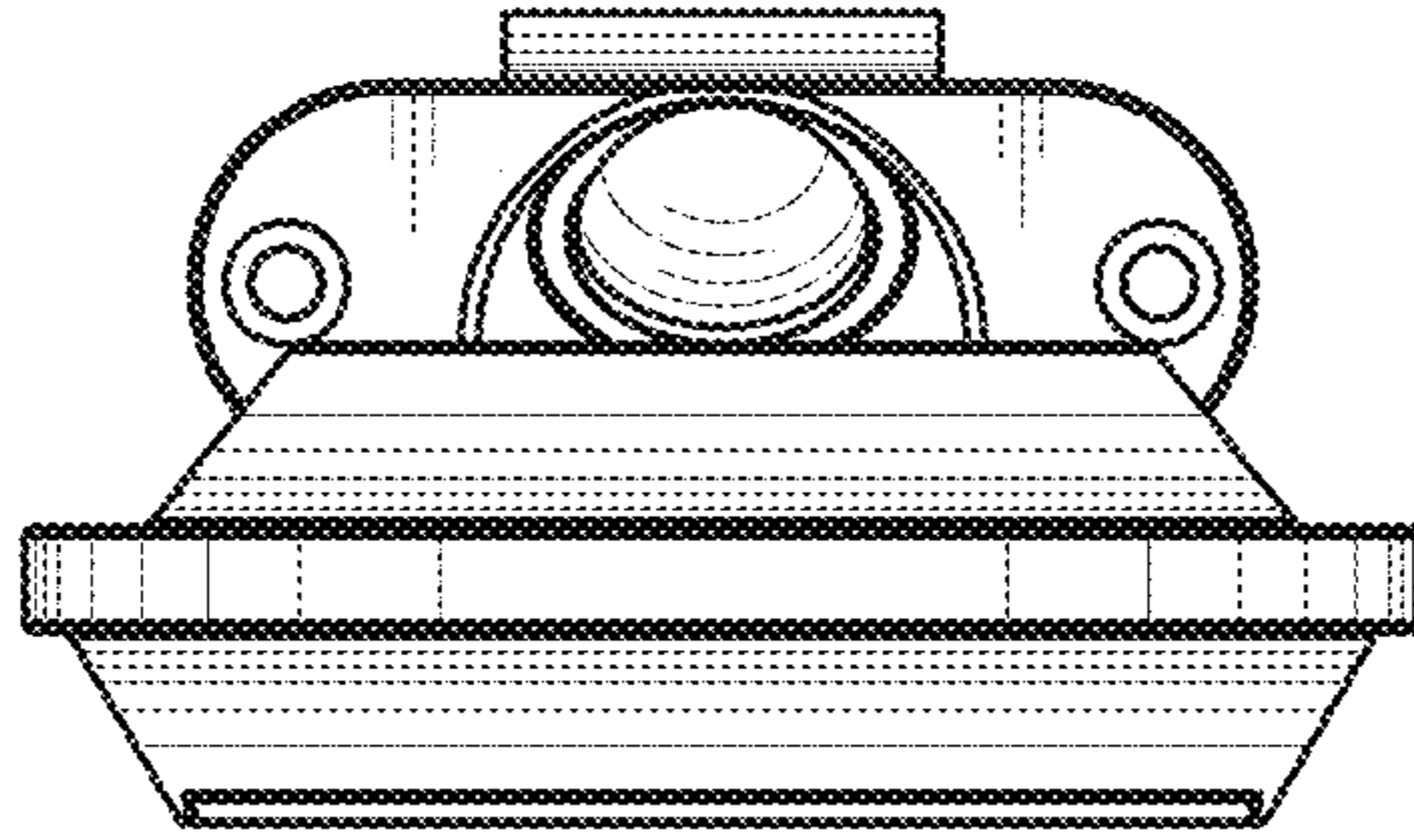


FIG. 6

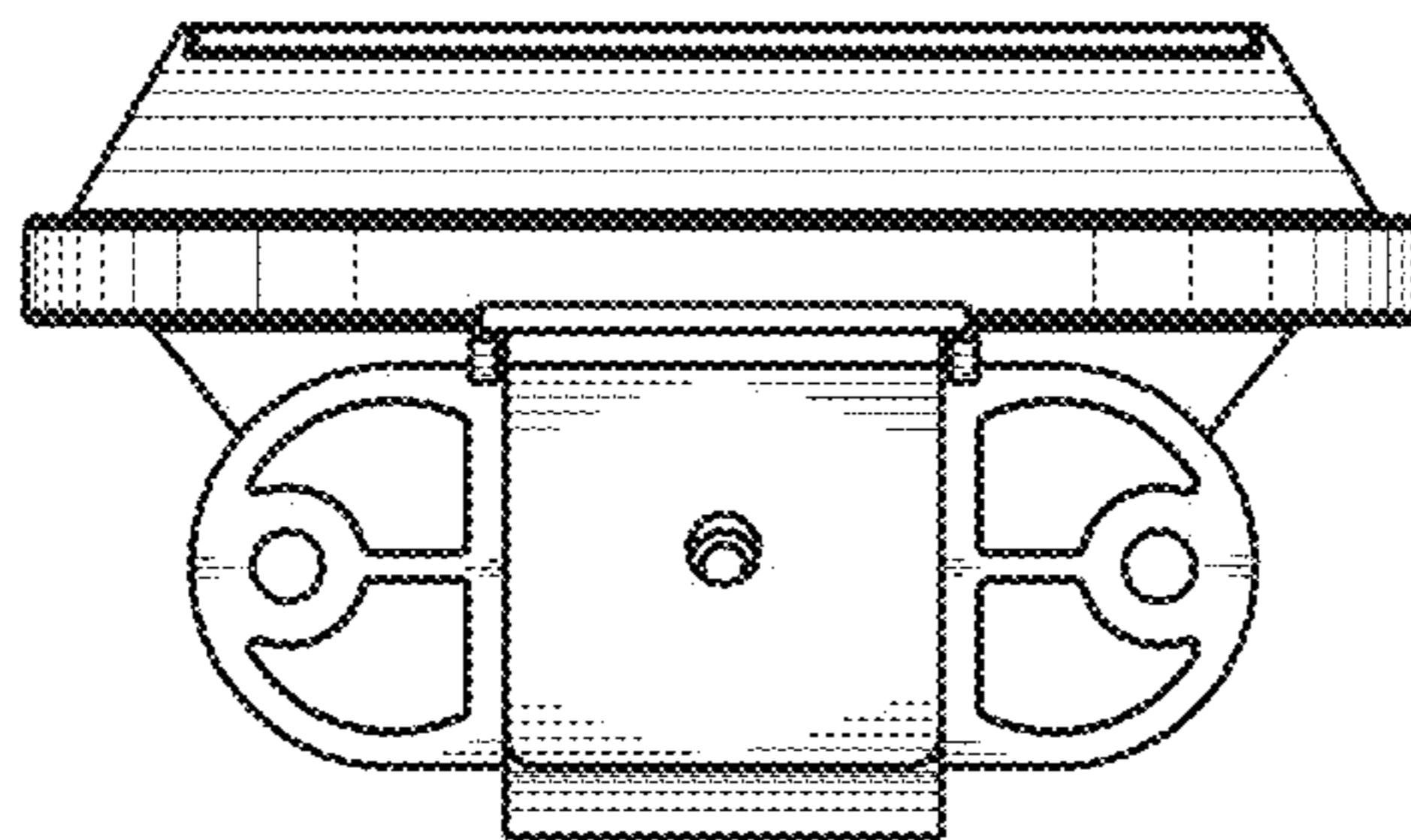


FIG. 7

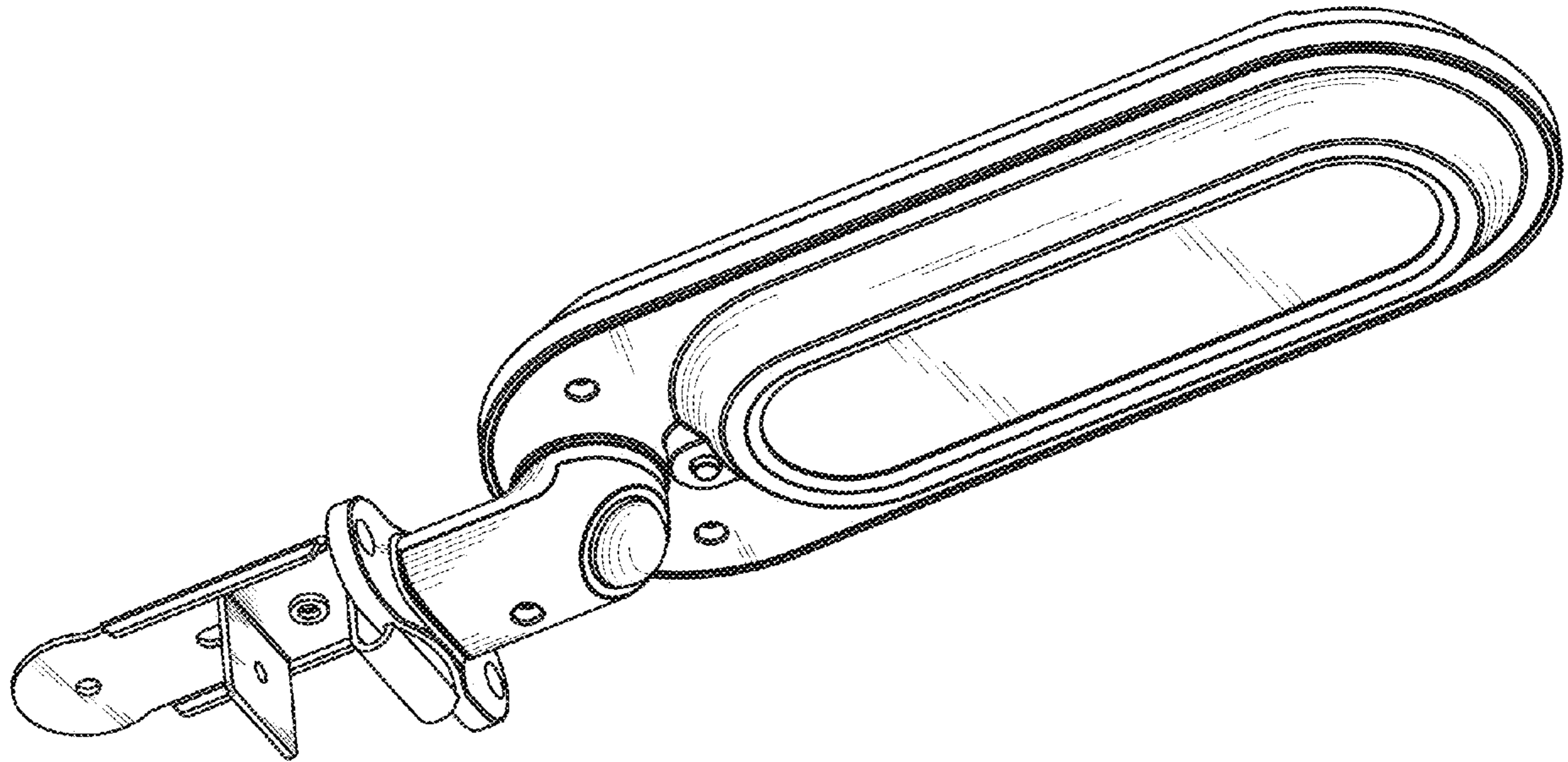


FIG.8