



US00D882848S

(12) **United States Design Patent**  
**Zhang**

(10) **Patent No.:** **US D882,848 S**

(45) **Date of Patent:** **\*\* Apr. 28, 2020**

(54) **DUAL HEADED WALL LIGHT**

(71) Applicant: **Shenzhen City Yuyiyuan Technology Co., Ltd.**, Guangdong (CN)

(72) Inventor: **Donglin Zhang**, Guangdong (CN)

(\*\*) Term: **15 Years**

(21) Appl. No.: **29/647,140**

(22) Filed: **May 10, 2018**

(51) **LOC (12) Cl.** ..... **26-03**

(52) **U.S. Cl.**  
USPC ..... **D26/63**

(58) **Field of Classification Search**  
USPC ..... D26/24, 37, 44, 60, 61, 63-66, 72, 74, D26/80, 81, 83, 85-87, 92, 102, 113  
CPC ..... F21S 8/00; F21S 8/003; F21S 8/04; F21S 8/043; F21S 8/08; F21V 15/01; F21V 17/02; F21V 19/00; F21V 21/00; F21V 21/02; F21V 21/06; F21V 21/14; F21V 21/26; F21V 21/30; F21V 23/02; F21V 23/04; F21V 29/00; F21V 33/00; F21V 14/00; F21V 14/02

See application file for complete search history.

(56) **References Cited**

**U.S. PATENT DOCUMENTS**

D379,246 S *	5/1997	Haslam	.....	D10/106.1
D713,582 S *	9/2014	Liang	.....	D26/63
D714,481 S *	9/2014	Moeller	.....	D26/63
D757,347 S *	5/2016	Chen	.....	D26/120
D759,291 S *	6/2016	Chen	.....	D26/120
D774,231 S *	12/2016	Recker	.....	D26/63
D804,074 S *	11/2017	Fang	.....	D26/65
D826,445 S *	8/2018	Cao	.....	D26/63
10,107,480 B1 *	10/2018	Ladewig	.....	F21V 17/02
D858,845 S *	9/2019	Zhang	.....	D26/63
2019/0212003 A1 *	7/2019	Lazear	.....	F21V 3/00

**OTHER PUBLICATIONS**

Solar Lights Outdoor Hallomall Solar Security Lights, dated Apr. 12, 2018, [online], [site visited Mar. 26, 2019]. Available from Internet, URL: <https://www.amazon.com/Hallomall-Spotlights-Waterproof-360-Degree-Rotatable/dp/B07F2F13Y73> (Year: 2018).\*  
Solar Night Eyes Dual Function Motion Activated Outdoor Spotlights w/ Alarm, dated Jul. 21, 2016, [online], [site visited Mar. 26, 2019]. Available from Internet, URL: <https://www.amazon.com/Function-Motion-Activated-Outdoor-Spotlights/dp/B01IU029BO> (Year: 2016).\*

\* cited by examiner

*Primary Examiner* — Angela J Lee

*Assistant Examiner* — Shawn T Gingrich

(74) *Attorney, Agent, or Firm* — Prakash Nama; Global IP Services, PLLC

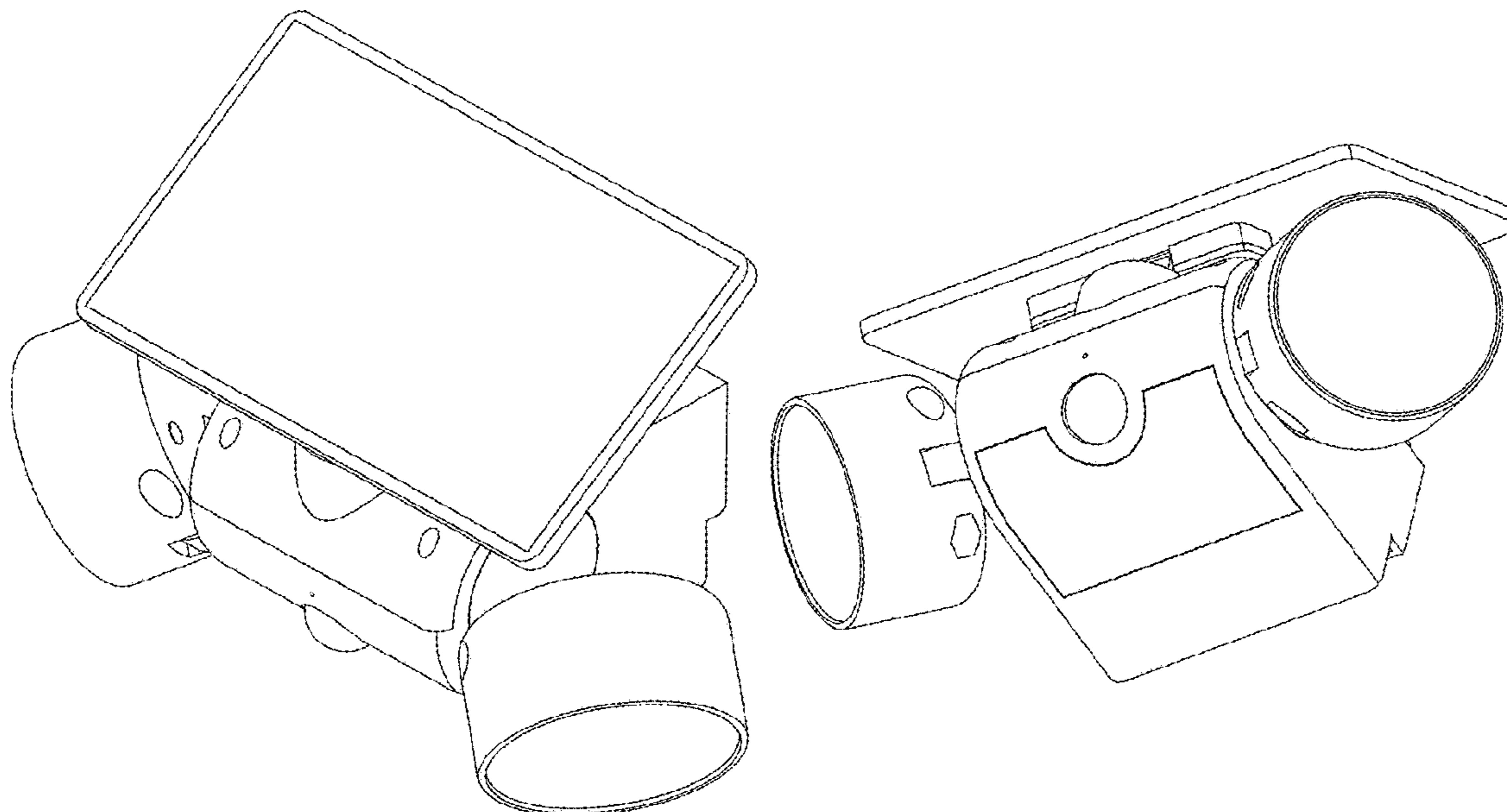
(57) **CLAIM**

The ornamental design for a dual headed wall light, as shown and described.

**DESCRIPTION**

FIG. 1 is a front elevational view of a dual headed wall light showing my new design;  
FIG. 2 is a rear elevational view thereof;  
FIG. 3 is a left side view thereof;  
FIG. 4 is a right side view thereof;  
FIG. 5 is a top plan view thereof;  
FIG. 6 is a bottom plan view thereof;  
FIG. 7 is a perspective view thereof;  
FIG. 8 is a second perspective view thereof; and,  
FIG. 9 is a third perspective view thereof.  
The broken lines in the drawings illustrate portions of the dual headed wall light that form no part of the claimed design.

**1 Claim, 9 Drawing Sheets**



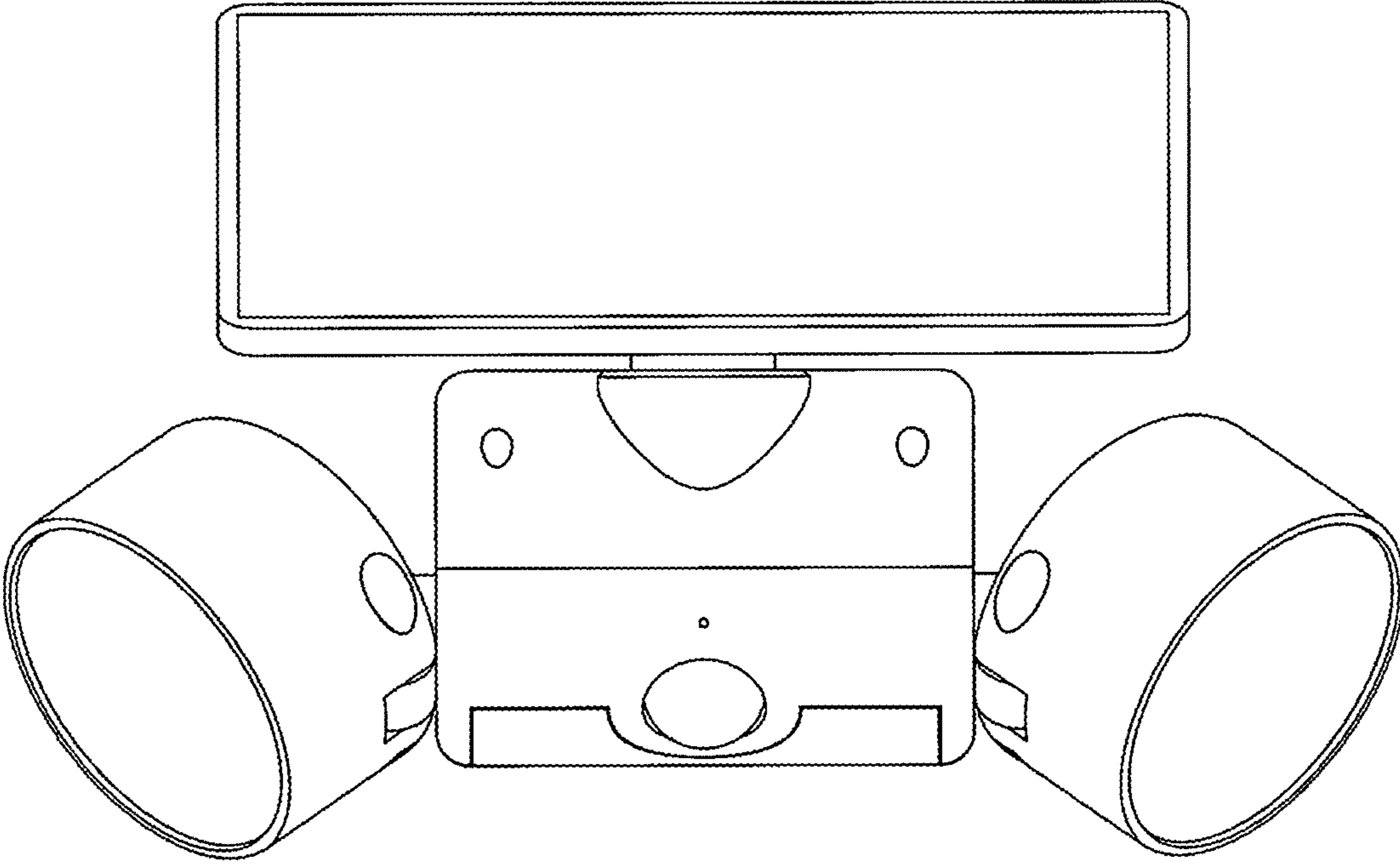


FIG. 1

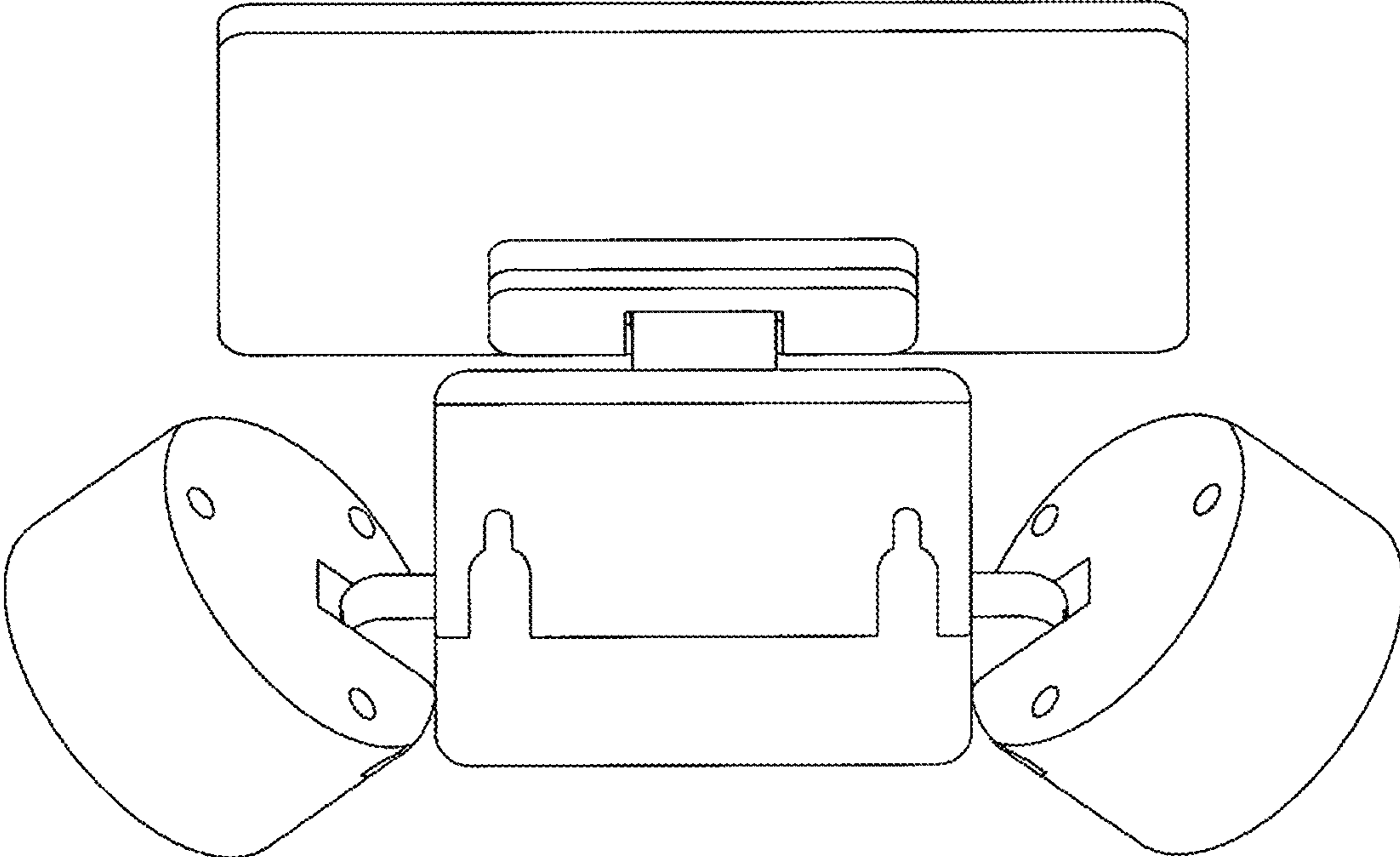
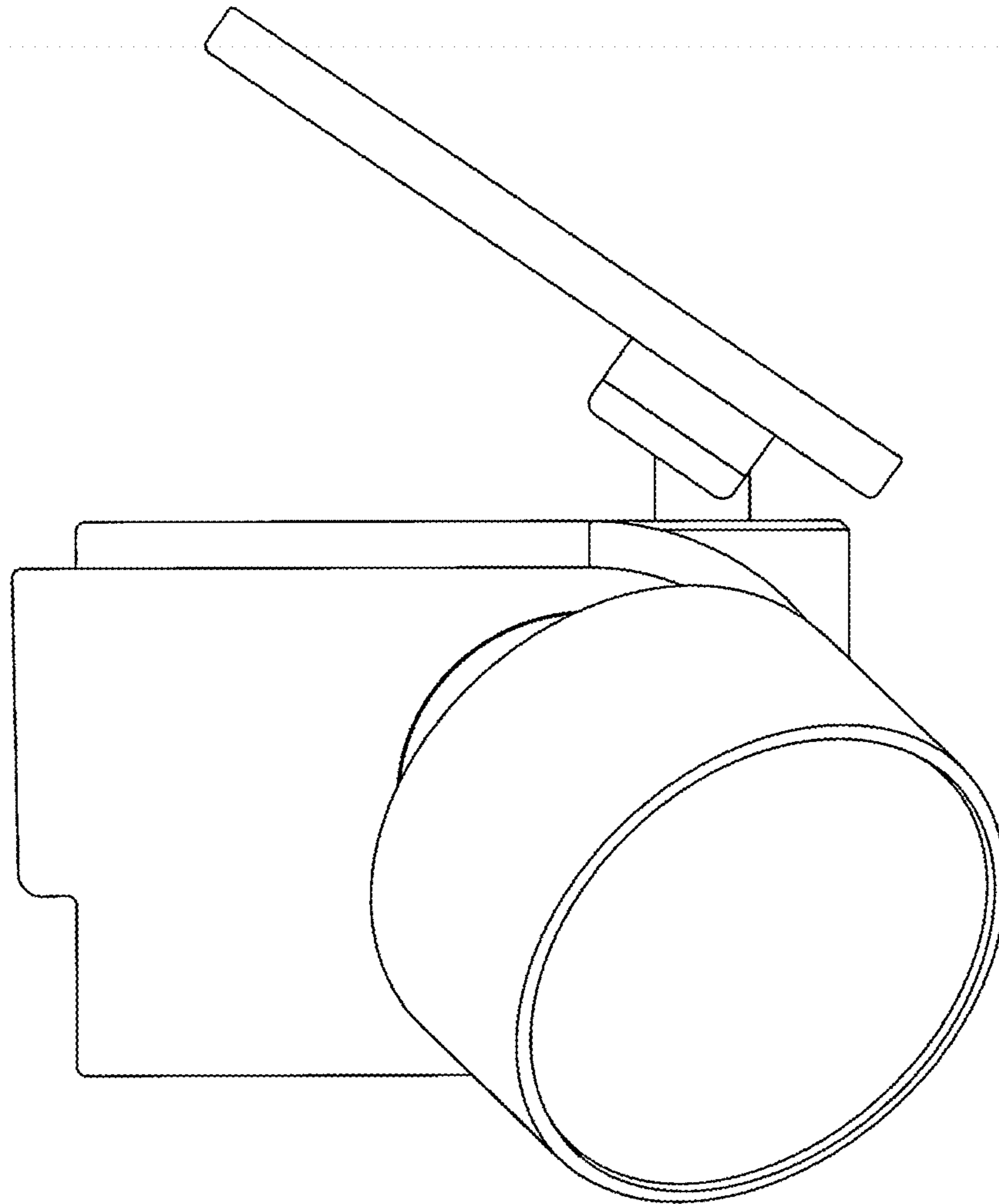


FIG. 2



**FIG. 3**

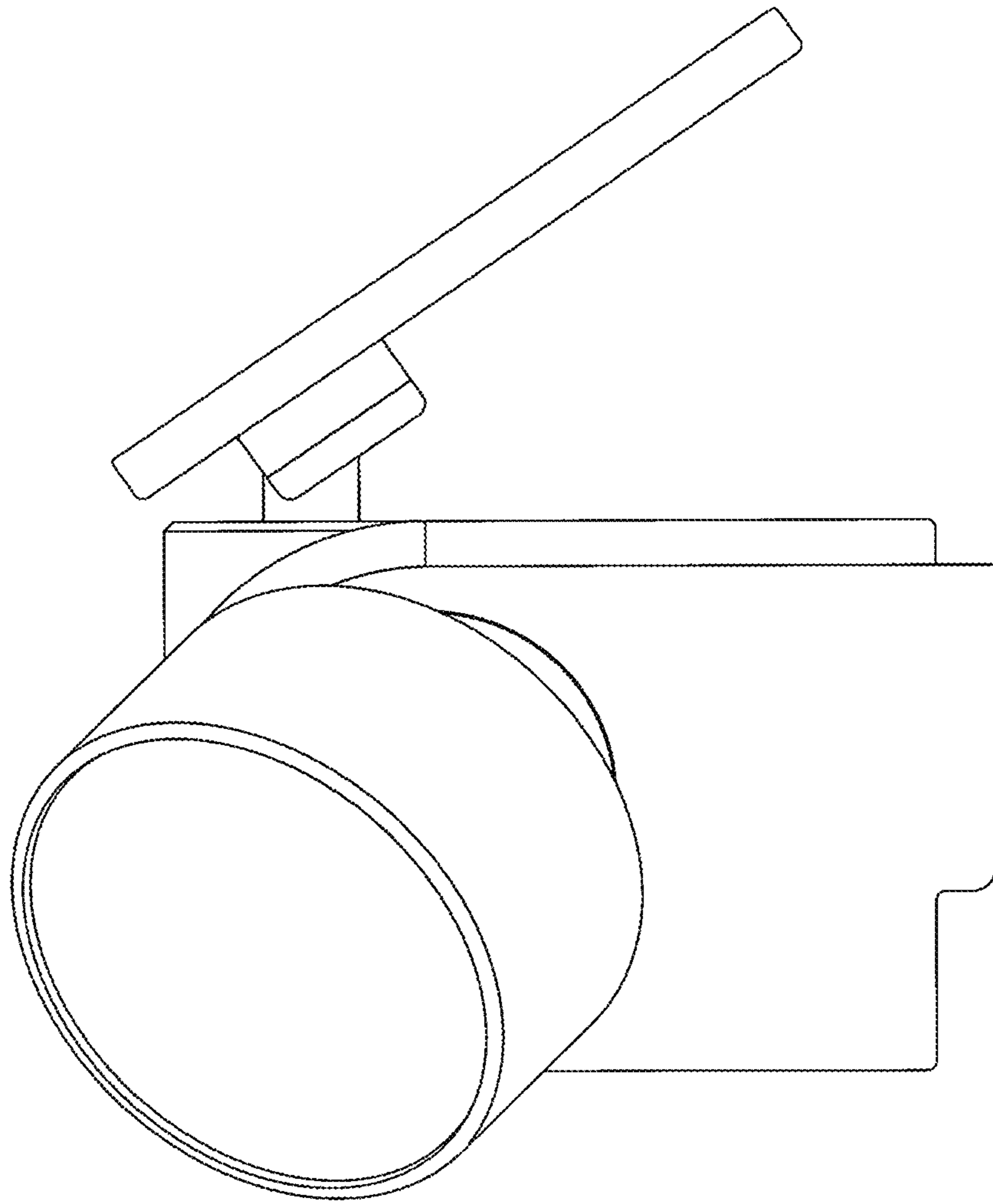


FIG. 4

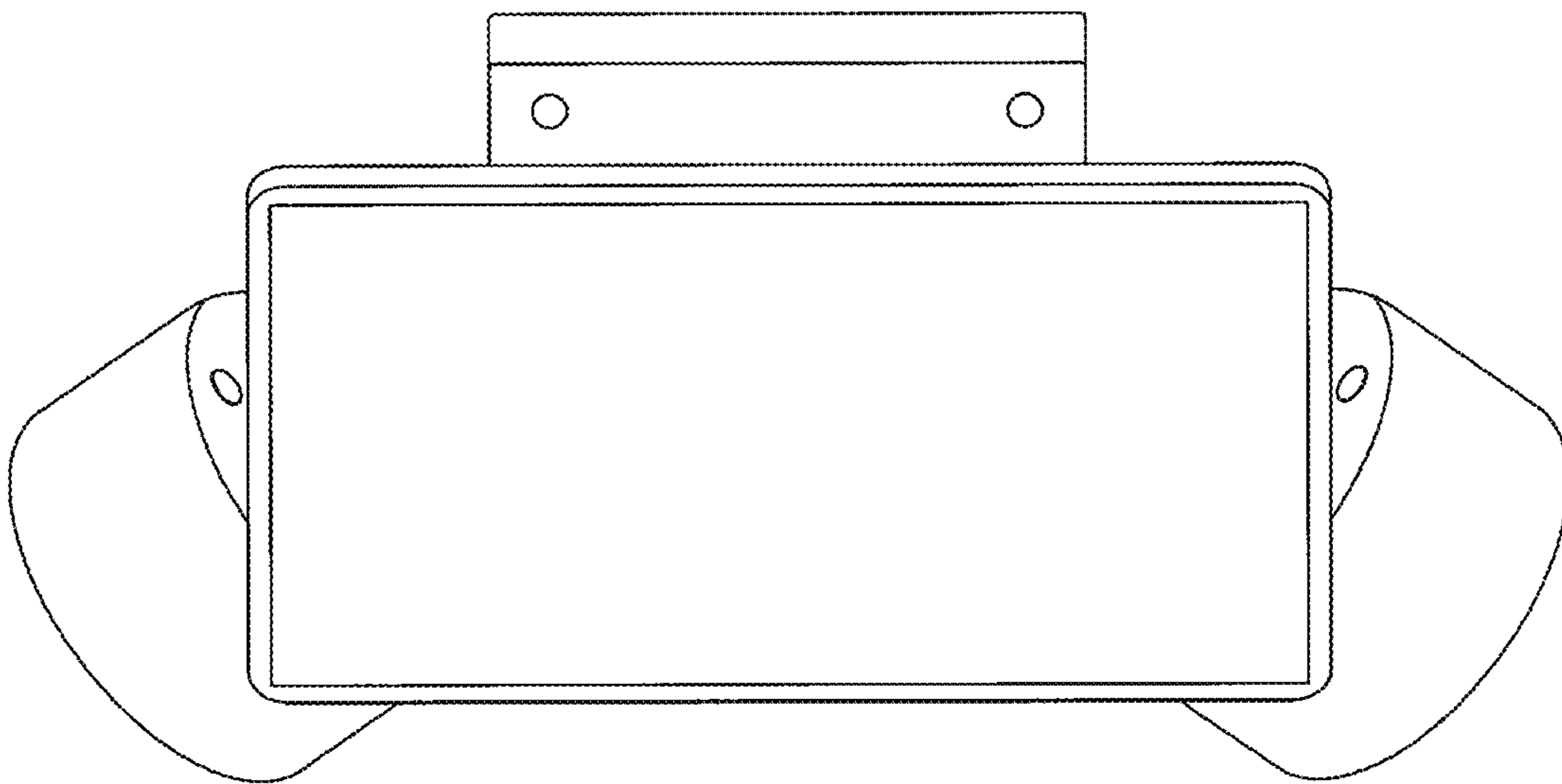


FIG. 5

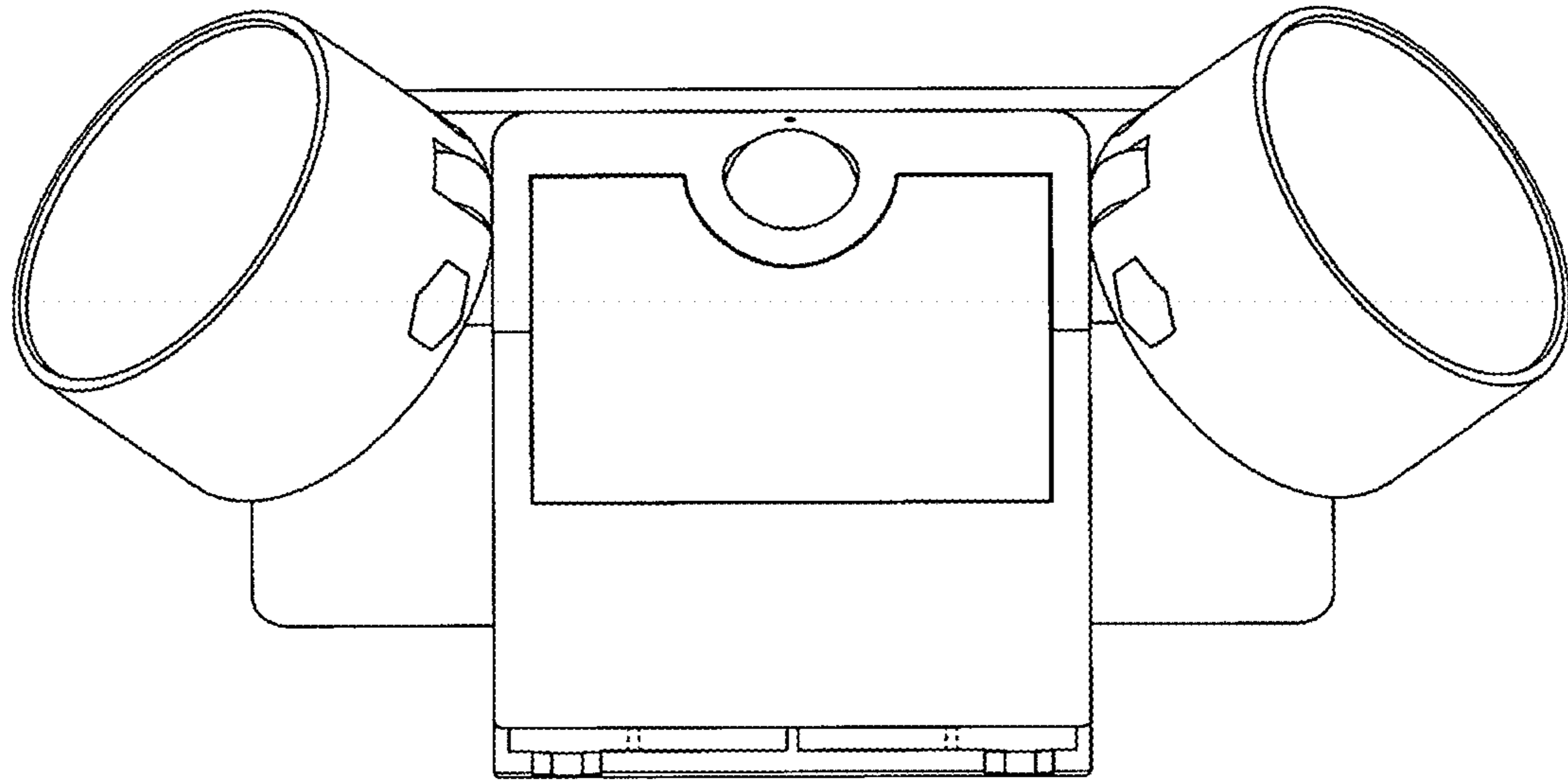


FIG. 6

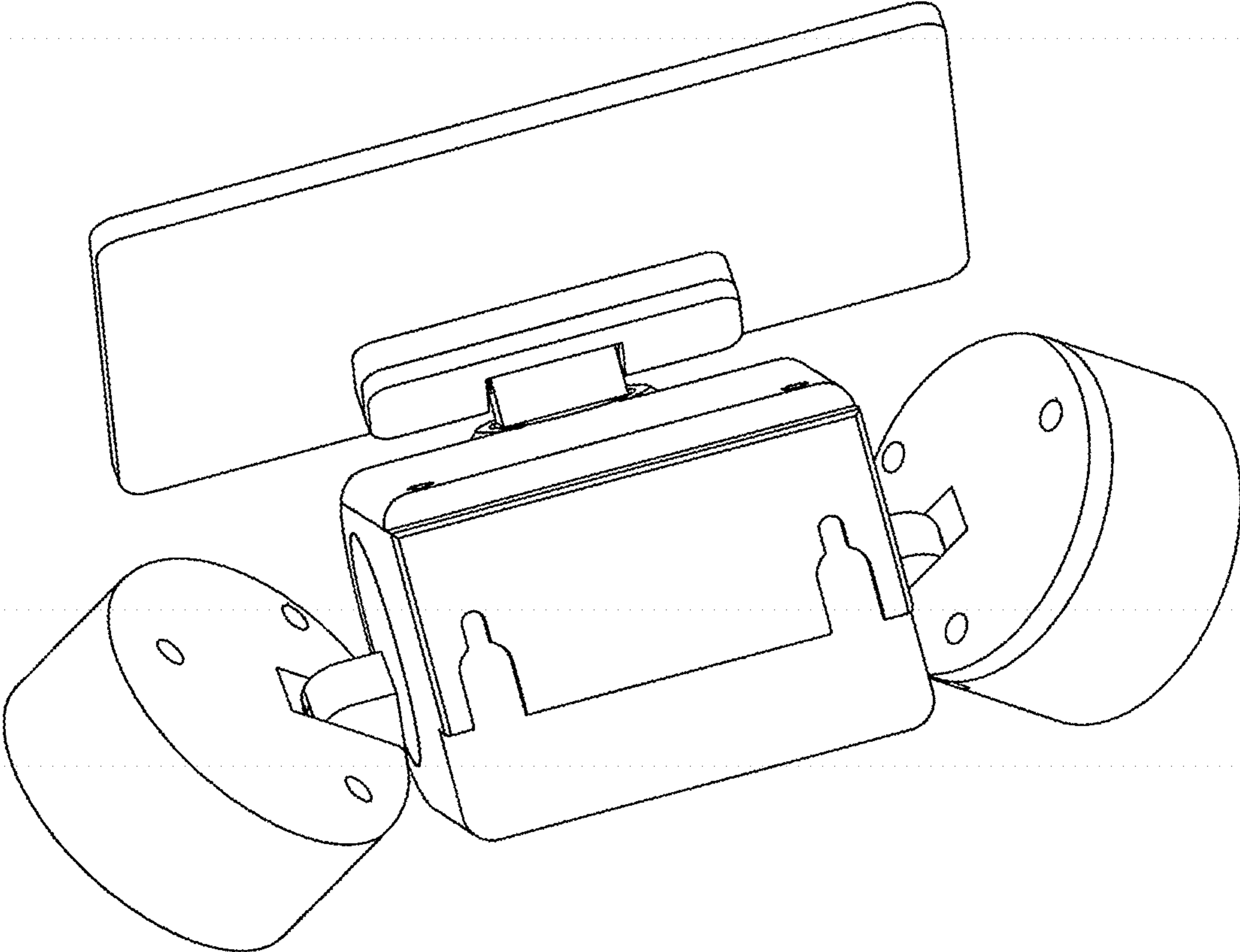


FIG. 7



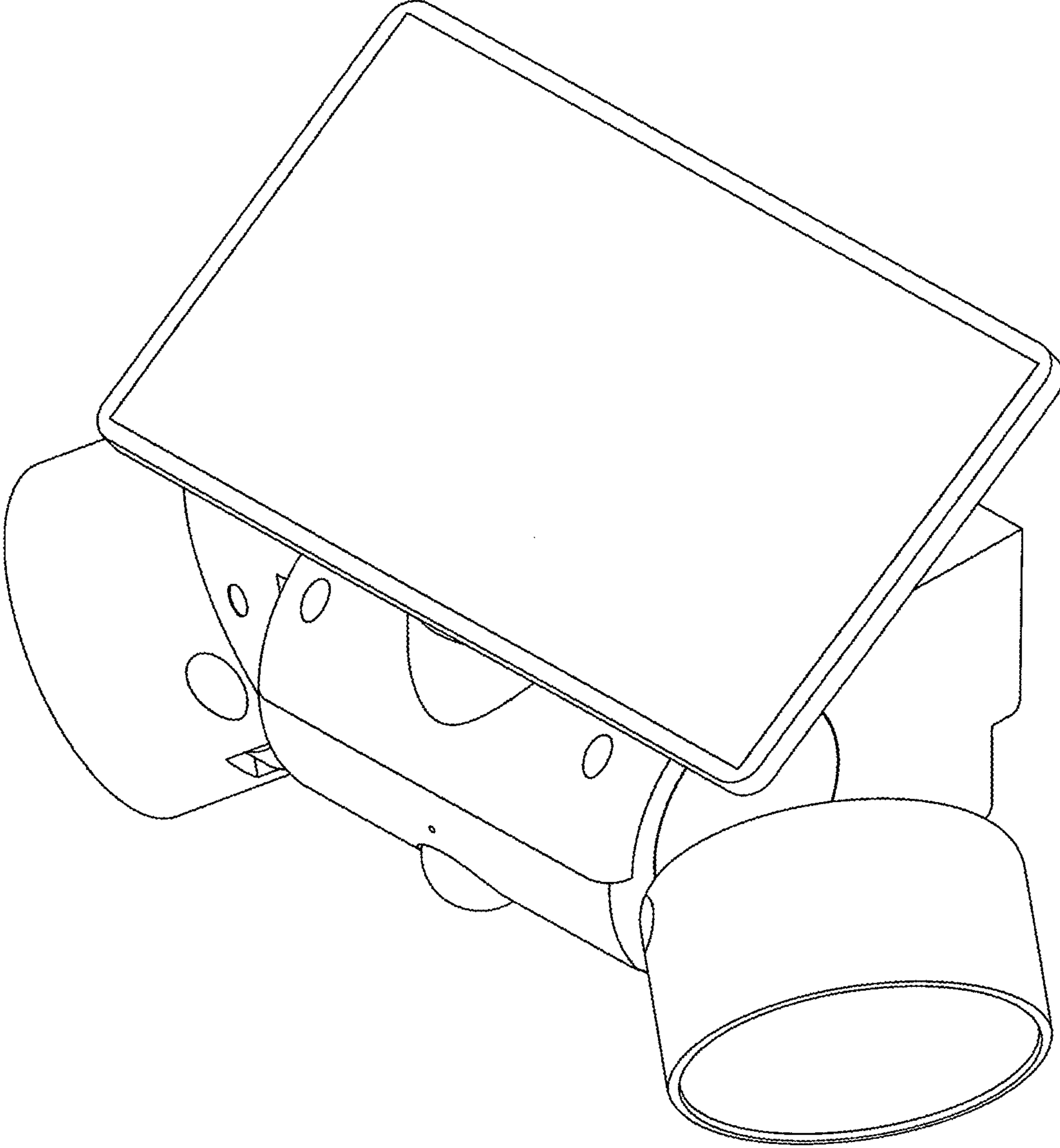


FIG. 8

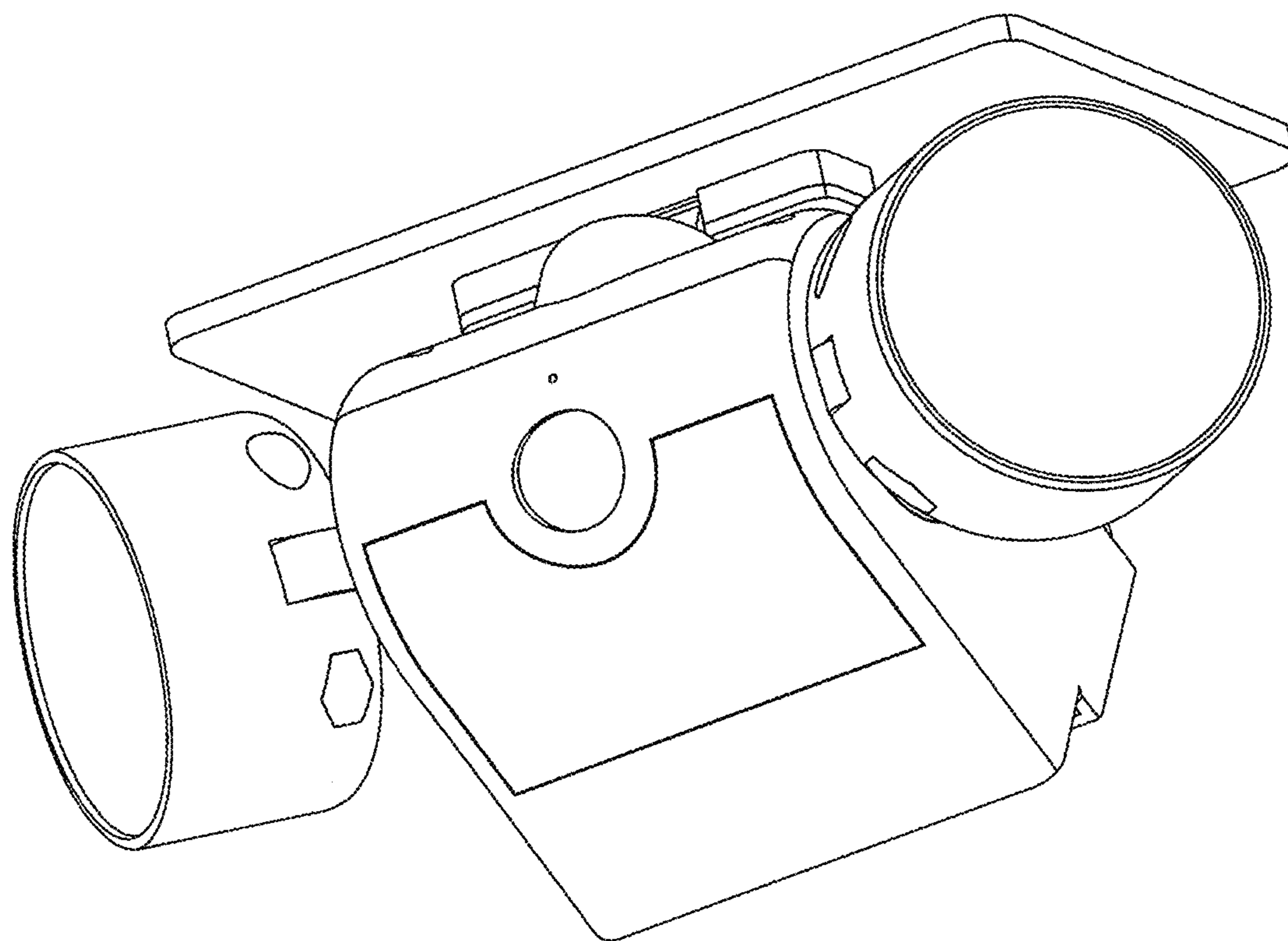


FIG. 9