



US00D882847S

(12) **United States Design Patent**
Chami et al.

(10) **Patent No.:** **US D882,847 S**

(45) **Date of Patent:** **** Apr. 28, 2020**

(54) **FLOOD LIGHT LUMINAIRE**

(71) Applicant: **MAXLITE, INC.**, West Caldwell, NJ
(US)

(72) Inventors: **Aymen Chami**, Hackettstown, NJ (US);
Eric Clohosey, East Rutherford, NJ
(US)

(73) Assignee: **MAXLITE, Inc.**, West Caldwell, NJ
(US)

(**) Term: **15 Years**

(21) Appl. No.: **29/646,690**

(22) Filed: **May 7, 2018**

(51) **LOC (12) Cl.** **26-03**

(52) **U.S. Cl.**
USPC **D26/63**

(58) **Field of Classification Search**
USPC D26/1, 24, 60, 61, 63, 65-67, 72, 75, 80,
D26/85, 92, 102, 113, 138-140, 145
CPC F21S 4/00; F21S 2/00; F21V 3/02; F21V
7/00; F21V 13/04; F21V 15/01; F21V
19/02; F21V 21/00; F21V 21/14; F21V
21/116; F21V 29/00; F21V 29/76; F21V
29/83

See application file for complete search history.

(56) **References Cited**

U.S. PATENT DOCUMENTS

D533,675	S	*	12/2006	Didier	D26/67
D690,047	S	*	9/2013	Ng	D26/65
D720,486	S	*	12/2014	Gough	D26/63
D744,149	S	*	11/2015	Bobel	D26/92
D788,966	S	*	6/2017	Gan	D26/63
D800,947	S	*	10/2017	Xiang	D26/92
D837,434	S	*	1/2019	Wei	D26/80
D843,040	S	*	3/2019	Xiang	D26/63

D849,315	S	*	5/2019	Deng	D26/113
D853,005	S	*	7/2019	Zou	D26/63
D853,006	S	*	7/2019	Zou	D26/63
2008/0030983	A1	*	2/2008	Pickett	F21S 8/00 362/222
2008/0080162	A1	*	4/2008	Wilcox	F21S 8/086 362/20
2013/0250556	A1	*	9/2013	Gordin	F21S 8/088 362/147
2014/0104836	A1	*	4/2014	Kinnune	F21V 29/74 362/249.02
2014/0218944	A1	*	8/2014	Hobson	F21V 29/004 362/418
2015/0316249	A1	*	11/2015	Kinnune	F21K 9/60 362/235
2017/0370553	A1	*	12/2017	Demuyne	F21V 3/02
2019/0178485	A1	*	6/2019	Ladewig	F21S 2/00
2019/0234594	A1	*	8/2019	Dinh	F21V 17/12

(Continued)

Primary Examiner — Angela J Lee

Assistant Examiner — Shawn T Gingrich

(74) *Attorney, Agent, or Firm* — Budzyn IP Law, LLC

(57) **CLAIM**

The ornamental design for a flood light luminaire, as shown and described.

DESCRIPTION

FIG. 1 is a front, upward perspective view of a flood light luminaire;

FIG. 2 is a front, downward perspective view thereof;

FIG. 3 is a left side elevational view thereof;

FIG. 4 is a right side elevational view thereof;

FIG. 5 is a front elevational view thereof;

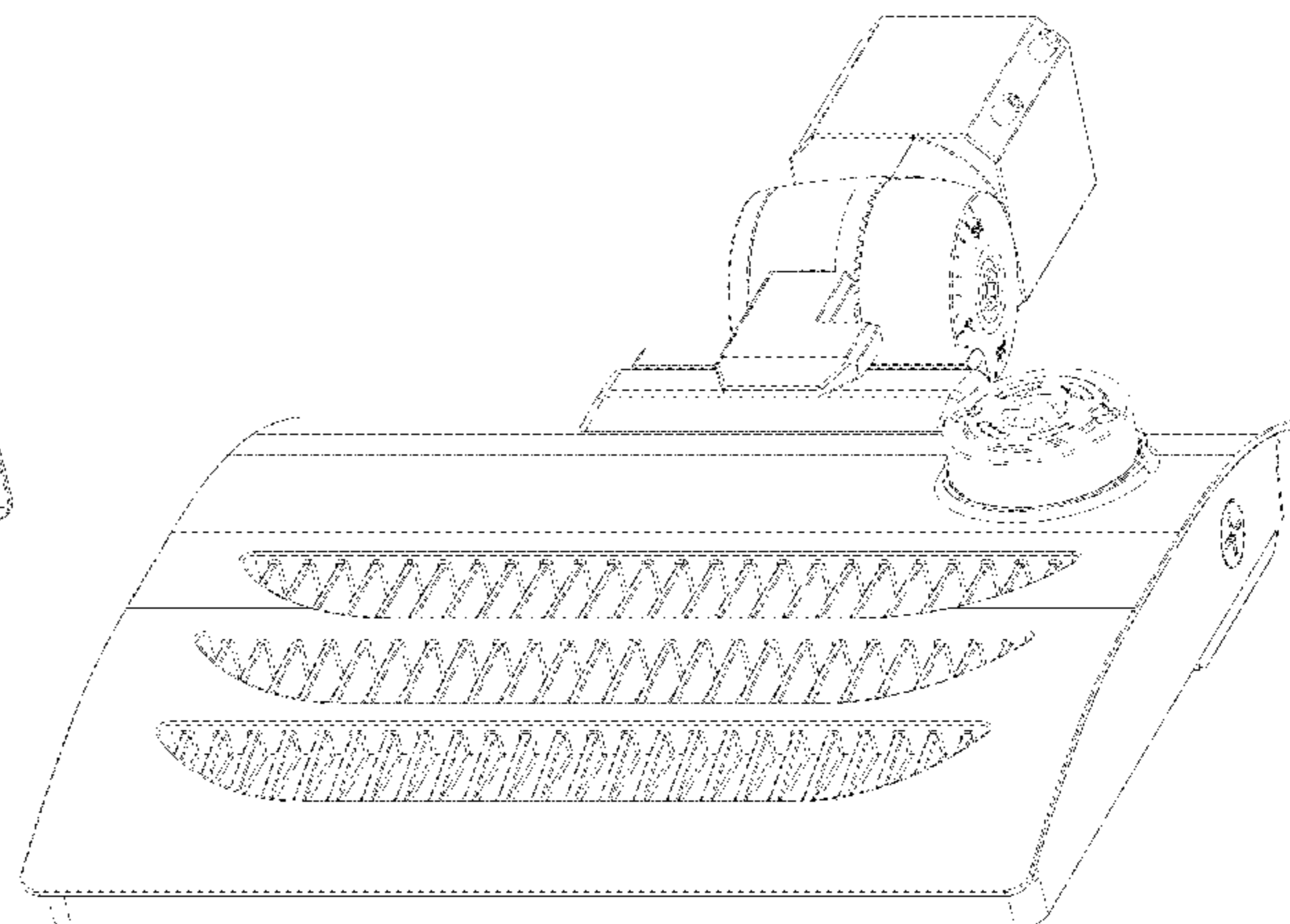
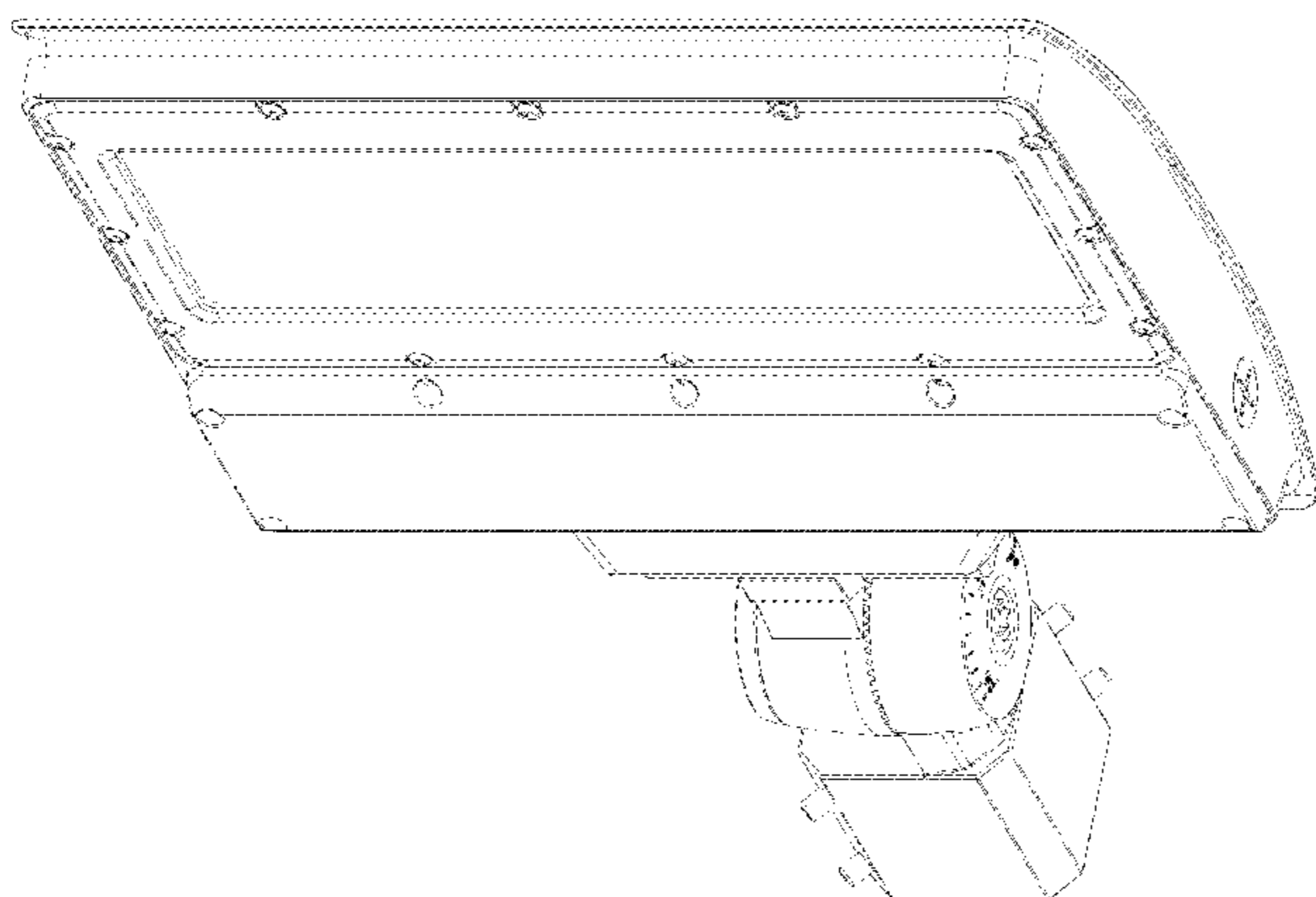
FIG. 6 is a rear elevational view thereof;

FIG. 7 is a top plan view thereof; and,

FIG. 8 is a bottom plan view thereof.

The broken lines in the figures illustrate portions of the flood light luminaire that form no part of the claimed design.

1 Claim, 8 Drawing Sheets



(56)

References Cited

U.S. PATENT DOCUMENTS

2019/0346121 A1* 11/2019 Zhu H05B 37/02
2019/0383477 A1* 12/2019 York F21V 23/008

* cited by examiner

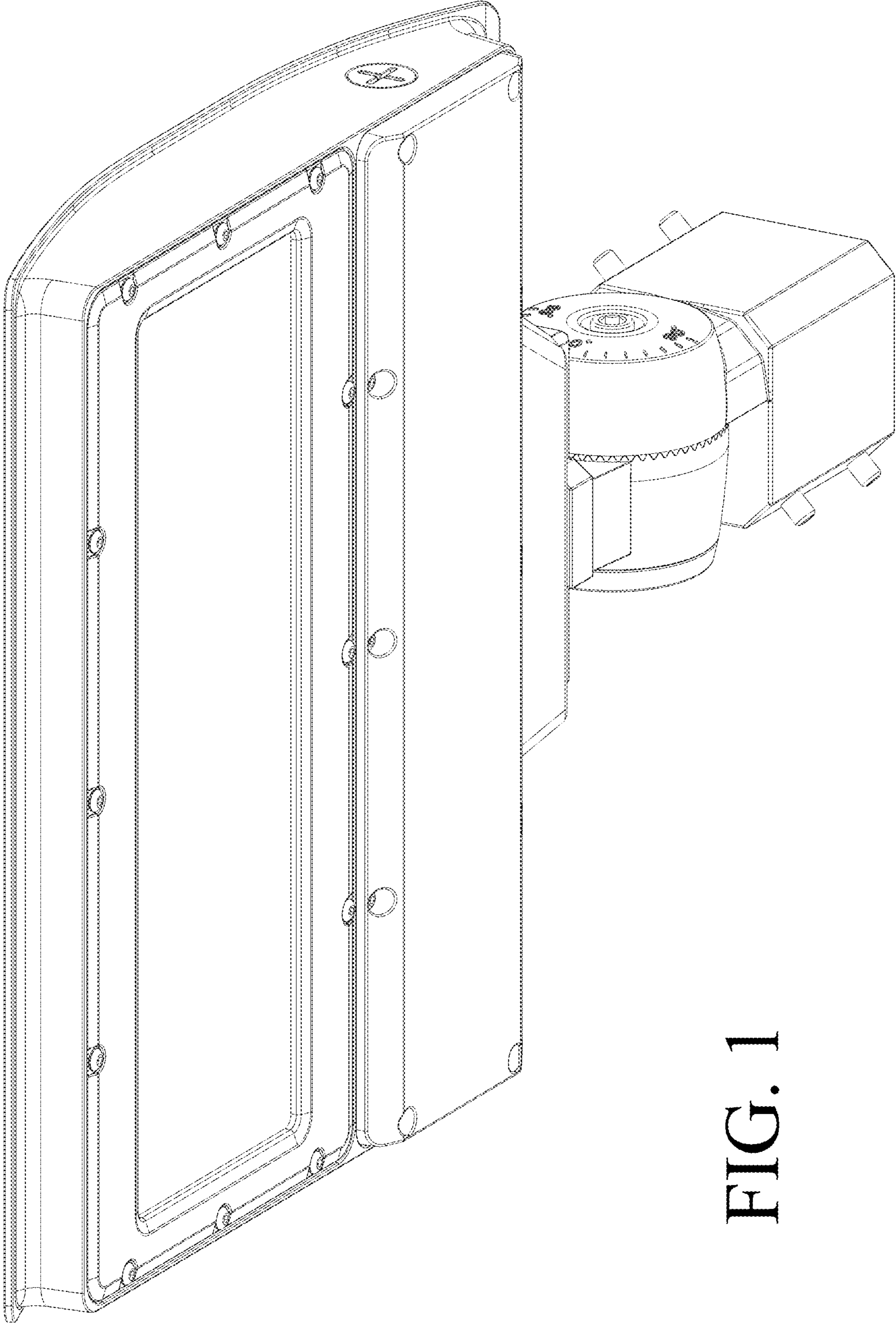


FIG. 1

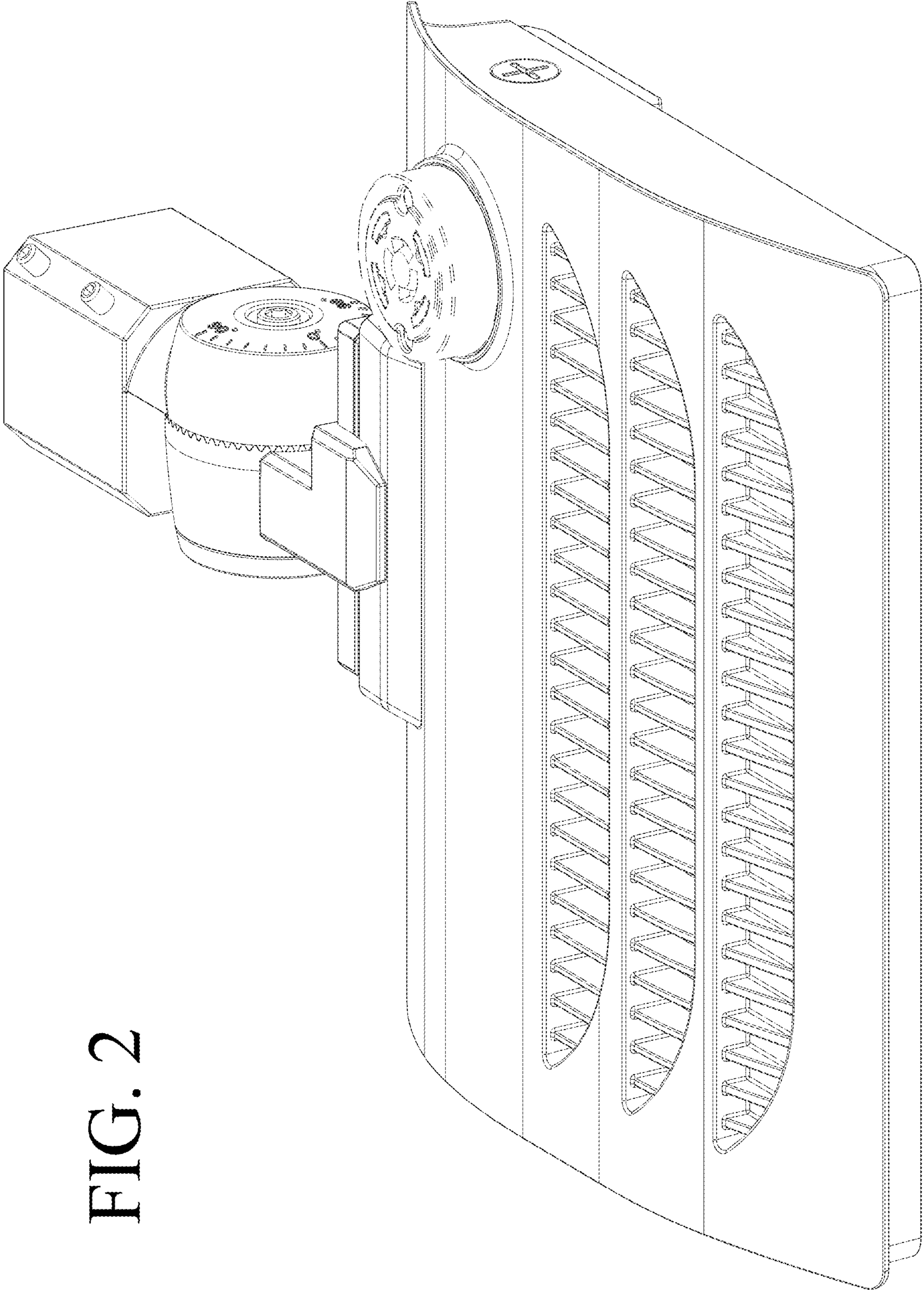


FIG. 2

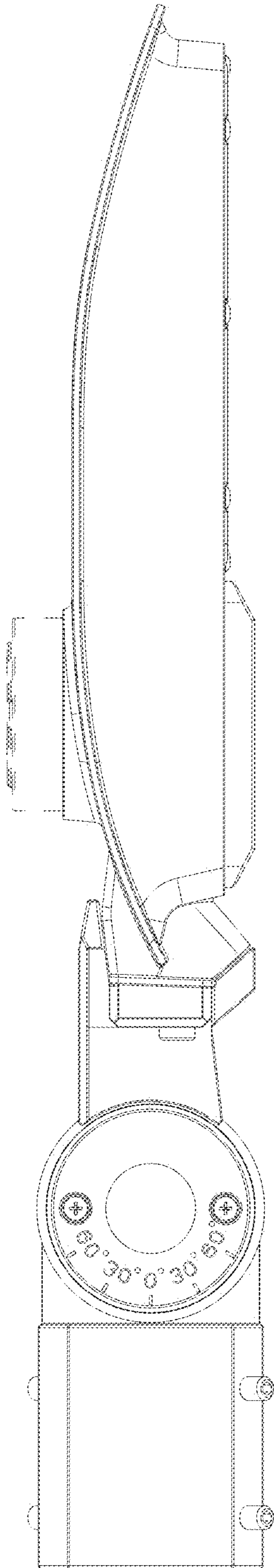


FIG. 3

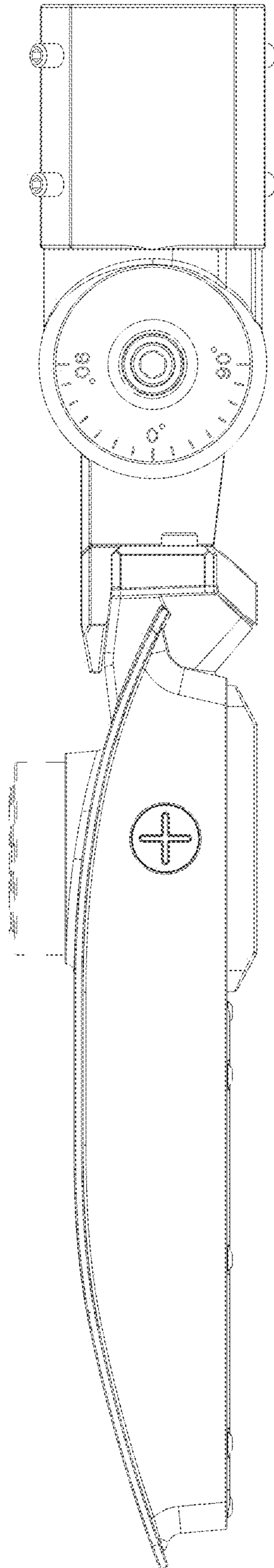


FIG. 4

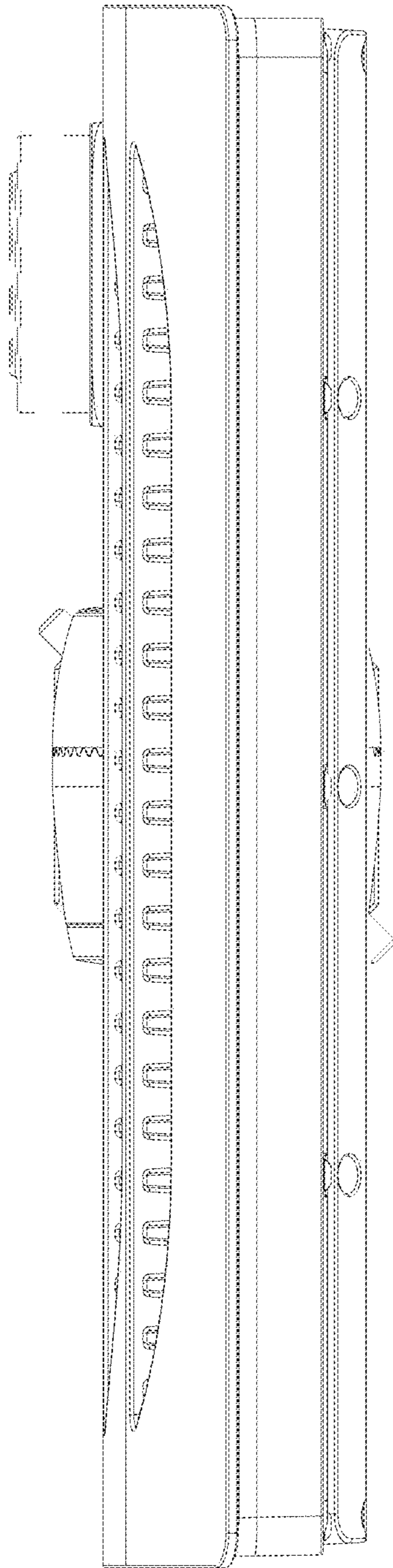


FIG. 5

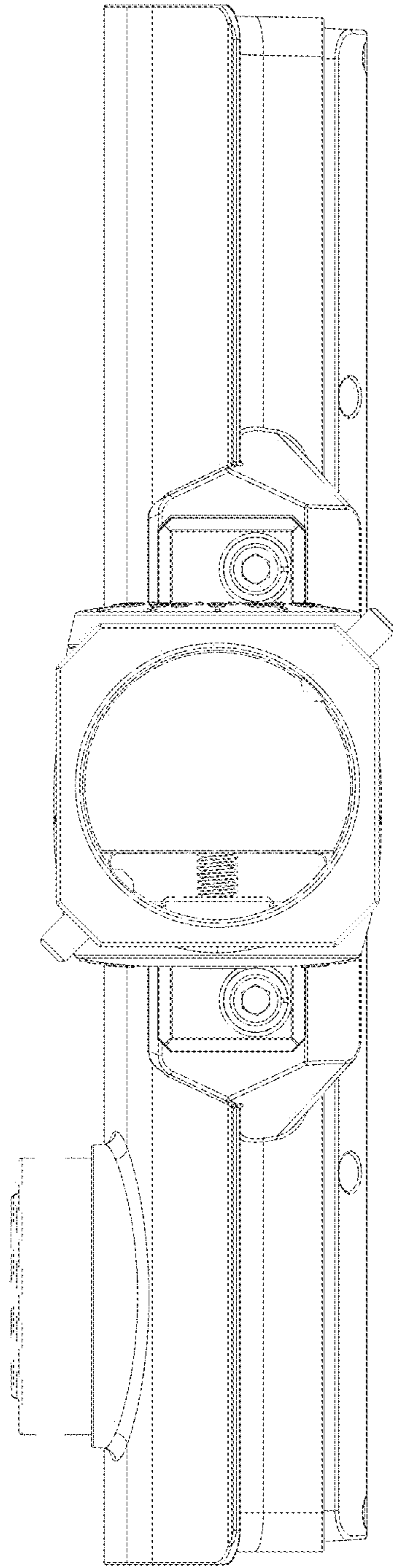


FIG. 6

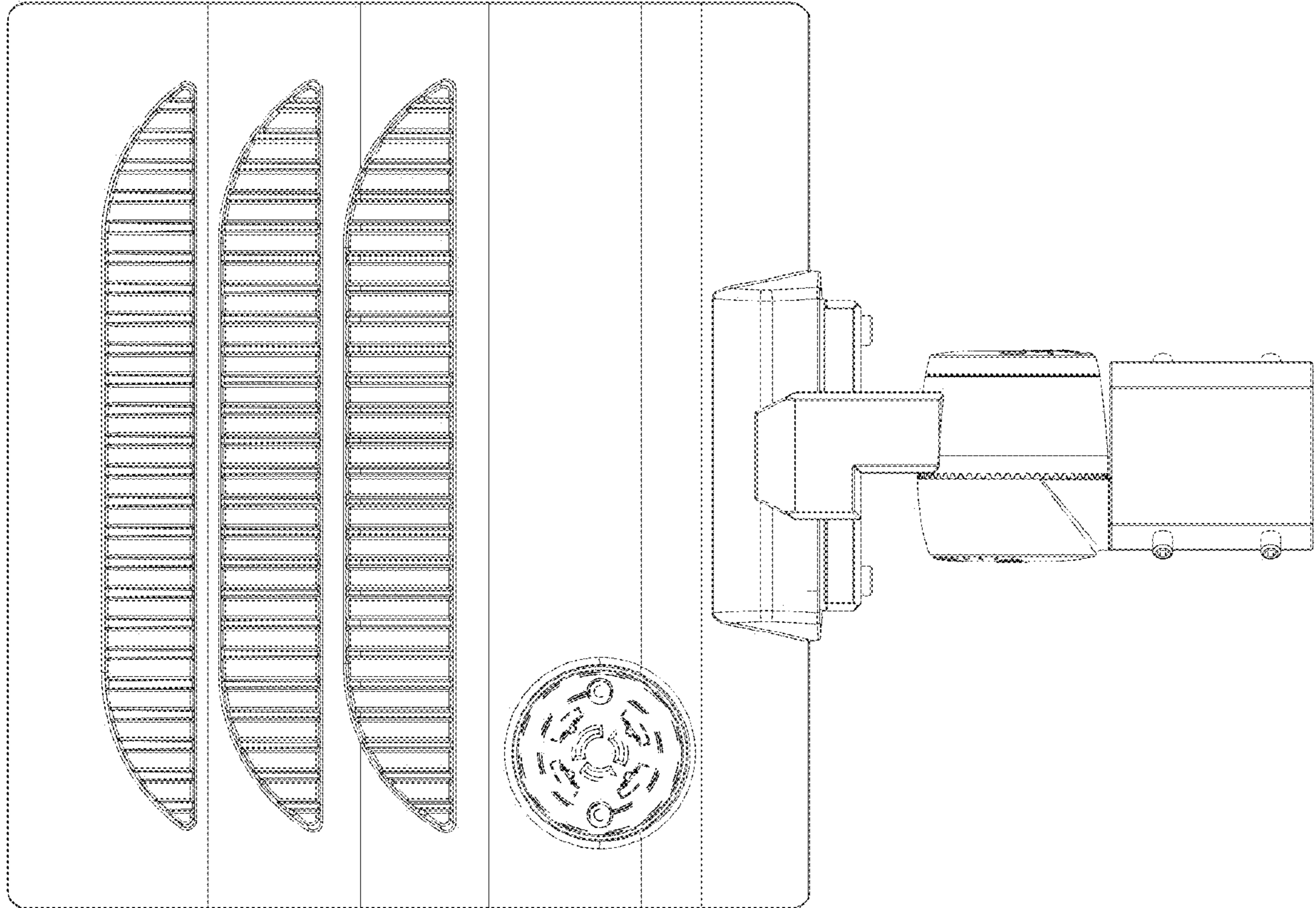


FIG. 7

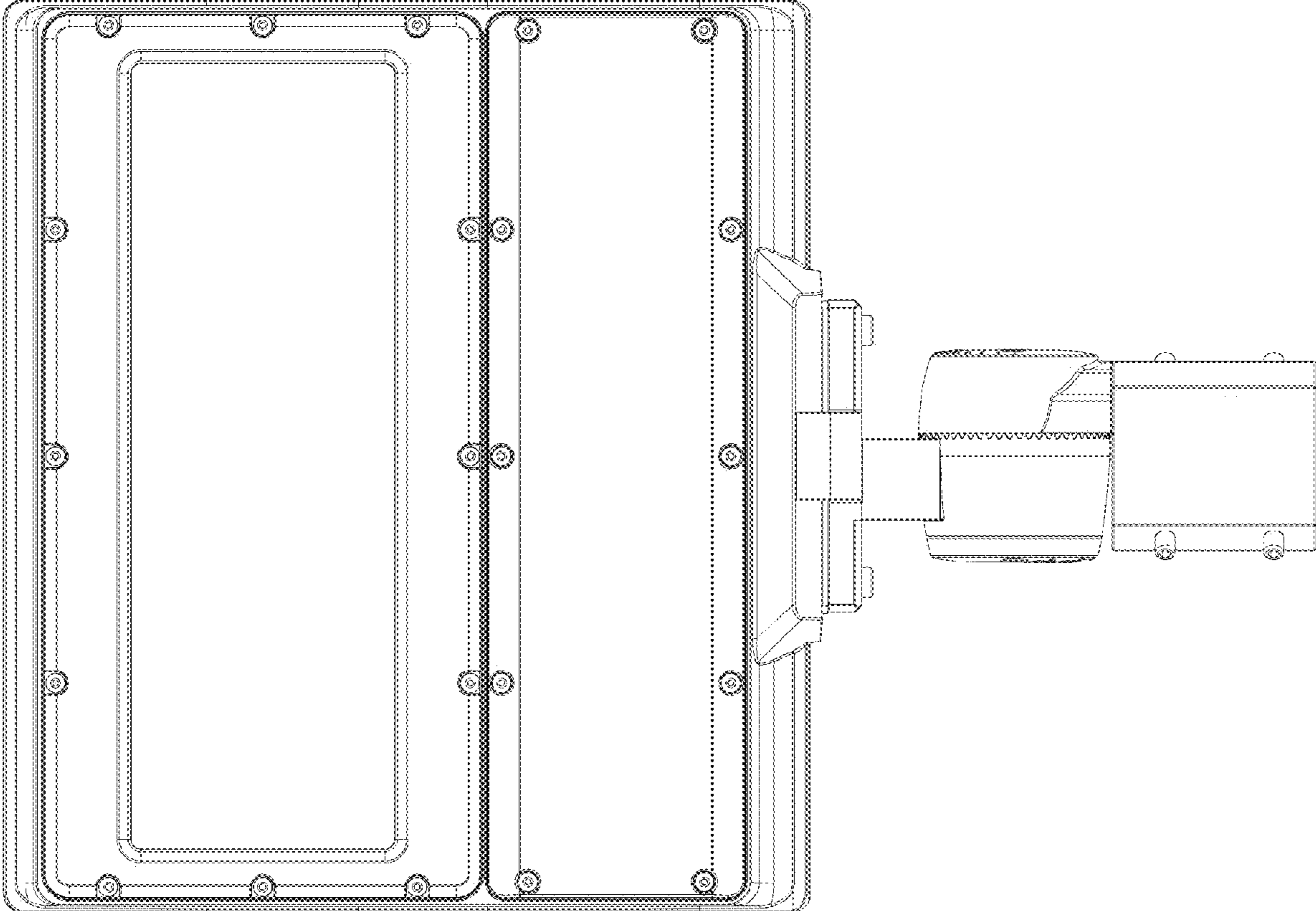


FIG. 8