



US00D882846S

(12) **United States Design Patent**
Theodon

(10) **Patent No.:** **US D882,846 S**

(45) **Date of Patent:** **** *Apr. 28, 2020**

(54) **LIGHTING UNITS**

(71) Applicant: **MAQUET SAS**, Orleans (FR)

(72) Inventor: **Benoit Theodon**, Fleury-les-Aubrais (FR)

(73) Assignee: **MAQUET SAS**, Orleans (FR)

(*) Notice: This patent is subject to a terminal disclaimer.

(**) Term: **15 Years**

(21) Appl. No.: **29/638,887**

(22) Filed: **Mar. 1, 2018**

Related U.S. Application Data

(63) Continuation of application No. 29/638,691, filed on Feb. 28, 2018, and a continuation of application No. 29/638,697, filed on Feb. 28, 2018.

(30) **Foreign Application Priority Data**

Sep. 1, 2017 (EP) 004191534

(51) **LOC (12) Cl.** **26-03**

(52) **U.S. Cl.**
USPC **D26/63**

(58) **Field of Classification Search**

USPC D26/1, 24-26, 60-67, 70, 113, 118
CPC A61B 1/24; A61B 90/30; F21V 29/67;
F21V 21/28; F21V 23/04; F21V 33/00;
F21S 8/00; F21S 8/06; H05B 37/02

See application file for complete search history.

(56) **References Cited**

U.S. PATENT DOCUMENTS

2,817,004 A * 12/1957 Cutler F21V 19/0075
362/216
D315,801 S * 3/1991 Luger D26/24

D336,146 S * 6/1993 Yamada D26/65
D619,287 S * 7/2010 Liu D26/62
D654,431 S * 2/2012 Stephanchick D13/108
9,638,406 B1 * 5/2017 Liang F21V 23/0471
D840,091 S * 2/2019 Elfring D26/118
10,321,970 B1 * 6/2019 Hollopeter A61B 34/76
2009/0086495 A1 * 4/2009 Chen A61B 90/35
362/427
2014/0075721 A1 * 3/2014 Denmark B25G 1/10
16/421
2016/0242630 A1 * 8/2016 Gharibian A61B 1/00142
(Continued)

OTHER PUBLICATIONS

Maquet or lights & ceiling supply Units, dated Jul. 9, 2014, [online], [site visited Sep. 26, 2019]. Available from Internet, URL: <http://www.maquet.com/us/product/workspace/operating-room/or-lights-ceiling-supply-units> (Year: 2014).*

(Continued)

Primary Examiner — Angela J Lee

Assistant Examiner — Shawn T Gingrich

(74) *Attorney, Agent, or Firm* — Aaron M. Miller

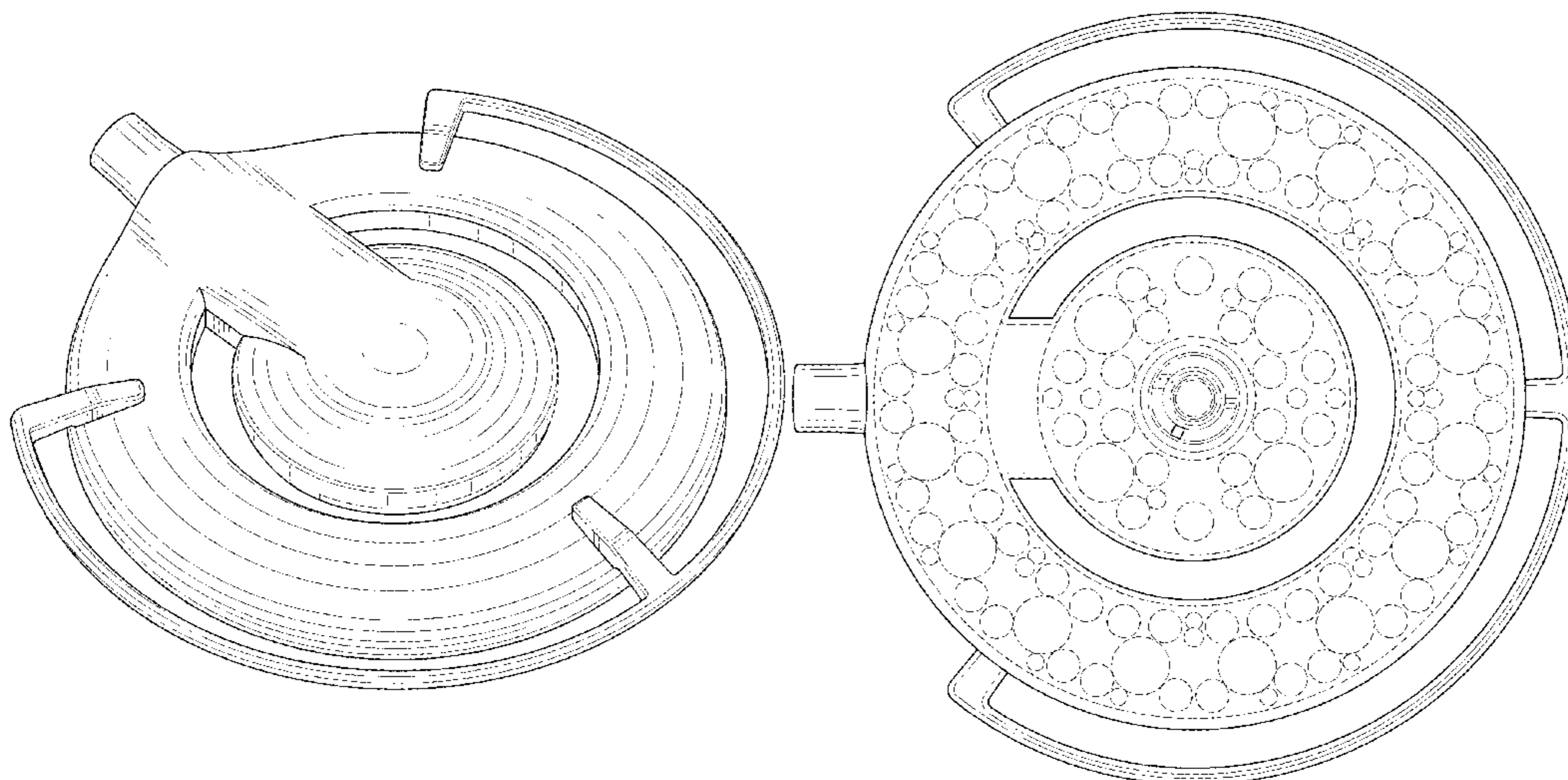
(57) **CLAIM**

The ornamental design for a lighting unit, as shown and described.

DESCRIPTION

FIG. 1 is a perspective top view of a lighting unit showing my new design;
FIG. 2 is a front elevation view thereof;
FIG. 3 is a rear elevation view thereof;
FIG. 4 is a left side elevation view thereof;
FIG. 5 is a right side elevation view thereof;
FIG. 6 is a top plan view thereof; and,
FIG. 7 is a bottom plan view thereof.
The portions of the lighting unit shown in broken lines form no part of the claimed design.

1 Claim, 7 Drawing Sheets



(56)

References Cited

U.S. PATENT DOCUMENTS

2016/0282630 A1* 9/2016 Valteau G02B 27/1006
2017/0112587 A1* 4/2017 Weiser A61B 90/30
2017/0254527 A1* 9/2017 Liang F21V 33/0068
2017/0318644 A1* 11/2017 Hartl A61B 90/30
2017/0325319 A1* 11/2017 Schmid H05B 33/0803
2018/0238529 A1* 8/2018 Liang H05B 37/0227
2019/0341793 A1* 11/2019 Chien F21S 8/035

OTHER PUBLICATIONS

Informational Guide on POWERLED Operating Lights, Maquet
Getinge Group, Feb. 2015, 12 pages.
Bovie® Brochure on M1 1000 LED, Surgical Lighting: The Next
Generation in Surgery Lighting, 2 pages.
Getinge Group Flyer, "LMD the ultimate device for light stability",
2 pages.

* cited by examiner

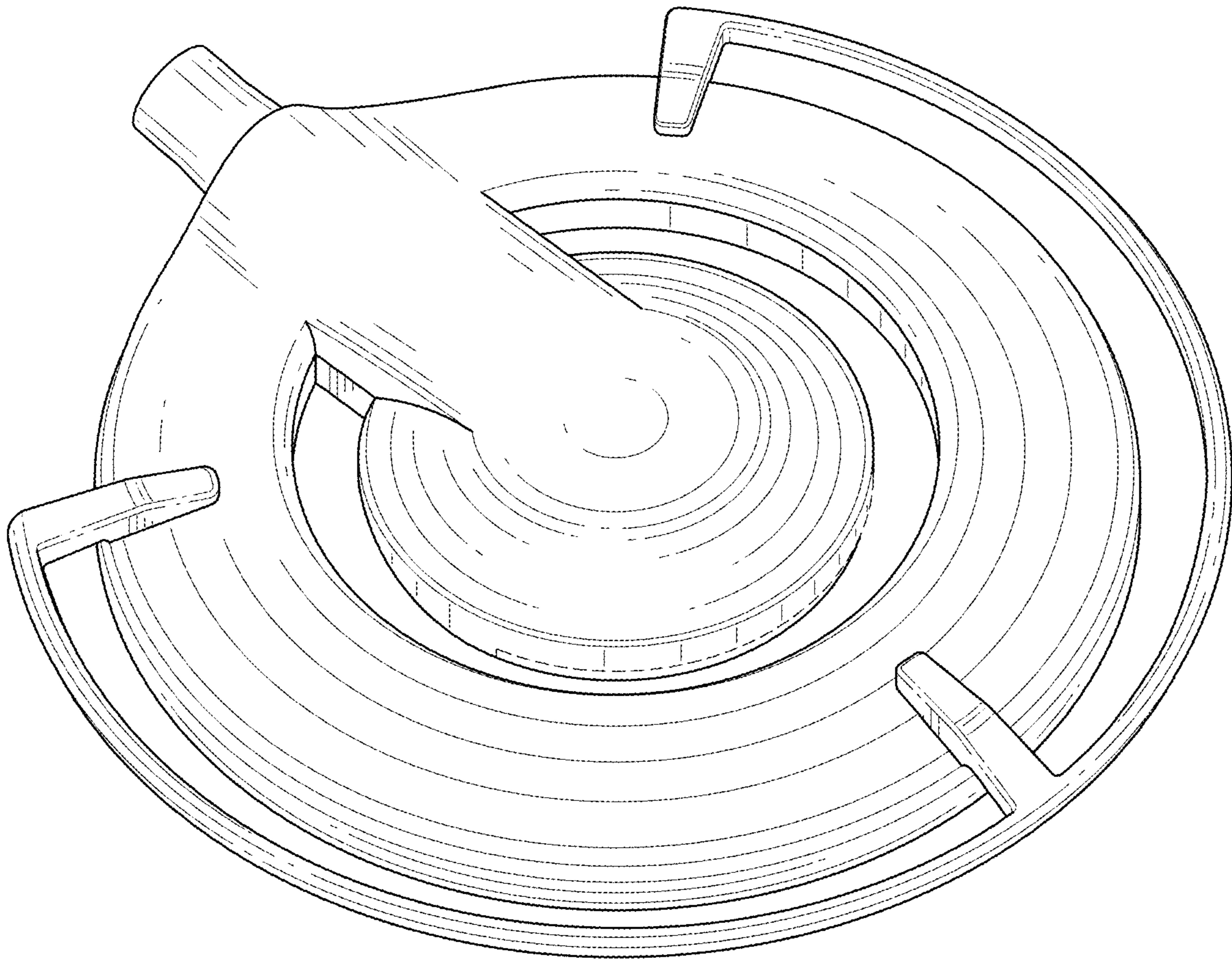


FIG. 1

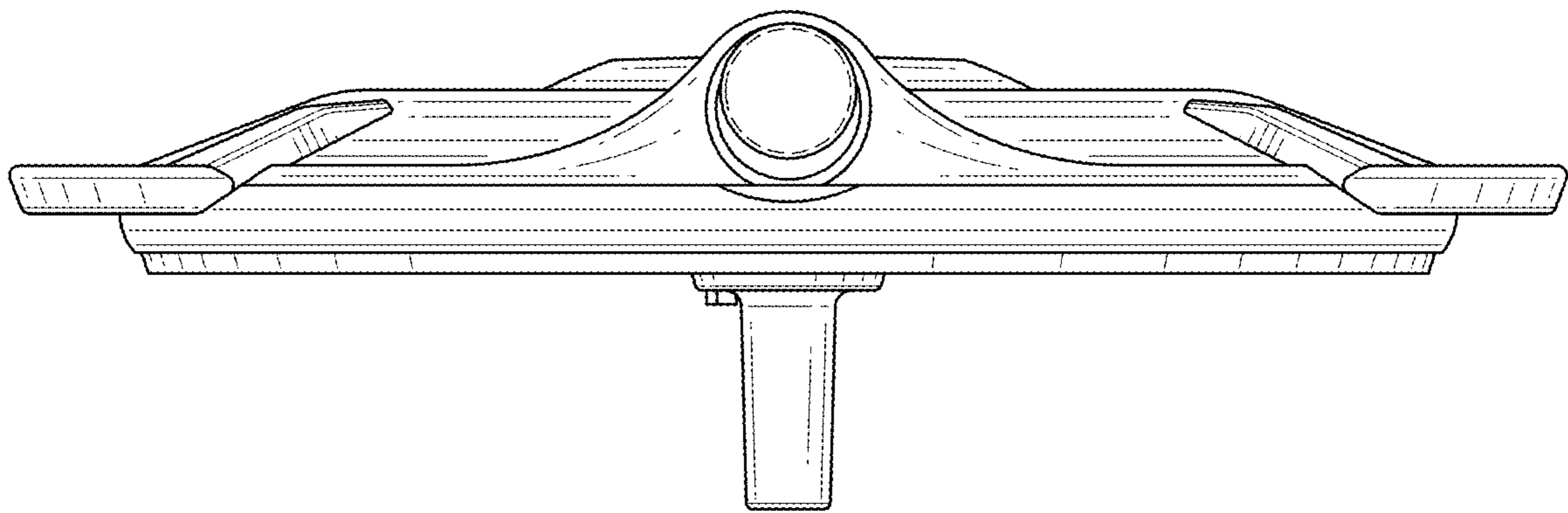


FIG. 2

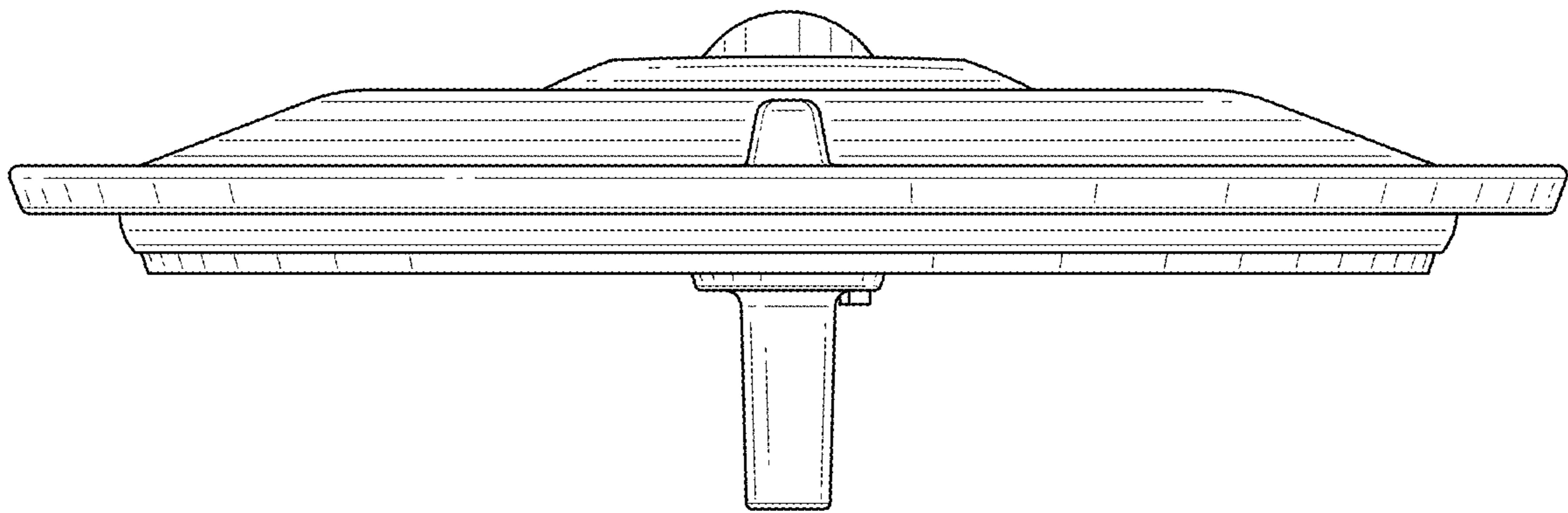


FIG.3

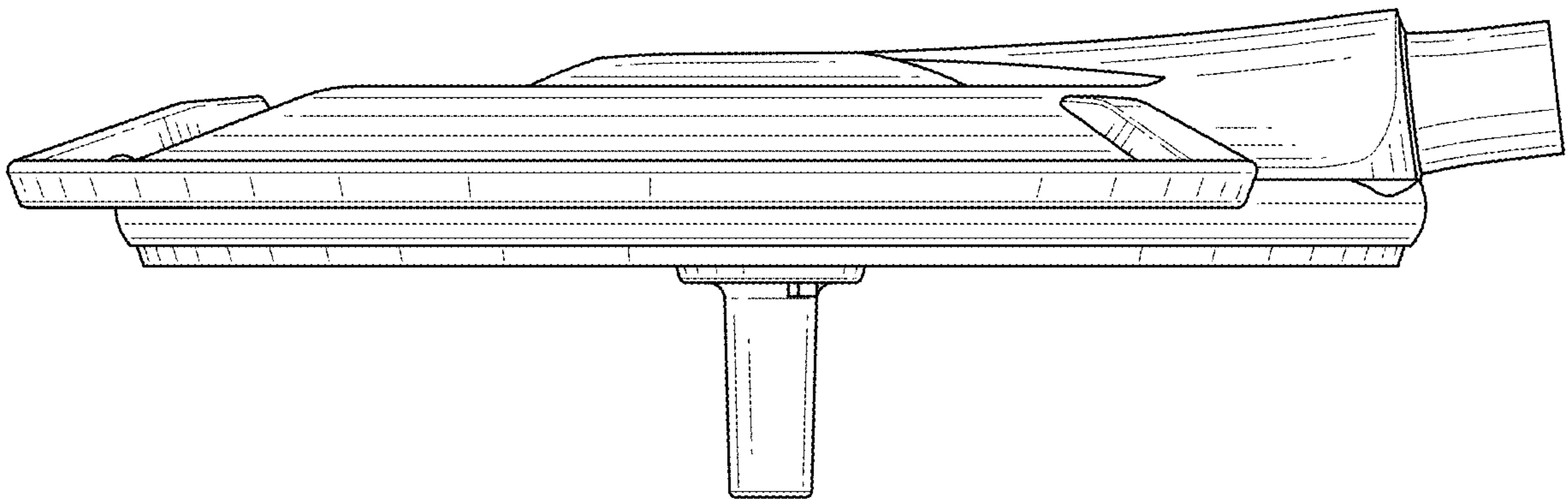


FIG.4

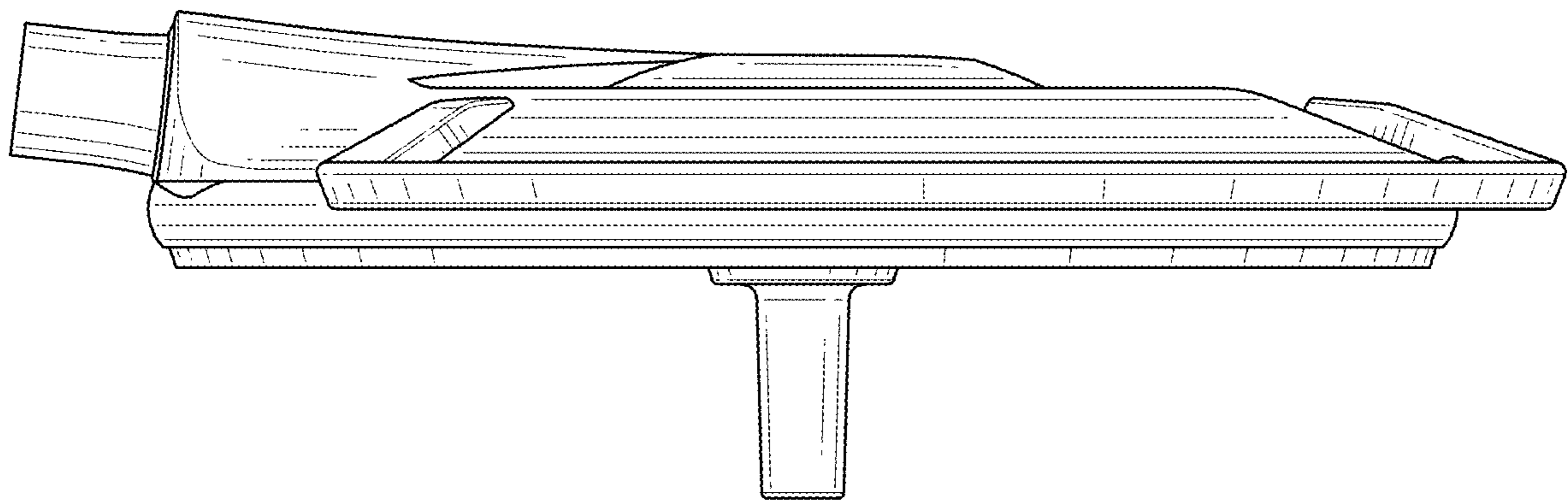


FIG. 5

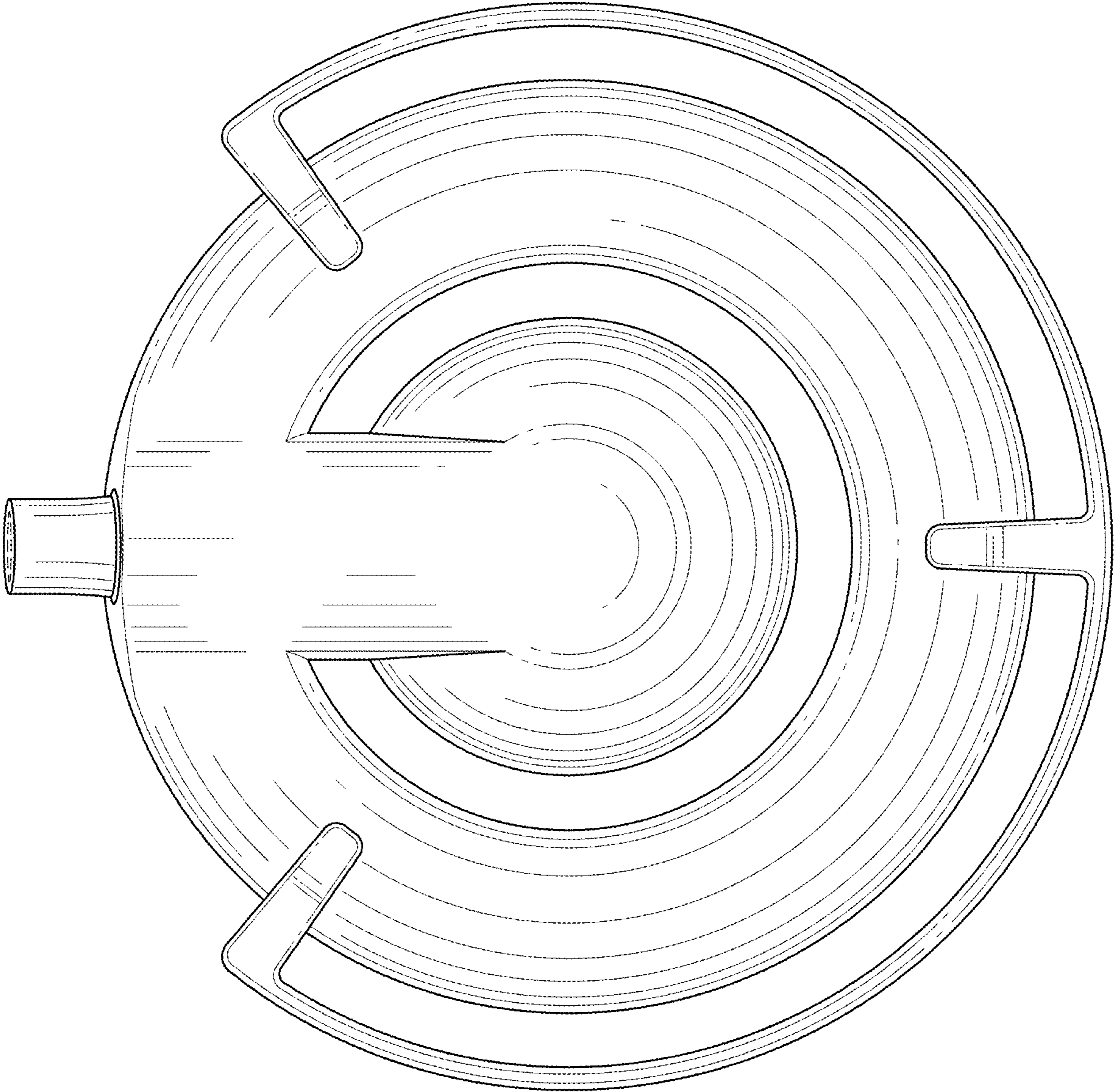


FIG.6

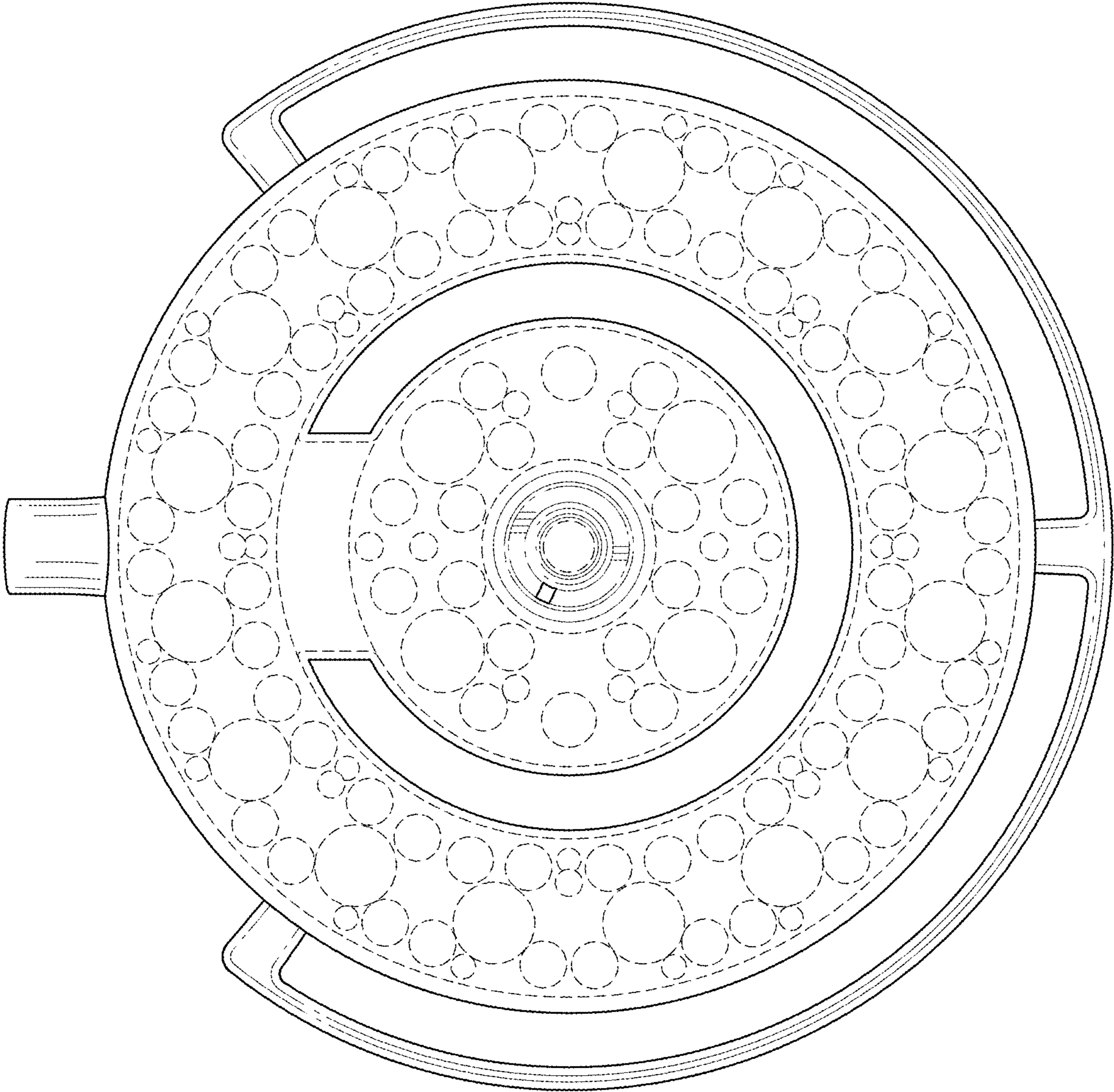


FIG. 7