



US00D882843S

(12) **United States Design Patent**
Kaiser

(10) **Patent No.:** **US D882,843 S**

(45) **Date of Patent:** **** Apr. 28, 2020**

(54) **RING LIGHT**

(71) Applicant: **Erik A. Kaiser**, Mendham, NJ (US)

(72) Inventor: **Erik A. Kaiser**, Mendham, NJ (US)

(**) Term: **15 Years**

(21) Appl. No.: **29/660,389**

(22) Filed: **Aug. 21, 2018**

(51) **LOC (12) Cl.** **26-05**

(52) **U.S. Cl.**
USPC **D26/60**

(58) **Field of Classification Search**
USPC D26/1, 2, 24, 36, 60, 61, 63, 65, 72, 79,
D26/88, 89, 106, 110, 113, 123, 124,
D26/128; D16/135, 136, 237, 239;
362/3, 8, 12, 16, 317, 362
CPC F21S 4/22; F21S 4/28; F21S 8/00; F21S
8/02; F21S 8/03; F21S 8/04; F21S 8/033;
F21S 8/036; F21S 8/037; F21S 9/037;
F21Y 2103/33; F21V 11/00; F21V 11/02;
F21V 7/00; F21V 7/0066; F21V 33/00;
F21V 5/00; F21V 5/02; F21V 5/043
See application file for complete search history.

(56) **References Cited**

U.S. PATENT DOCUMENTS

D364,241 S *	11/1995	Jaynes	D26/106
D469,916 S *	2/2003	Caferro	D26/123
D484,637 S *	12/2003	Yang	D26/139
D542,454 S *	5/2007	Chan	D26/60
D544,986 S *	6/2007	Benensohn	D26/79
D611,178 S *	3/2010	Waring	D26/34
D617,035 S *	6/2010	Sabernig	D26/79
D619,287 S *	7/2010	Liu	D26/62
D636,513 S *	4/2011	Furtsch	D16/135
D690,457 S *	9/2013	Lu	D26/118

D702,279 S *	4/2014	Zhan	D16/239
D843,430 S *	3/2019	Hodgson	D16/135
D854,227 S *	7/2019	Yu	D26/106
D855,242 S *	7/2019	Chen	D26/106
D860,485 S *	9/2019	Yu	D26/24
D862,566 S *	10/2019	Fahlborg	D16/237
D862,779 S *	10/2019	Anderson	D26/118
2014/0198496 A1 *	7/2014	Ye	F21V 5/00 362/235
2016/0069548 A1 *	3/2016	Wessel	B25B 23/18 362/183
2018/0172247 A1 *	6/2018	O'Brien	F21V 21/02
2019/0003699 A1 *	1/2019	Mondora	A45D 42/10

* cited by examiner

Primary Examiner — Wan Laymon

Assistant Examiner — Clint A Samuel

(74) *Attorney, Agent, or Firm* — Steven N. Fox, Esq.

(57) **CLAIM**

The ornamental design for a ring light, as shown and described.

DESCRIPTION

FIG. 1 is a front perspective view of a ring light according to the present invention shown when a light diffuser component is active;

FIG. 2 is a front perspective view of the ring light when the light diffuser component is inactive;

FIG. 3 is a front view of the ring light when the light diffuser component is active;

FIG. 4 is a rear view thereof;

FIG. 5 is a left side view thereof;

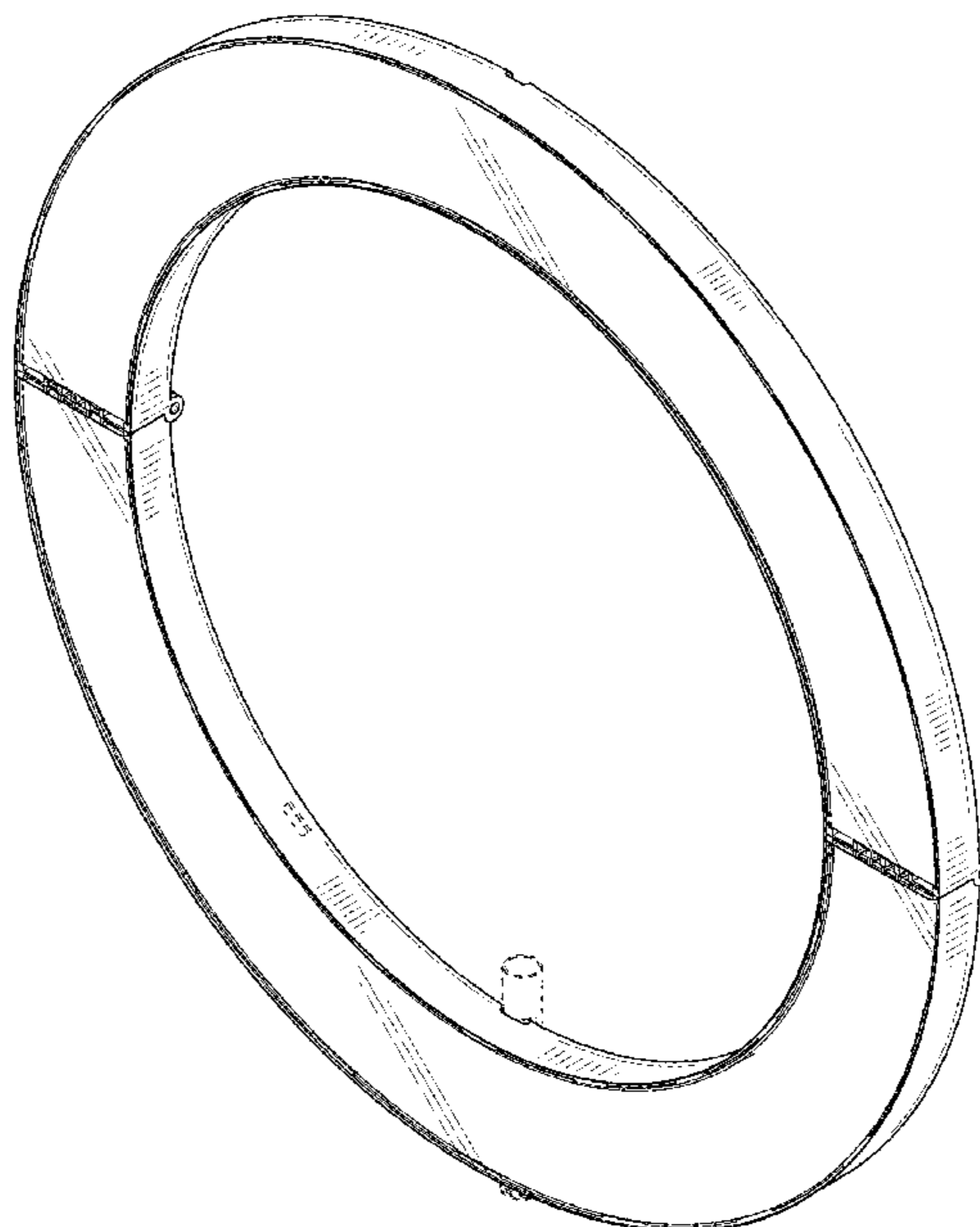
FIG. 6 is a right side view thereof;

FIG. 7 is a bottom view thereof; and,

FIG. 8 is a top view thereof.

The broken lines show environmental structure and form no part of the claimed design.

1 Claim, 5 Drawing Sheets



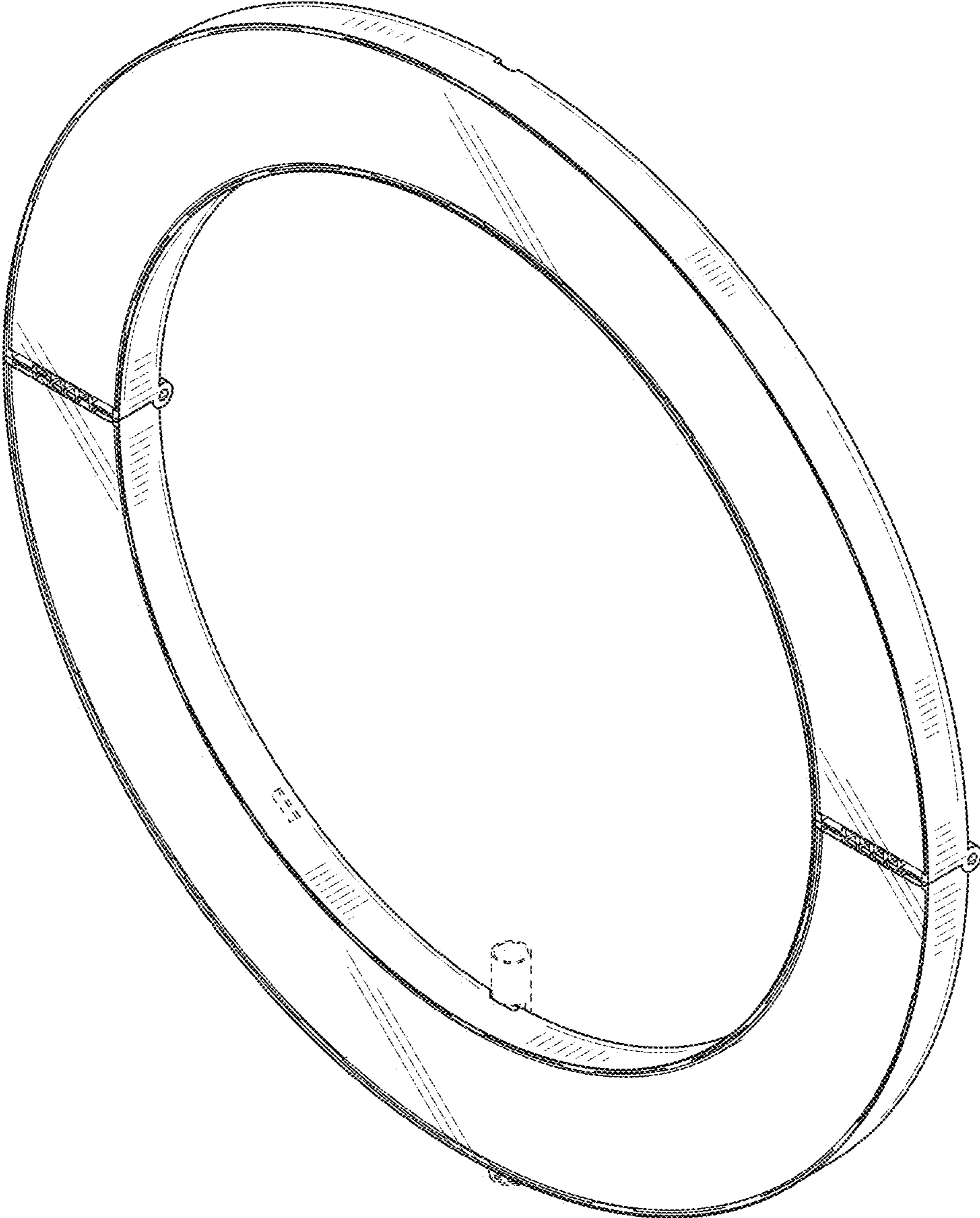


FIG. 1

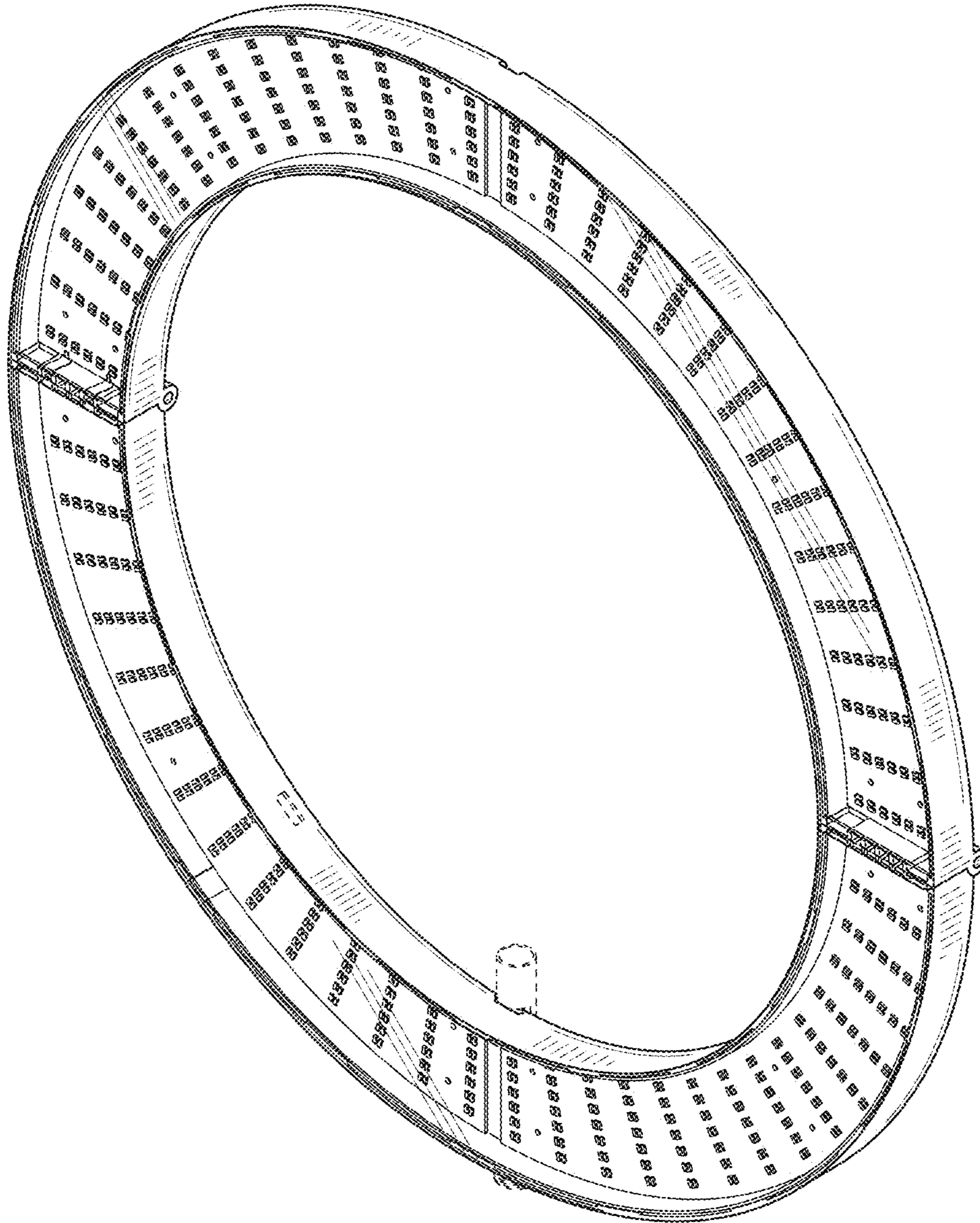


FIG. 2

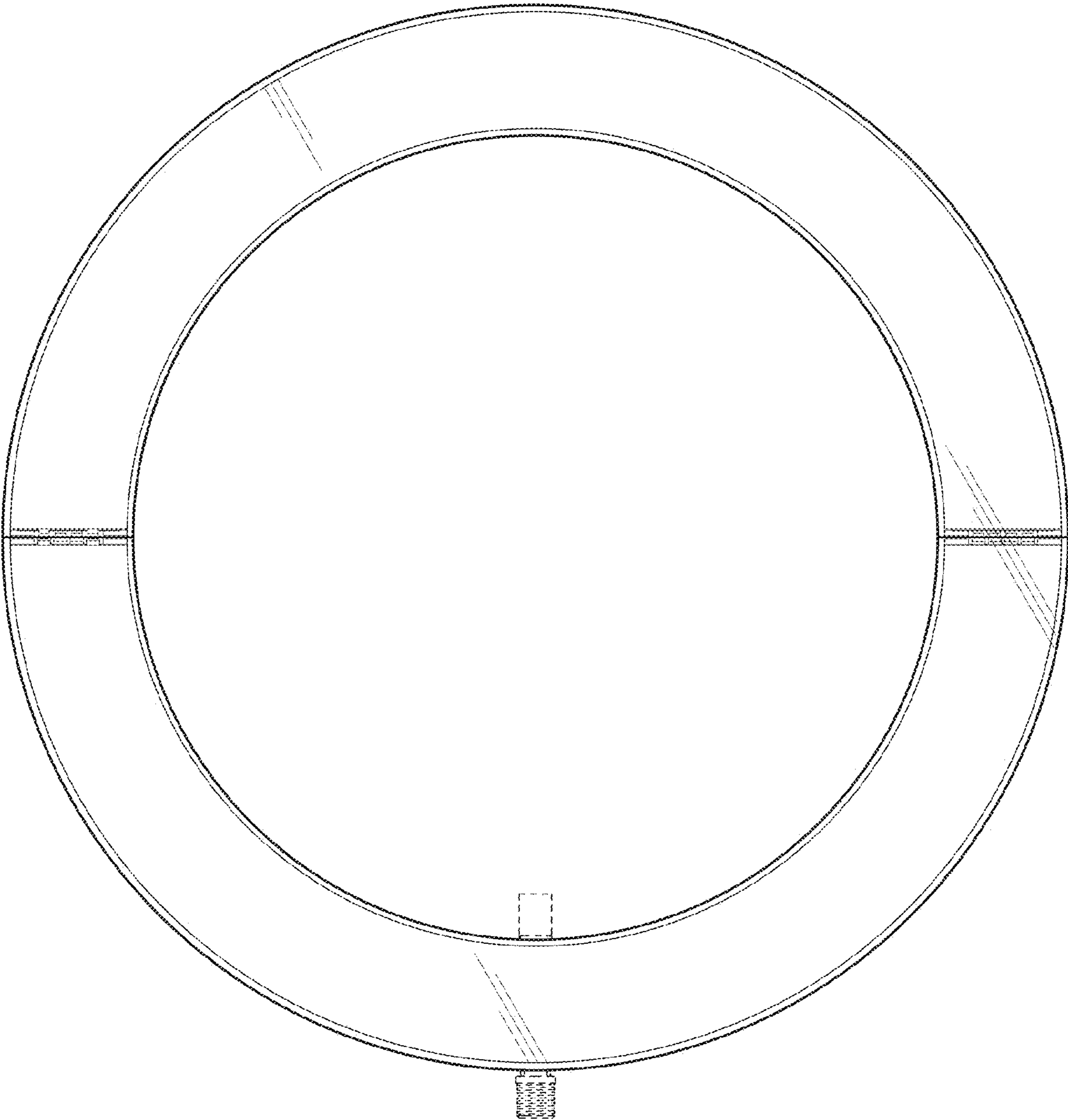


FIG. 3

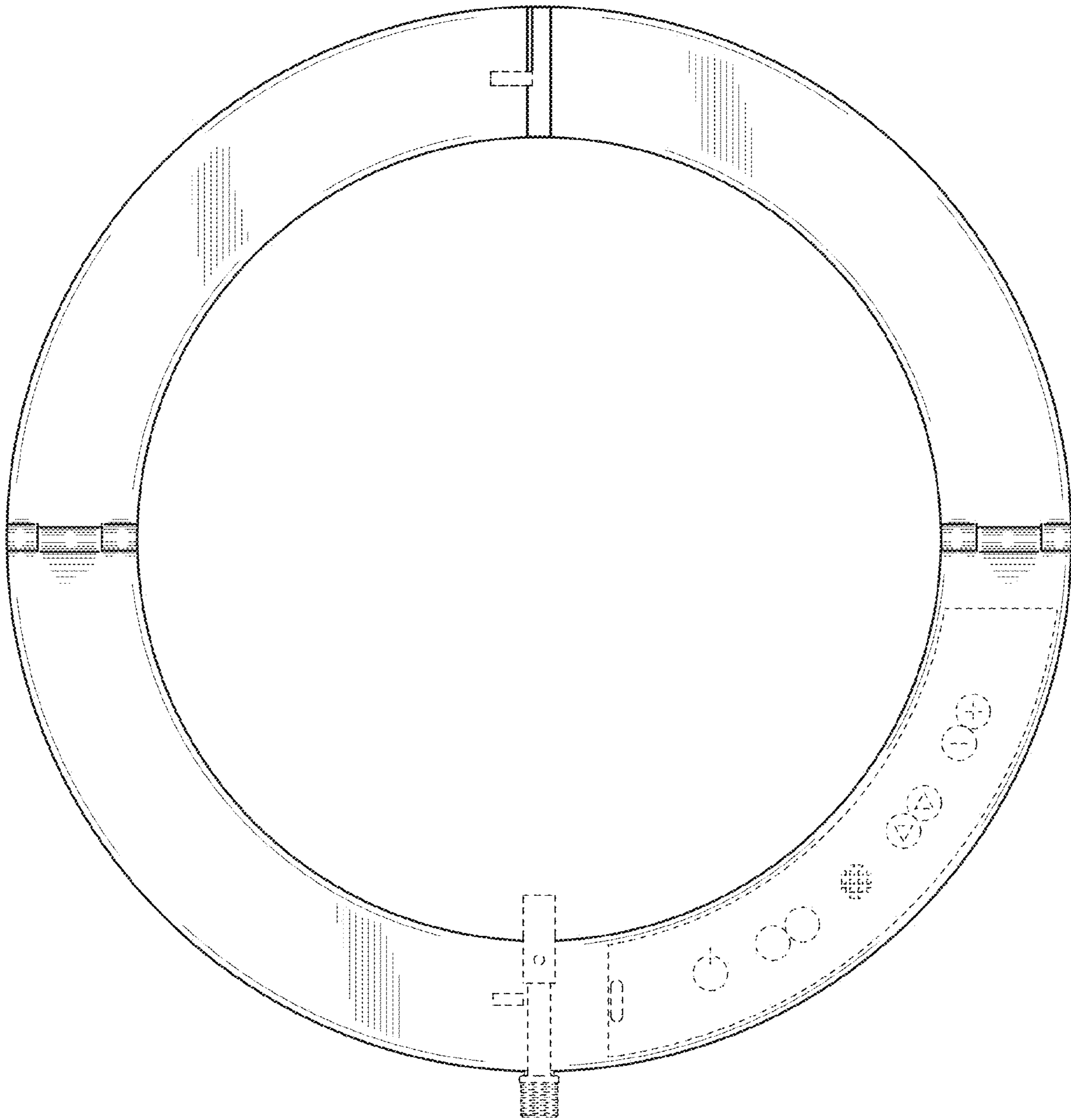


FIG. 4

FIG. 5

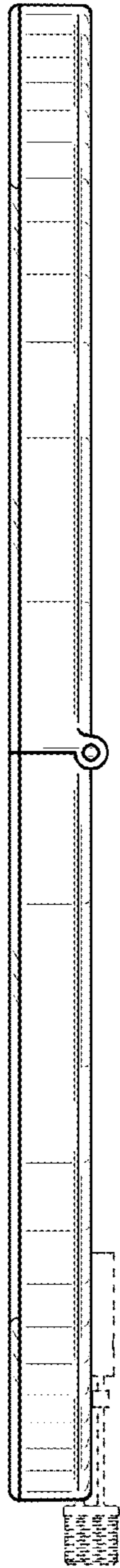


FIG. 6

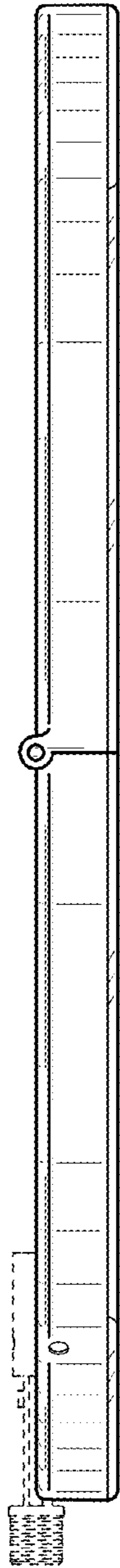


FIG. 7



FIG. 8

