

US00D882842S

(12) **United States Design Patent**
Johansson

(10) **Patent No.:** **US D882,842 S**

(45) **Date of Patent:** **** Apr. 28, 2020**

(54) **LIGHT BOX**

(71) Applicant: **Clean-Light Limited**, Hong Kong (HK)

(72) Inventor: **Karl Peter Torbjörn Johansson**, Onsala (SE)

(73) Assignee: **CLEAN-LIGHT LIMITED**, Hong Kong (HK)

(**) Term: **15 Years**

(21) Appl. No.: **29/639,245**

(22) Filed: **Mar. 5, 2018**

(51) **LOC (12) Cl.** **26-03**

(52) **U.S. Cl.**
USPC **D26/58**

(58) **Field of Classification Search**
USPC D6/334, 349, 641-642, 653-653.1,
D6/654-654.1, 655-655.1, 657, 673, 675
CPC A47B 39/00; A47B 83/02; A47F 5/0018;
A47F 5/0043; A47F 7/00
See application file for complete search history.

(56) **References Cited**

U.S. PATENT DOCUMENTS

D267,992 S	*	2/1983	Shelton	D6/675
D467,449 S	*	12/2002	Ong	D6/675
D670,420 S	*	11/2012	Hui	D26/51
D676,587 S	*	2/2013	Fisher	D26/58

D780,488 S	*	3/2017	Celano	D6/675
D793,128 S	*	8/2017	Peota	D6/675
D859,038 S	*	9/2019	Davis	D6/675
D862,947 S	*	10/2019	Grupenhof	D6/675

* cited by examiner

Primary Examiner — Brian N. Vinson

(57) **CLAIM**

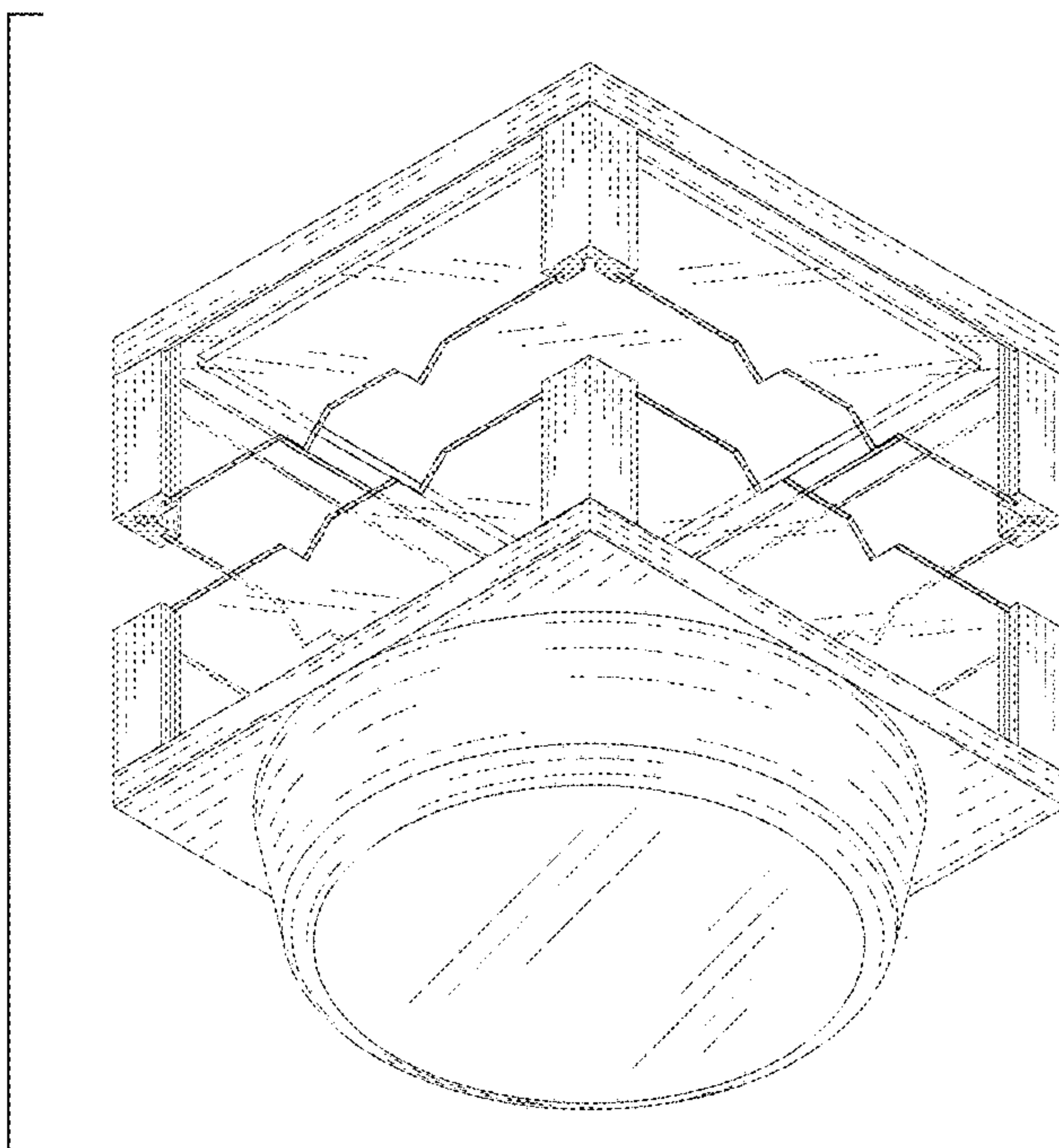
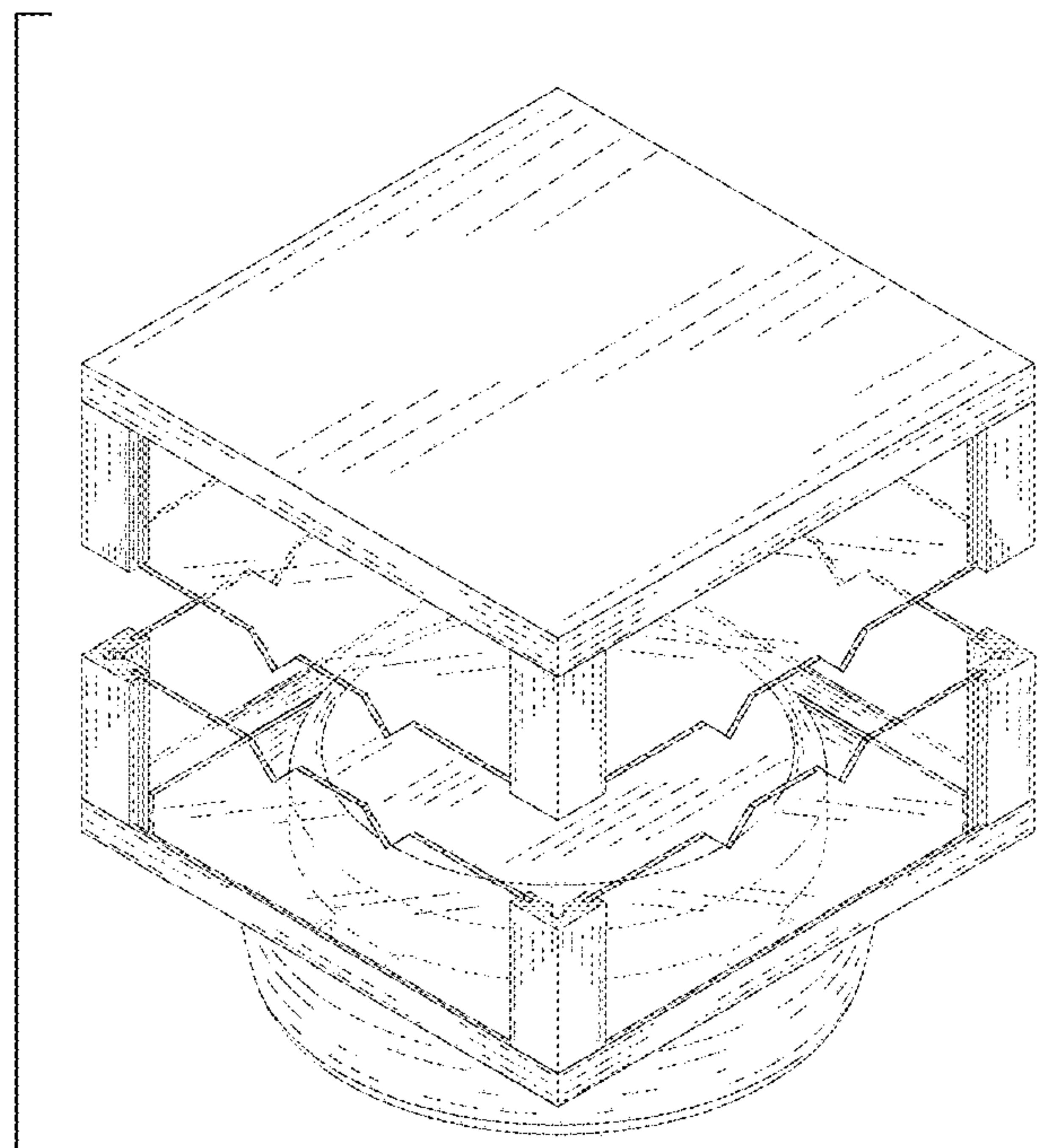
The ornamental design for a light box, as shown and described.

DESCRIPTION

FIG. 1 is a top perspective view of a light box showing my new design;
 FIG. 2 is a bottom perspective view thereof;
 FIG. 3 is a top-exploded perspective view thereof;
 FIG. 4 is a bottom-exploded perspective view thereof;
 FIG. 5 is a magnified view of the plurality of connectors of the light box of FIG. 3;
 FIG. 6 is a front view thereof;
 FIG. 7 is a back view thereof, showing the plane upon which, a cross-sectional view is taken and shown in FIG. 12;
 FIG. 8 is a top view thereof;
 FIG. 9 is a bottom view thereof;
 FIG. 10 is a left view thereof;
 FIG. 11 is a right view thereof; and,
 FIG. 12 is a horizontal cross-sectional view thereof taken along line 12-12 of FIG. 7.

The broken line disclosure in the views represents portions of the light box which form no part of the claimed design. The claimed design is comprised only of the disclosure shown in unbroken lines, and the area between the horizontal break lines forms no part of the claimed design.

1 Claim, 12 Drawing Sheets



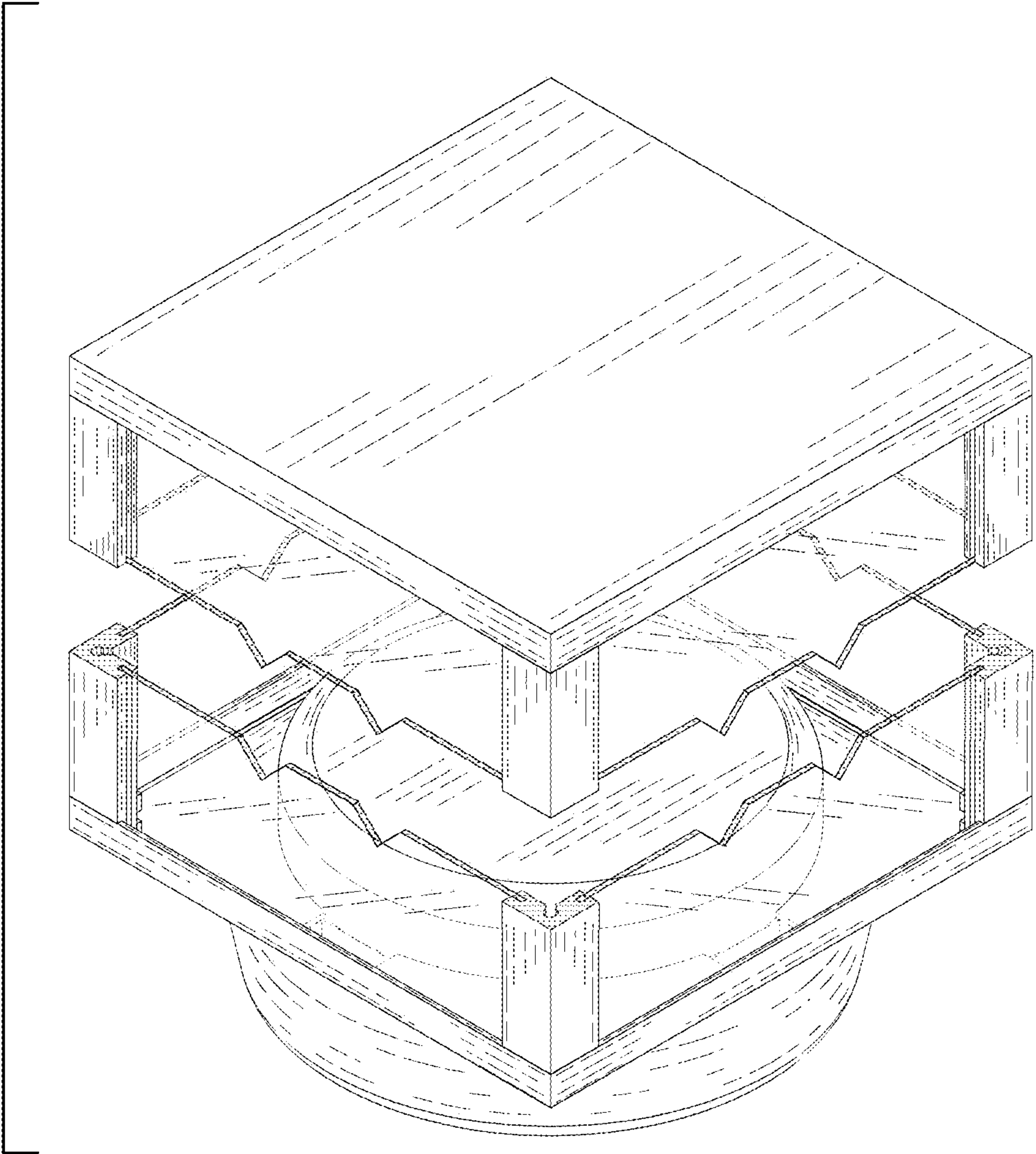


FIG. 1

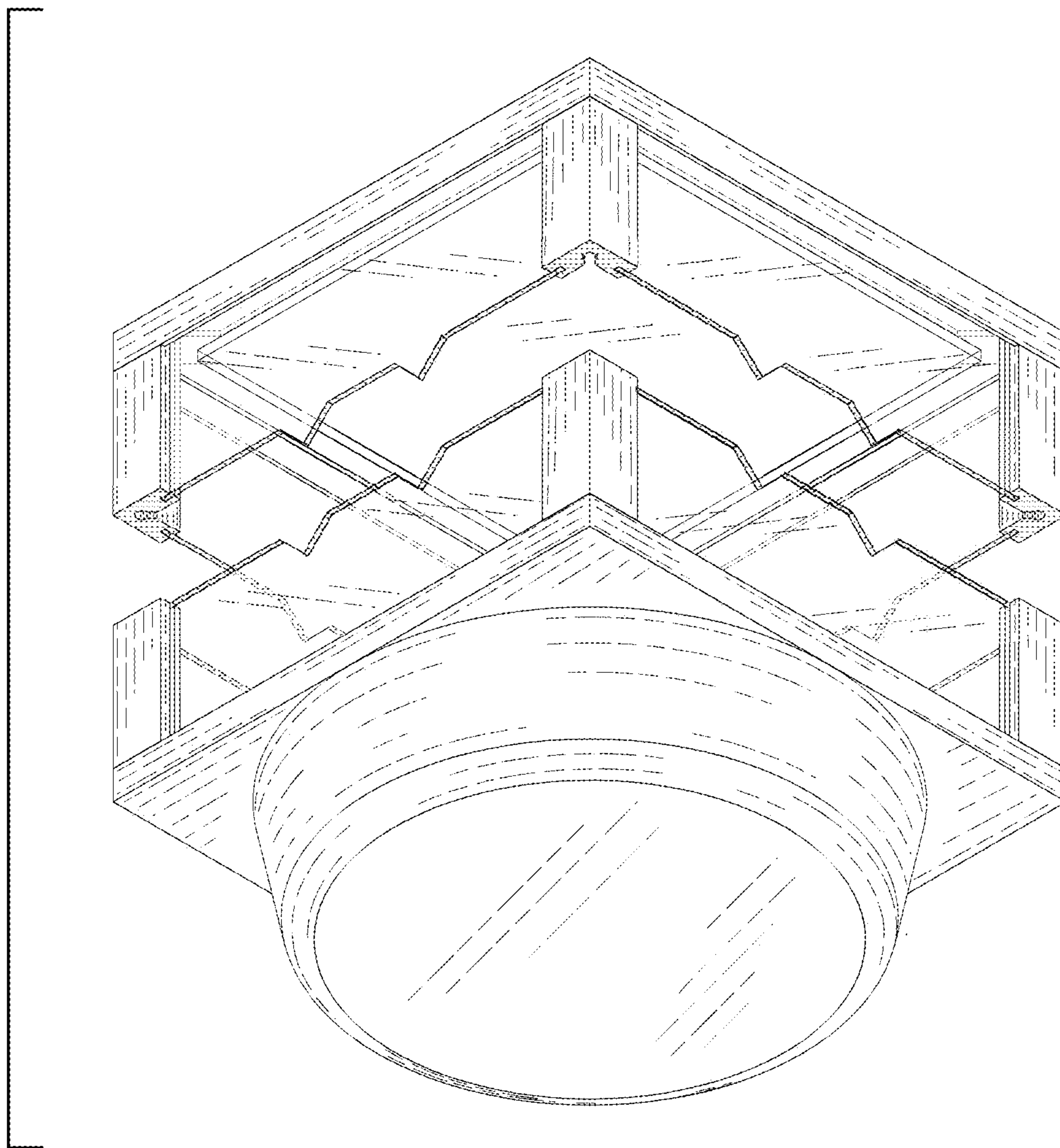


FIG. 2

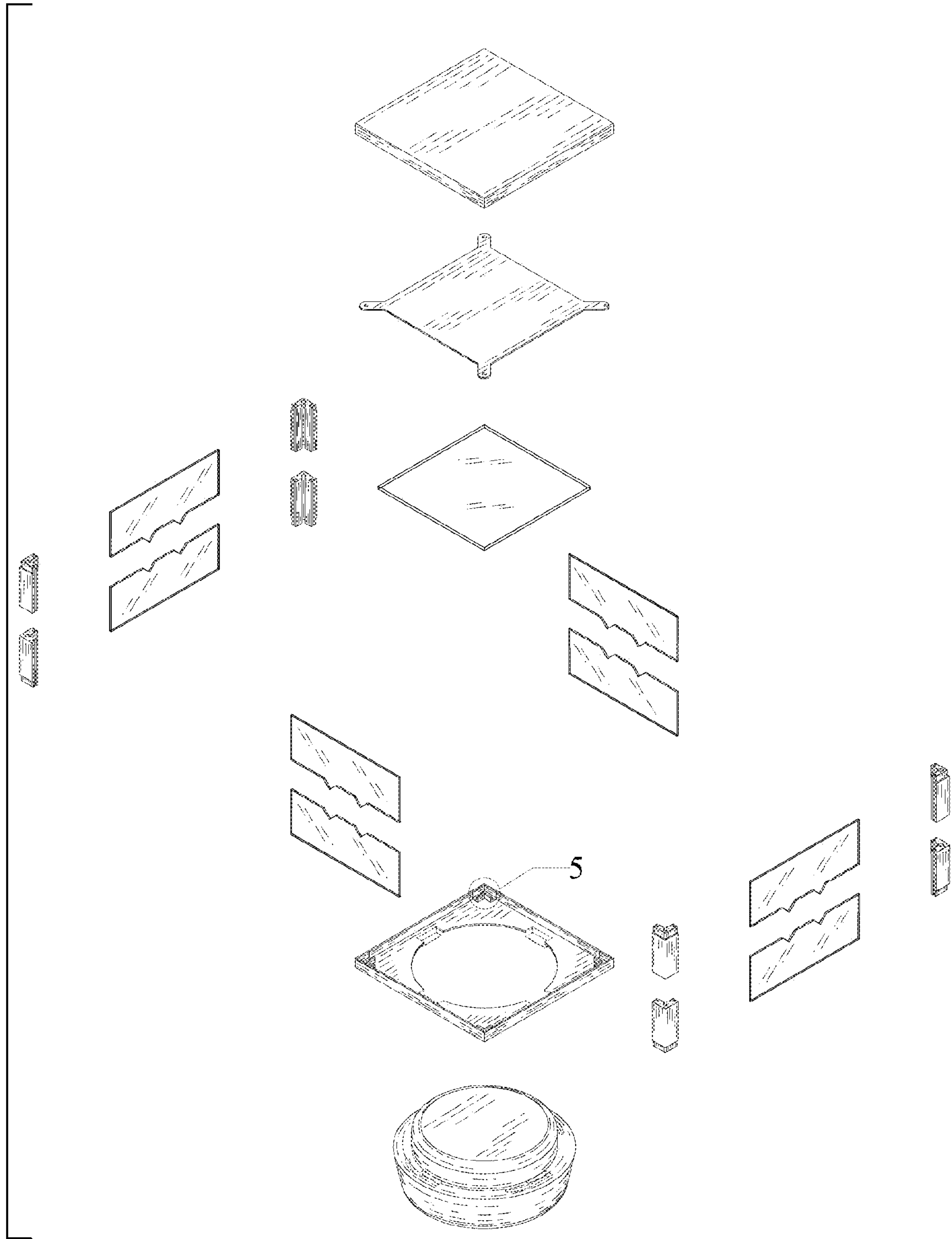


FIG. 3

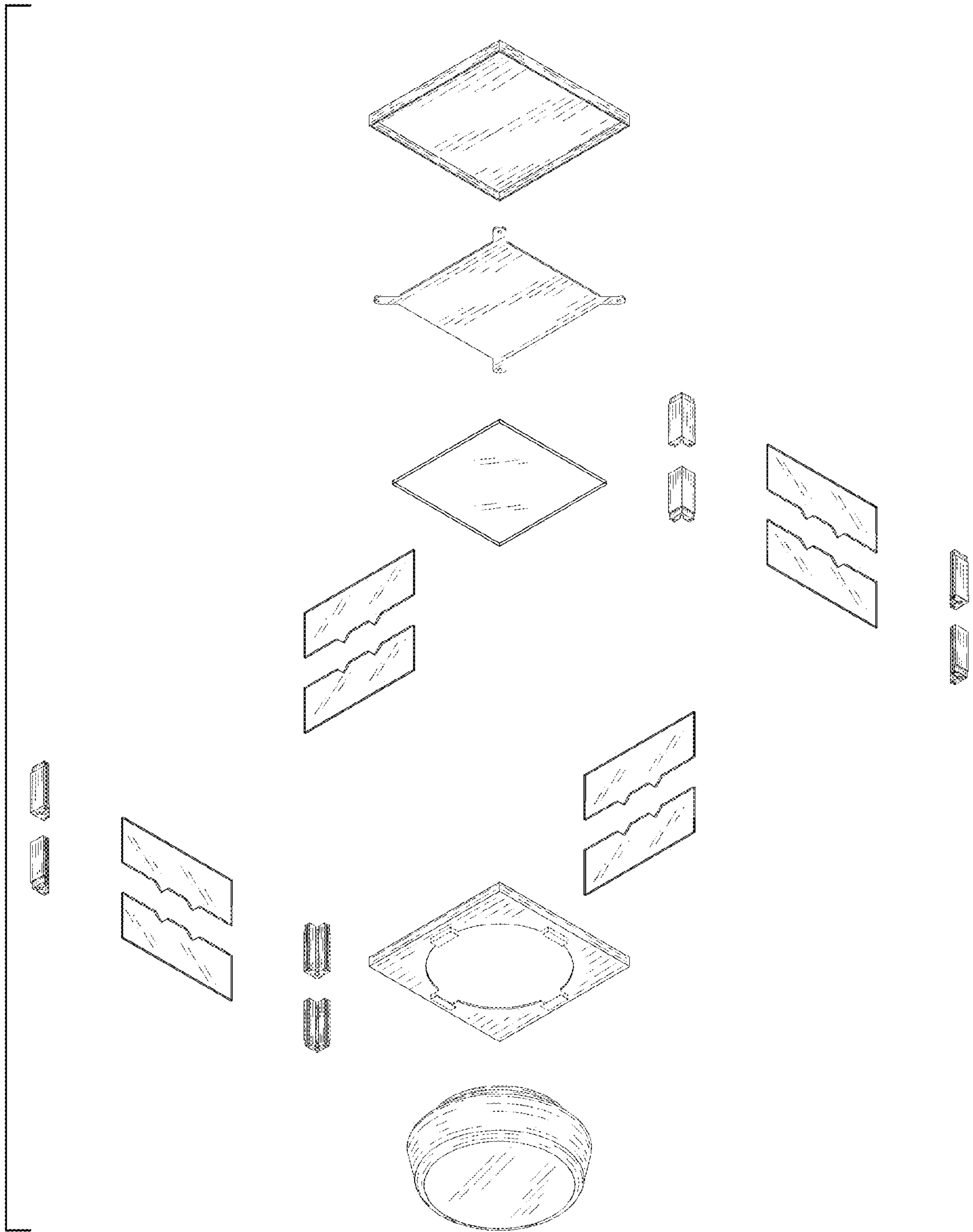


FIG. 4

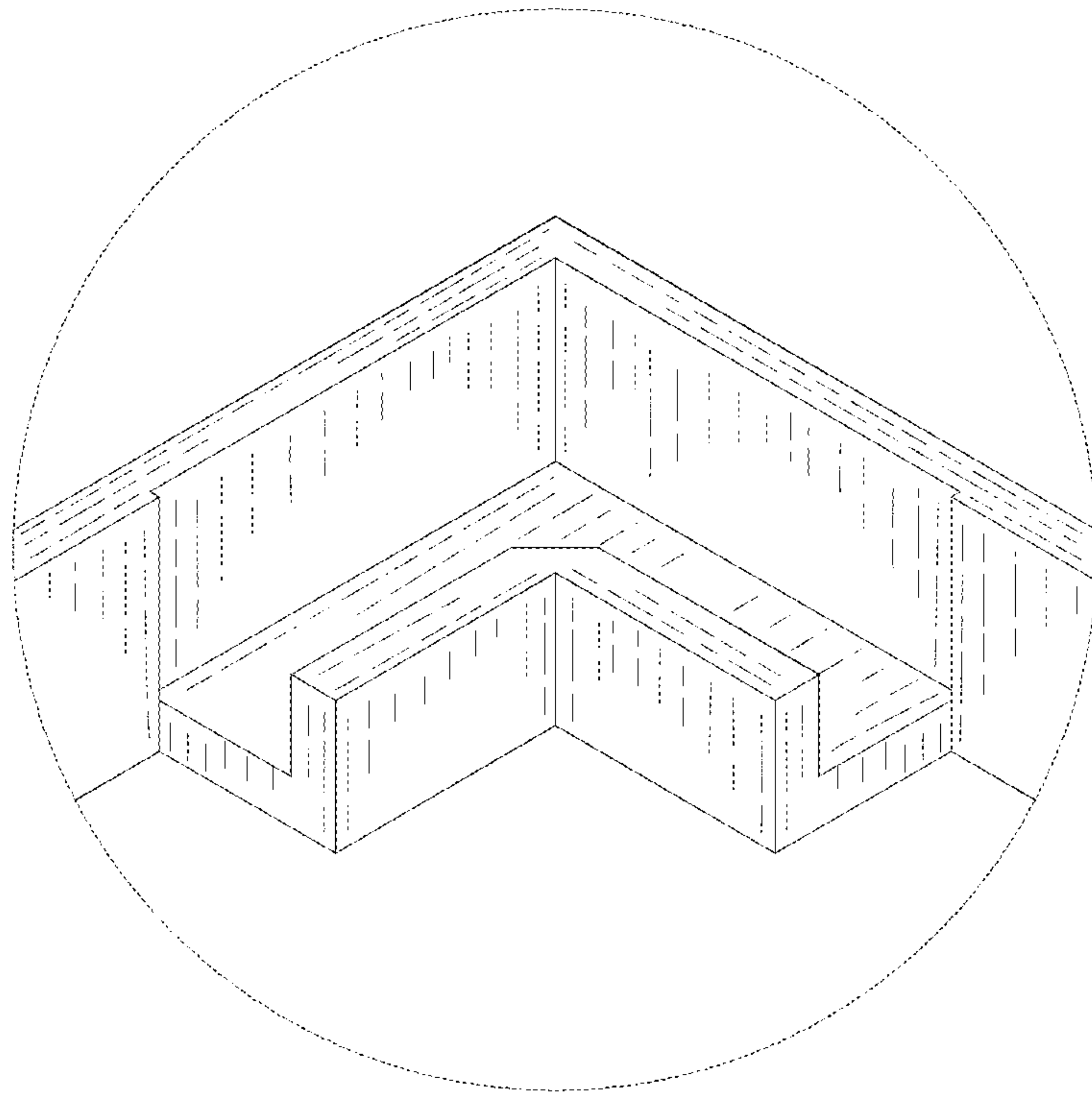


FIG. 5

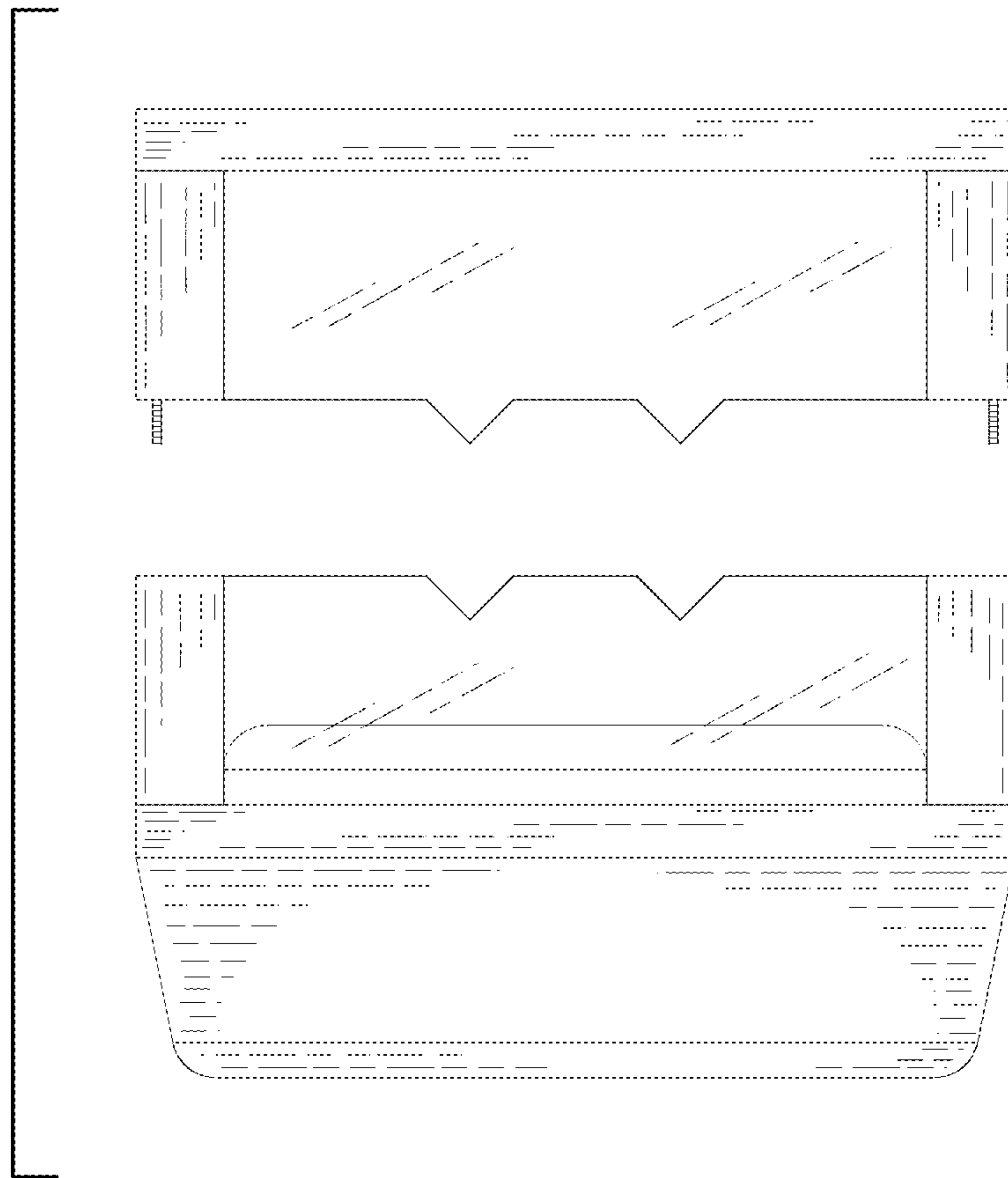


FIG. 6

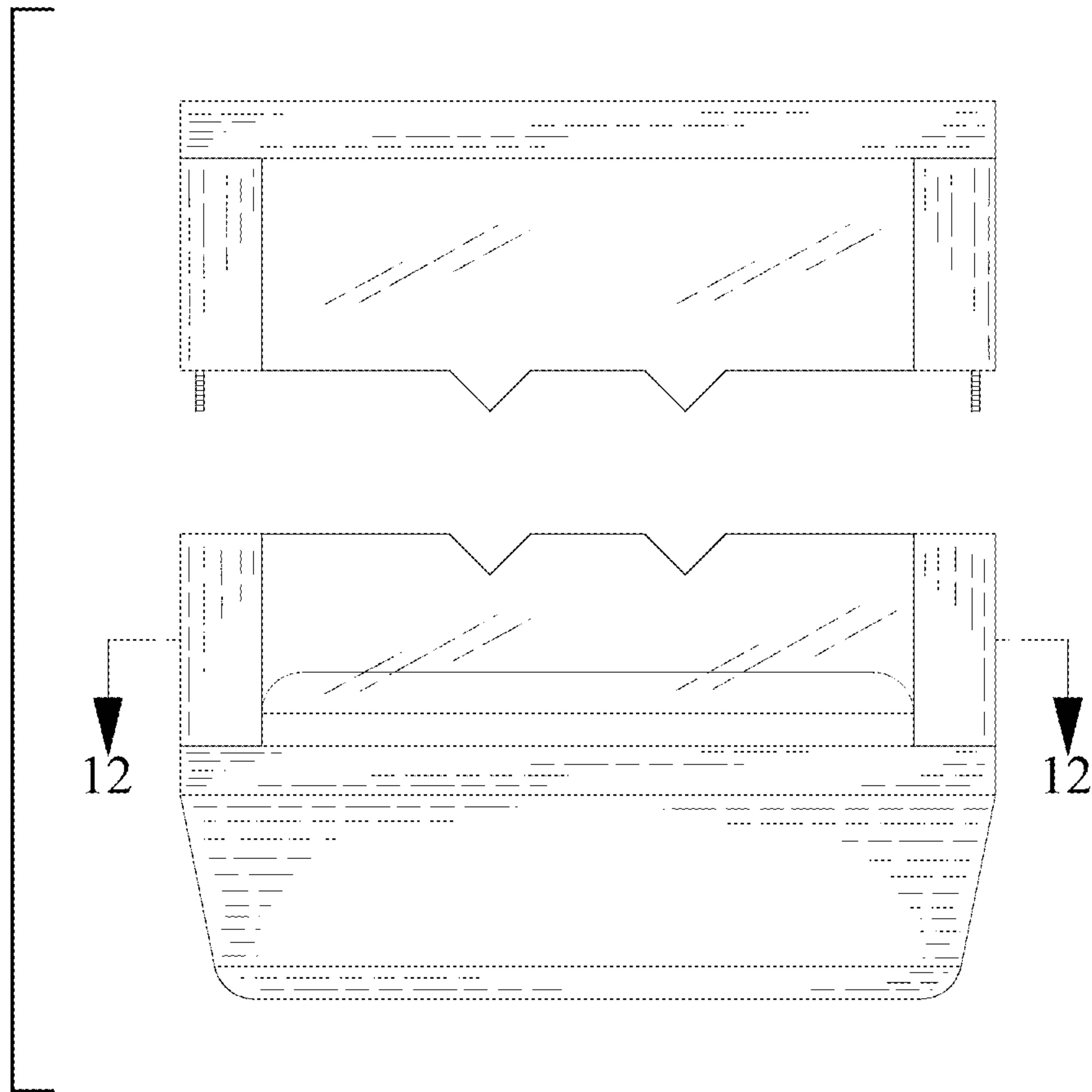


FIG. 7

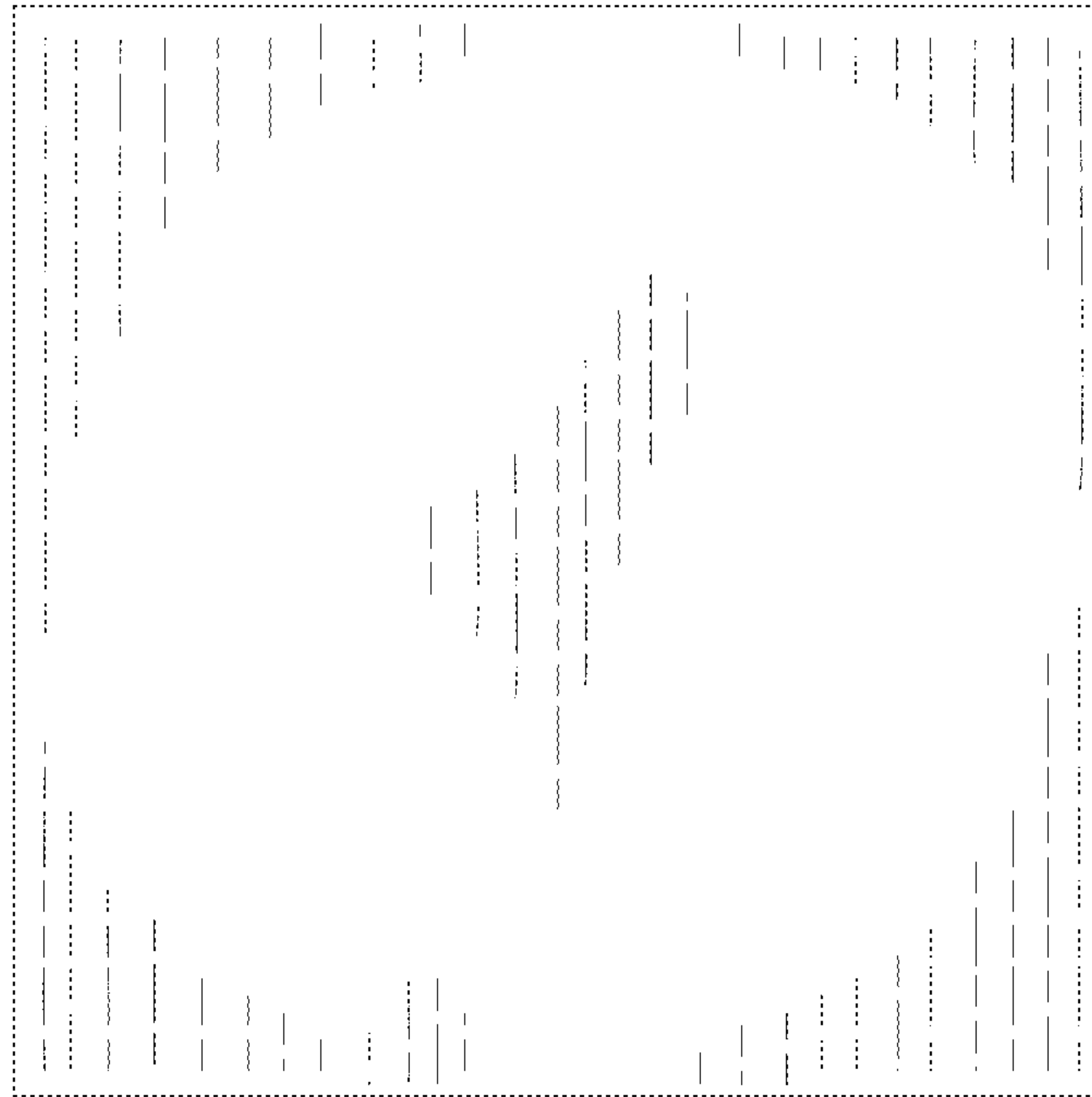


FIG. 8

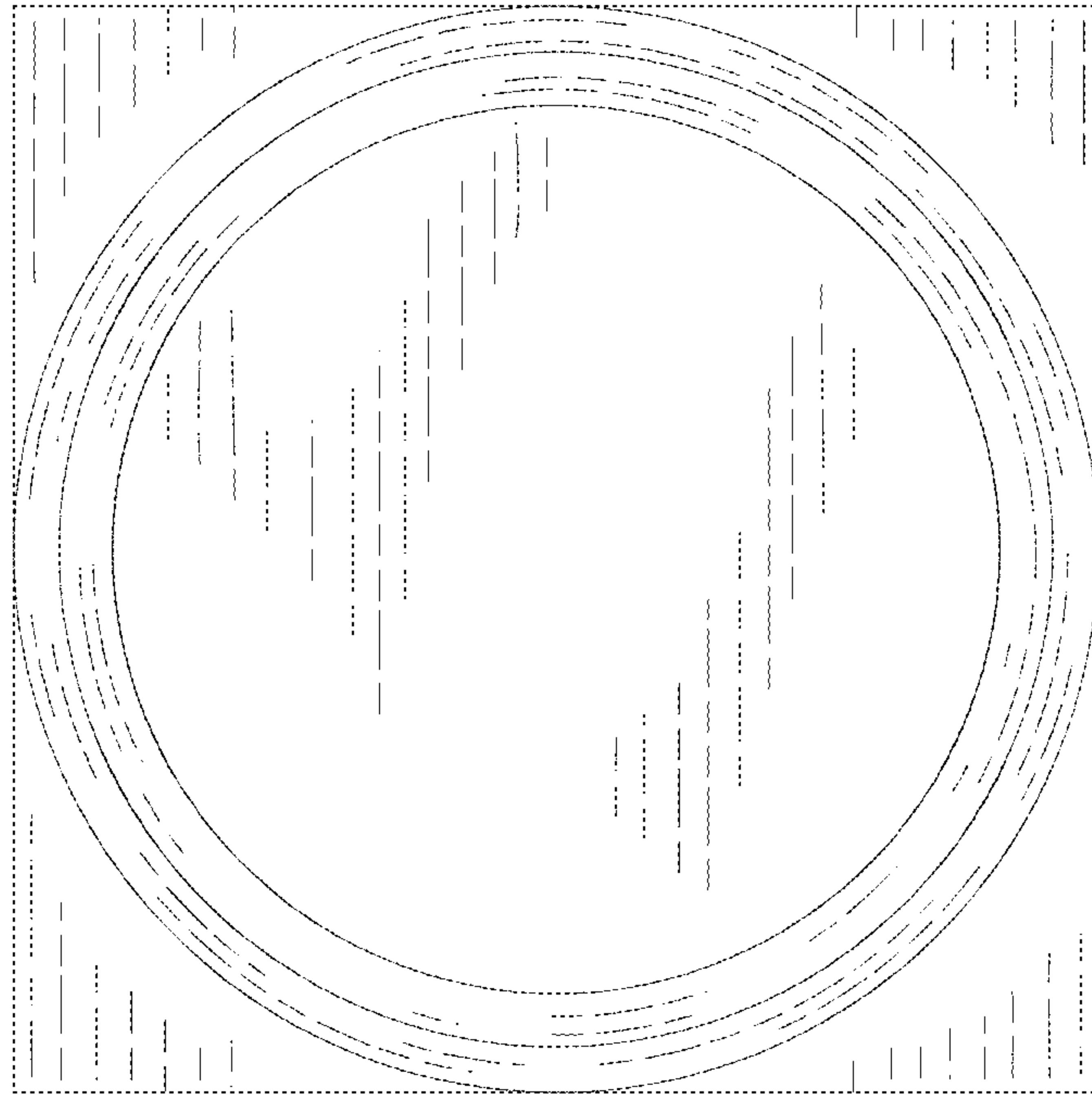


FIG. 9

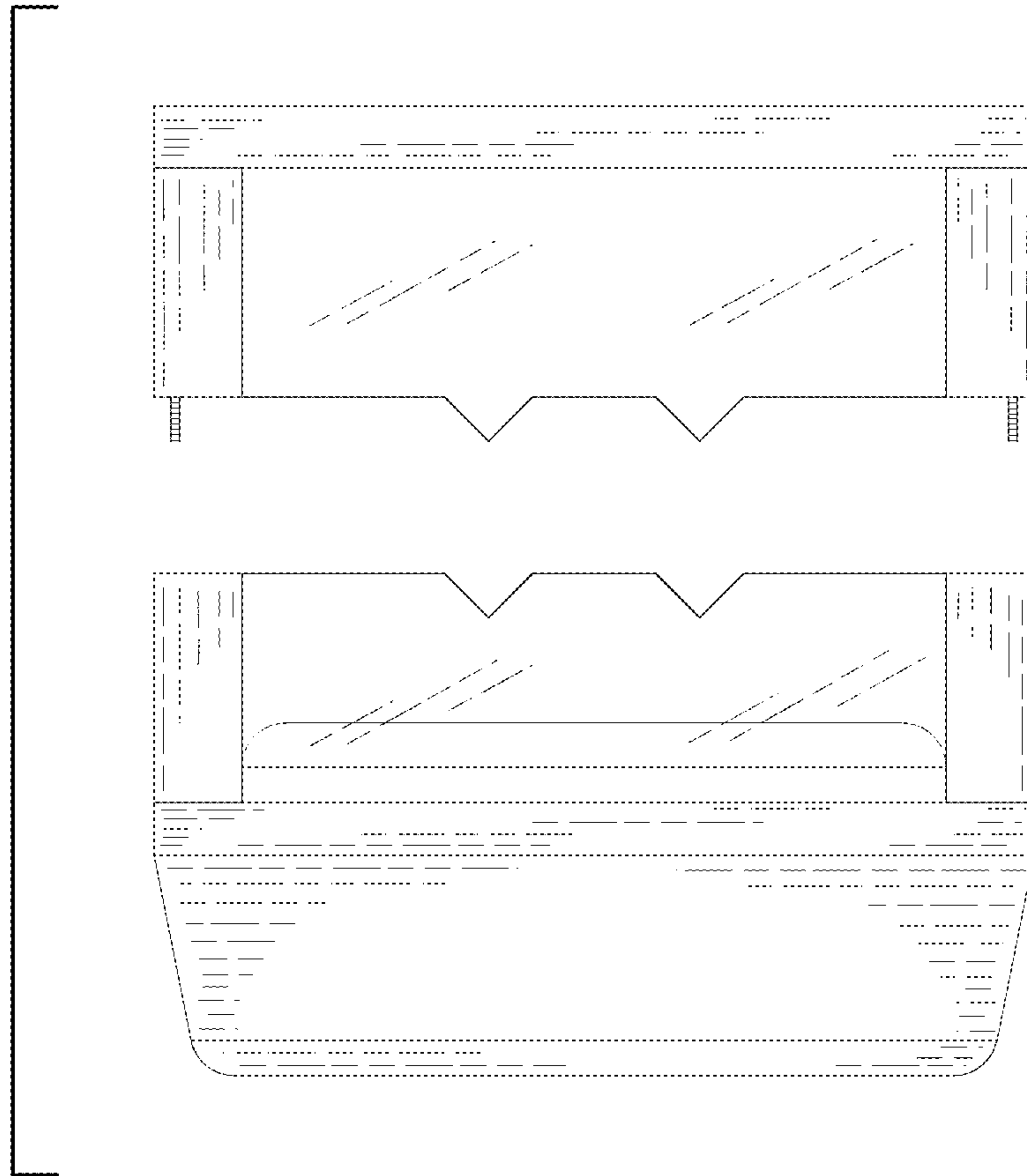


FIG. 10

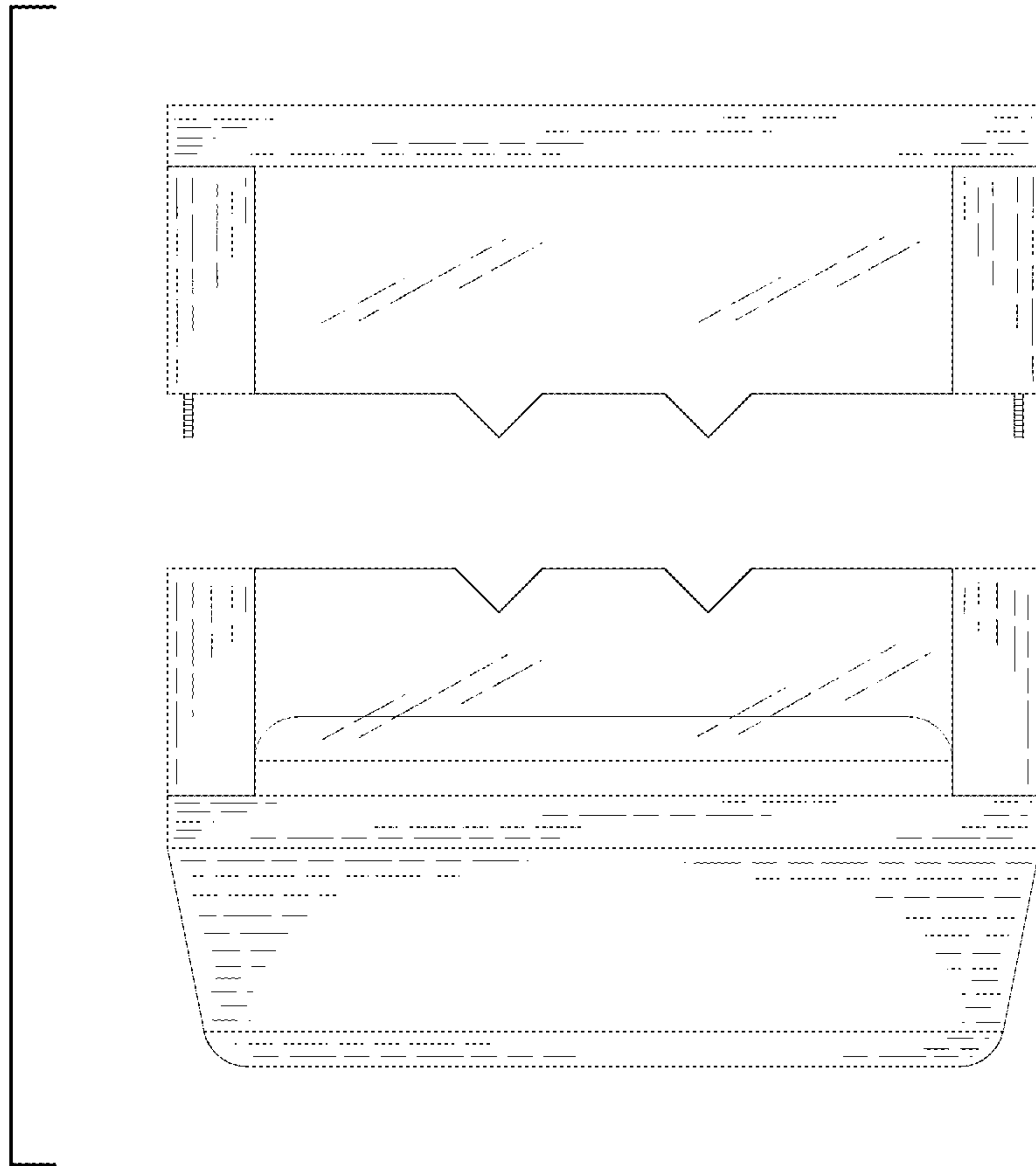


FIG. 11

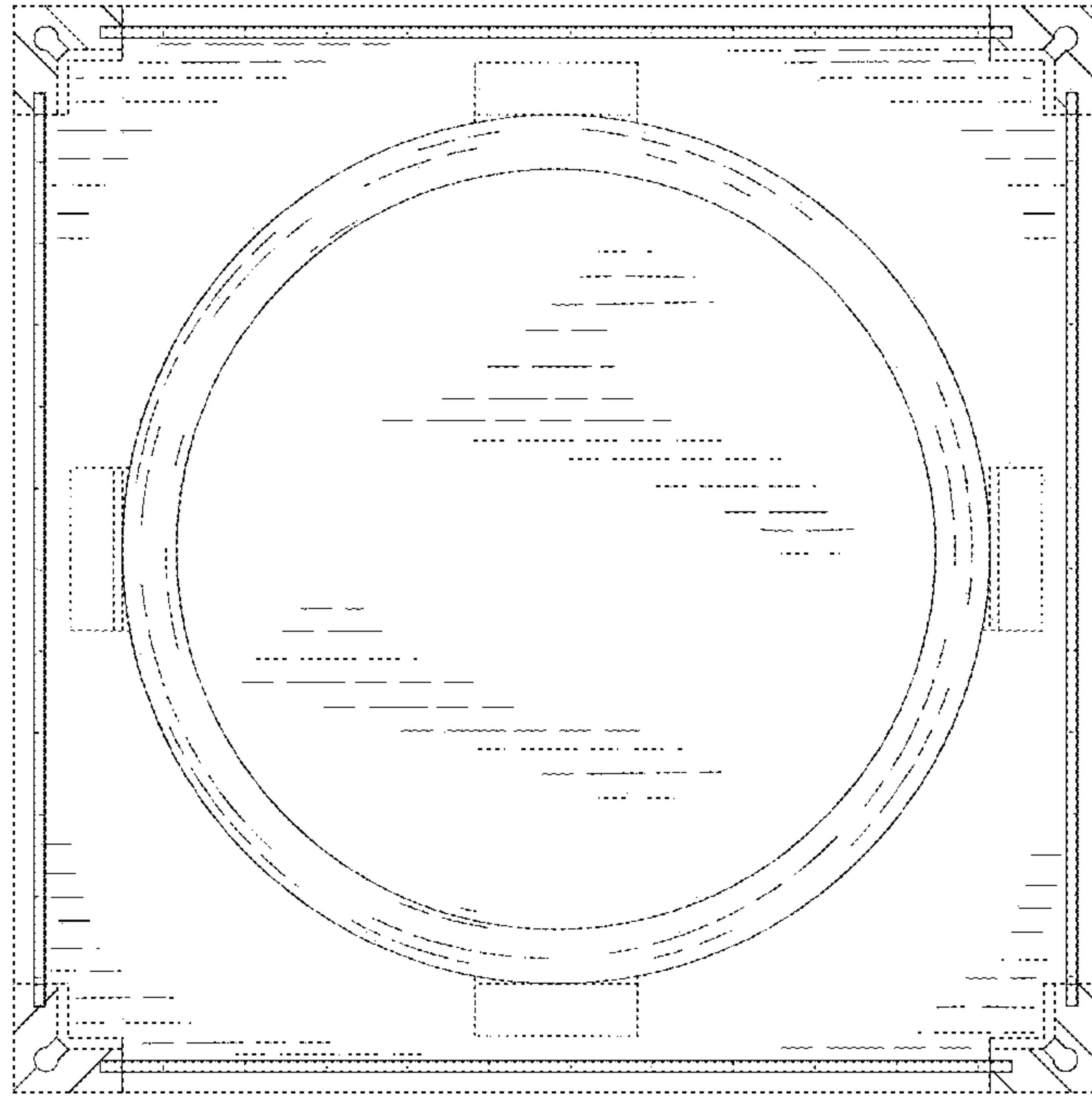


FIG. 12