



US00D882840S

(12) **United States Design Patent**
Liu

(10) **Patent No.:** **US D882,840 S**
(45) **Date of Patent:** **** Apr. 28, 2020**

- (54) **LED FLASHLIGHT**
- (71) Applicant: **Shenzhen HaiYiShenLan Technology Co., Ltd.**, Shenzhen (CN)
- (72) Inventor: **Yonghua Liu**, Shenzhen (CN)
- (73) Assignee: **SHENZHEN HAIYISHENLAN TECHNOLOGY CO., LTD**, Shenzhen (CN)
- (**) Term: **15 Years**
- (21) Appl. No.: **29/612,949**
- (22) Filed: **Aug. 4, 2017**
- (51) **LOC (12) Cl.** **26-02**
- (52) **U.S. Cl.**
USPC **D26/49**
- (58) **Field of Classification Search**
USPC D26/37-51
CPC F21L 2003/00; F21L 4/00; F21L 4/005;
F21L 4/02; F21L 4/025; F21L 4/027;
F21L 4/04; F21L 4/08; F21L 2005/00;
F21L 7/00; F21L 11/00; F21L 13/00;
F21L 13/04; F21L 13/08; F21L 14/02;
F21L 17/00; F21L 19/00; F21L 25/00
See application file for complete search history.

(56) **References Cited**

U.S. PATENT DOCUMENTS

D253,494 S *	11/1979	Sit-Lae	D26/49
D308,109 S *	5/1990	Maglica	D26/49
D368,786 S *	4/1996	Van Cort	D26/49
D371,214 S *	6/1996	Terry, Sr.	D26/49
D403,737 S *	1/1999	Howe	D22/134
D417,022 S *	11/1999	Chiu	D26/49
D419,254 S *	1/2000	Chiu	D26/49
D455,513 S *	4/2002	Galli	D26/49
D578,687 S *	10/2008	Hong	D26/37
D598,374 S *	8/2009	Sasada	D13/108

D599,045 S *	8/2009	Castellucci	D26/37
D607,591 S *	1/2010	Rivera	D26/49
D621,080 S *	8/2010	Chen	D26/49
D643,561 S *	8/2011	Maglica	D26/49
D645,816 S *	9/2011	Sasada	D13/108
D667,976 S *	9/2012	Wu	D26/49
D670,985 S *	11/2012	Tompkin	D26/49
D674,126 S *	1/2013	Mase	D26/49
D675,357 S *	1/2013	Shi	D26/49
D676,170 S *	2/2013	Feng	D26/38
D686,155 S *	7/2013	Nguyen	D13/103
D686,475 S *	7/2013	Wu	D3/210
D716,982 S *	11/2014	Corey	D26/49
D729,963 S *	5/2015	Windom	D26/38
D731,101 S *	6/2015	Stewart	D26/49
D743,075 S *	11/2015	Keaton	D22/108
D747,521 S *	1/2016	Sheikh	D22/117
D749,044 S *	2/2016	Huang	D13/108
D759,814 S *	6/2016	Newman	D24/130
D775,753 S *	1/2017	Bo	D26/49

(Continued)

Primary Examiner — Lakiya G Rogers

Assistant Examiner — Carissa C Fitts

(57) **CLAIM**

The ornamental design for a LED flashlight, as shown and described.

DESCRIPTION

FIG. 1 is a front perspective view of a LED flashlight showing my new design.

FIG. 2 is a rear perspective view thereof.

FIG. 3 is a front view thereof.

FIG. 4 is a rear view thereof.

FIG. 5 is a left side view thereof.

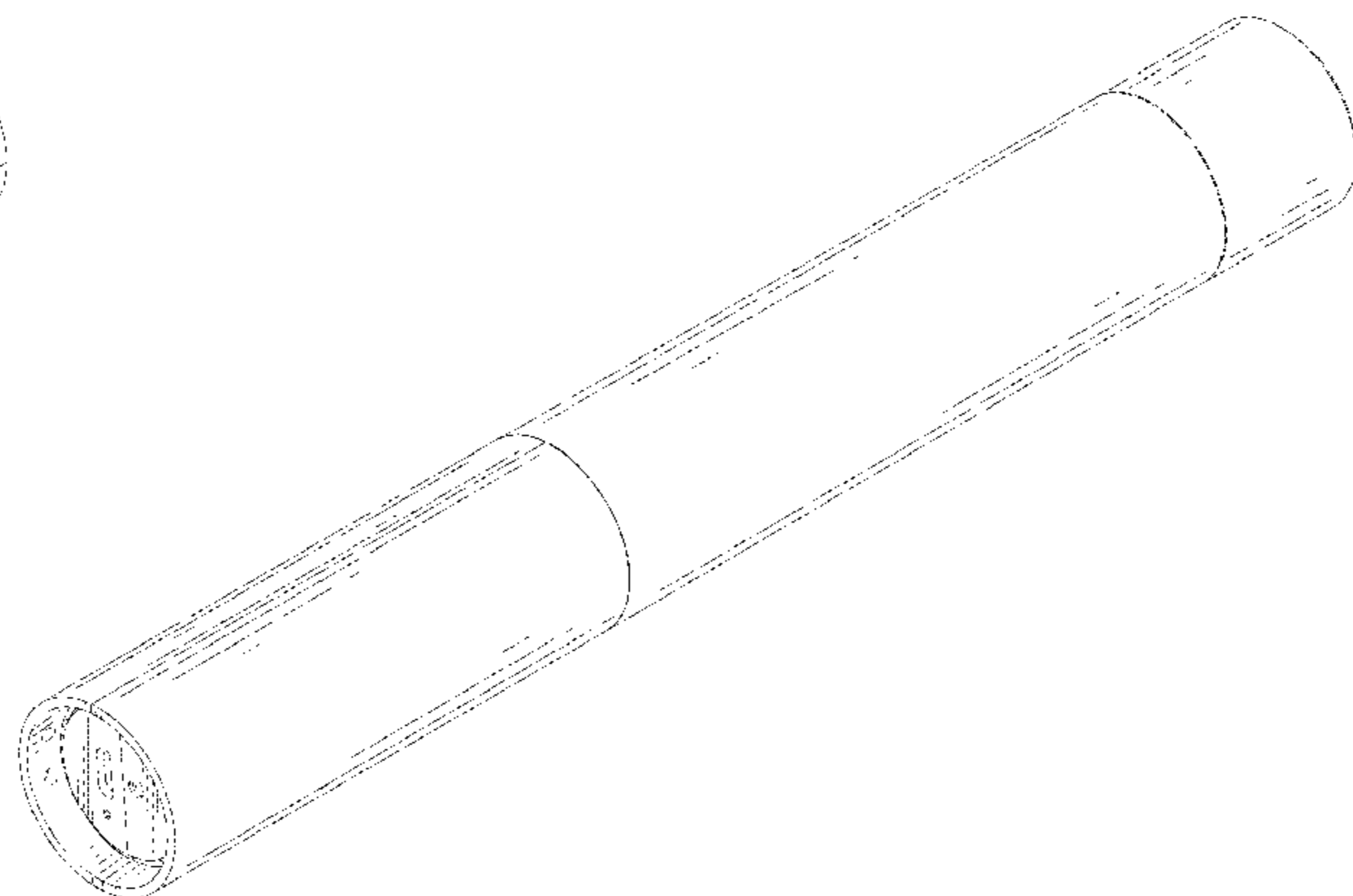
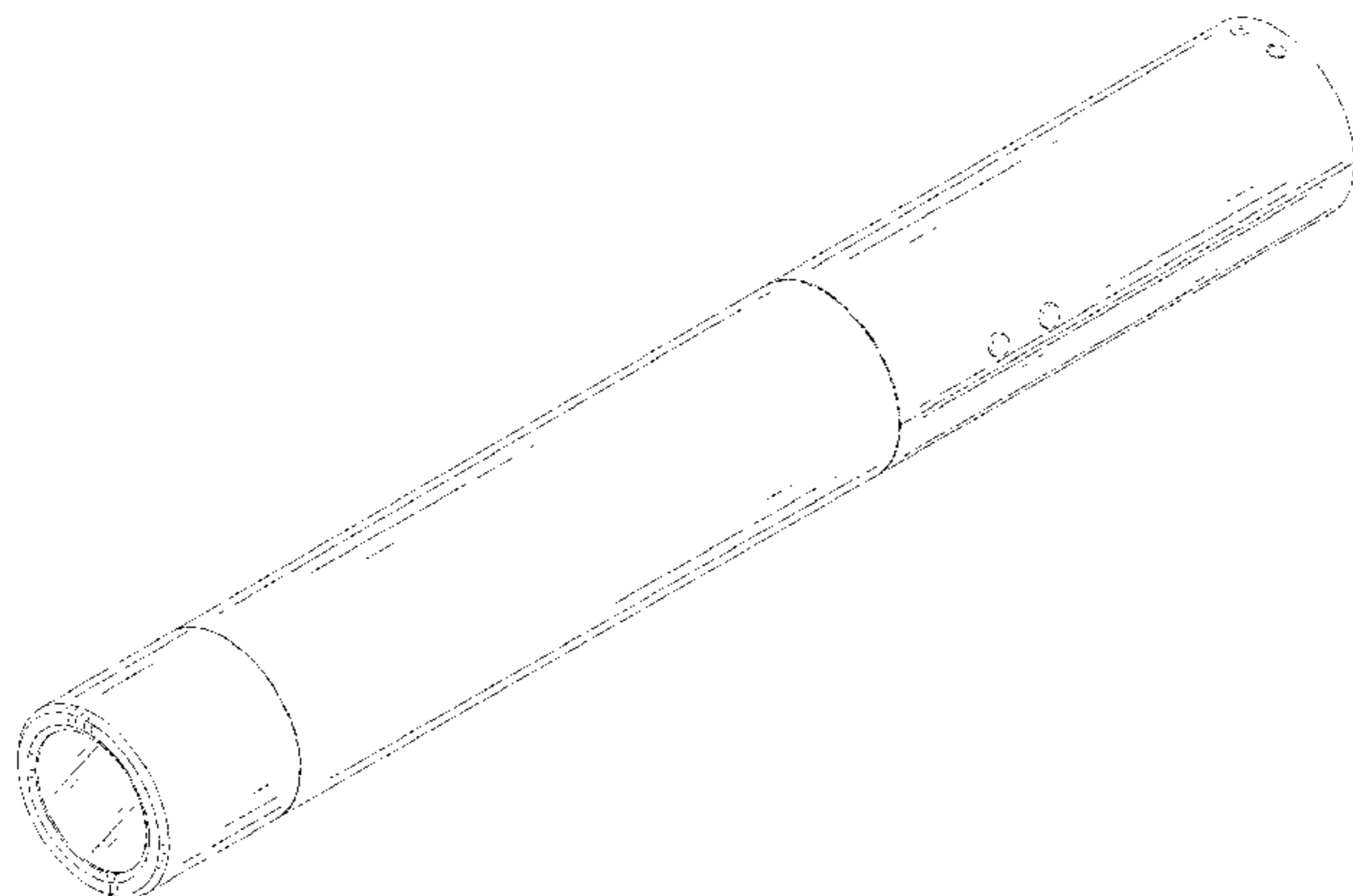
FIG. 6 is a right side view thereof.

FIG. 7 is a top view thereof; and,

FIG. 8 is a bottom view thereof.

The broken lines in the drawings represent unclaimed subject matter and form no part of the claim.

1 Claim, 8 Drawing Sheets



(56)

References Cited

U.S. PATENT DOCUMENTS

D780,115 S *	2/2017	Huang	D13/107
D795,870 S *	8/2017	Jentz	D14/388
D799,087 S *	10/2017	Koshiba	D26/49
D808,754 S *	1/2018	Brouillac	D8/42
D809,171 S *	1/2018	Ma	D26/49
D818,621 S *	5/2018	Kunzendorf	D26/49
D831,250 S *	10/2018	Wu	D26/49
D840,854 S *	2/2019	Shi	D10/114.1
D842,516 S *	3/2019	Qiu	D26/49
D842,517 S *	3/2019	Davidson	D26/49
D843,623 S *	3/2019	Wu	D26/49
D844,204 S *	3/2019	Ma	D26/49
D845,266 S *	4/2019	Zhong	D14/188
D866,559 S *	11/2019	Shim	D14/435

* cited by examiner

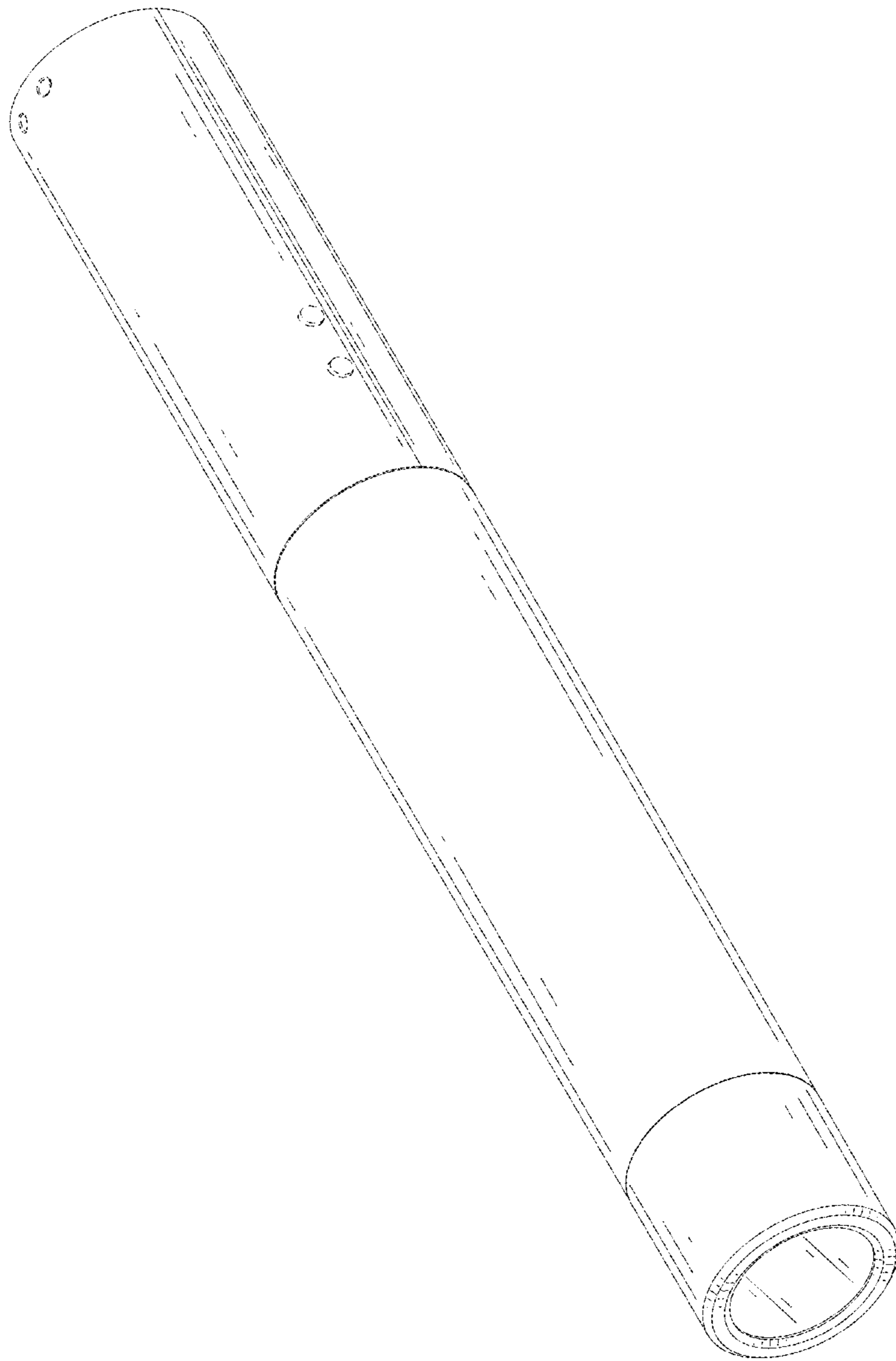


FIG. 1

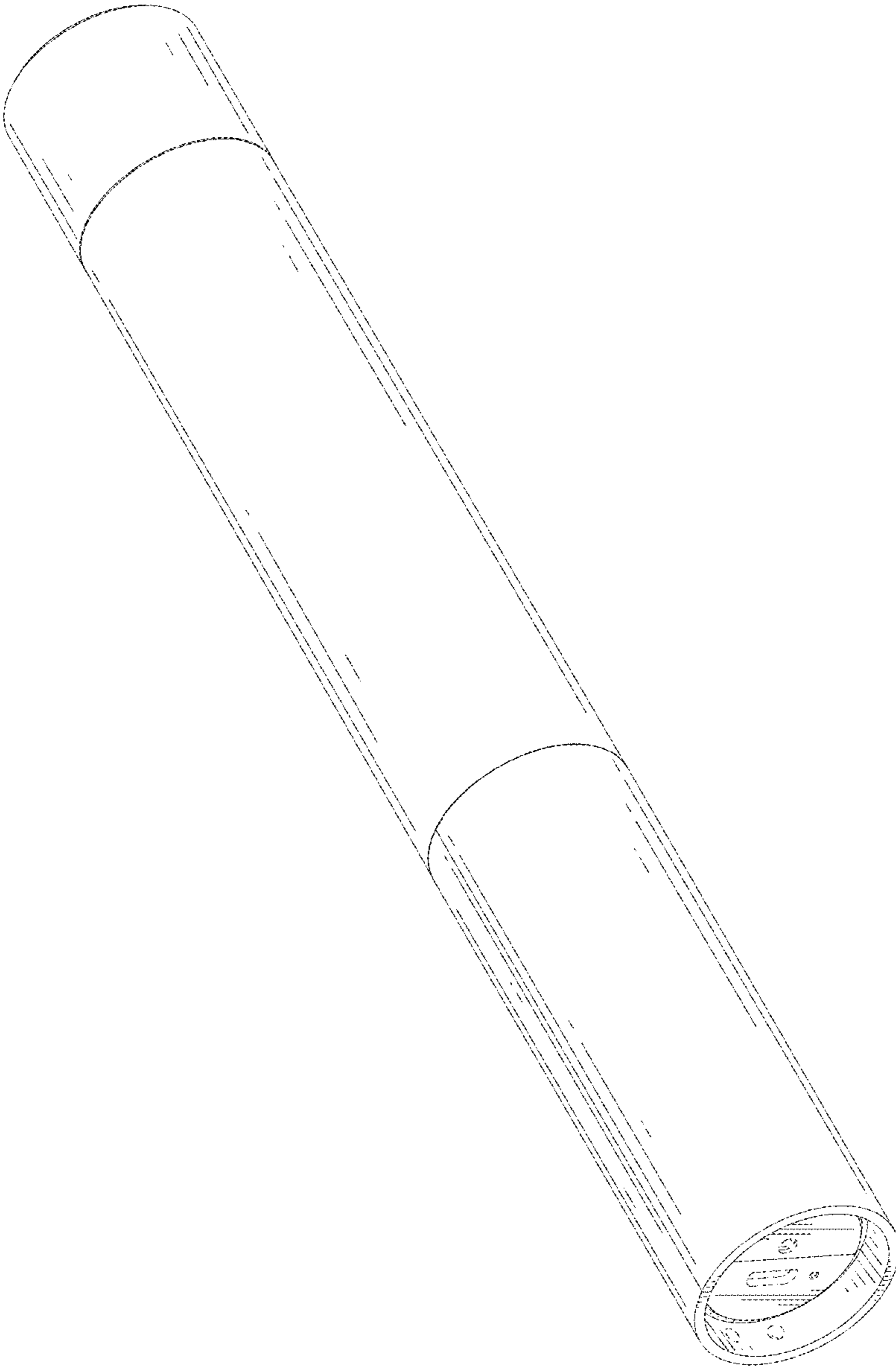


FIG. 2

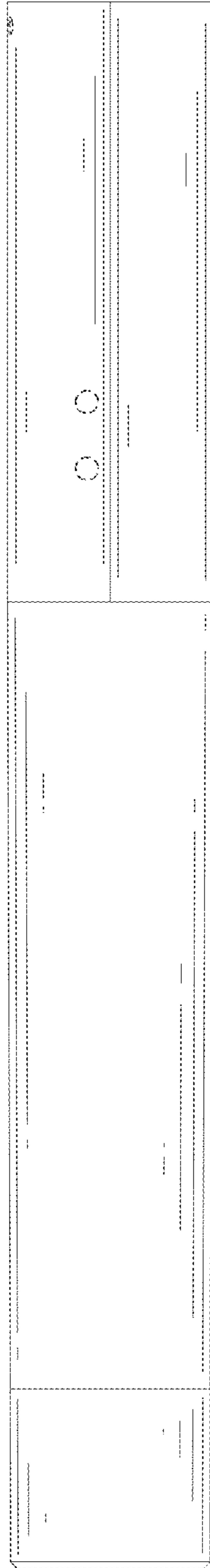


FIG. 3

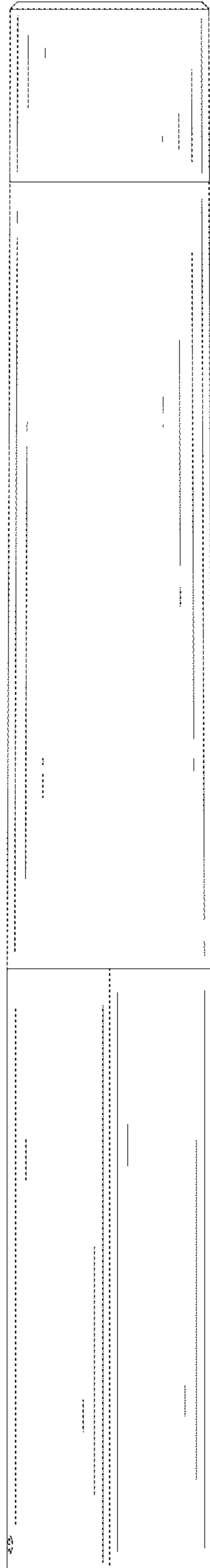


FIG. 4

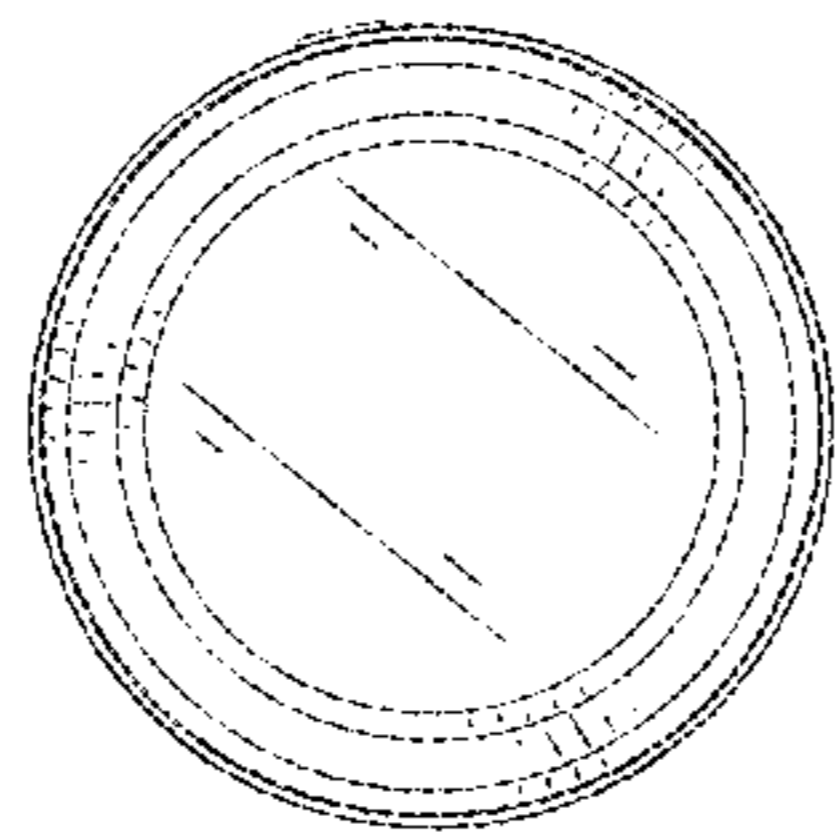


FIG. 5

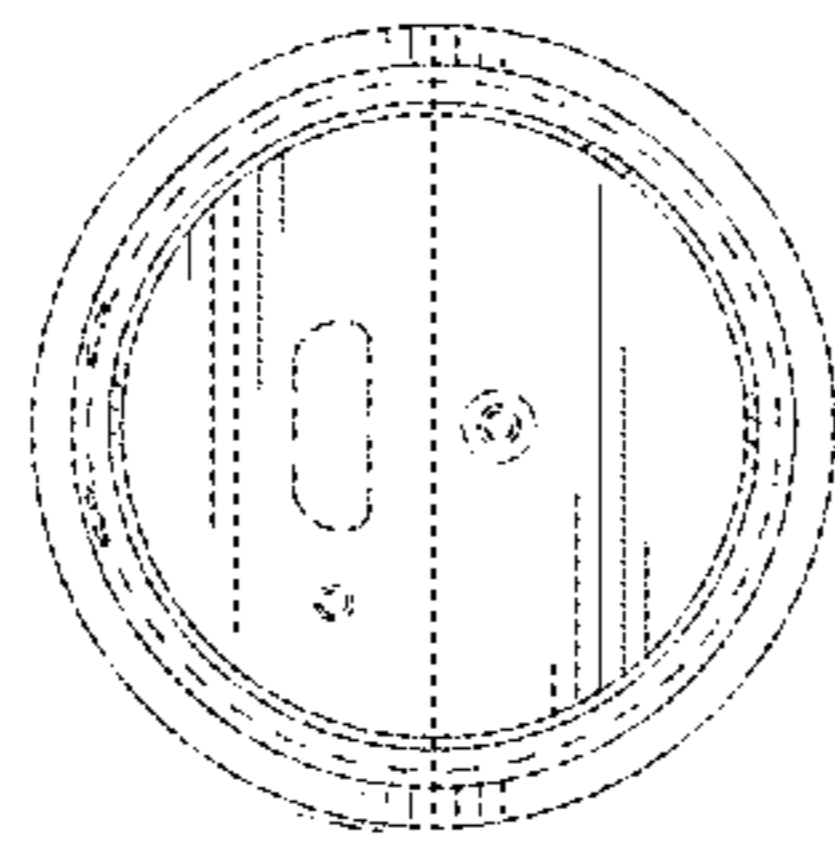


FIG. 6

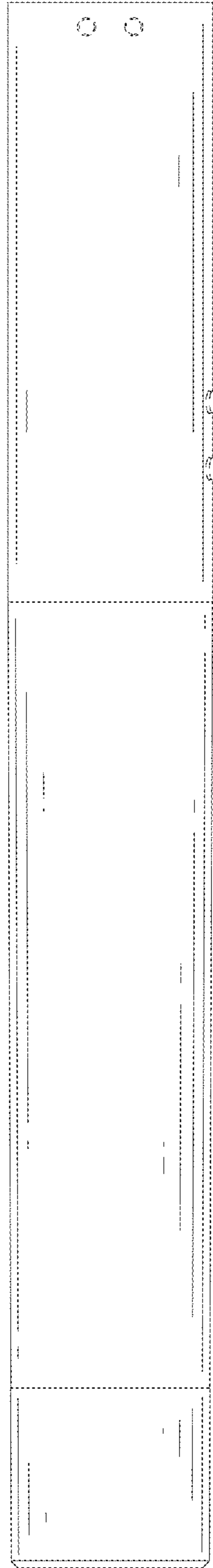


FIG. 7

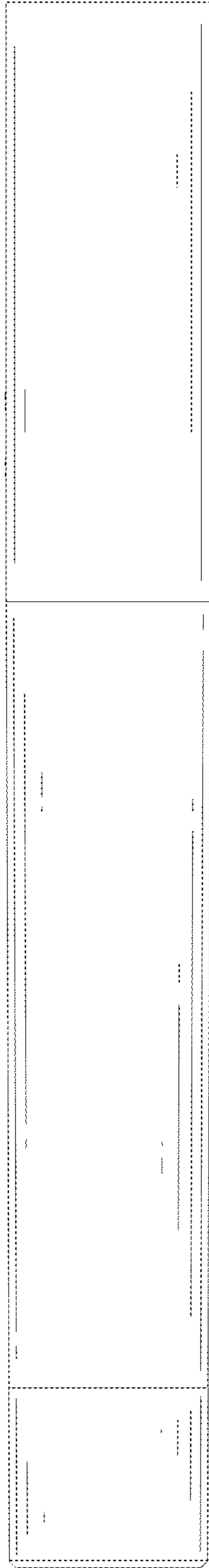


FIG. 8