



US00D882835S

(12) **United States Design Patent**  
**Harriton et al.**

(10) **Patent No.:** **US D882,835 S**  
(45) **Date of Patent:** **\*\* Apr. 28, 2020**

(54) **DRIVING LIGHT**

(71) Applicant: **StreetCar ORV, LLC**, Wixom, MI  
(US)

(72) Inventors: **David Harriton**, Missoula, MT (US);  
**Mark Stouffer**, Oakland Township, MI  
(US)

(73) Assignee: **StreetCar ORV LLC**, Wixom, MI  
(US)

(\*\*) Term: **15 Years**

(21) Appl. No.: **29/668,467**

(22) Filed: **Oct. 30, 2018**

(51) **LOC (12) Cl.** ..... **26-06**

(52) **U.S. Cl.**  
USPC ..... **D26/28**

(58) **Field of Classification Search**  
USPC ..... D26/28–36, 139  
CPC ..... F21S 48/00; F21S 48/10; F21S 48/115;  
F21S 48/225; F21S 48/1233; F21S  
48/1266; F21S 48/1388; F21S 48/2268;  
F21V 21/04; F21V 29/004; B60Q 9/13;  
B60Q 9/135; B60Q 9/1375  
See application file for complete search history.

(56) **References Cited**

U.S. PATENT DOCUMENTS

D490,172 S \* 5/2004 Yamamoto ..... D26/28  
D564,683 S \* 3/2008 Roach ..... D26/28

D626,670 S \* 11/2010 Metzger ..... D26/28  
D688,400 S \* 8/2013 Haumann ..... D26/28  
D716,477 S \* 10/2014 Chu ..... D26/28  
D718,478 S \* 11/2014 Adams ..... D26/28

\* cited by examiner

*Primary Examiner* — Marcus A Jackson  
(74) *Attorney, Agent, or Firm* — Quinn IP Law

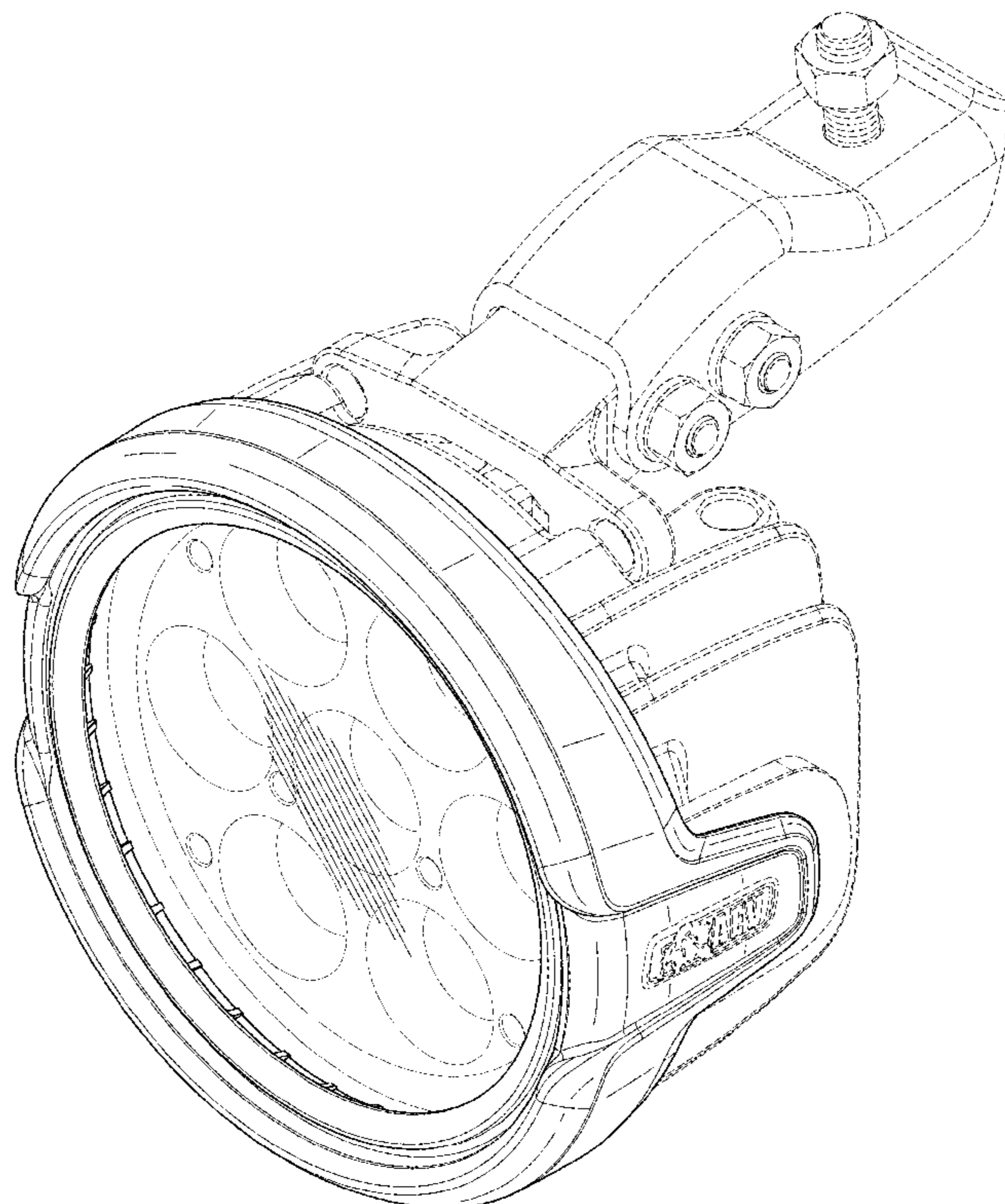
(57) **CLAIM**

The ornamental design for a driving light, as shown and described.

**DESCRIPTION**

FIG. 1 is a top, front, and left perspective view of a driving light showing our new design;  
FIG. 2 is a front elevation view of the driving light of FIG. 1;  
FIG. 3 is a rear elevation view of the driving light of FIG. 1;  
FIG. 4 is a right side view of the driving light of FIG. 1;  
FIG. 5 is a left side view of the driving light of FIG. 1;  
FIG. 6 is a top view of the driving light of FIG. 1;  
FIG. 7 is a bottom view of the driving light of FIG. 1; and,  
FIG. 8 is a rear, left, and top perspective view of the driving light of FIG. 1.  
The broken lines represent structure or features that form no part of the claimed design.

**1 Claim, 8 Drawing Sheets**



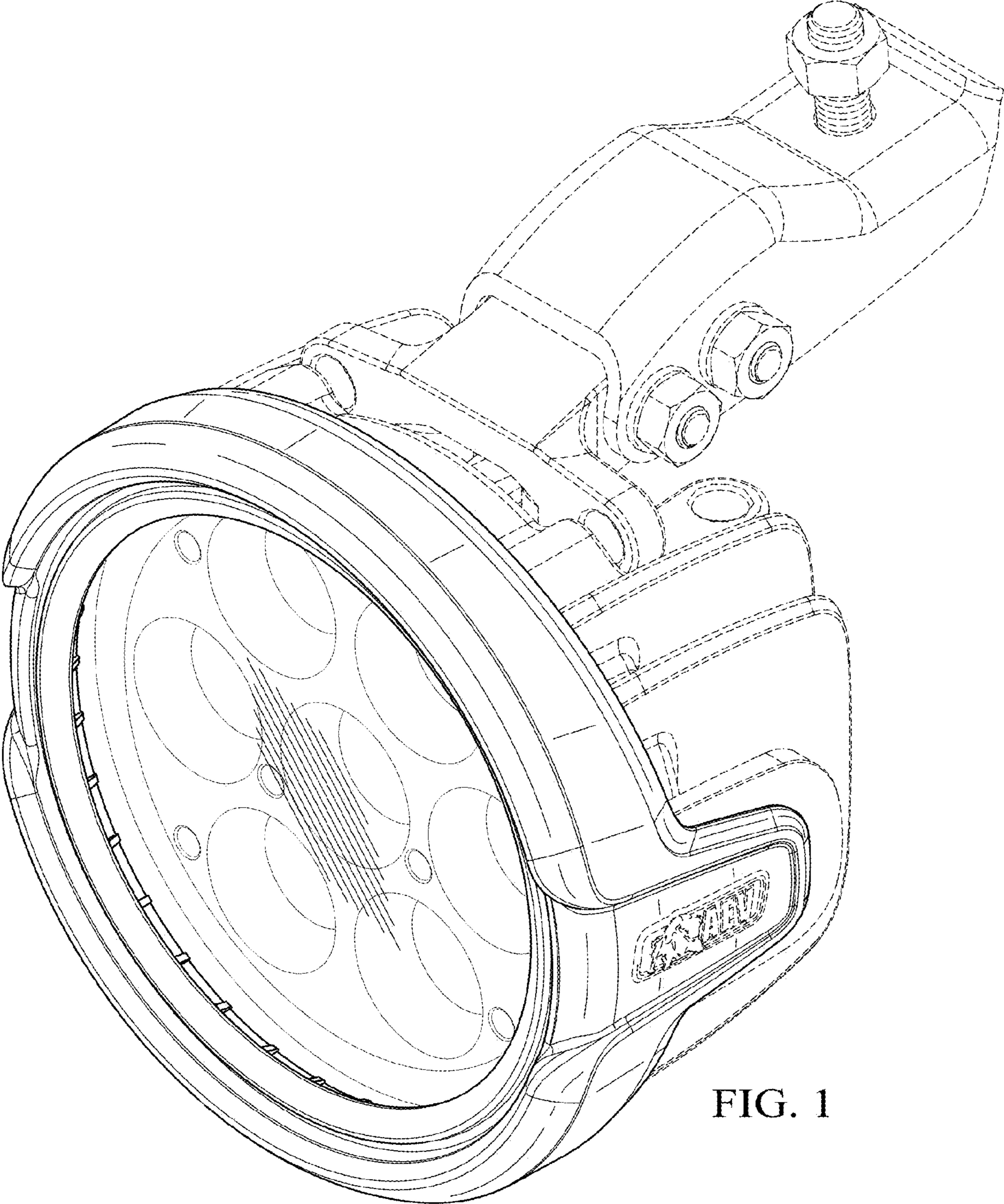


FIG. 1

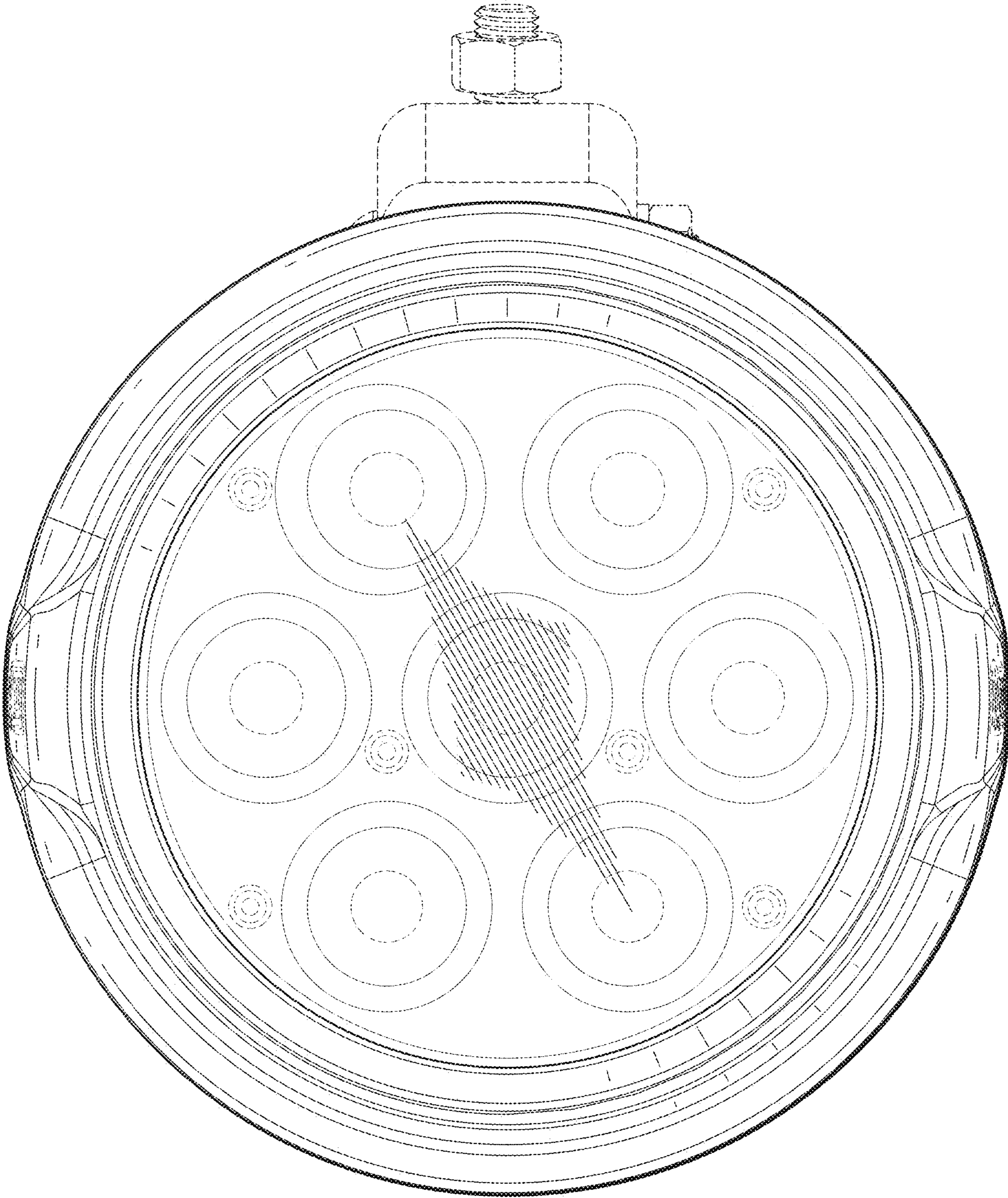


FIG. 2

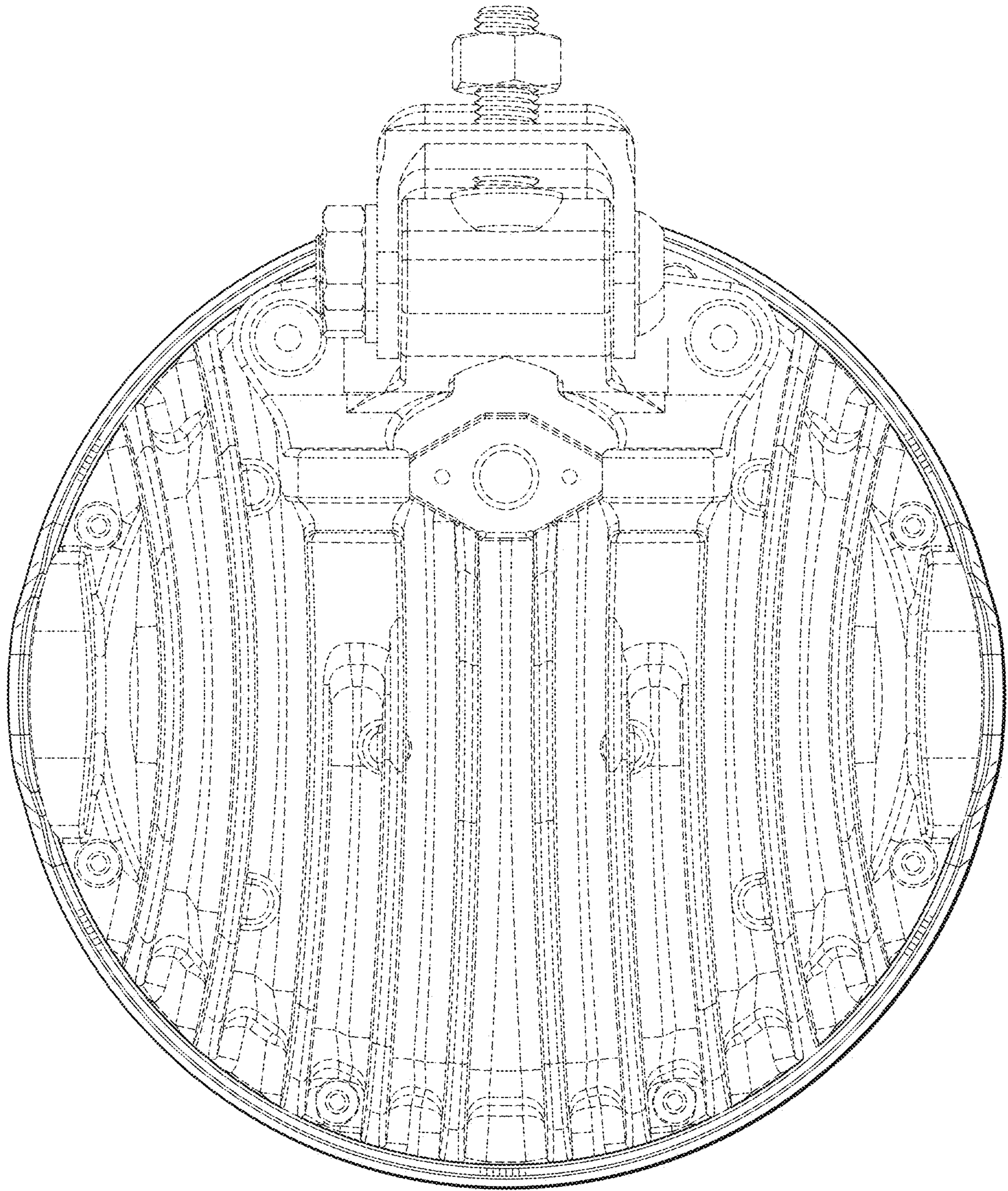


FIG. 3

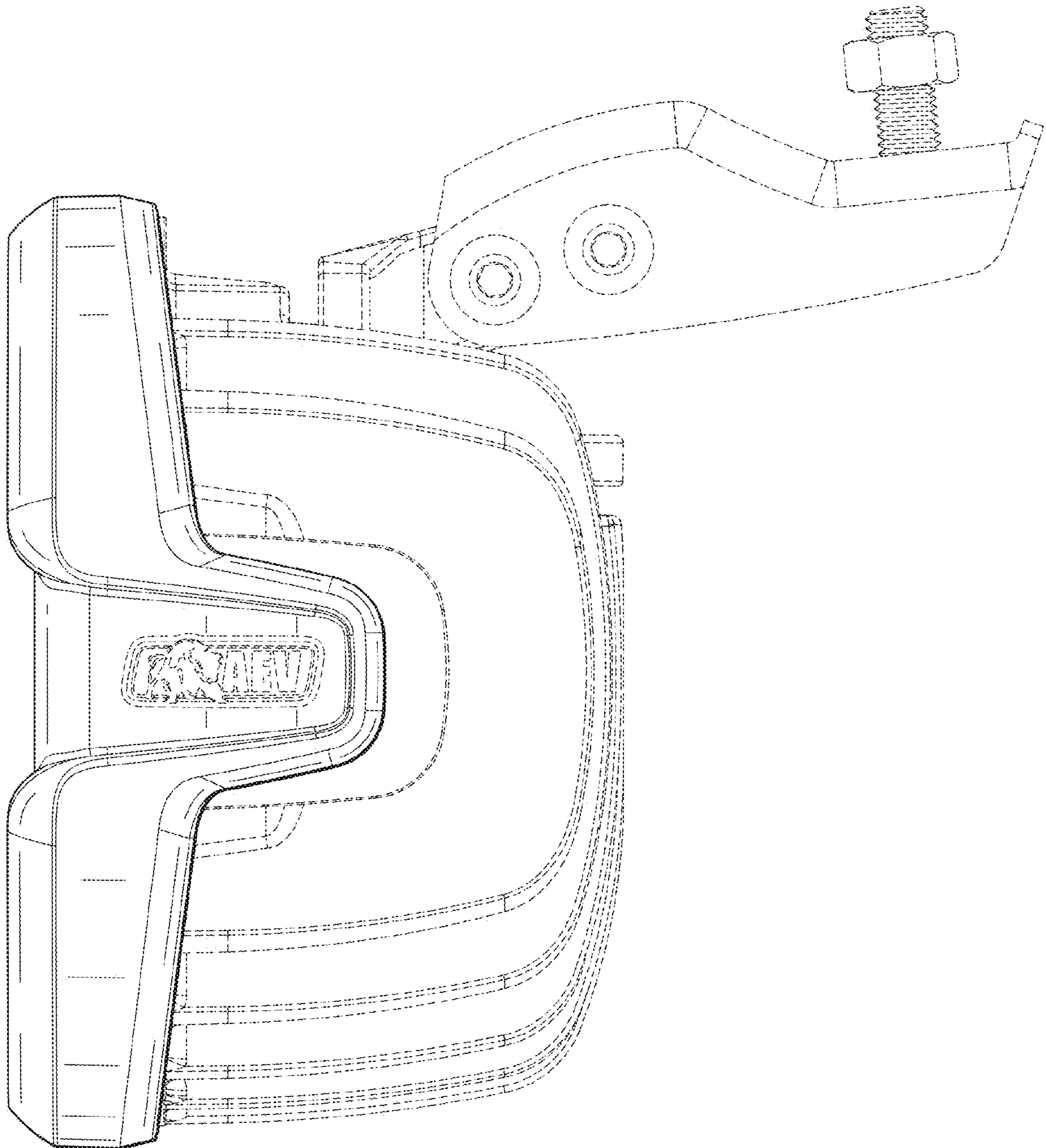


FIG. 4

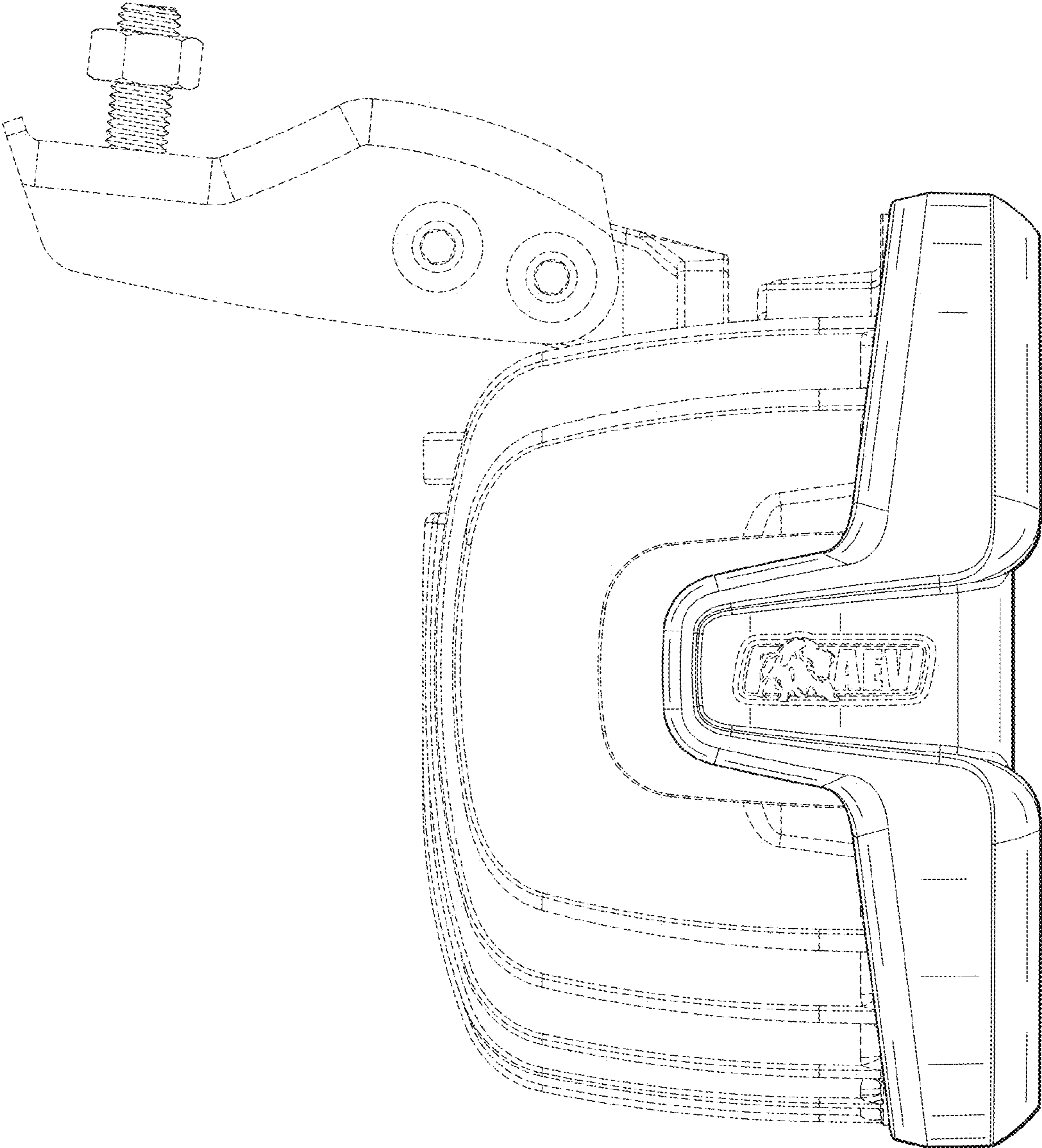


FIG. 5

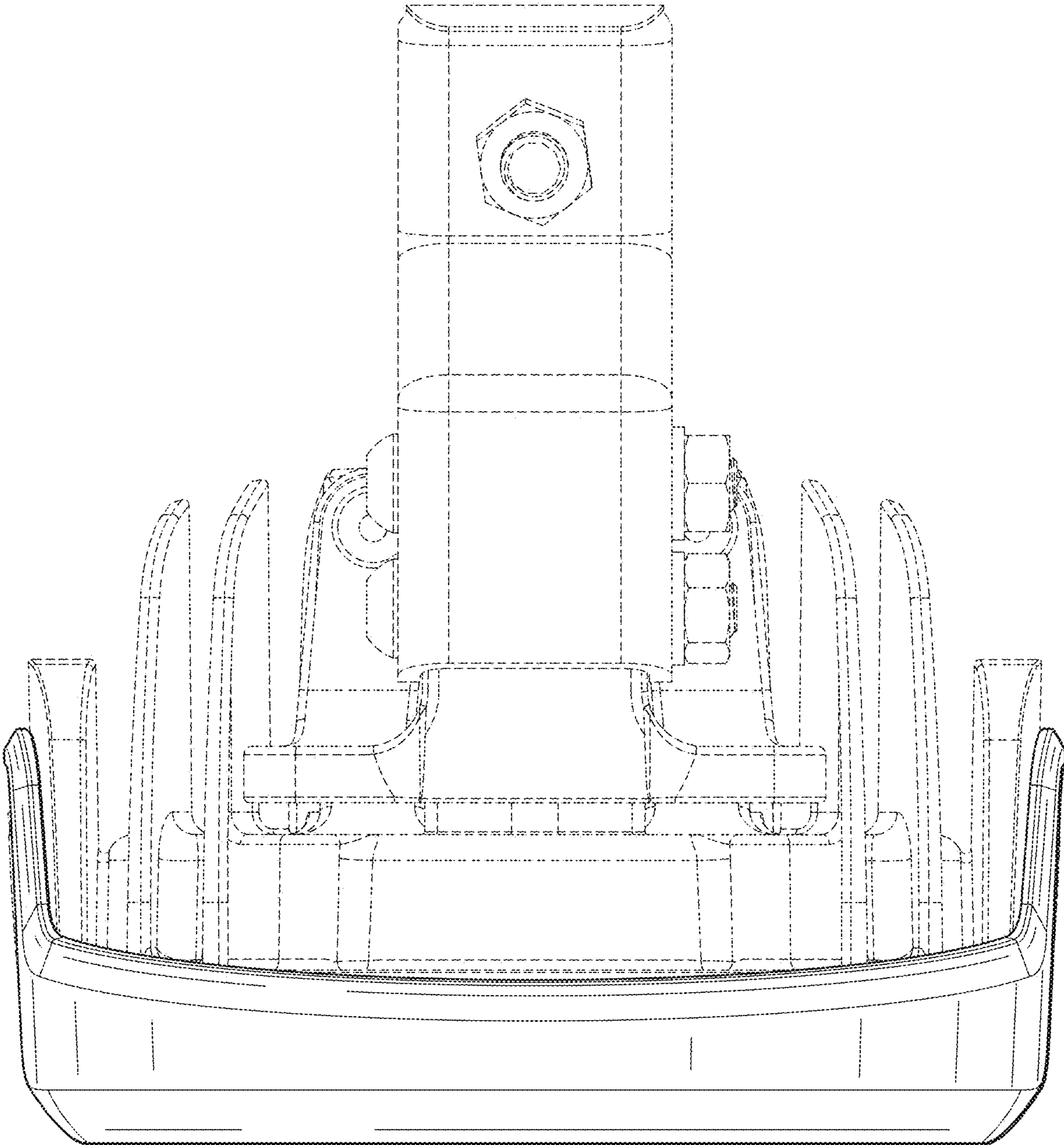


FIG. 6

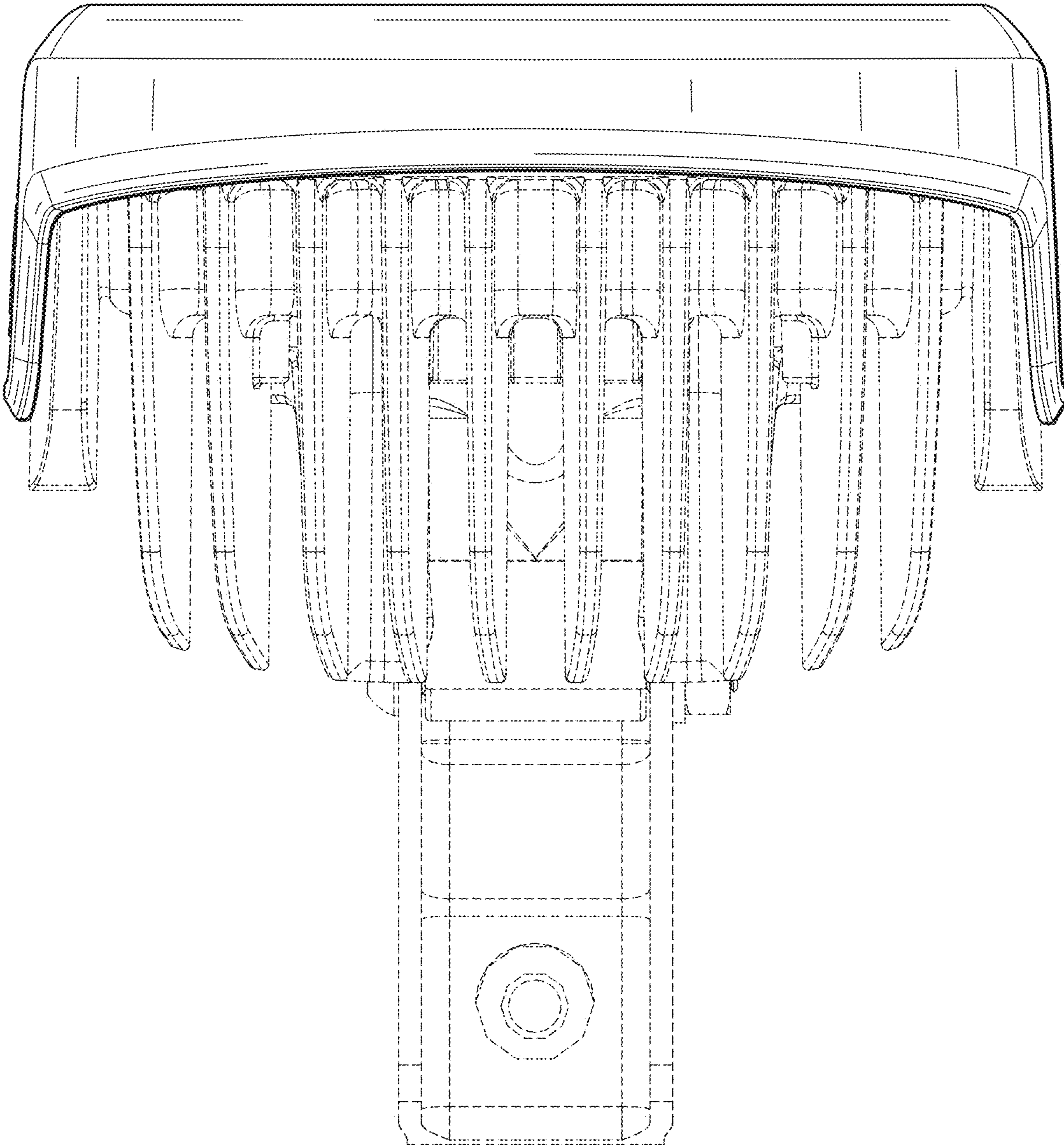


FIG. 7



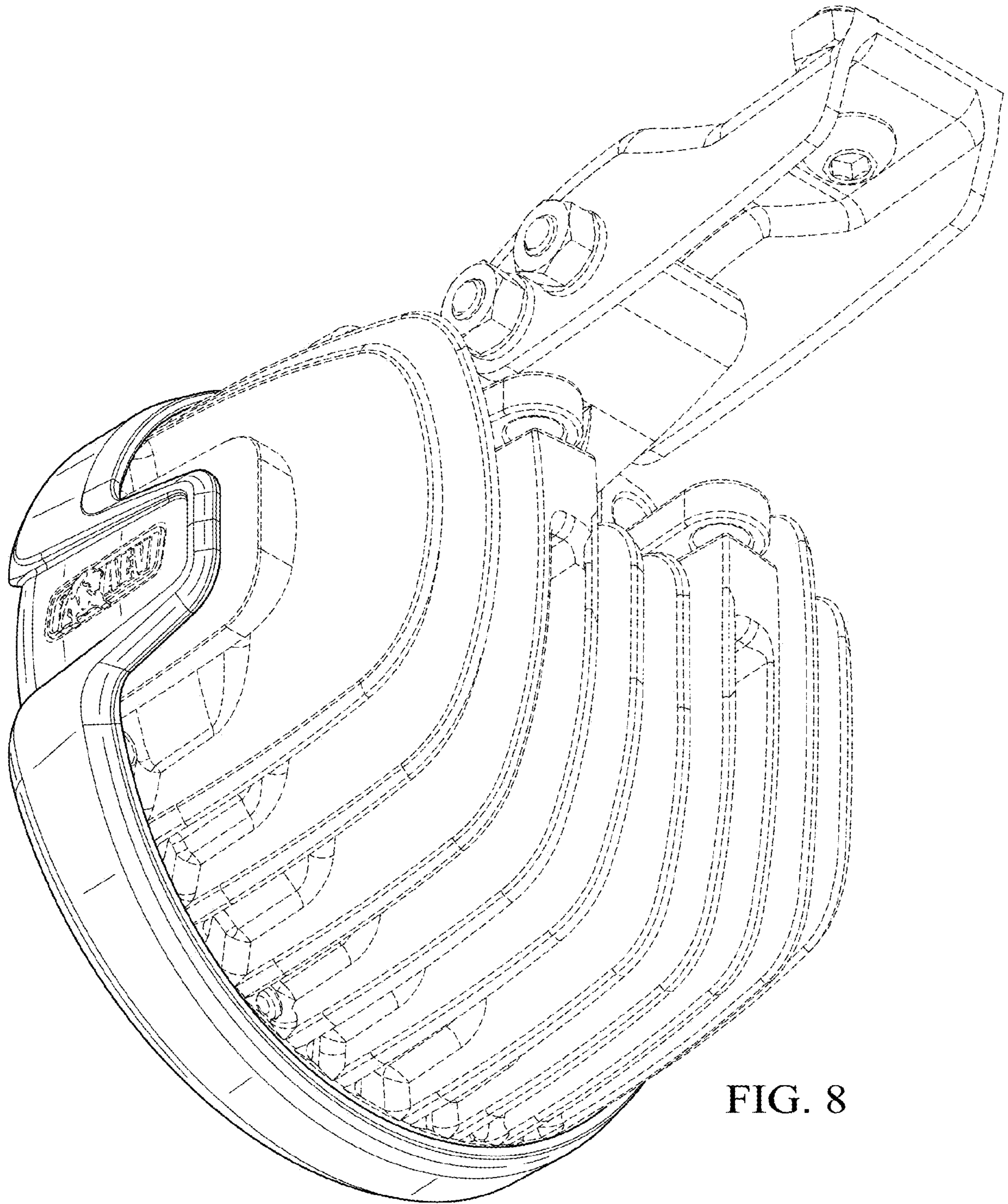


FIG. 8