



US00D882834S

(12) **United States Design Patent**
Wu

(10) **Patent No.:** **US D882,834 S**

(45) **Date of Patent:** **** Apr. 28, 2020**

(54) **LIGHTING UNIT FOR A VEHICLE LIGHT**

(71) Applicant: **COPLUS INC.**, Tainan (TW)

(72) Inventor: **Po-Hua Wu**, Tainan (TW)

(73) Assignee: **Coplus Inc.**, Tainan (TW)

(**) Term: **15 Years**

(21) Appl. No.: **29/665,232**

(22) Filed: **Oct. 1, 2018**

(30) **Foreign Application Priority Data**

Aug. 17, 2018 (TW) 107304851

(51) **LOC (12) Cl.** **26-06**

(52) **U.S. Cl.**
USPC **D26/28**

(58) **Field of Classification Search**
USPC D26/28-36, 139
CPC F21S 48/00; F21S 48/10; F21S 48/115;
F21S 48/225; F21S 48/1233; F21S
48/1266; F21S 48/1388; F21S 48/2268;
F21V 21/04; B60Q 9/13; B60Q 9/135;
B60Q 9/1375

See application file for complete search history.

(56) **References Cited**

U.S. PATENT DOCUMENTS

D485,625 S * 1/2004 Egly D26/28
D496,113 S * 9/2004 Lin D26/28

D546,487 S * 7/2007 Sinkwitz D26/28
D617,017 S * 6/2010 Grebert D26/28
D625,443 S * 10/2010 Herbin D26/28
D626,668 S * 11/2010 Grebert D26/28
D626,670 S * 11/2010 Metzger D26/28
D670,839 S * 11/2012 Smarslik D26/28
D775,381 S * 12/2016 Jacq D26/28
D805,229 S * 12/2017 Morgenstern D26/28

* cited by examiner

Primary Examiner — Marcus A Jackson

(74) *Attorney, Agent, or Firm* — Lewis Roca Rothgerber
Christie LLP

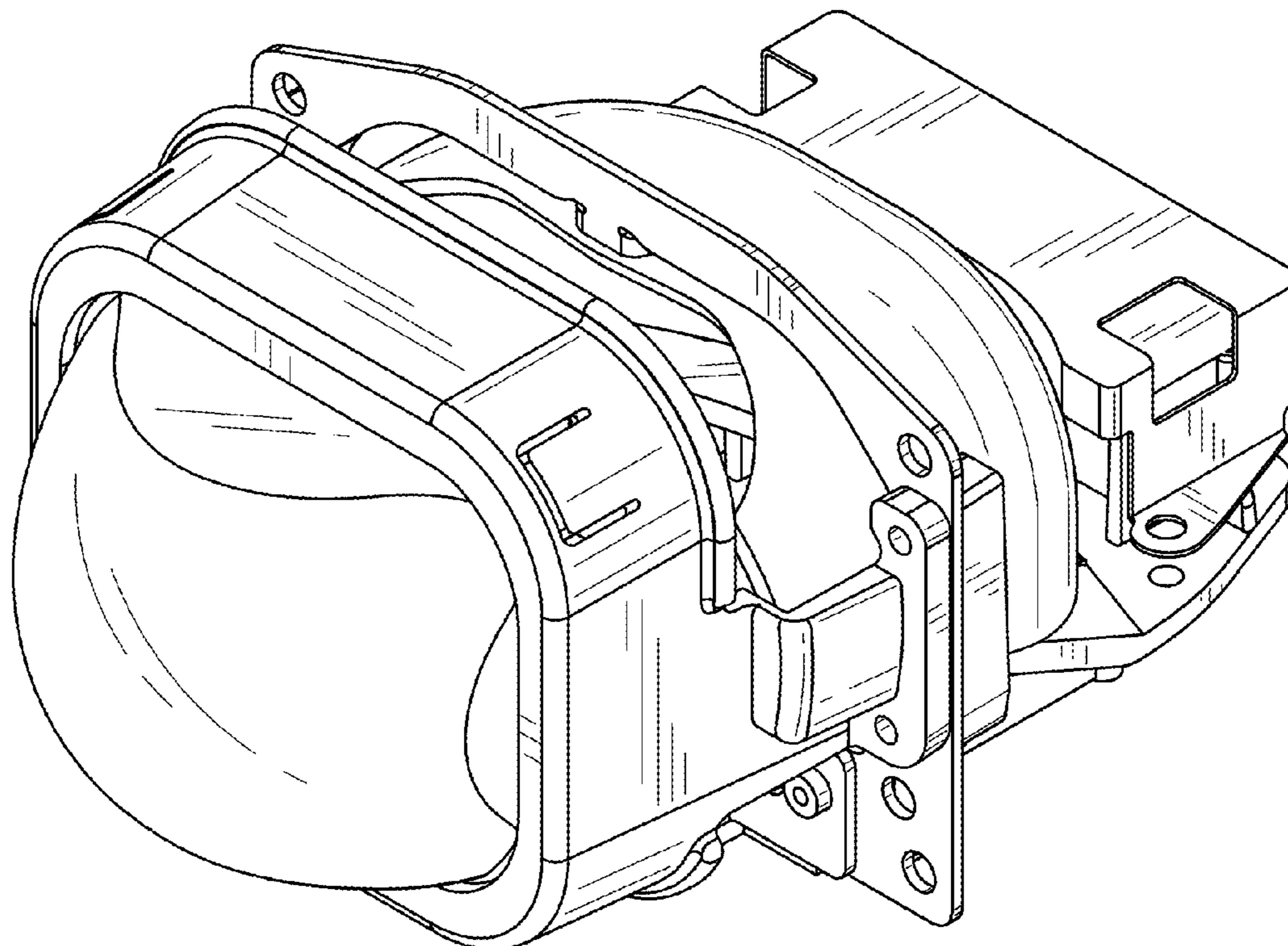
(57) **CLAIM**

The ornamental design for a lighting unit for a vehicle light,
as shown and described.

DESCRIPTION

FIG. 1 is a front perspective view of a lighting unit for a
vehicle light;
FIG. 2 is a rear perspective view thereof;
FIG. 3 is a front view thereof;
FIG. 4 is a rear view thereof;
FIG. 5 is a left side view thereof;
FIG. 6 is a right side view thereof;
FIG. 7 is a top view thereof; and,
FIG. 8 is a bottom view thereof.

1 Claim, 6 Drawing Sheets



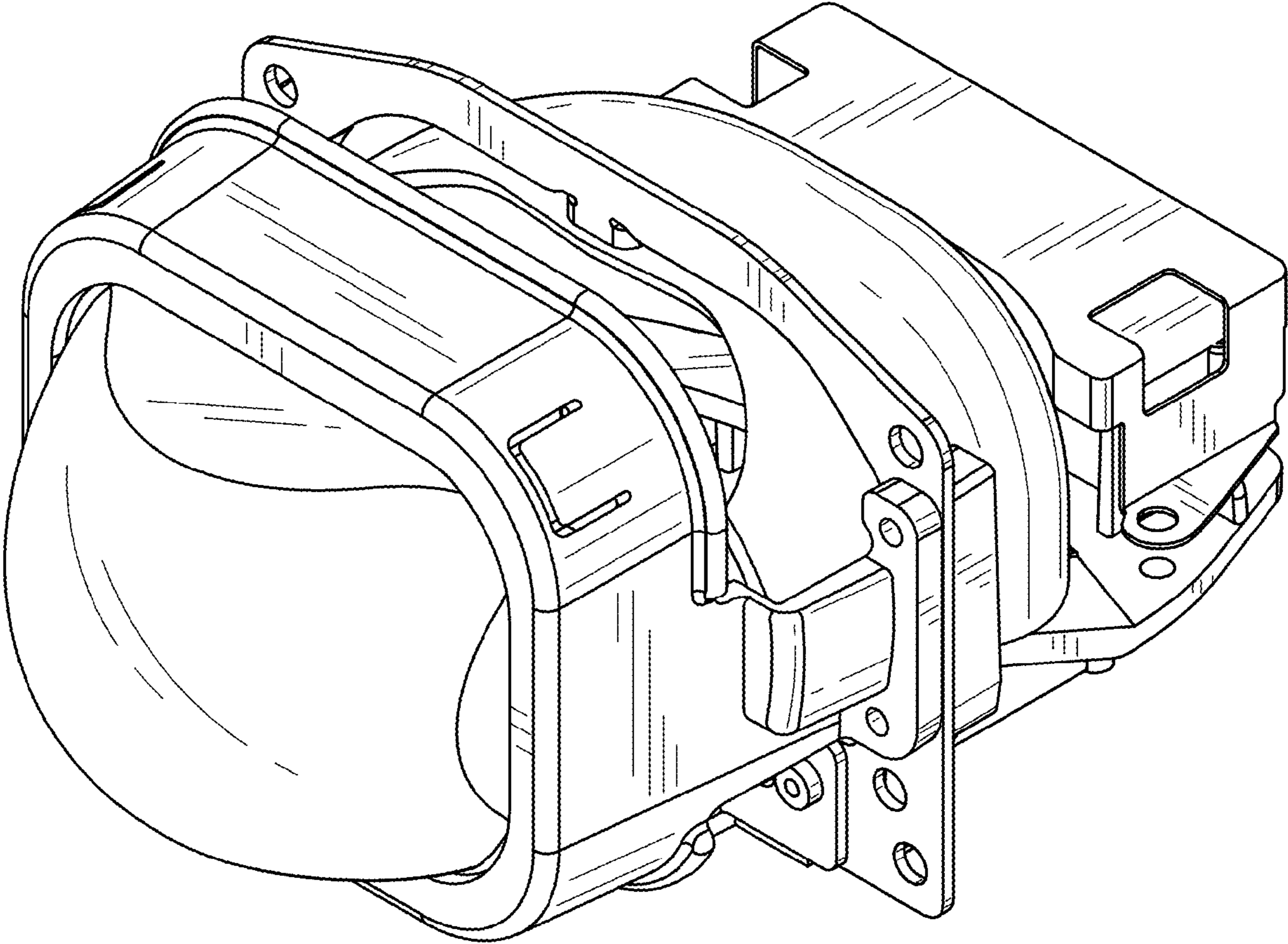


FIG. 1

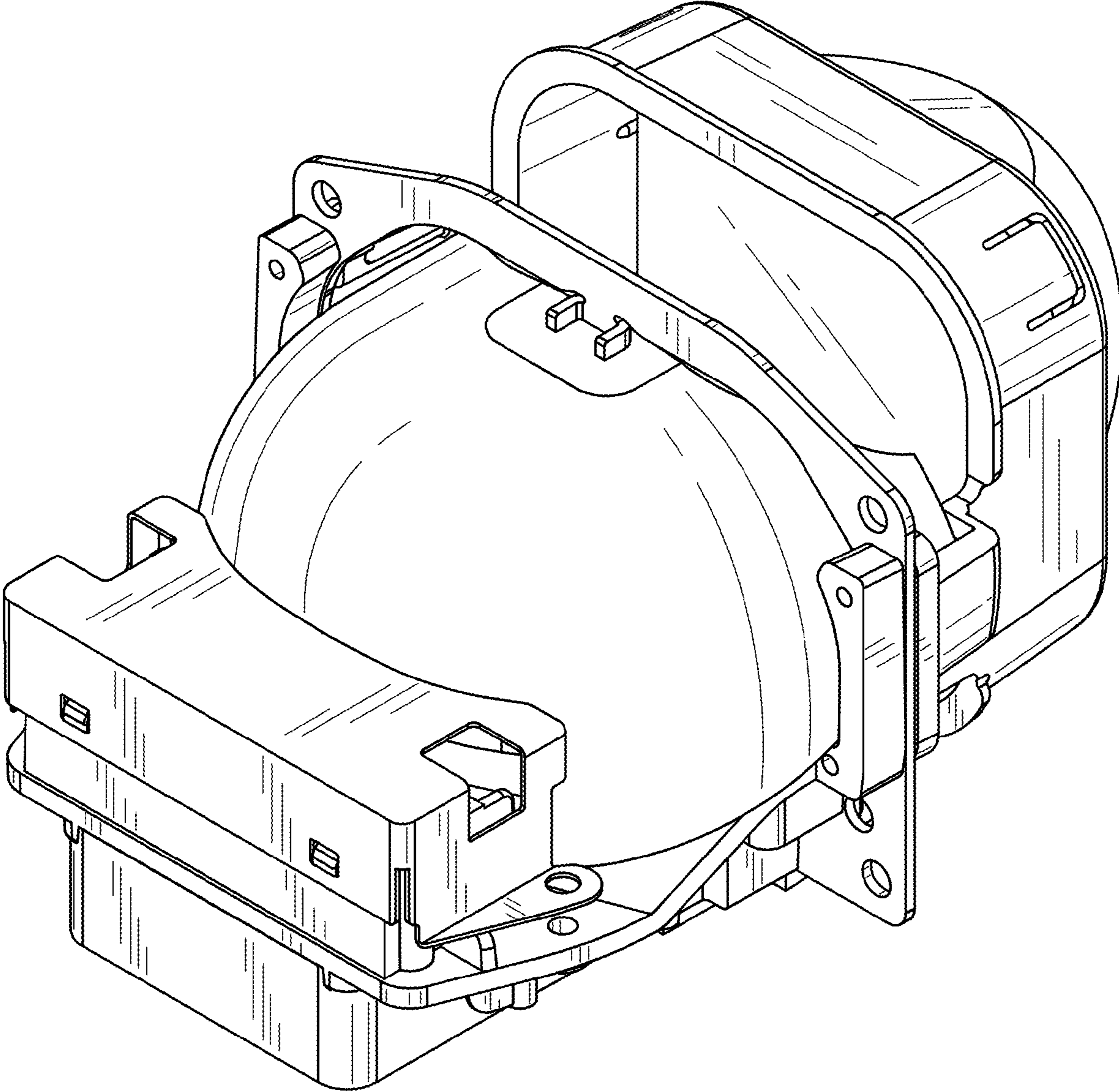


FIG. 2

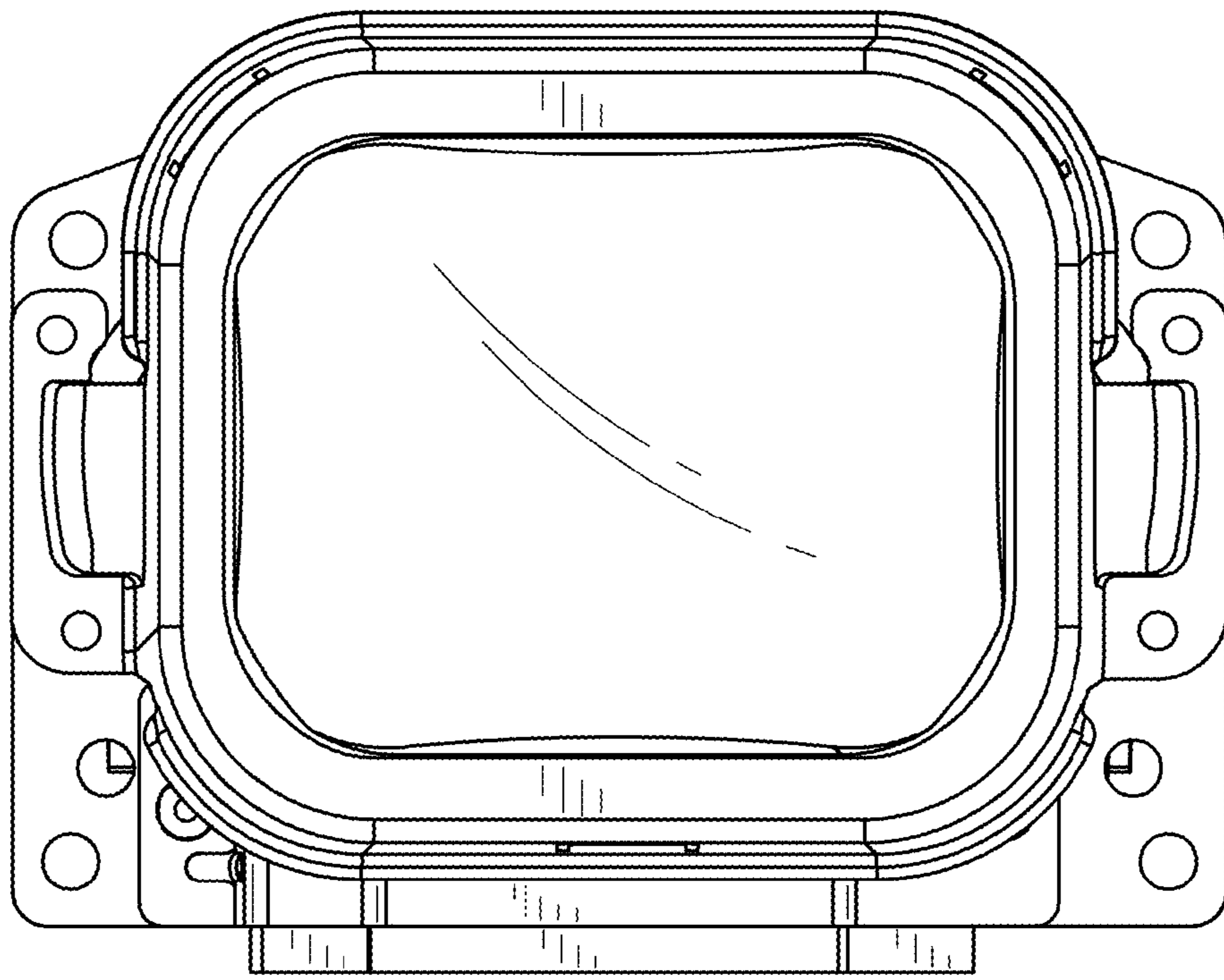


FIG. 3

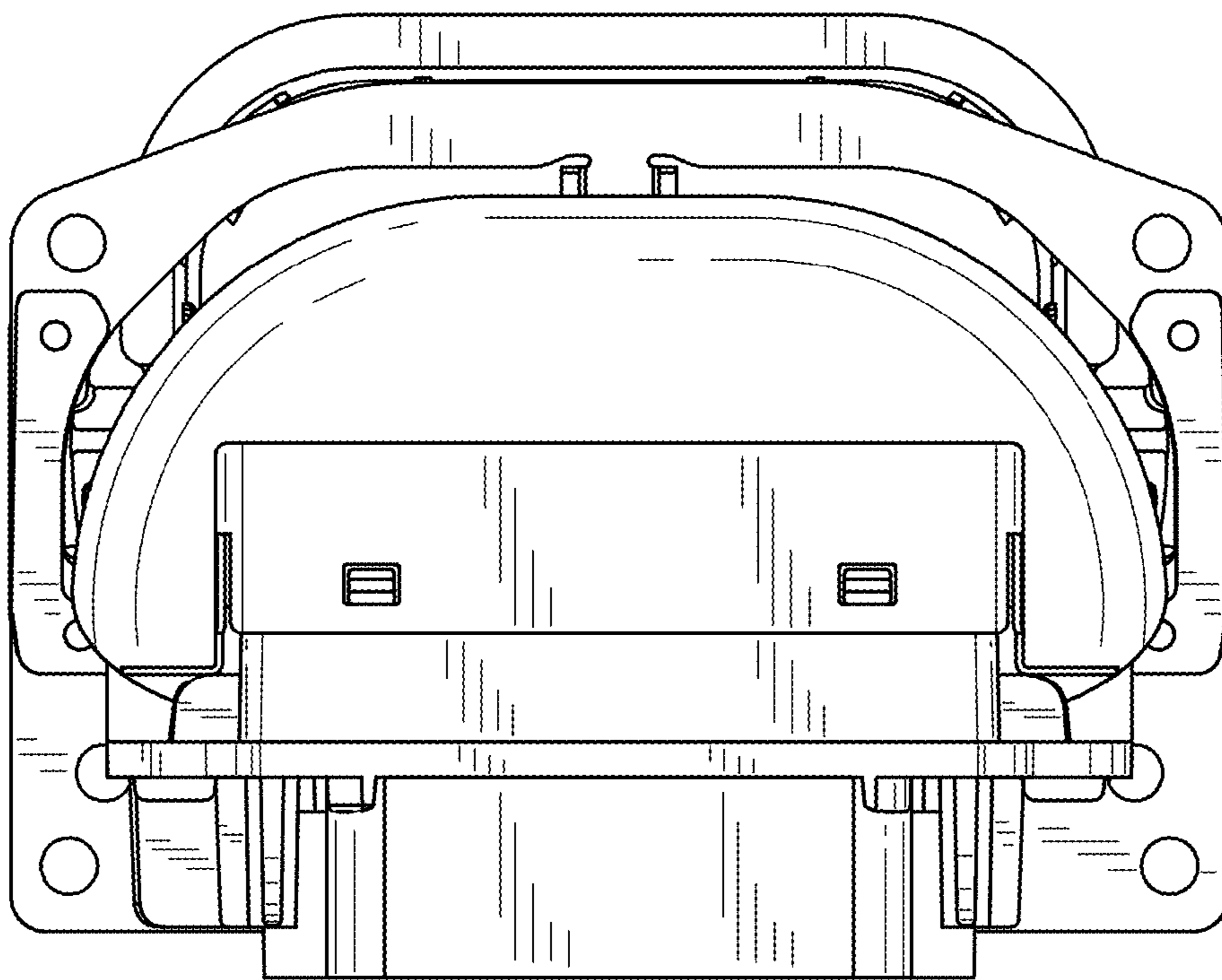


FIG. 4

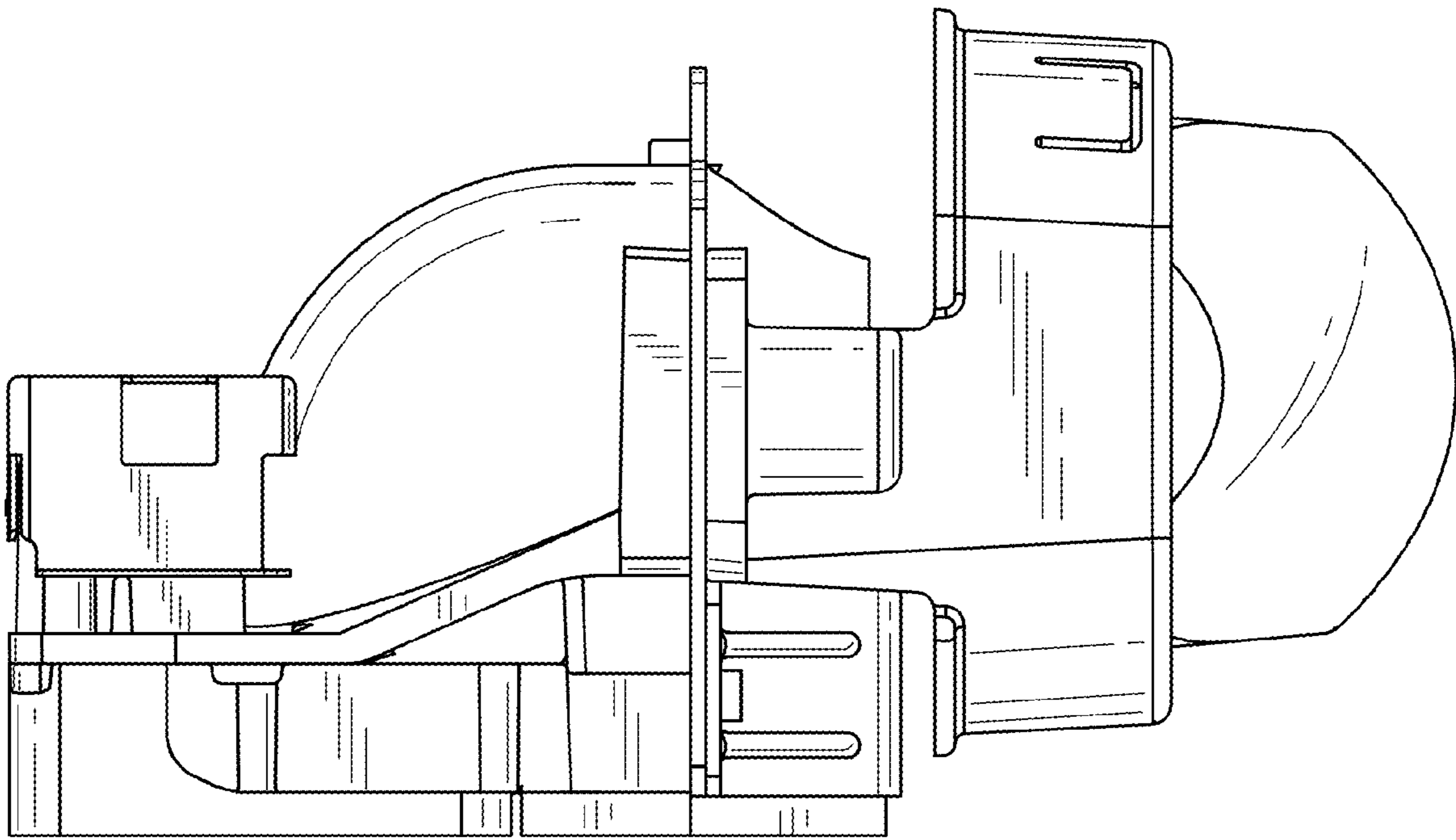


FIG. 5

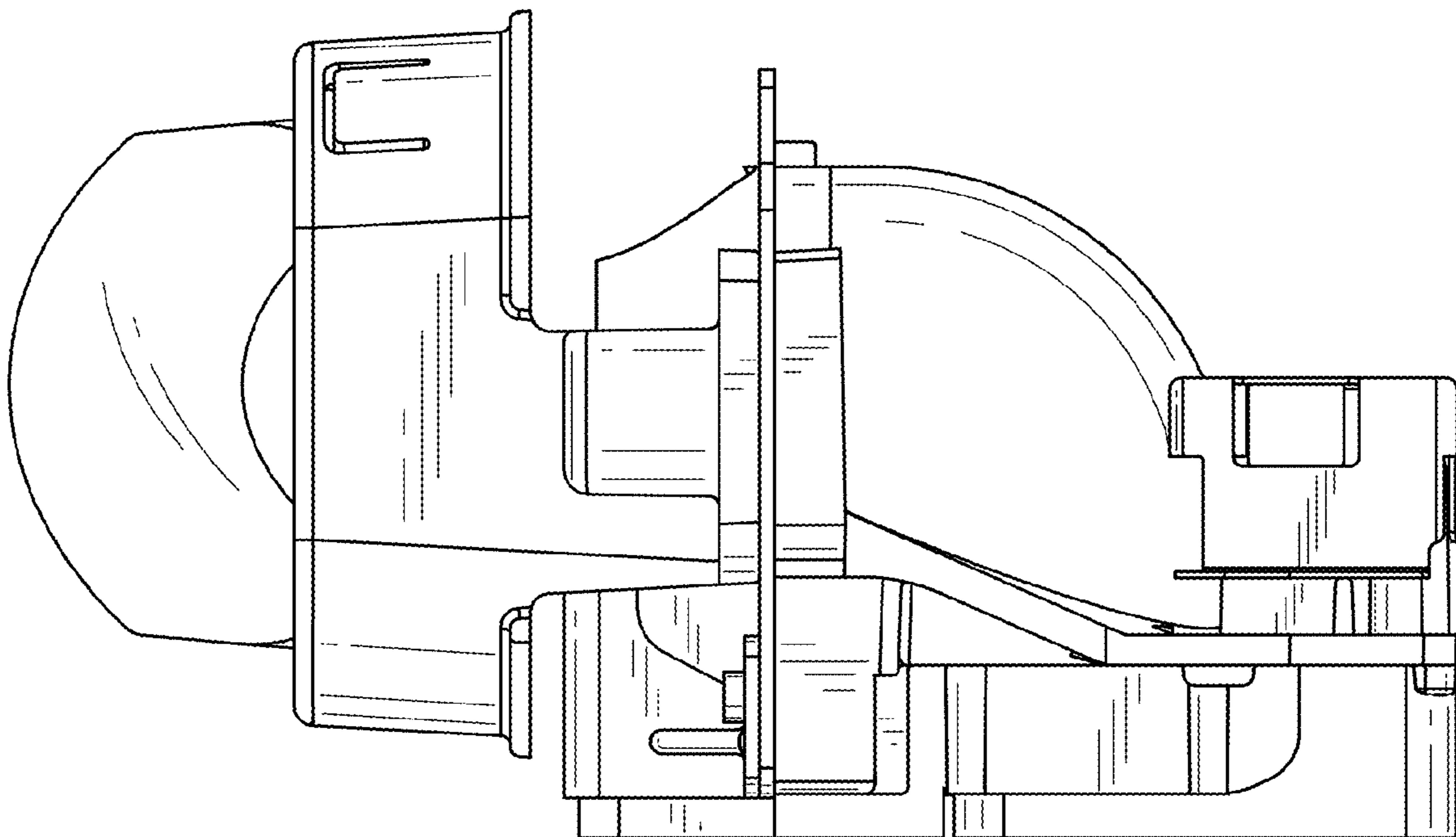


FIG. 6

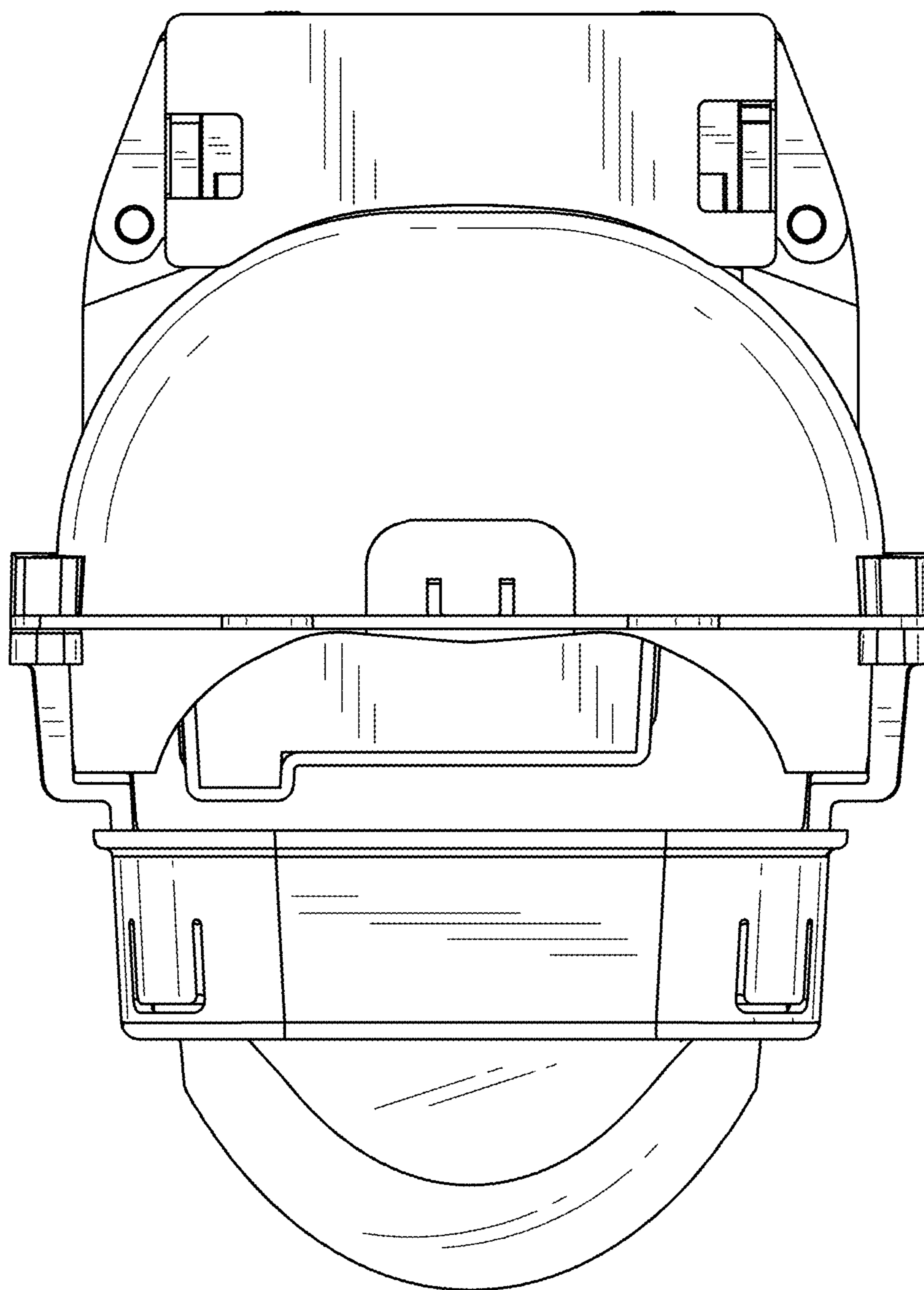


FIG. 7

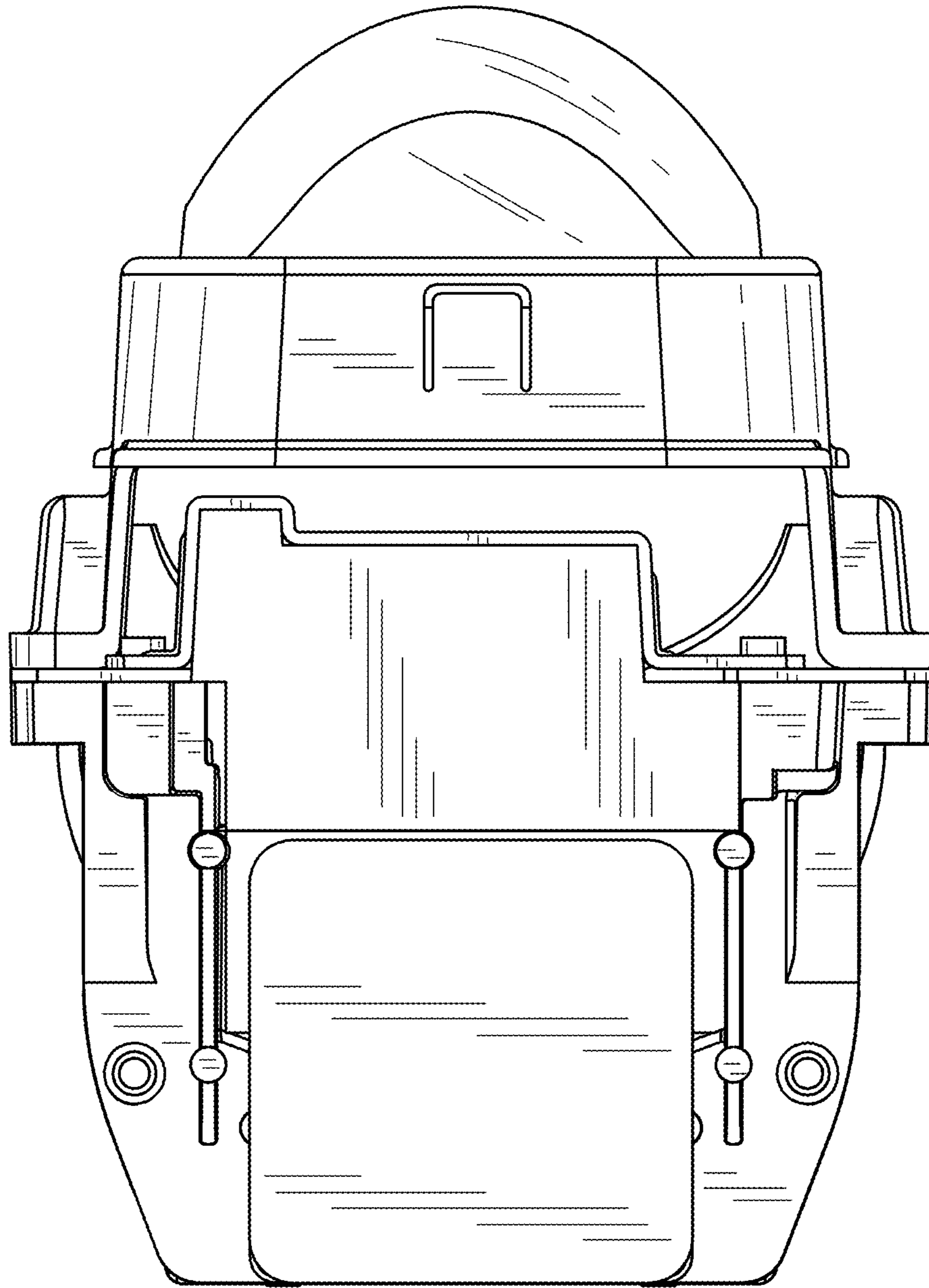


FIG. 8