



US00D882831S

(12) **United States Design Patent** (10) **Patent No.:** **US D882,831 S**
Carter (45) **Date of Patent:** **** Apr. 28, 2020**

(54) **SLEEVE FOR A POST**

(56) **References Cited**

(71) Applicant: **NZ Tube Mills Limited**, Lower Hutt (NZ)

U.S. PATENT DOCUMENTS

(72) Inventor: **Terry Carter**, Lower Hutt (NZ)

D507,959	S	*	8/2005	Mottini	D8/354
D618,992	S	*	7/2010	Rix	D8/354
D679,172	S	*	4/2013	Dixon	D8/354
D768,466	S	*	10/2016	Simmons	D8/354
D824,245	S	*	7/2018	Ryu	D8/371
D829,079	S	*	9/2018	Halling	D8/349
10,113,833	B2	*	10/2018	Alfaro	F41C 33/008
D841,804	S	*	2/2019	Sommer	D24/128
D850,890	S	*	6/2019	Cole	D8/354
2006/0228662	A1	*	10/2006	Lokar	A61C 7/287 433/8
2013/0260329	A1	*	10/2013	Voudouris	A61C 7/30 433/9

(73) Assignee: **NZ TUBE MILLS LIMITED**, Lower Hutt (NZ)

(**) Term: **15 Years**

(21) Appl. No.: **29/664,779**

(22) Filed: **Sep. 27, 2018**

(30) **Foreign Application Priority Data**

Aug. 22, 2018 (NZ) 424862

(51) **LOC (12) Cl.** **25-01**

(52) **U.S. Cl.**
USPC **D25/133**

(58) **Field of Classification Search**
USPC D25/38.1, 39, 42, 43, 47.1, 48.4, 48.8, D25/61, 119, 122, 126, 127, 128, 129, D25/130, 131, 132, 133, 134, 135, 139, D25/143, 157; D12/182-183, 223; 160/133, 87, 187, 229.1, 235, 236; 52/155, 165, 170, 295, 689, 702; D8/10, D8/16, 19, 349, 350, 353, 354, 364, 366, D8/373, 380, 381, 499; D28/31-34, 25, D28/39-43; D21/478, 479, 484, 485-505
CPC E06B 9/15; E06B 2009/005; E06B 2009/1544; E06B 3/481; E06B 2009/2447; E06B 9/174; E06B 9/50; E01F 9/627; E02D 27/42; E02D 5/60; E04F 19/00; E04H 12/2292; E05D 1/04; A47H 1/03; A47H 1/14; F16M 11/041

See application file for complete search history.

* cited by examiner

Primary Examiner — Samantha Q Lawrence
(74) *Attorney, Agent, or Firm* — Grogan, Tuccillo & Vanderleeden, LLP

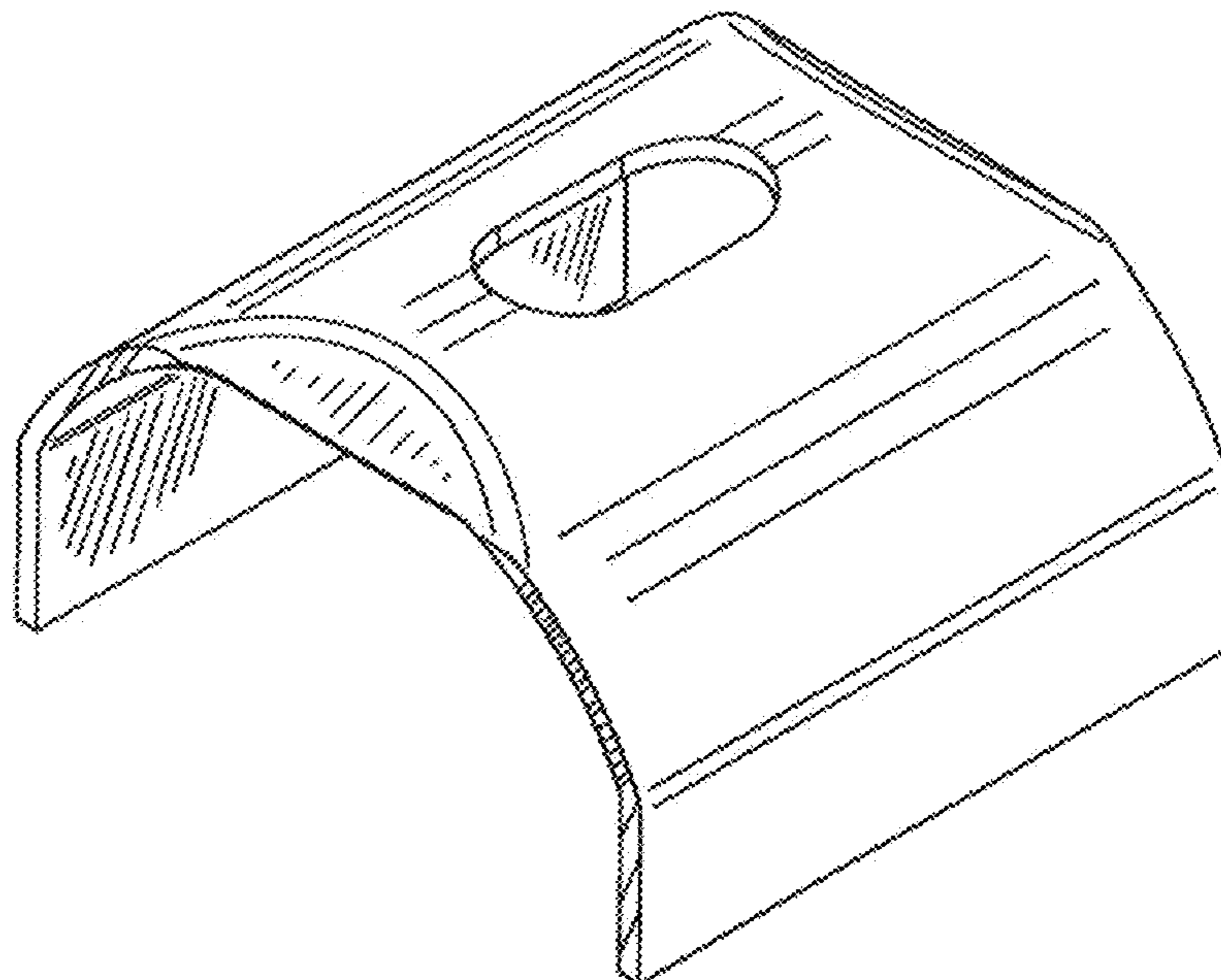
(57) **CLAIM**

The ornamental design for a sleeve for a post, as shown and described.

DESCRIPTION

FIG. 1 is a perspective view of a sleeve for a post of the present invention;
FIG. 2 is a front view of the sleeve for a post of FIG. 1;
FIG. 3 is a back view of the sleeve for a post thereof;
FIG. 4 is a side view of the sleeve for a post thereof;
FIG. 5 is an opposite view of the sleeve for a post thereof;
FIG. 6 is a top view of the sleeve for a post thereof; and,
FIG. 7 is a bottom view of the sleeve for a post thereof.

1 Claim, 7 Drawing Sheets



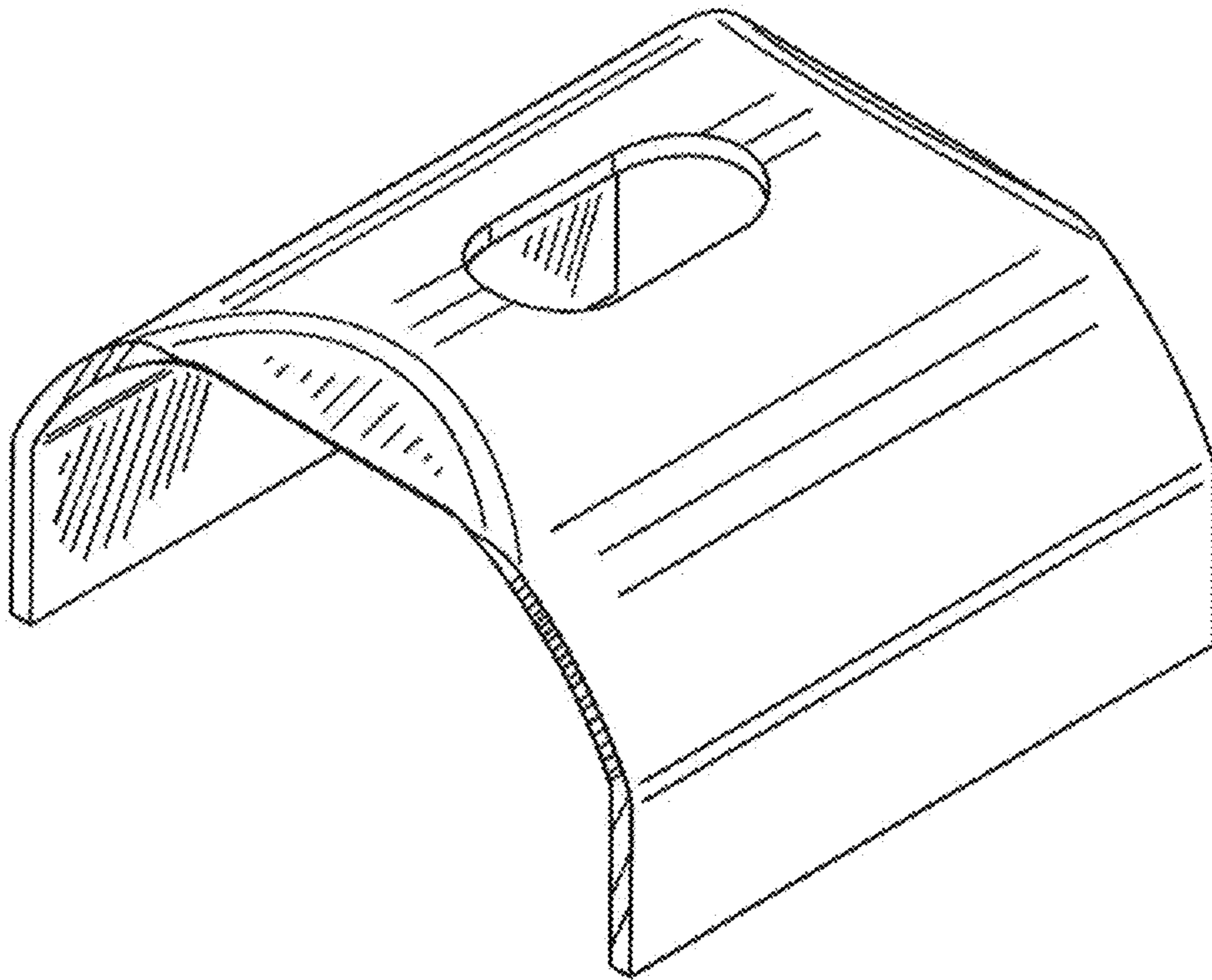


Figure 1

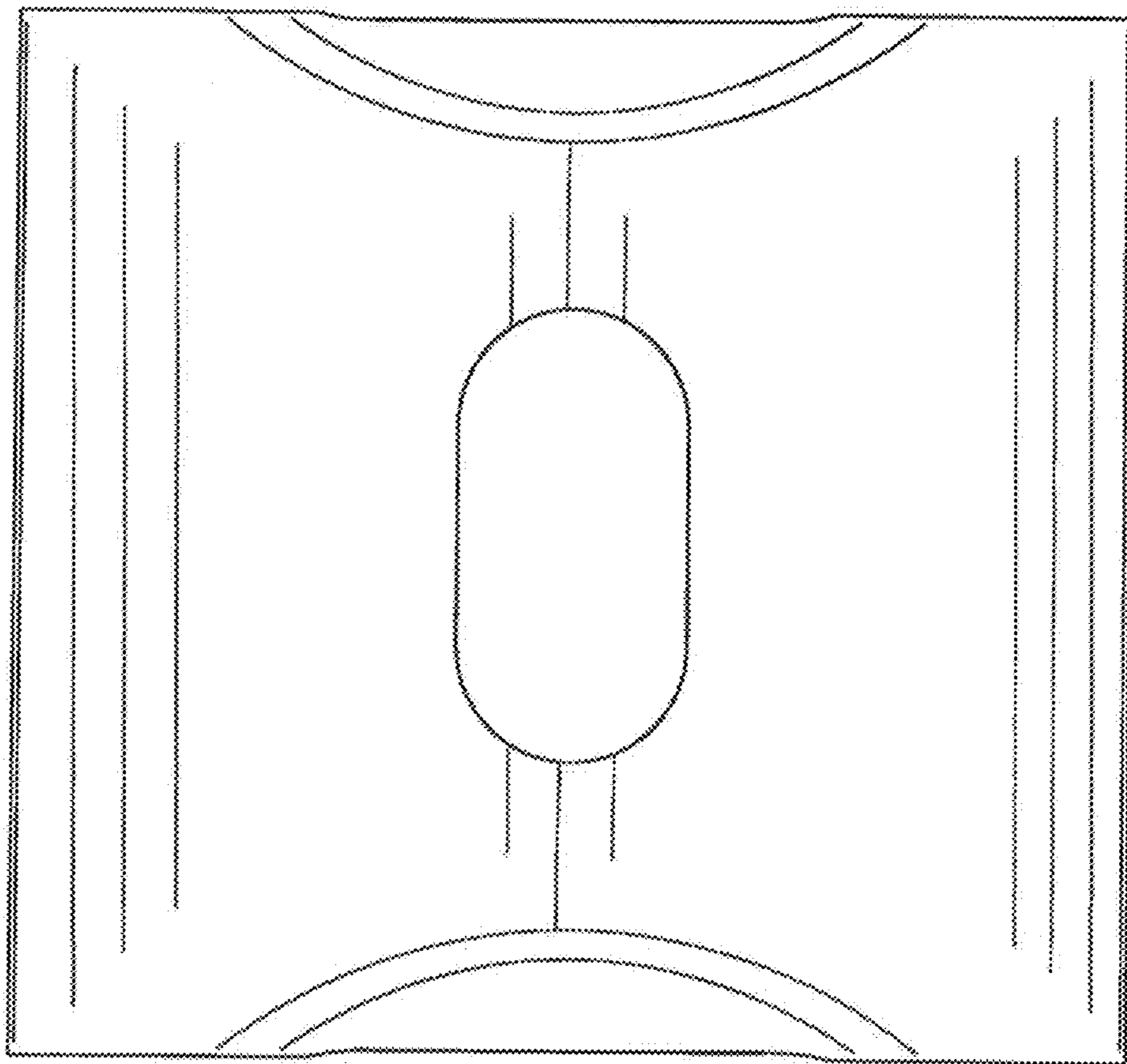


Figure 2

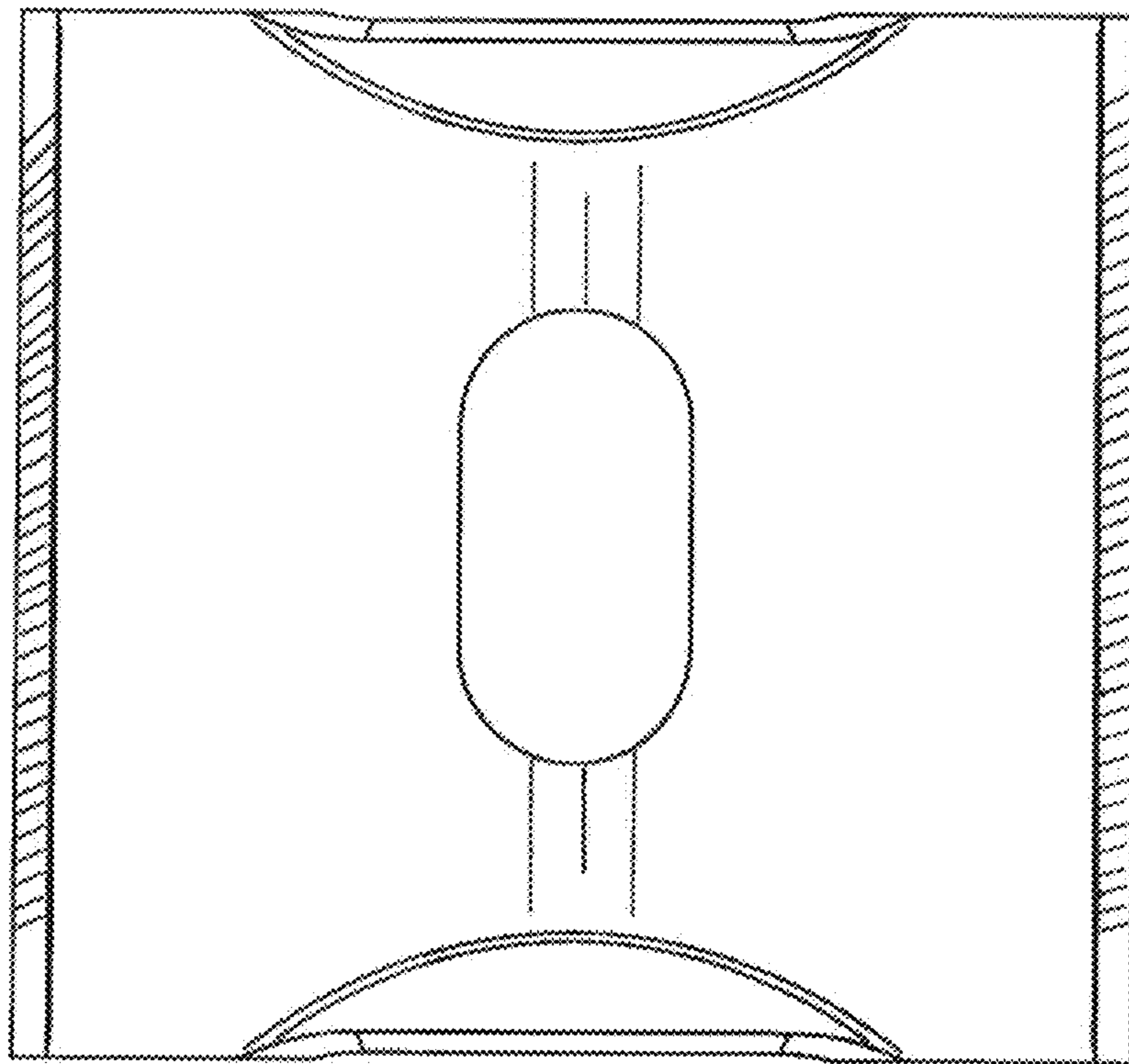


Figure 3

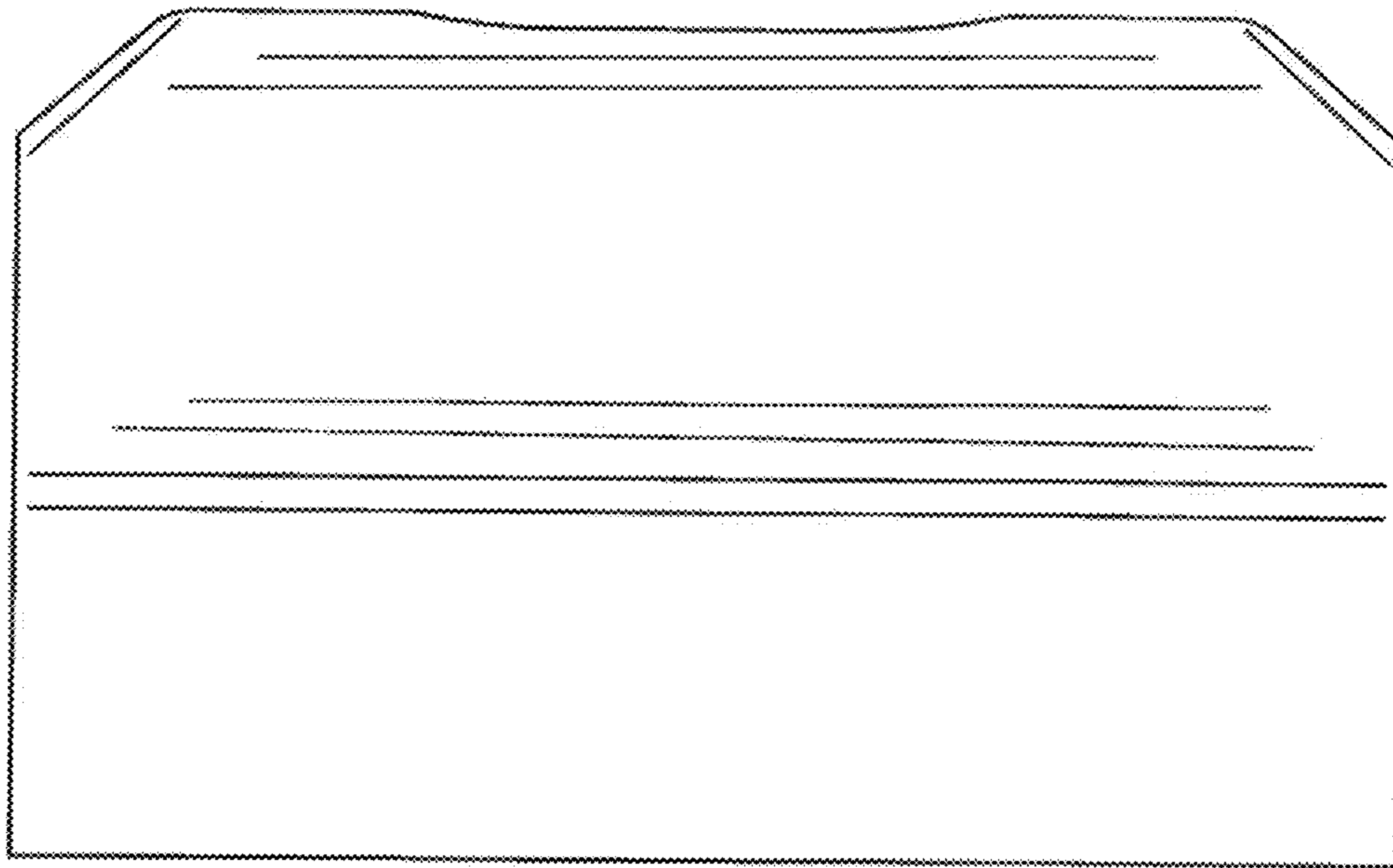


Figure 4

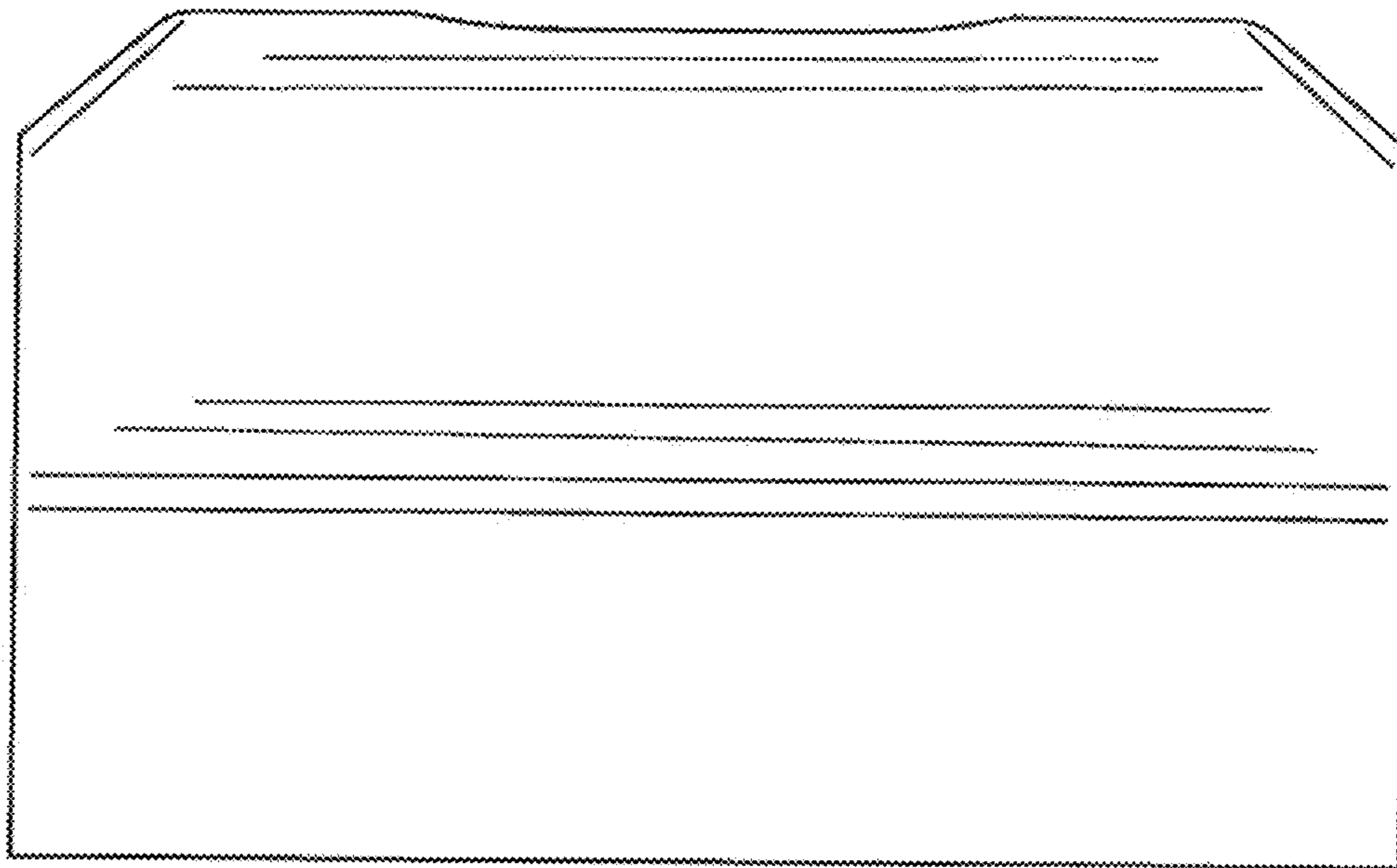


Figure 5

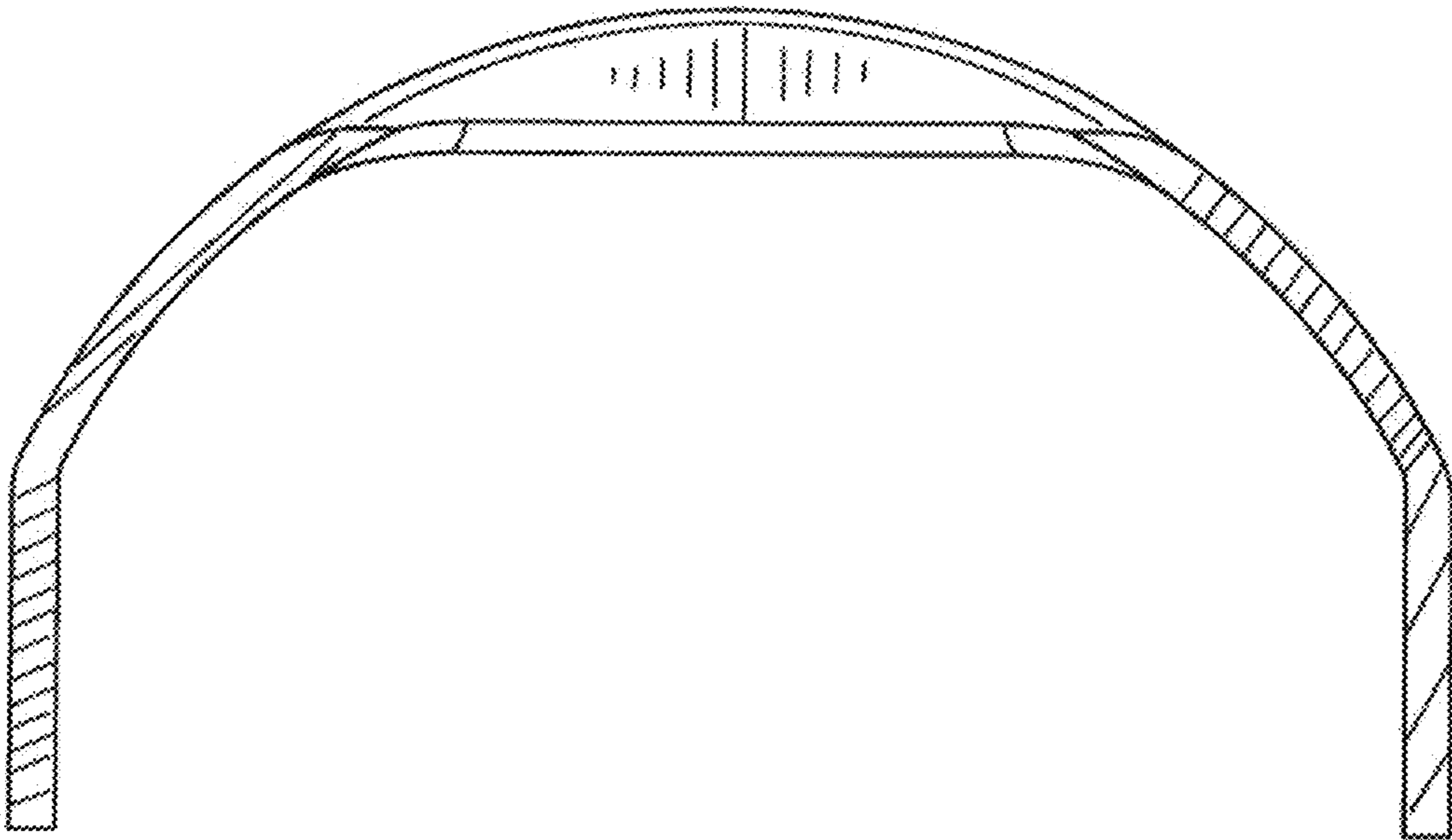


Figure 6

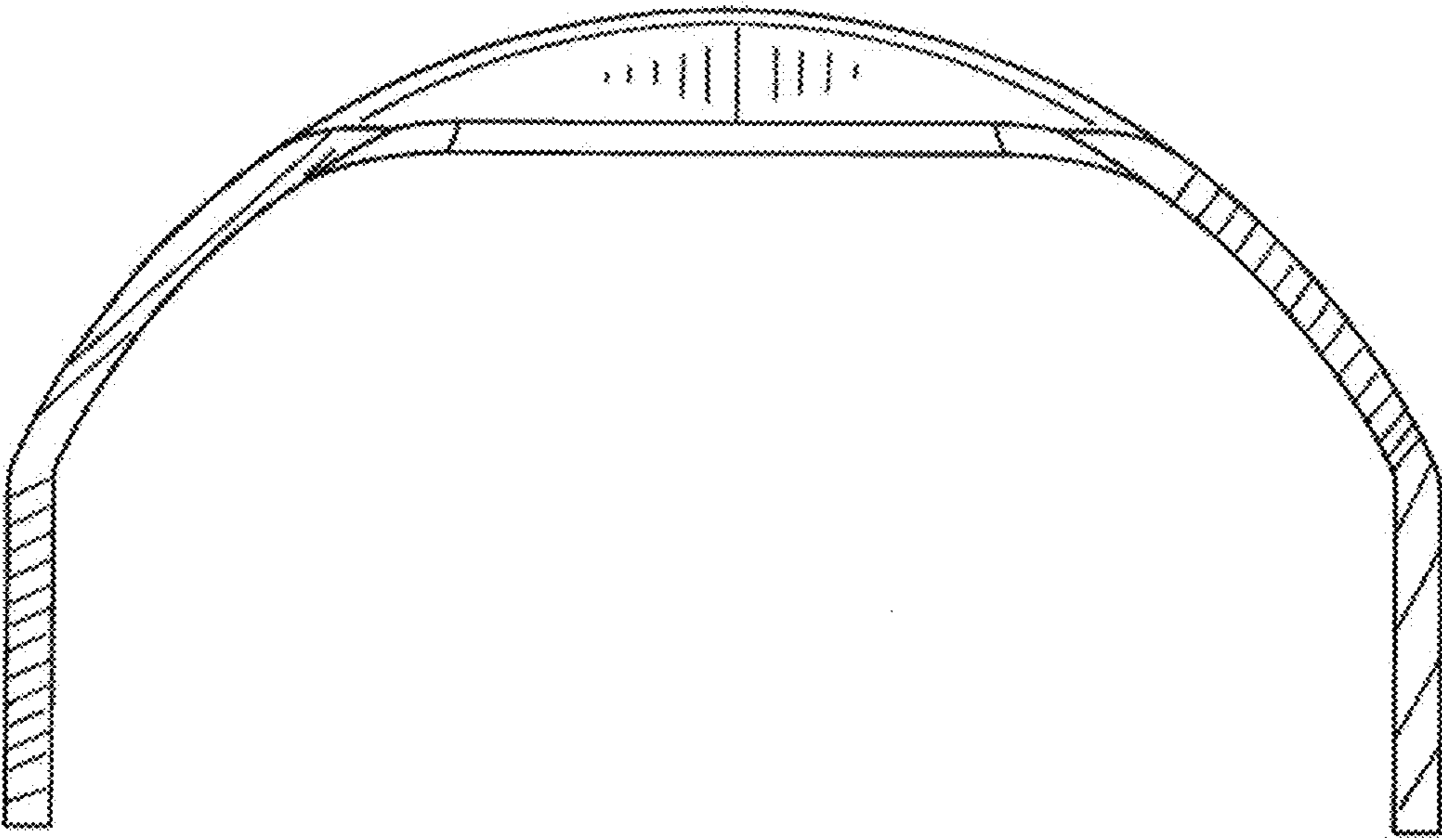


Figure 7