



US00D882830S

(12) **United States Design Patent**
MacKarvich

(10) **Patent No.:** **US D882,830 S**
(45) **Date of Patent:** **** Apr. 28, 2020**

(54) **HANDRAIL BASE**

(71) Applicant: **Charles J. MacKarvich**, Atlanta, GA
(US)

(72) Inventor: **Charles J. MacKarvich**, Atlanta, GA
(US)

(**) Term: **15 Years**

(21) Appl. No.: **29/663,351**

(22) Filed: **Sep. 14, 2018**

D599,915 S	9/2009	Godwin	
D732,374 S *	6/2015	Herbertsson	D8/349
D732,932 S *	6/2015	Ng	D8/354
D752,954 S *	4/2016	Lax	D8/354
D757,520 S	5/2016	Pratt	
D758,609 S	6/2016	Schindler et al.	
D767,167 S	9/2016	Masuda et al.	
D810,965 S	2/2018	Whiteley	
D813,647 S	3/2018	Burmeister-Brown et al.	
D822,650 S *	7/2018	Kanter	D14/238
D823,093 S *	7/2018	Kanter	D8/354
D823,286 S *	7/2018	Kanter	D14/238
D830,812 S *	10/2018	Kanter	D8/354

(Continued)

Related U.S. Application Data

(63) Continuation of application No. 29/616,098, filed on
Sep. 1, 2017, now Pat. No. Des. 831,860.

(51) **LOC (12) Cl.** **25-01**

(52) **U.S. Cl.**

USPC **D25/133; D25/38.1**

(58) **Field of Classification Search**

USPC D25/38.1, 46, 48, 35, 11, 126, 127, 128,
D25/129, 130, 131, 132, 133, 134, 135;
256/63, 34, 65.01, 65.03, 65.05, 65.06,
256/65.14; D8/315, 349, 351, 352, 355,
D8/356, 363, 10, 16, 19, 350, 353, 354

CPC E04H 12/2261; E04H 12/2269; E04H
17/1421; E04H 17/22; E04H 17/16; E04H
17/1413; E01F 9/692; E04C 3/32; E04F
11/1812; E04F 11/1865; E04G 2005/148;
E04G 12/3219; E04G 21/3223; E04G
21/32; Y10S 256/06

See application file for complete search history.

(56) **References Cited**

U.S. PATENT DOCUMENTS

D520,649 S	5/2006	Hansort
D521,159 S	5/2006	Hansort
D554,474 S	11/2007	Miller
D556,015 S	11/2007	Muchnik
7,338,033 B2	3/2008	Anson et al.

OTHER PUBLICATIONS

MacKarvich, Charles J.; Issue Notification for Design U.S. Appl.
No. 29/616,098, filed Sep. 1, 2017, dated Oct. 3, 2018, 1 pg.

(Continued)

Primary Examiner — Samantha Q Lawrence

(74) *Attorney, Agent, or Firm* — Taylor English Duma
LLP

(57)

CLAIM

I claim the ornamental design for a handrail base, as shown
and described.

DESCRIPTION

FIG. 1 is a perspective view of the claimed design.

FIG. 2 is a rear elevation view thereof.

FIG. 3 is a front elevation view thereof.

FIG. 4 is a left-side elevation view thereof.

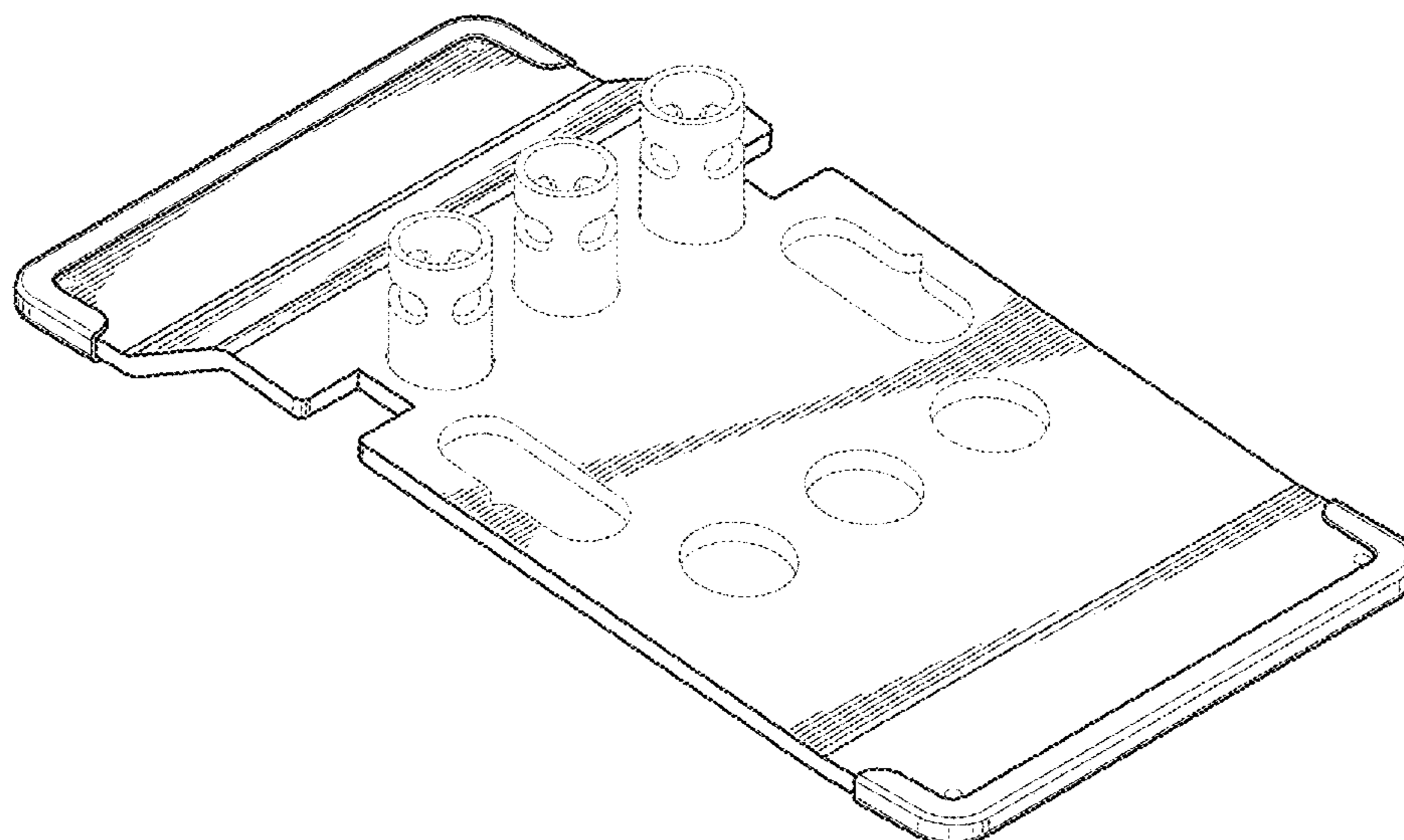
FIG. 5 is a right-side elevation view thereof.

FIG. 6 is a top plan view thereof; and,

FIG. 7 is a bottom plan view thereof.

The invention pertains to an ornamental design for a hand-
rail base. The broken lines shown in FIGS. 1-7 illustrate
portions of the handrail base that form no part of the claimed
design.

1 Claim, 5 Drawing Sheets



(56)

References Cited

U.S. PATENT DOCUMENTS

D831,860 S 10/2018 MacKarvich
D833,851 S * 11/2018 Kanter D8/354
2005/0056741 A1 3/2005 Higgs et al.
2015/0041744 A1 2/2015 Higgs
2017/0152674 A1 6/2017 MacKarvich
2019/0257112 A1* 8/2019 MacKarvich E04H 17/1413

OTHER PUBLICATIONS

MacKarvich, Charles J.; Notice of Allowance for U.S. Appl. No. 29/616,098, filed Sep. 1, 2017, dated Jun. 28, 2018, 12 pgs.

* cited by examiner

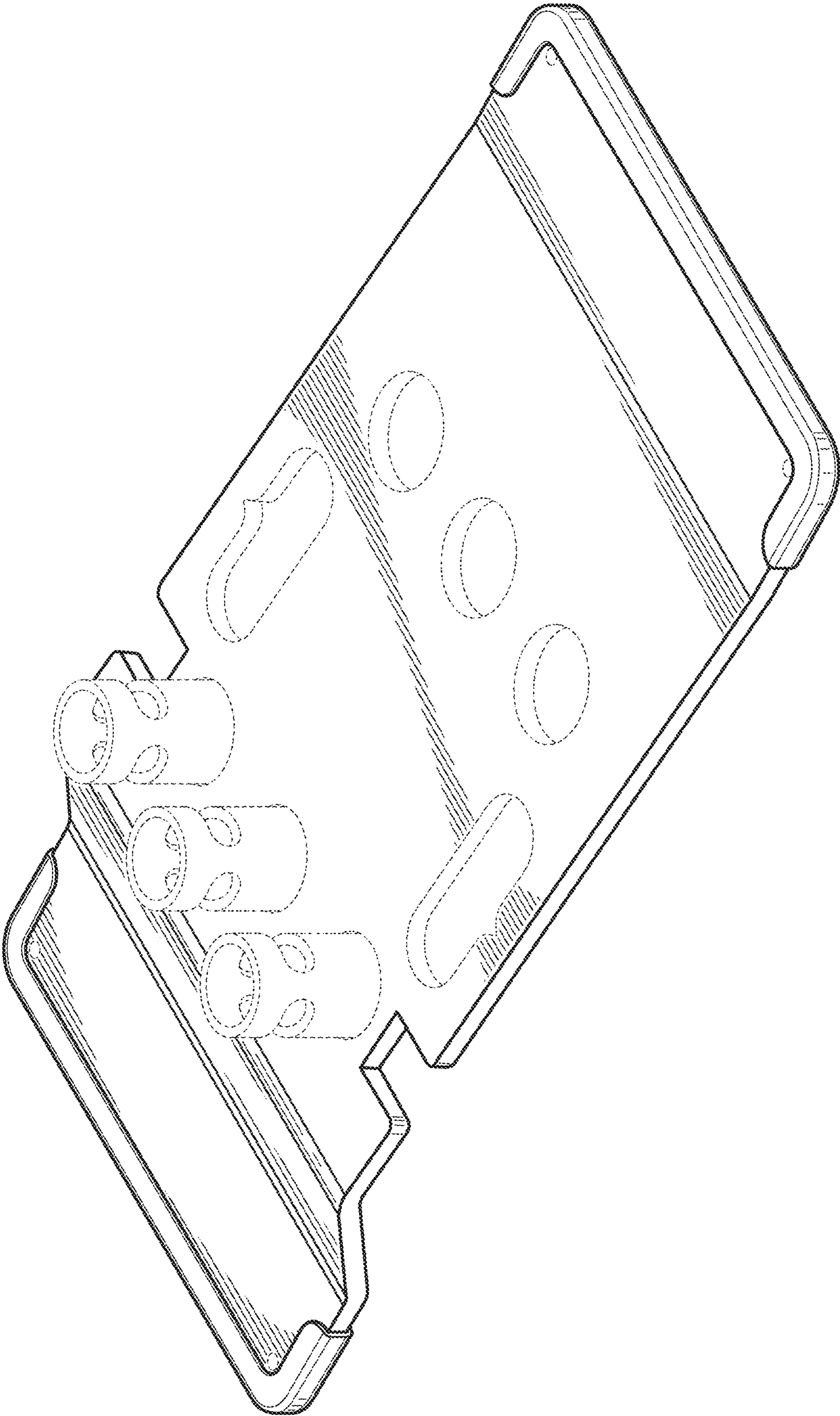


FIG. 1

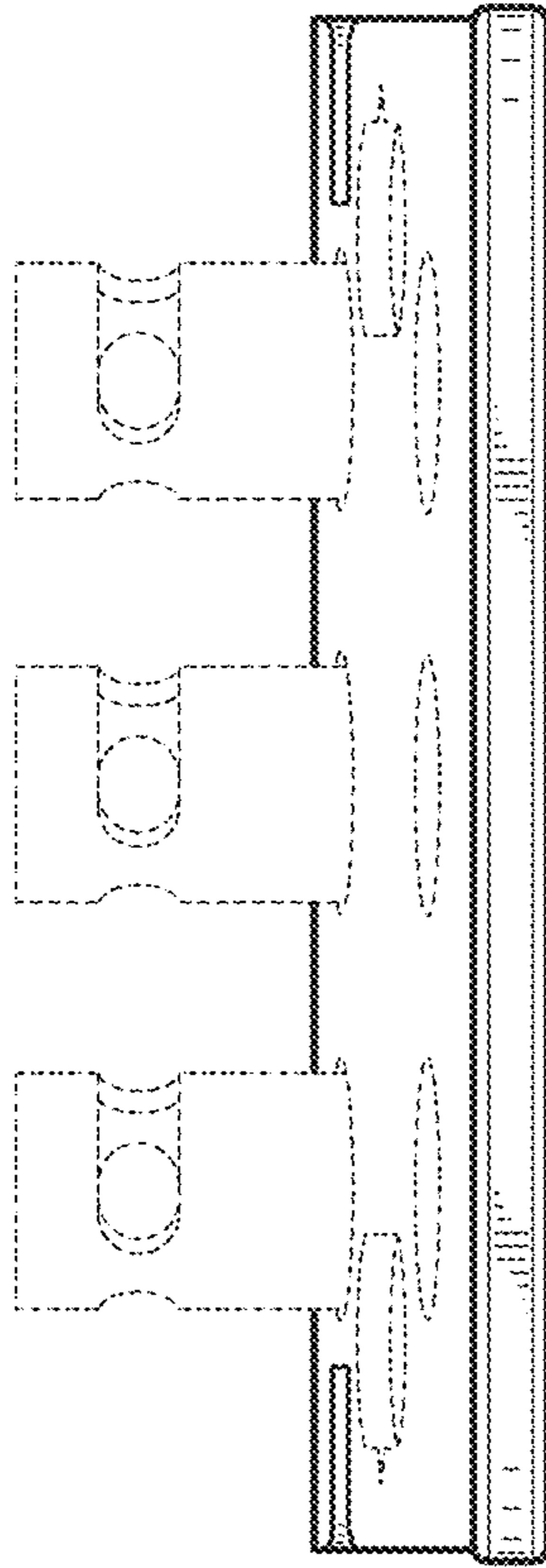


FIG. 2

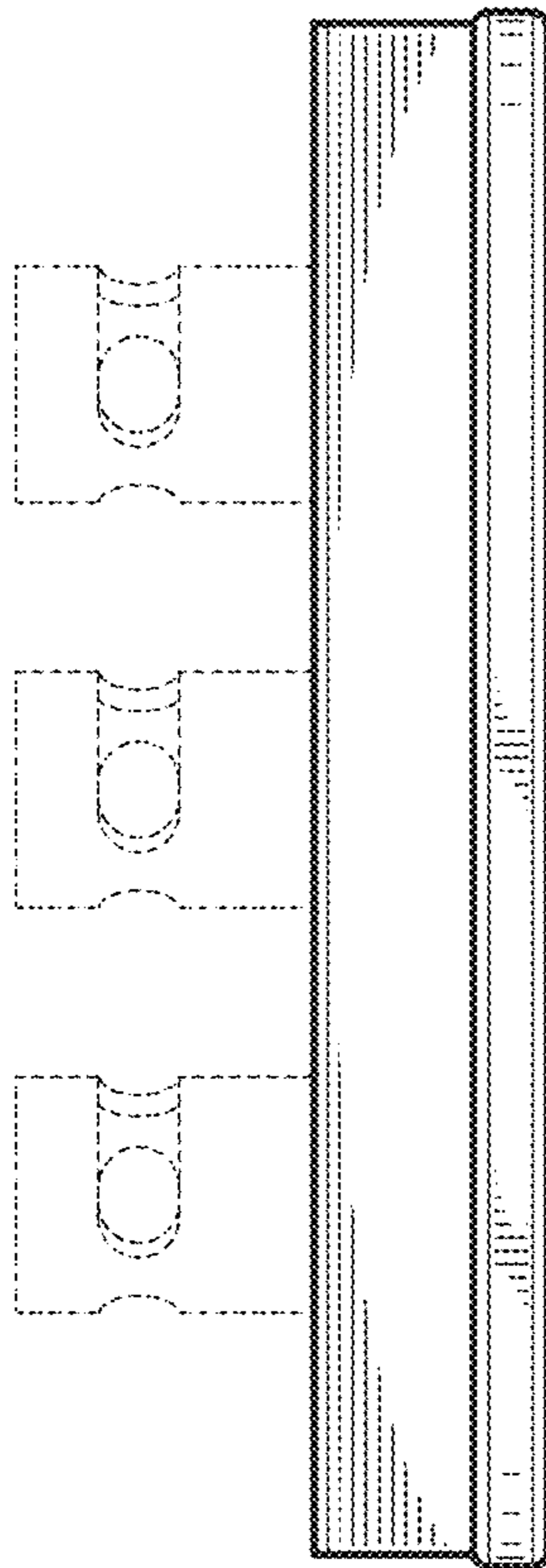


FIG. 3

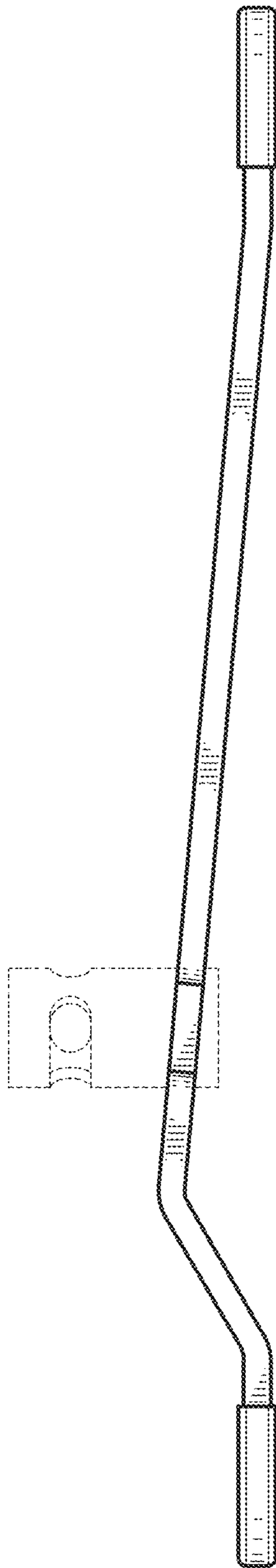


FIG. 4

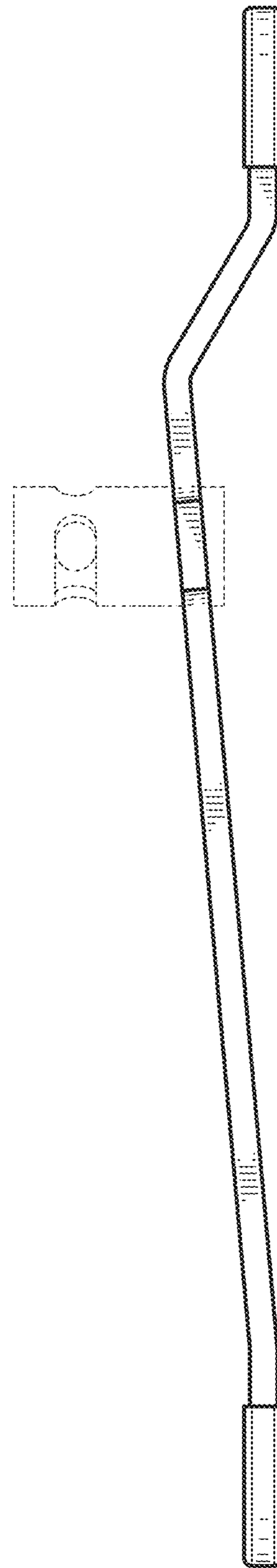


FIG. 5

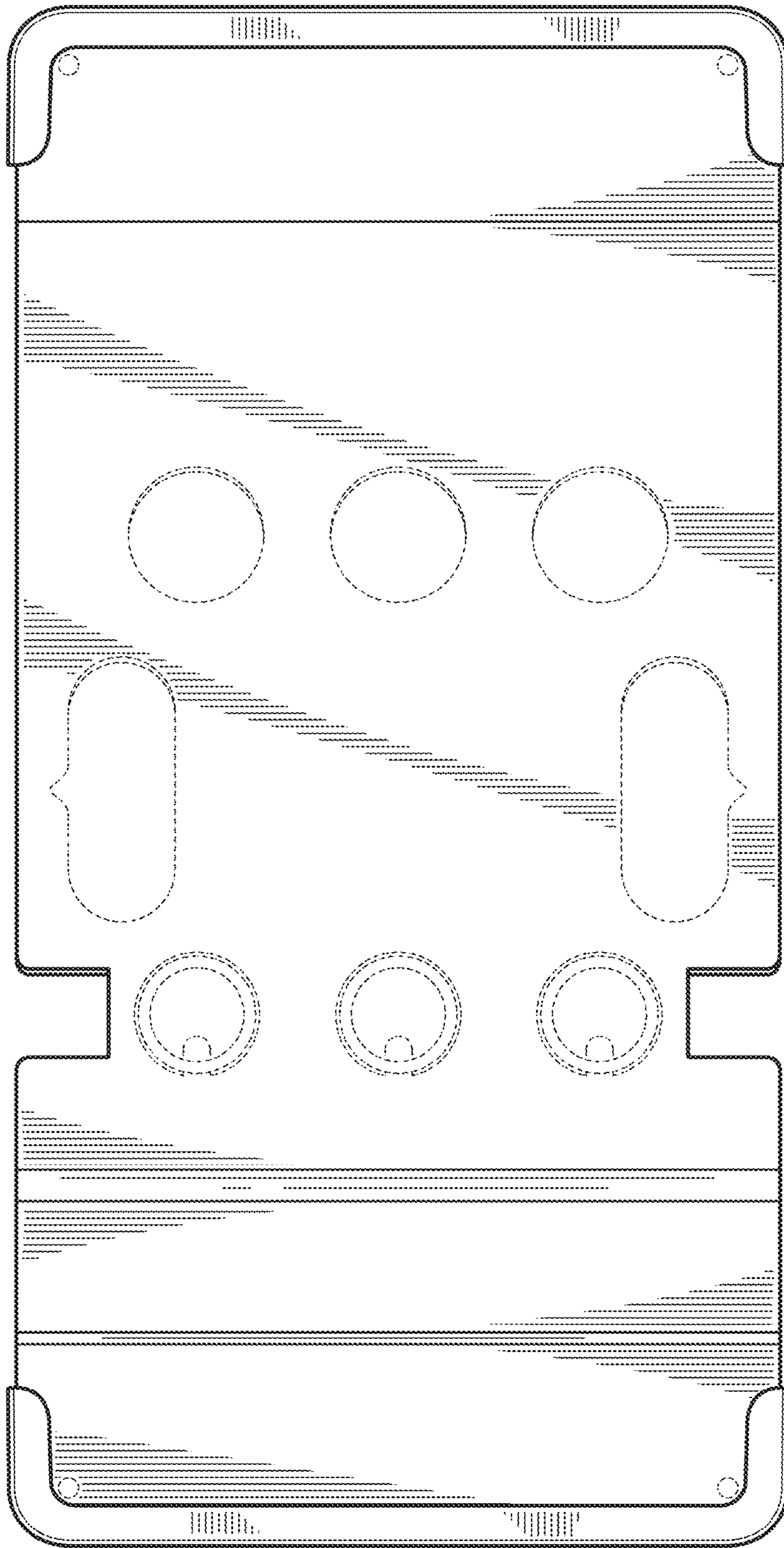


FIG. 6

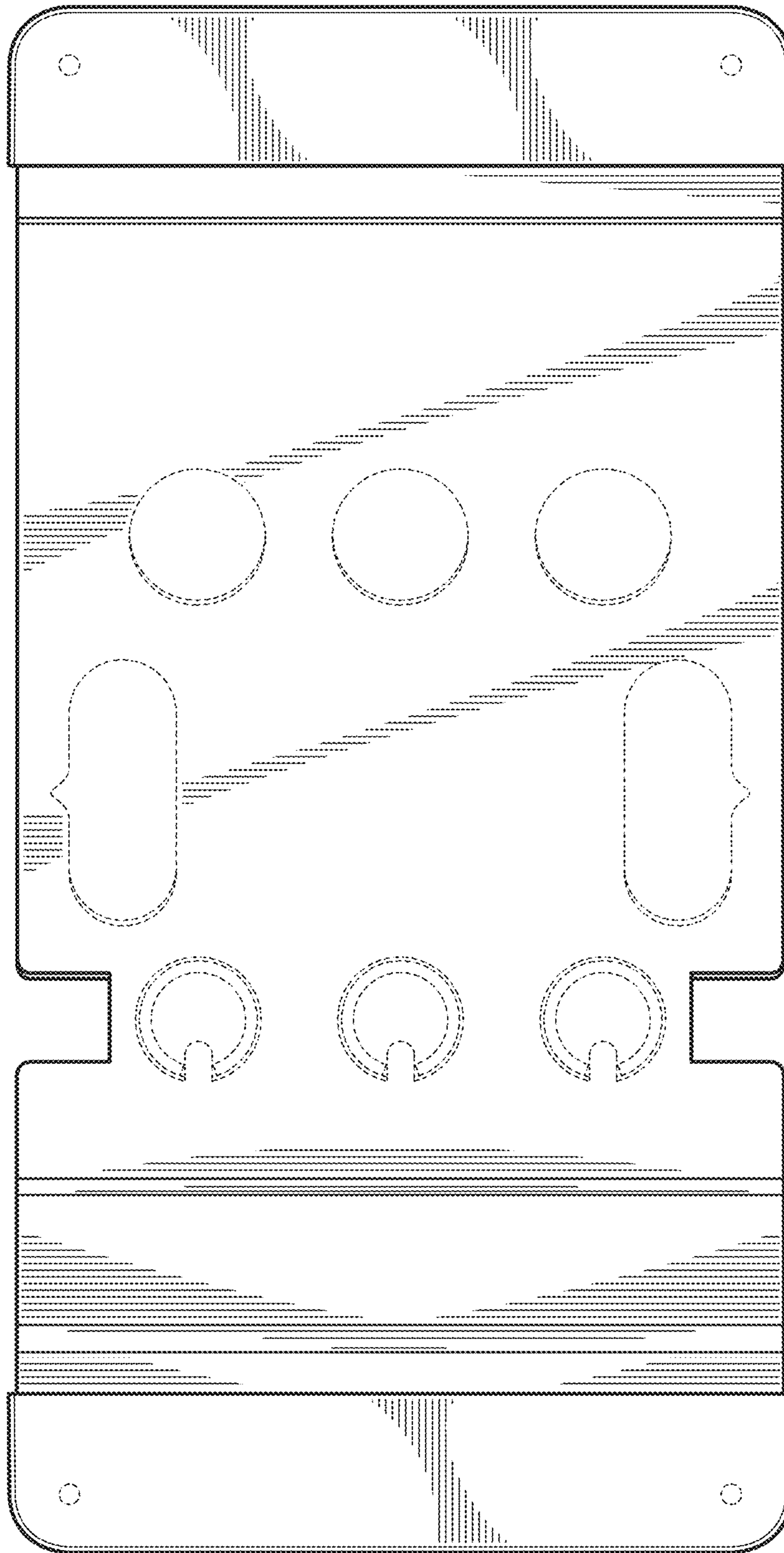


FIG. 7