



US00D882828S

(12) **United States Design Patent** (10) **Patent No.:** **US D882,828 S**
Hilliaho (45) **Date of Patent:** **** Apr. 28, 2020**

(54) **BUILDING ROOF COMPONENT**
(71) Applicant: **Esa Hilliaho**, Valkeala (FI)
(72) Inventor: **Esa Hilliaho**, Valkeala (FI)
(73) Assignee: **Lumon Invest OY**, Kouvola (FI)
(**) Term: **15 Years**
(21) Appl. No.: **29/597,156**
(22) Filed: **Mar. 14, 2017**

(30) **Foreign Application Priority Data**
Sep. 14, 2016 (WO) DM/092619
(51) **LOC (12) Cl.** **25-01**
(52) **U.S. Cl.**
USPC **D25/133**
(58) **Field of Classification Search**
USPC D25/125, 126, 127, 128, 129, 130, 131,
D25/132, 133, 134, 135, 136, 107, 121;
D21/386, 389, 404, 484, 485, 486, 487,
D21/488, 489, 490, 491, 492; 52/503,
52/504, 505, 574, 575, 596, 600-605;
D12/181, 190, 191, 196, 400; D8/302,
D8/305, 307, 311, 353, 394, 397
CPC ... E04B 7/045; E04B 7/02; E04B 1/40; E04B
1/2604; E04B 2001/045; E04B
2001/2644; E04B 7/22; B60R 13/04;
B23K 2101/006; B23K 2101/18; B62D
25/06; B62D 27/026; E04D 3/04; E04D
3/26; E04D 3/32; H02S 20/25; Y02B
10/12

See application file for complete search history.

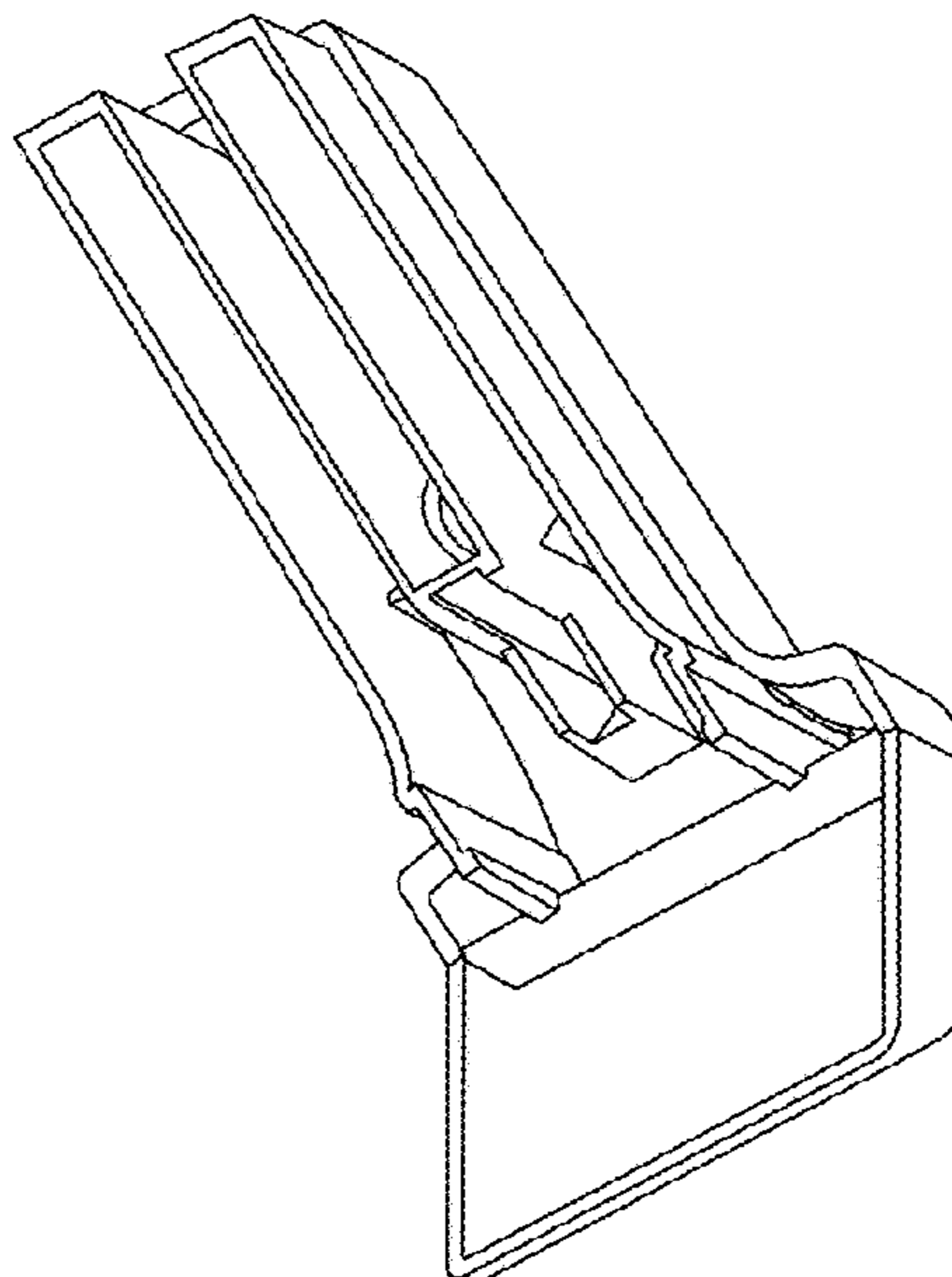
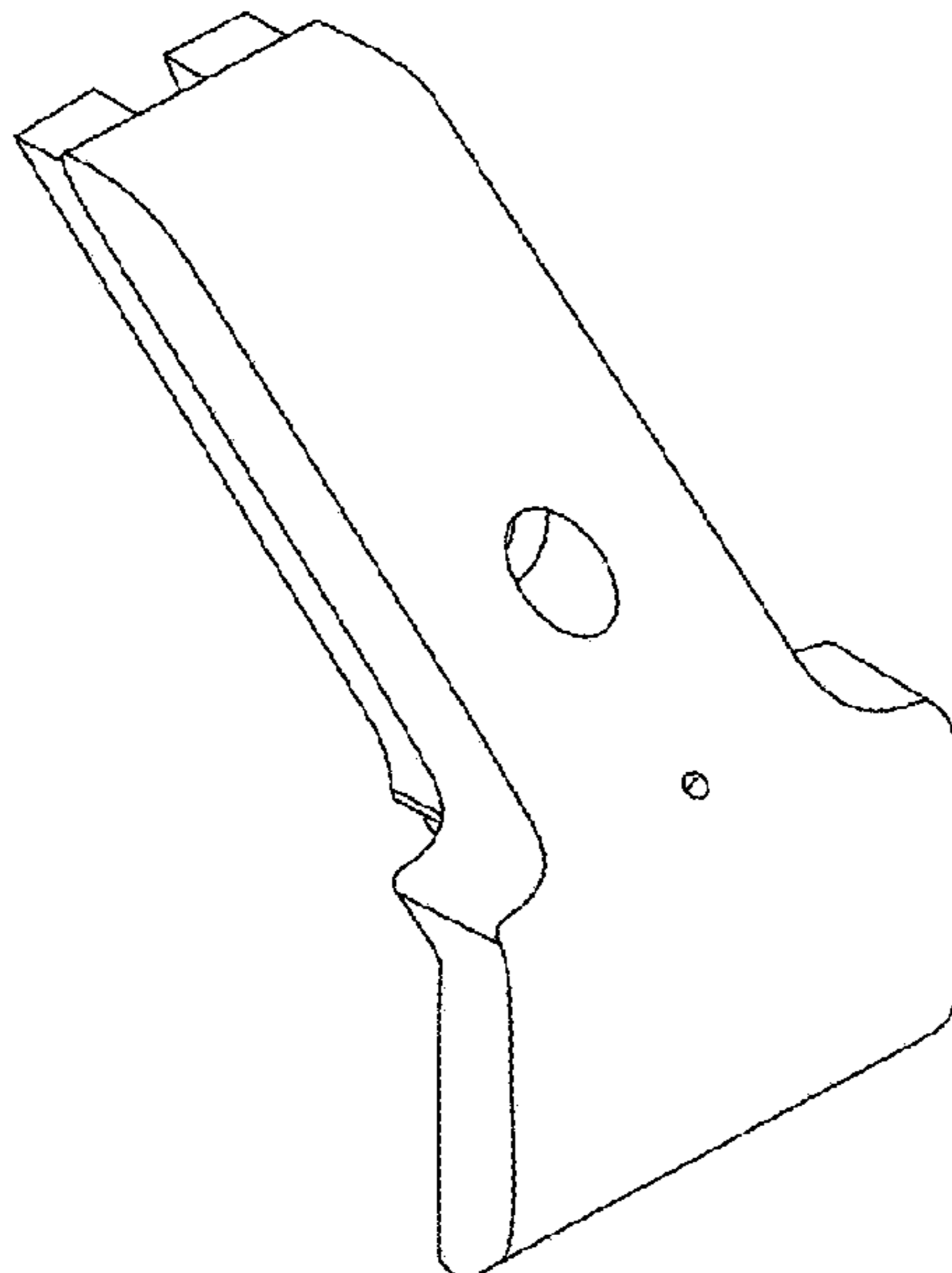
(56) **References Cited**
U.S. PATENT DOCUMENTS
D513,171 S * 12/2005 Richardson D25/133
D773,287 S * 12/2016 Lida D8/363
D785,210 S * 4/2017 Honein D25/133
D792,751 S * 7/2017 Hilliaho D8/307
D812,535 S * 3/2018 Milton D12/181
D819,232 S * 5/2018 Santjer D25/133
D822,853 S * 7/2018 Honein D25/133
D832,465 S * 10/2018 Hilliaho D25/119
2002/0172545 A1 * 11/2002 Greaves E04F 11/1834
403/67
2015/0284952 A1 * 10/2015 Hilliaho E04B 1/0046
52/11
2018/0291662 A1 * 10/2018 Hilliaho E06B 3/4609
* cited by examiner

Primary Examiner — Samantha Q Lawrence
(74) *Attorney, Agent, or Firm* — Hoffman & Baron, LLP

(57) **CLAIM**
The ornamental design for a building roof component, as shown and described.

DESCRIPTION
FIG. 1 is a top, front and right side perspective view of a building roof component of my new design;
FIG. 2 is a bottom, rear and right side perspective view thereof;
FIG. 3 is a front view thereof;
FIG. 4 is a rear view thereof;
FIG. 5 is a right side view, the left side being the mirror image thereof;
FIG. 6 is a top view thereof; and,
FIG. 7 is a bottom view thereof.

1 Claim, 4 Drawing Sheets



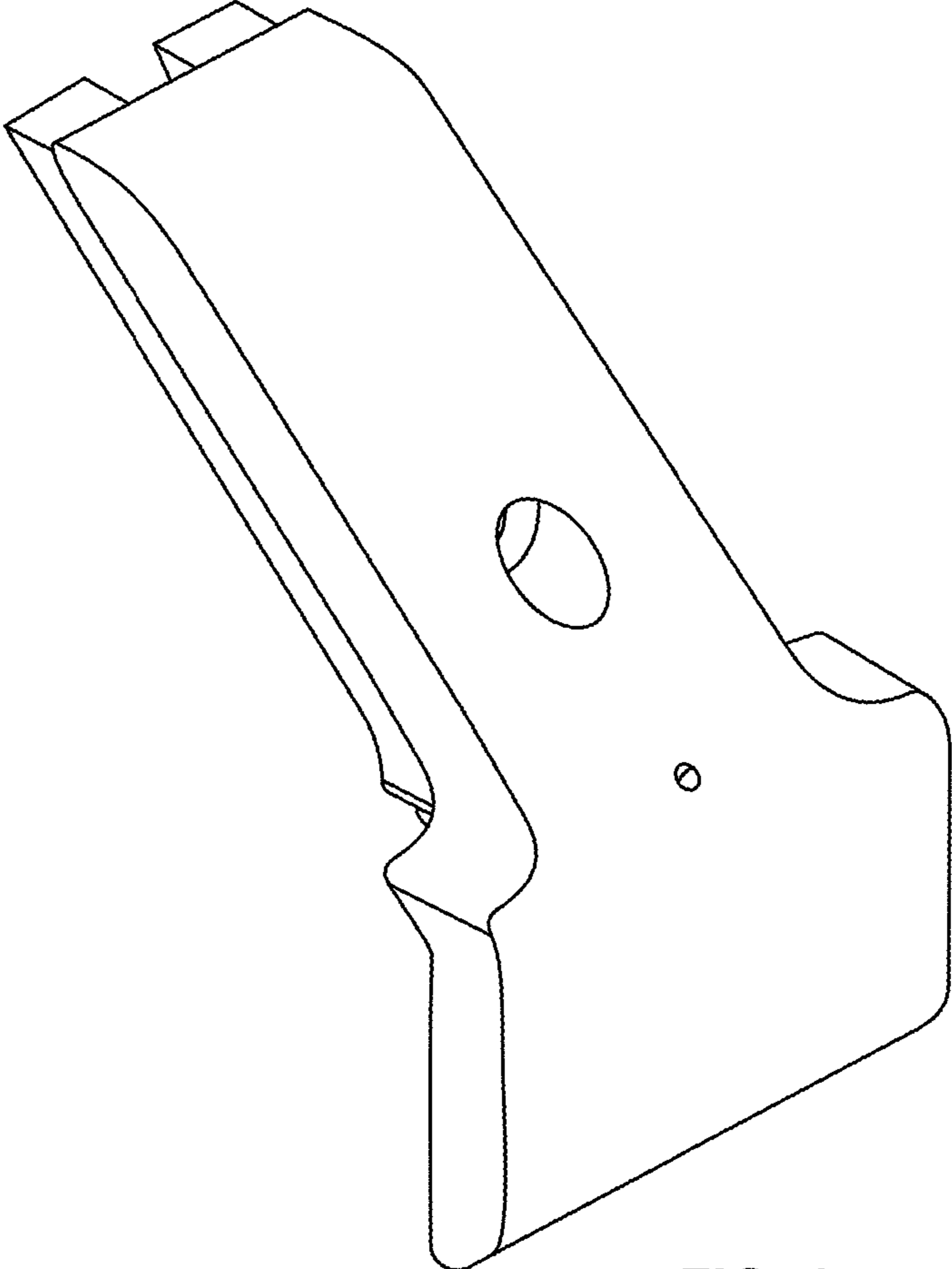


FIG. 1

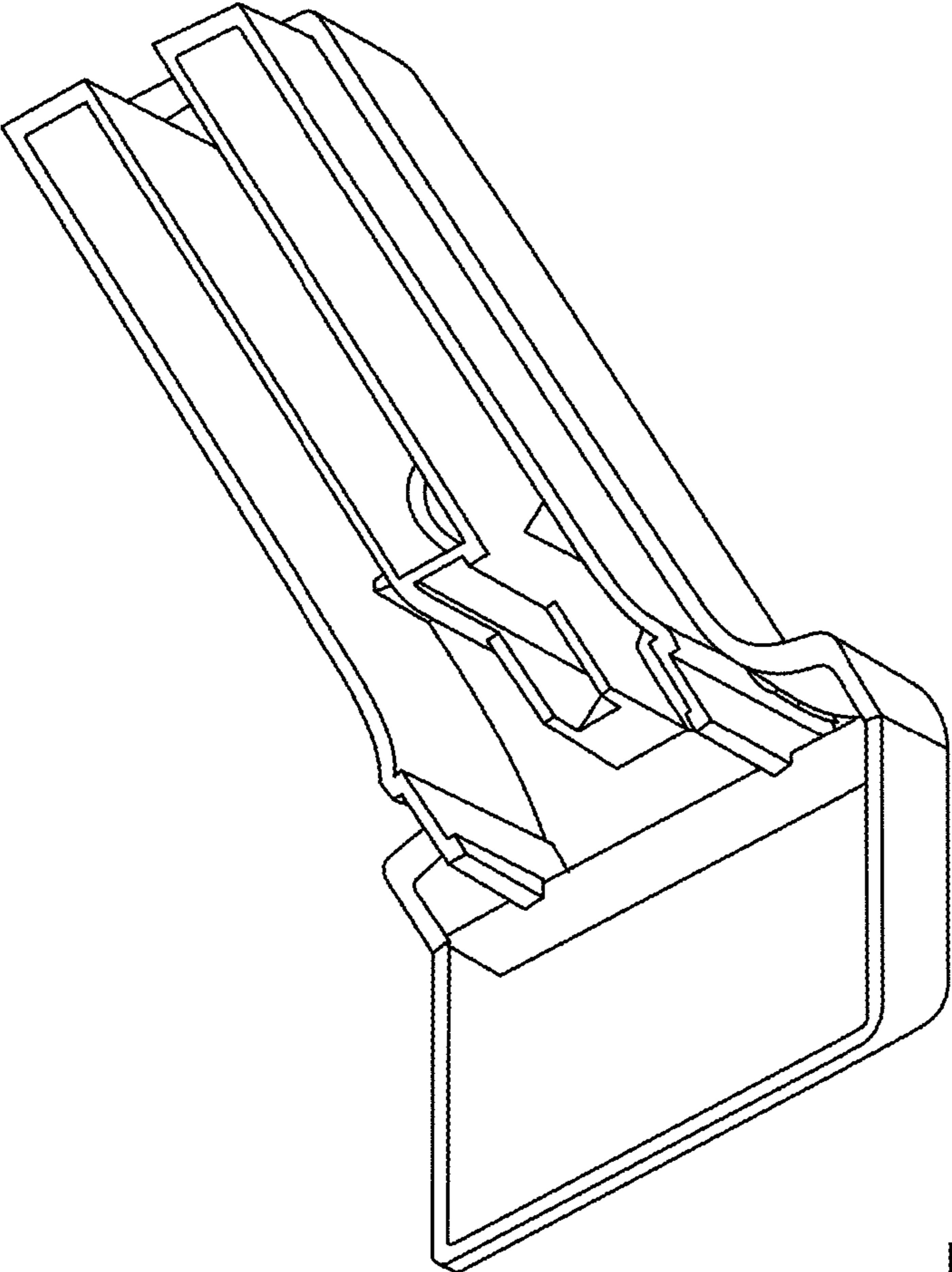


FIG. 2

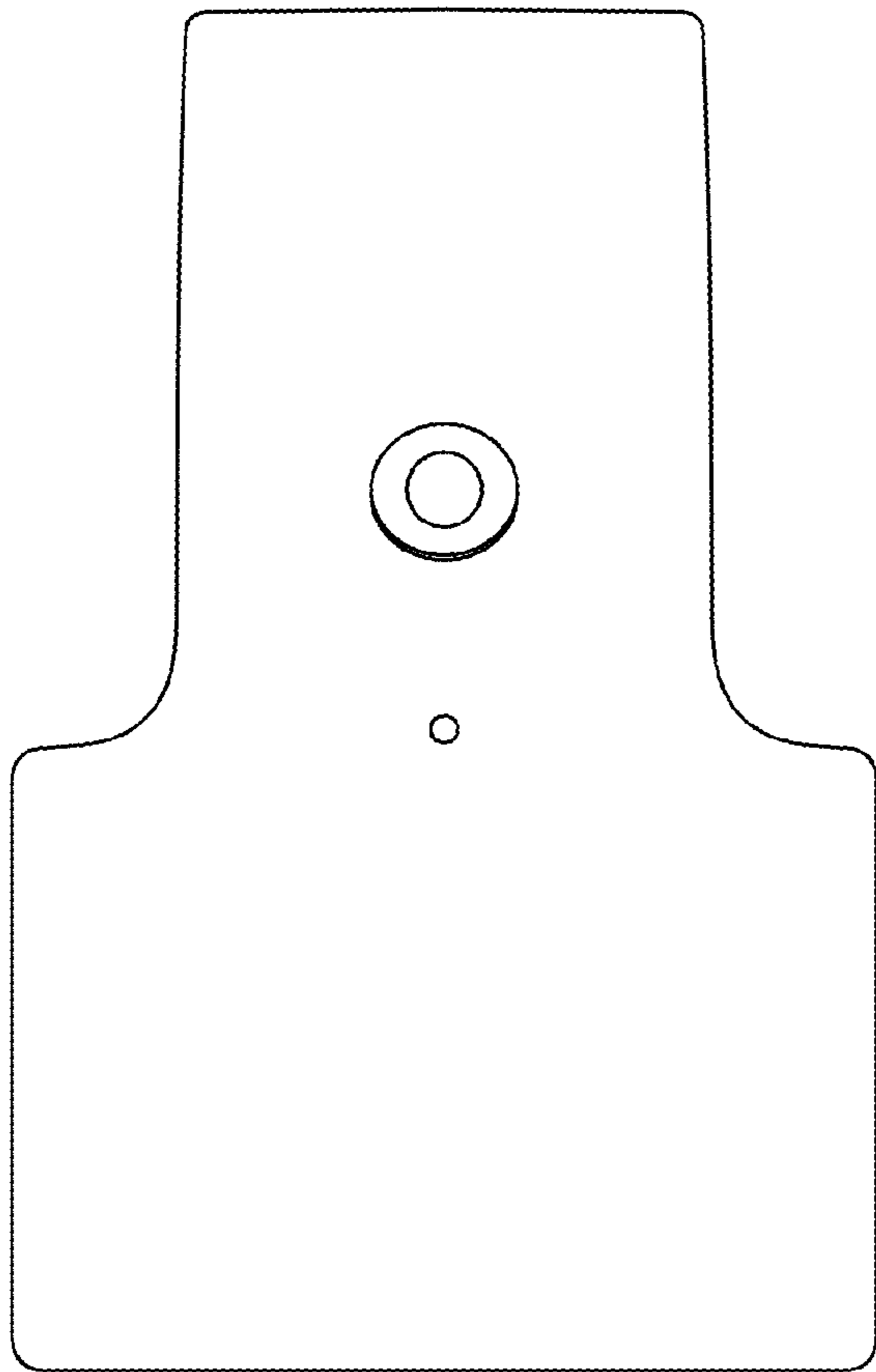


FIG. 3

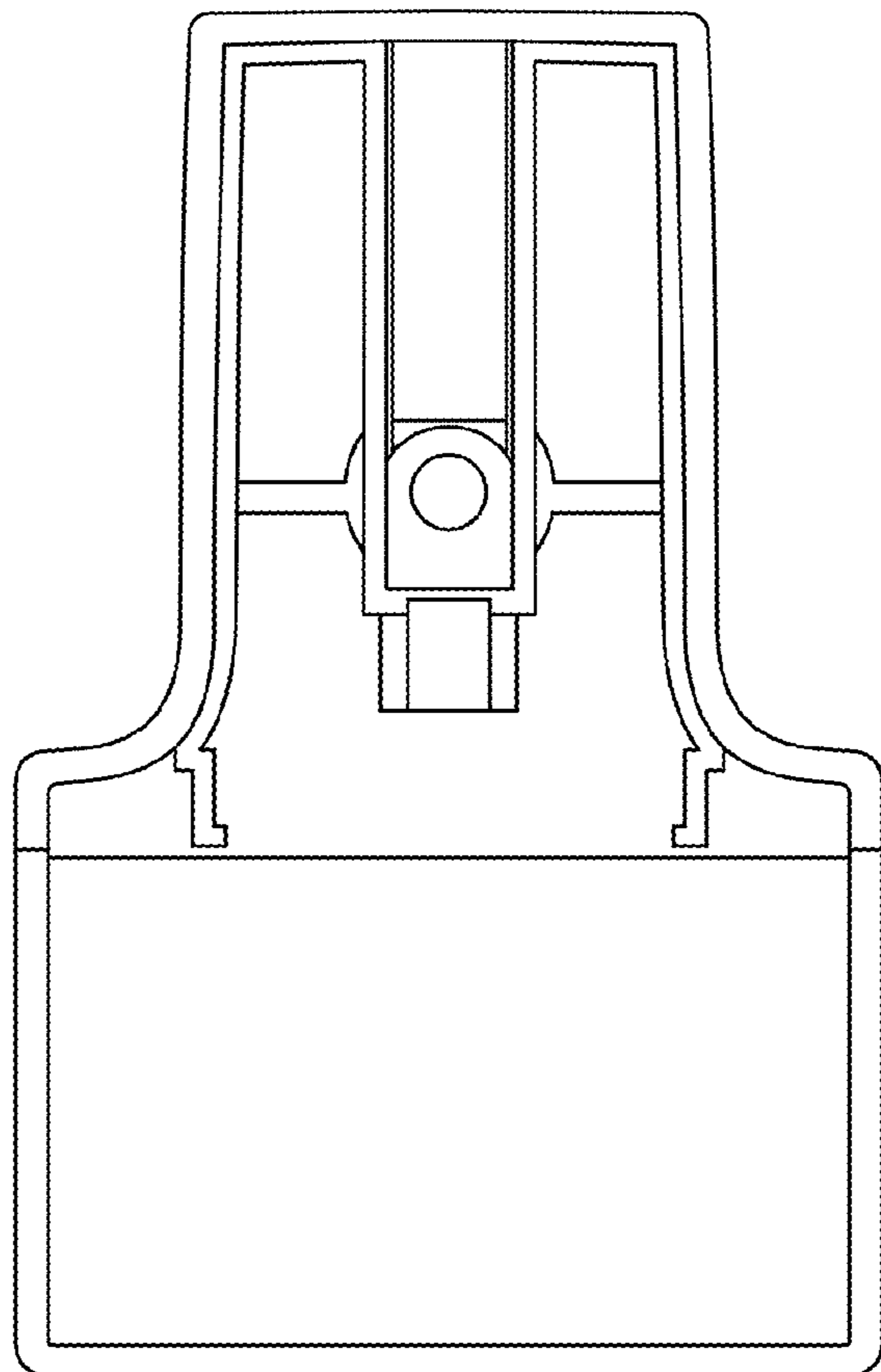


FIG. 4

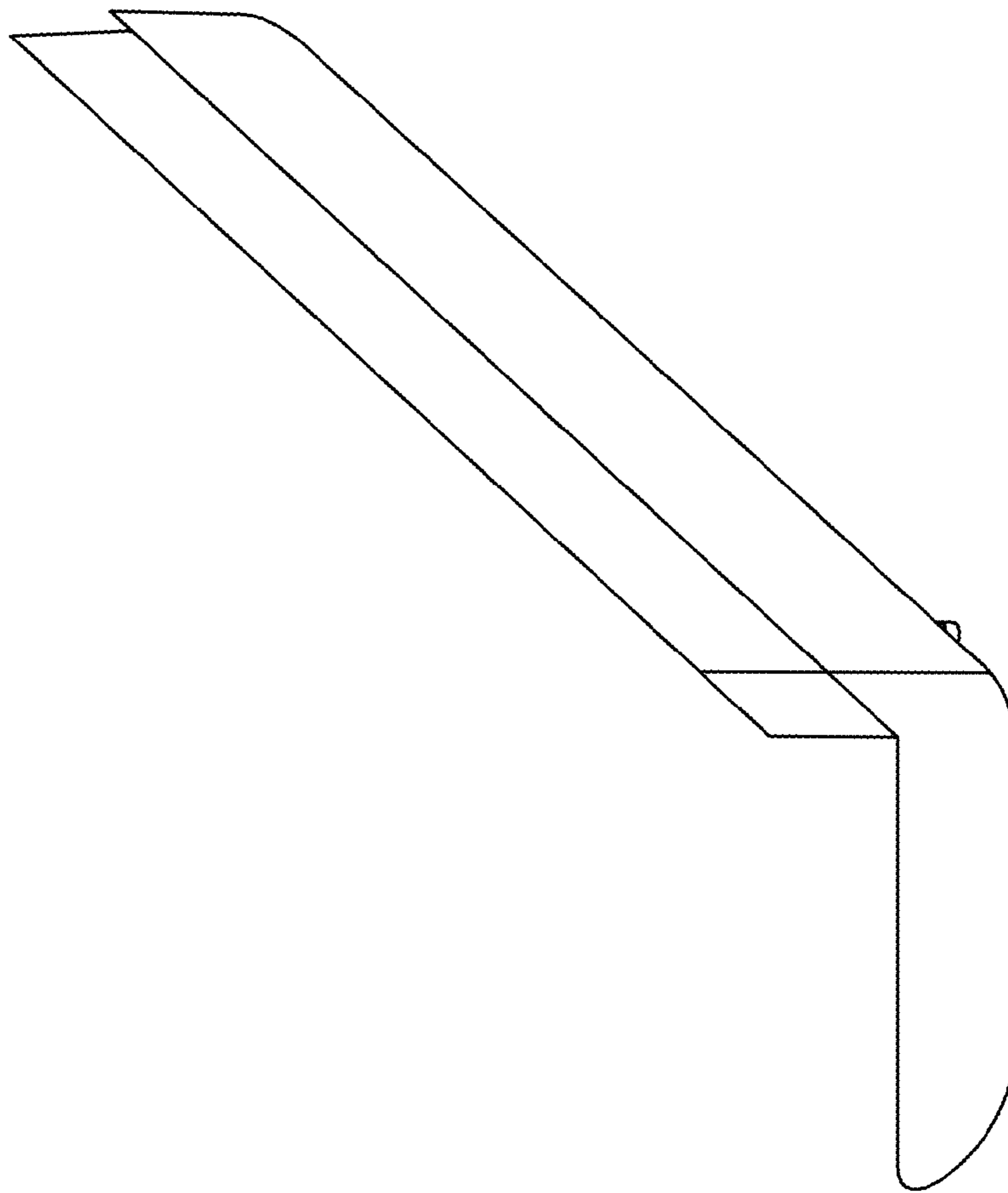


FIG. 5

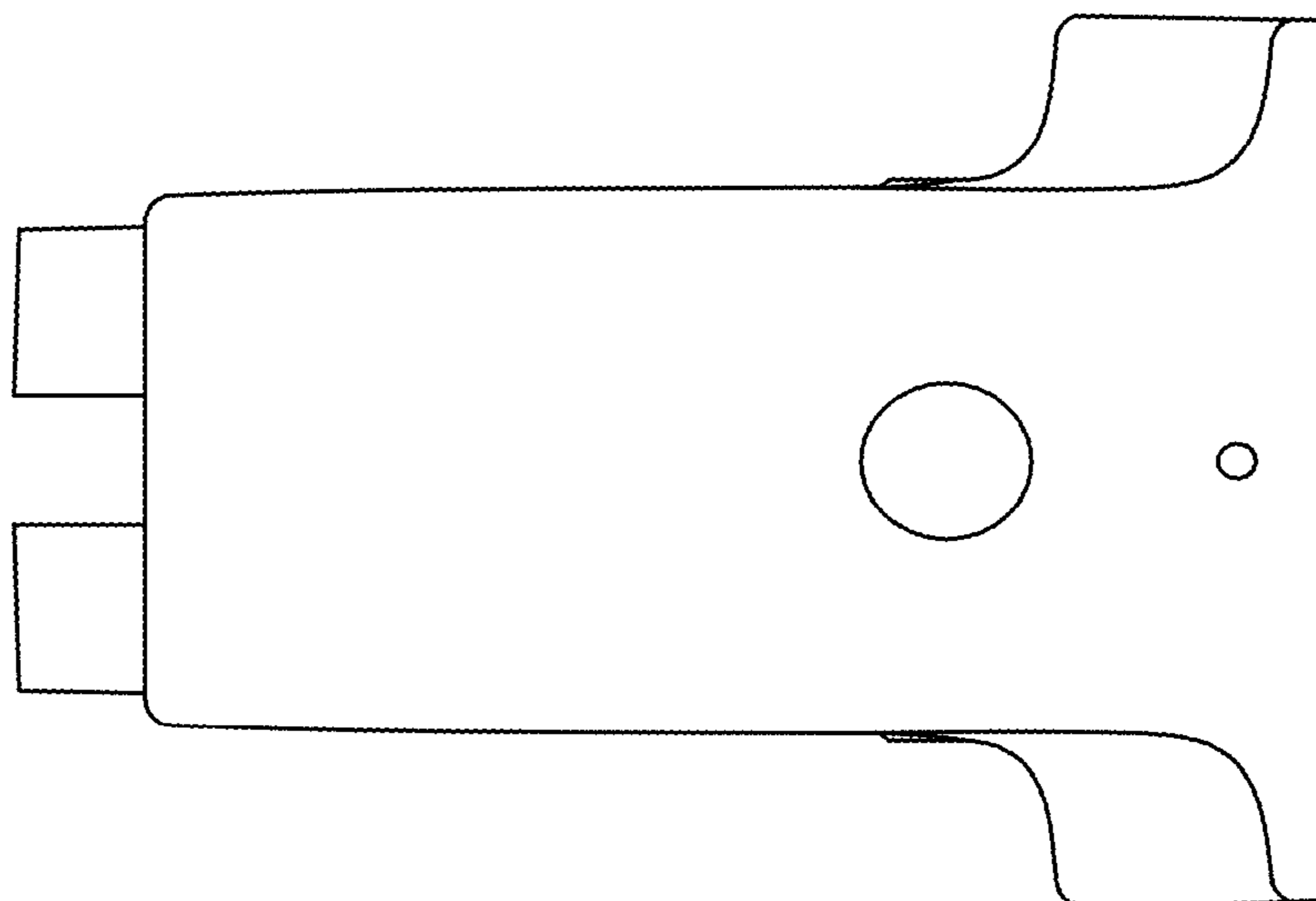


FIG. 6

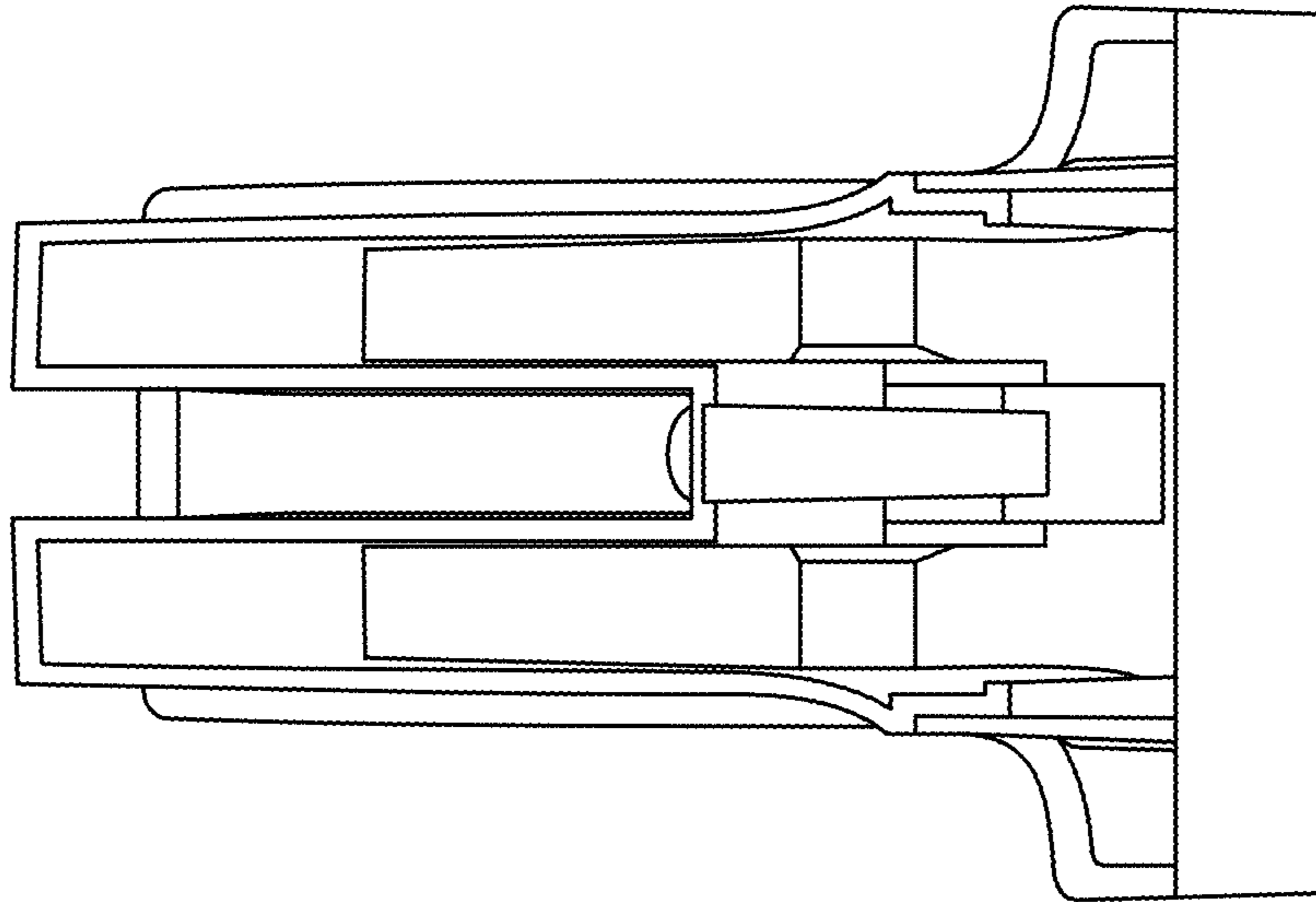


FIG. 7