



US00D882826S

(12) **United States Design Patent** (10) **Patent No.:** **US D882,826 S**
Santini (45) **Date of Patent:** **** Apr. 28, 2020**

(54) **TUBULAR BEAM**
(71) Applicant: **Patrick J. Santini**, West Bend, WI (US)
(72) Inventor: **Patrick J. Santini**, West Bend, WI (US)
(**) Term: **15 Years**
(21) Appl. No.: **29/603,606**
(22) Filed: **May 11, 2017**

Related U.S. Application Data

(63) Continuation-in-part of application No. 14/661,025, filed on Mar. 18, 2015, now abandoned.
(51) **LOC (12) Cl.** **25-01**
(52) **U.S. Cl.**
USPC **D25/126**
(58) **Field of Classification Search**
USPC D25/38.1, 39, 42, 43, 47.1, 48.4, 48.8, D25/61, 119, 122, 126, 127, 128, 129, D25/130, 131, 132, 133, 134, 135, 139, D25/143, 157; D12/182-183, 223; 160/133, 87, 187, 229.1, 235, 236; 52/155, 165, 170, 295, 689, 702; D8/10, D8/16, 19, 349, 350, 353, 354, 364, 366, D8/373, 380, 381, 499; D28/31-34, 25, D28/39-43
CPC E06B 9/15; E06B 2009/005; E06B 2009/1544; E06B 3/481; E06B 2009/2447; E06B 9/174; E06B 9/50; E01F 9/627; E02D 27/42; E02D 5/60; E04F 19/00; E04H 12/2292; E05D 1/04; A47H 1/03; A47H 1/14; F16M 11/041; E04B 1/34326; E04C 3/00; E04C 3/02; E04C 3/30; F16B 7/18

See application file for complete search history.

(56) **References Cited**
U.S. PATENT DOCUMENTS
1,818,418 A * 8/1931 Millard E04B 1/24 52/263
6,729,089 B1 * 5/2004 Spragg E04H 12/2238 248/346.03
7,264,416 B2 * 9/2007 Kahl F16B 7/18 211/182
7,464,513 B2 * 12/2008 Rioux E04H 12/08 52/651.01
7,637,076 B2 * 12/2009 Vaughn E02D 27/34 403/169
D611,673 S * 3/2010 Andrews D34/35
7,762,042 B2 * 7/2010 Packard, III H02G 3/0608 174/68.1

(Continued)

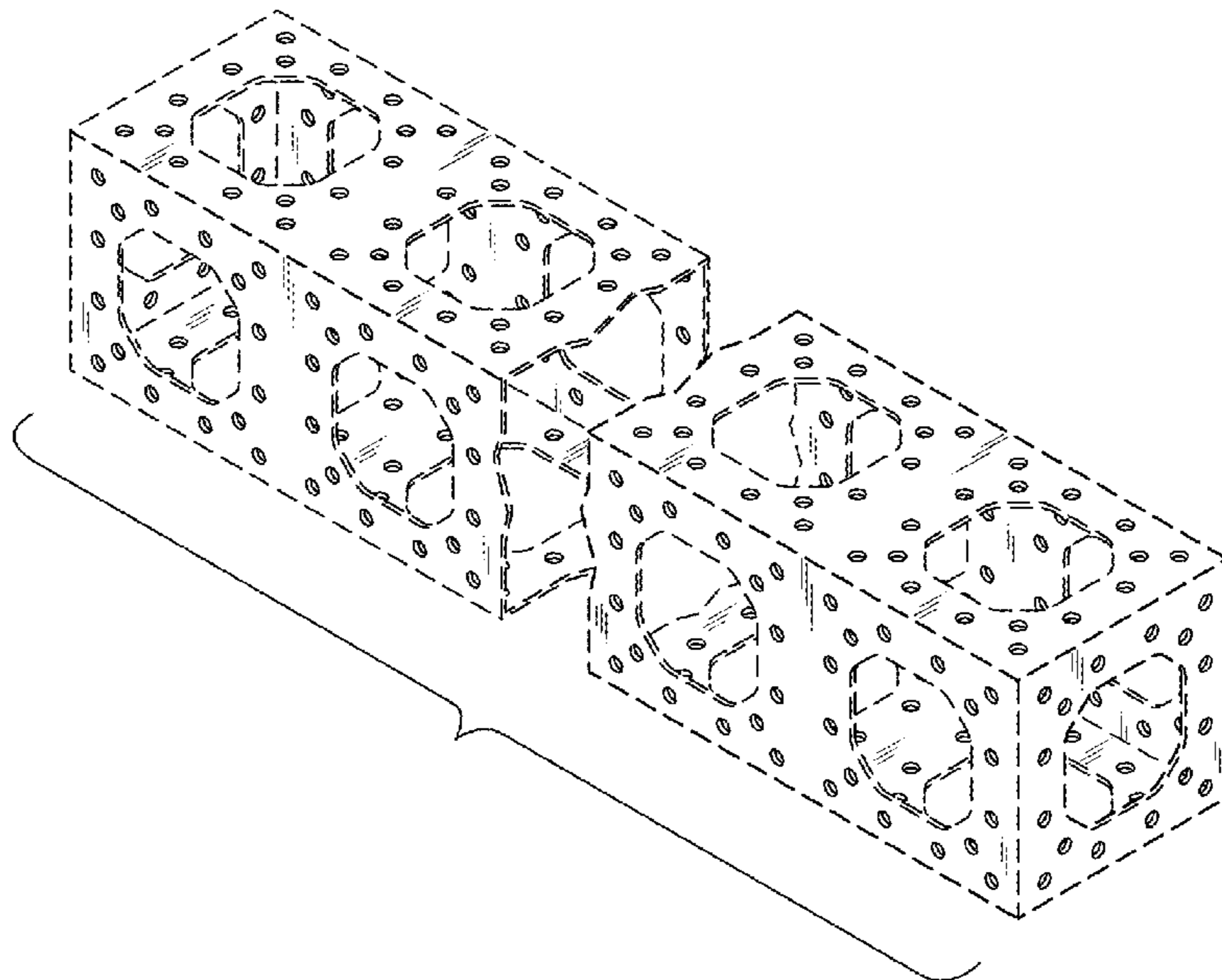
Primary Examiner — Samantha Q Lawrence
(74) *Attorney, Agent, or Firm* — Donald J. Ersler

(57) **CLAIM**
The ornamental design for a tubular beam, as shown and described.

DESCRIPTION

FIG. 1 is a top perspective view of a tubular beam incorporating my new design;
FIG. 2 is a right side view thereof;
FIG. 3 is a left side view thereof;
FIG. 4 is a front elevation view thereof;
FIG. 5 is a rear elevation view thereof;
FIG. 6 is top plan view thereof;
FIG. 7 is a bottom plan view thereof; and,
FIG. 8 is a bottom perspective view thereof.
The broken lines shown in the drawings illustrate portions of the tubular beam that form no part of the claimed invention. The tubular beam is shown with a symbolic break in its length. The appearance of any portion of the article between the break lines forms no part of the claimed design.

1 Claim, 5 Drawing Sheets



(56)

References Cited

U.S. PATENT DOCUMENTS

8,418,425	B1 *	4/2013	Santini	E04H 3/28 52/653.1
8,769,908	B1 *	7/2014	Santini	E04C 2/38 446/123
9,004,439	B2 *	4/2015	Gross	E04H 12/2269 248/507
9,376,815	B1 *	6/2016	Santini	E04C 2/06
9,803,365	B2 *	10/2017	Peltier	E04C 3/083
D831,232	S *	10/2018	Dionne	D25/126
10,180,007	B1 *	1/2019	Santini	E04G 1/12
D854,710	S *	7/2019	Hendry	D25/126
2006/0063398	A1 *	3/2006	Witte	F16B 7/18 439/66
2007/0209314	A1 *	9/2007	Vaughn	E02D 27/34 52/838
2007/0261356	A1 *	11/2007	Vaughn	E02D 27/34 52/655.1
2008/0178551	A1 *	7/2008	Porter	E04B 1/24 52/653.1
2008/0203262	A1 *	8/2008	Sparks	F16B 7/18 248/346.01
2013/0108394	A1 *	5/2013	Zhu	F16B 7/18 411/366.1
2015/0328977	A1 *	11/2015	Lueschen	B60K 11/04 180/68.4

* cited by examiner

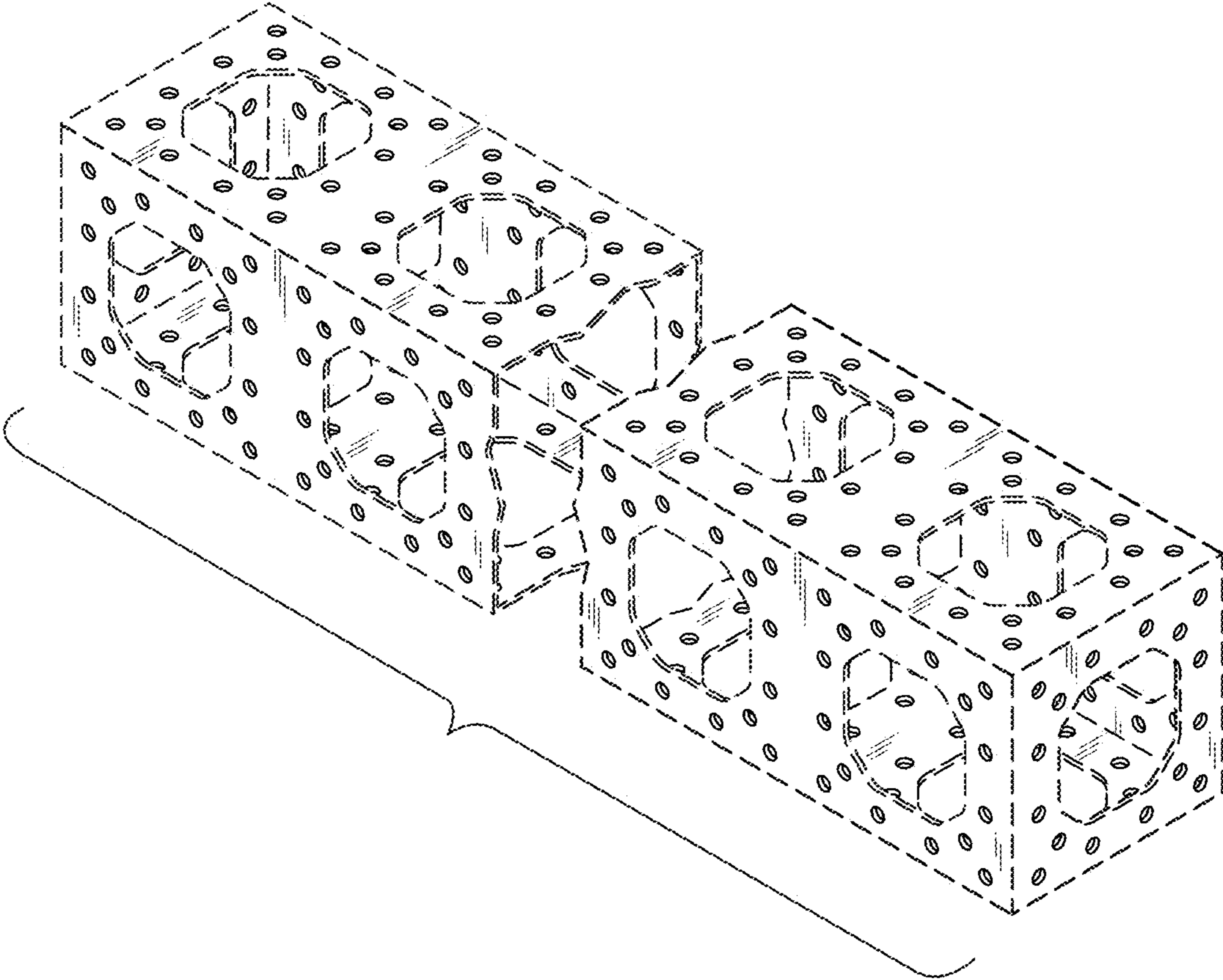


FIG. 1

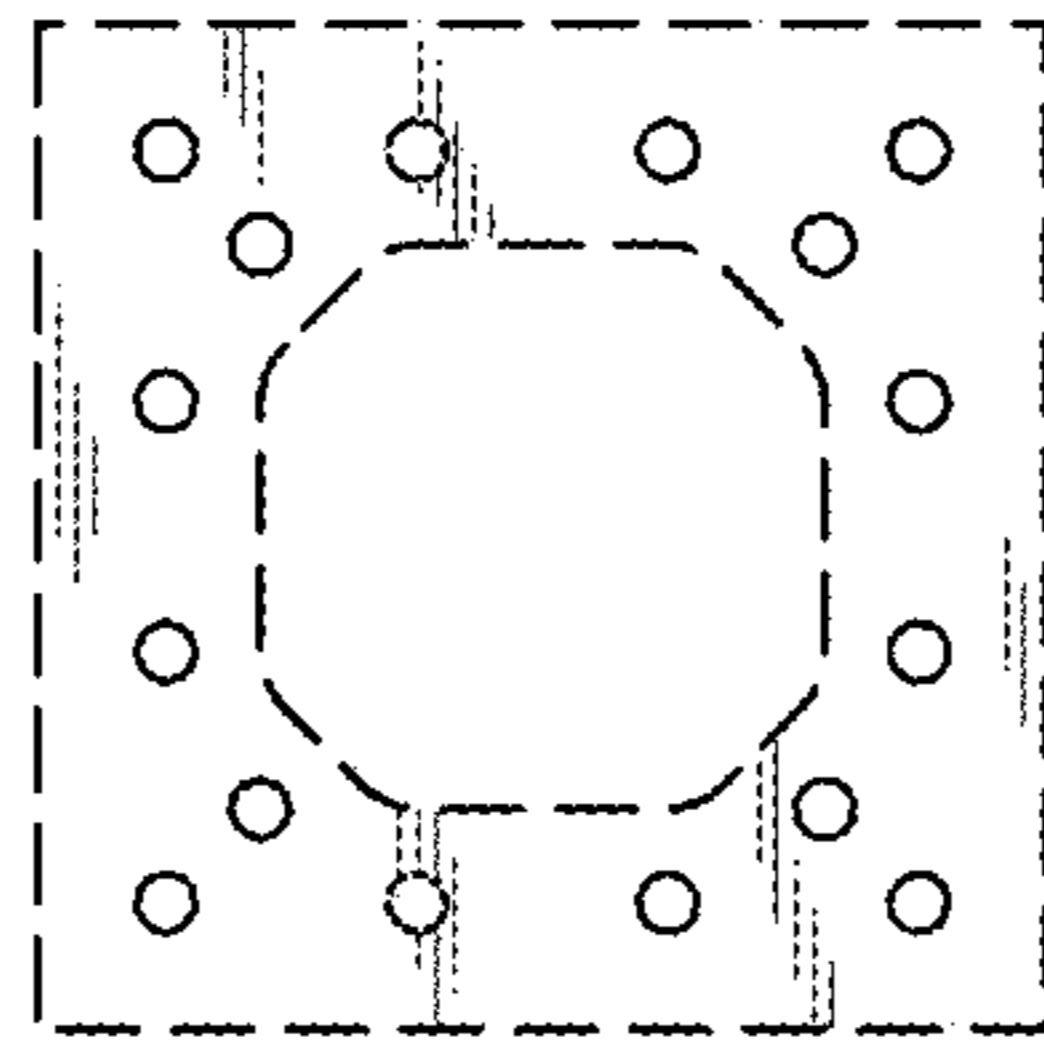


FIG. 2

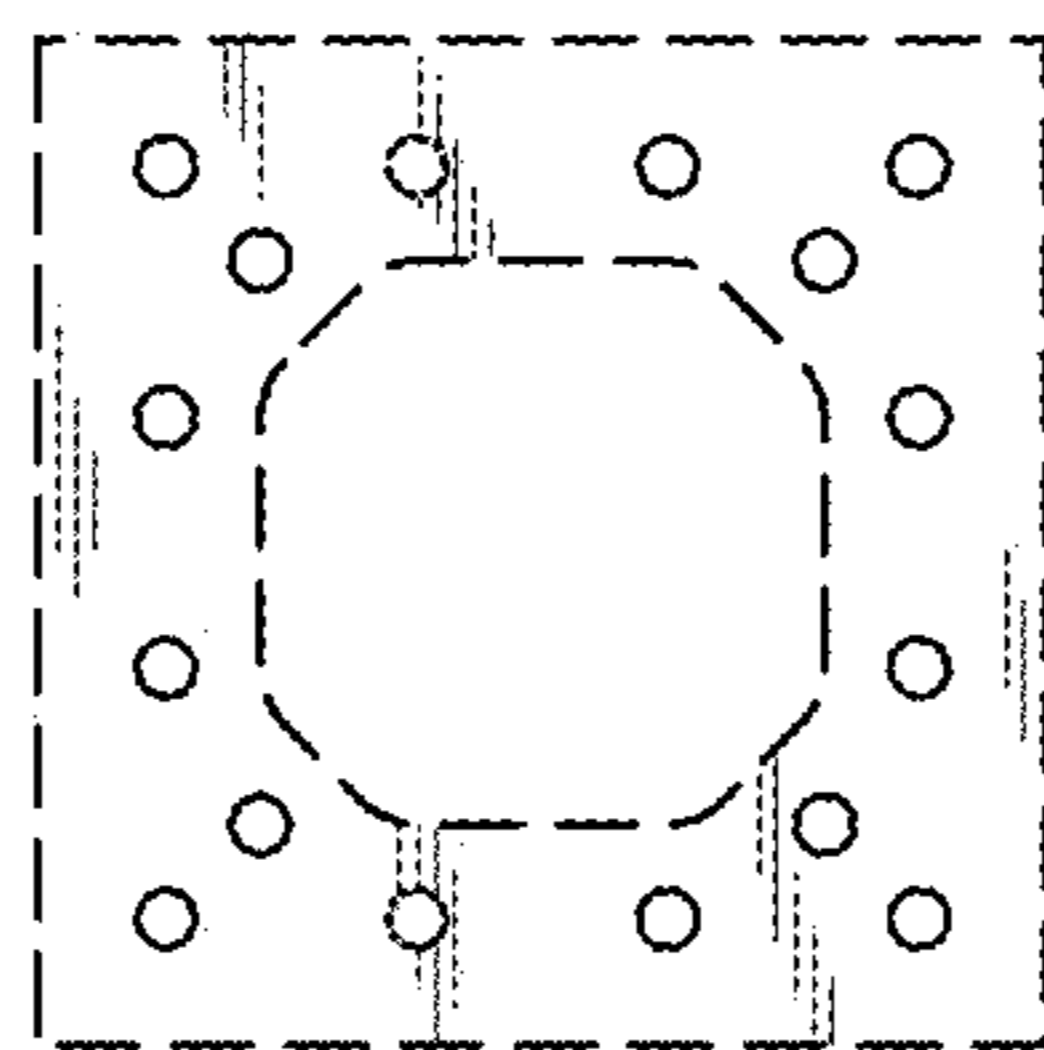


FIG. 3

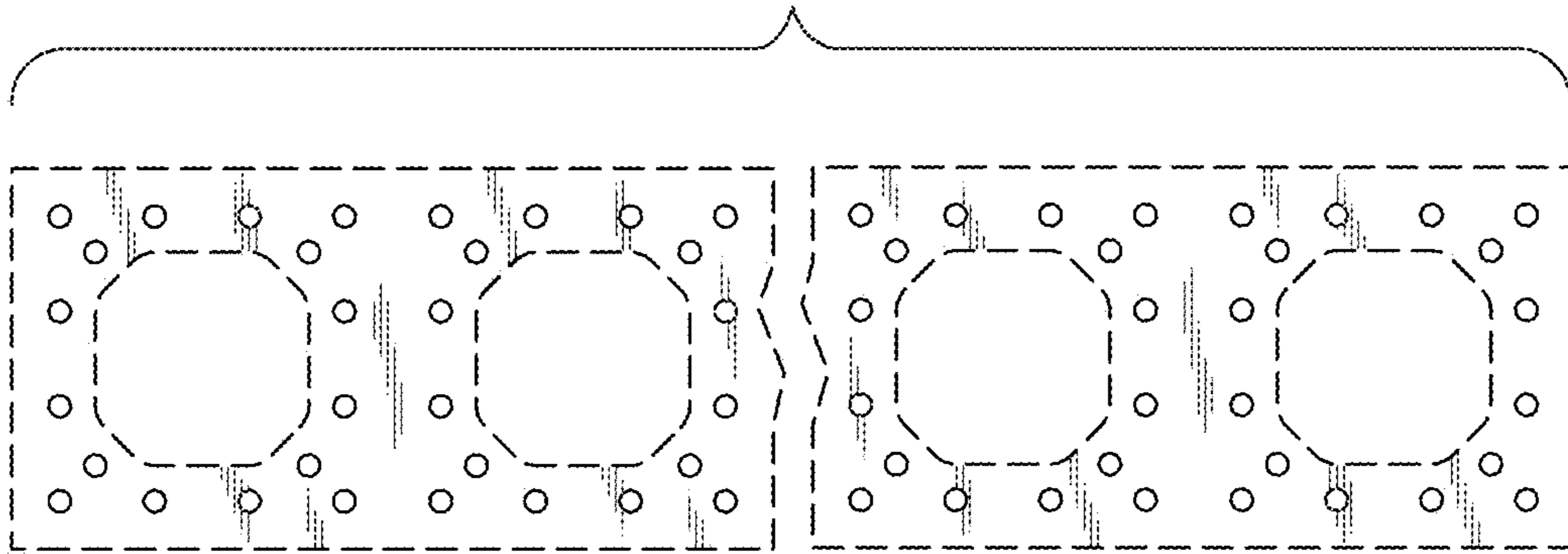


FIG. 4

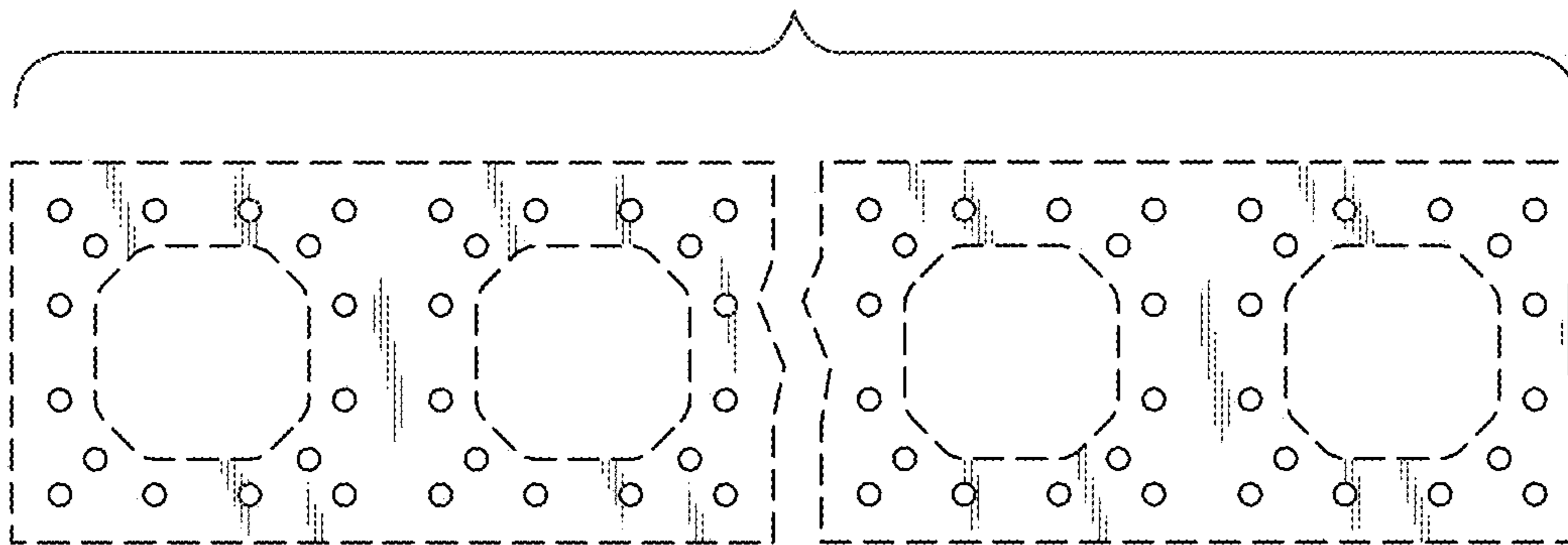


FIG. 5

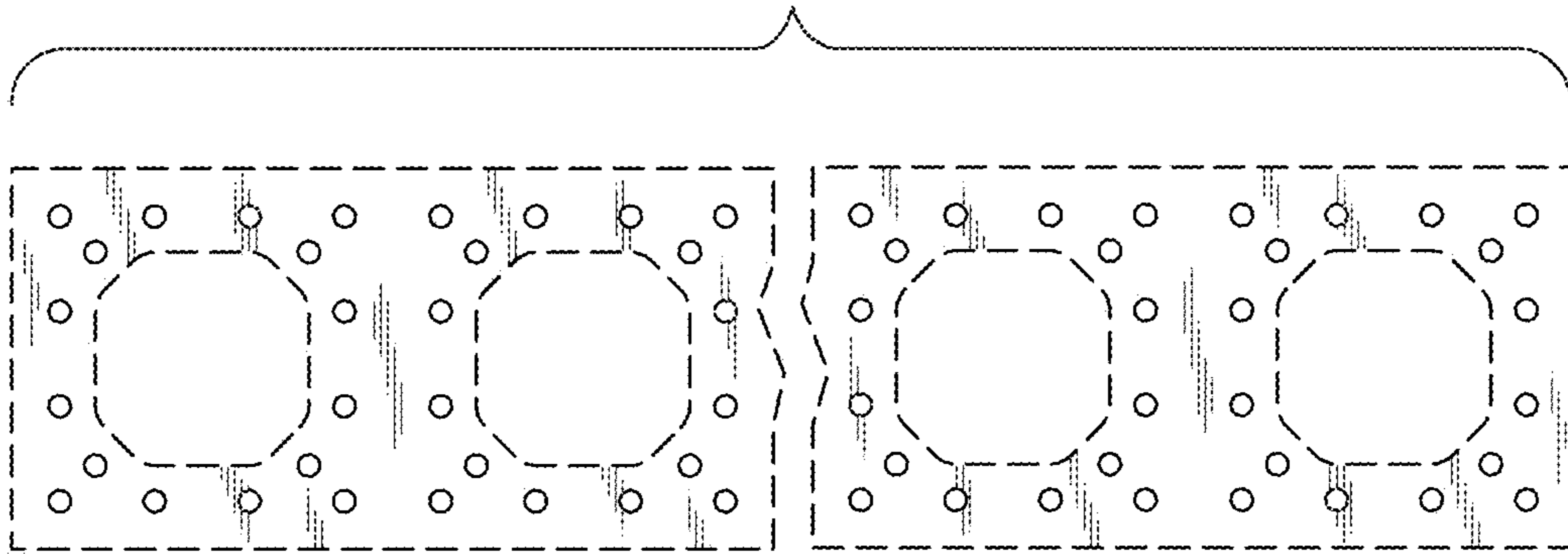


FIG. 6

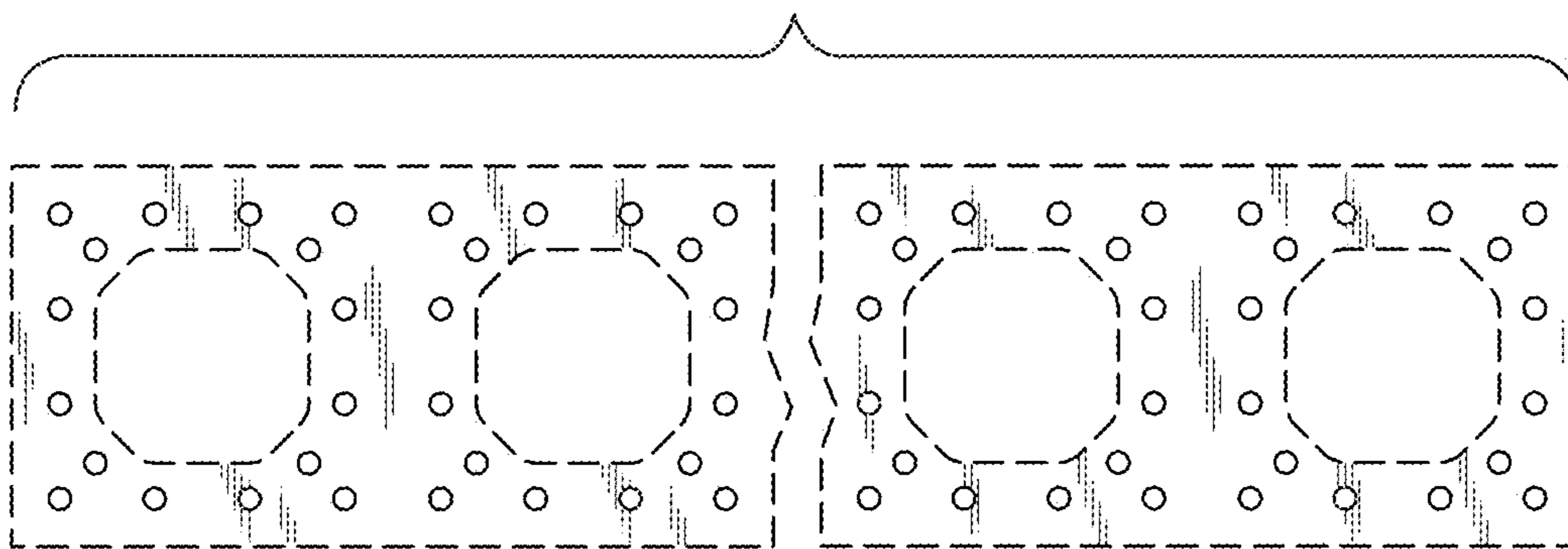


FIG. 7

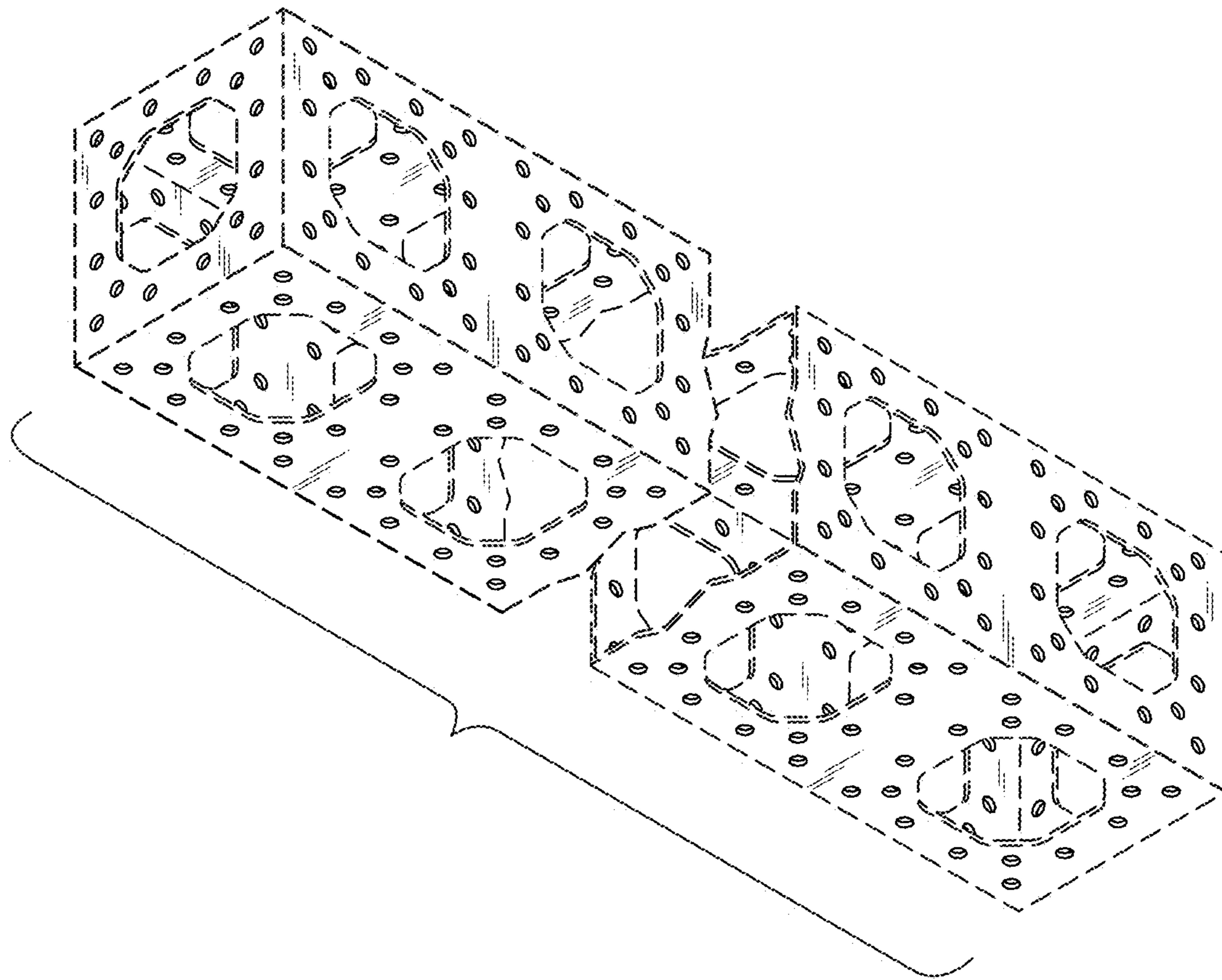


FIG. 8