



US00D882824S

(12) **United States Design Patent**  
**Hanlon**

(10) **Patent No.:** **US D882,824 S**

(45) **Date of Patent:** **\*\* Apr. 28, 2020**

(54) **COMBINATION SAWHORSE AND POWER TOOL STAND**

(71) Applicant: **JS Products, Inc.**, Las Vegas, NV (US)

(72) Inventor: **Jared W. Hanlon**, Las Vegas, NV (US)

(73) Assignee: **JS Products, Inc.**, Las Vegas, NV (US)

(\*\*) Term: **15 Years**

(21) Appl. No.: **29/628,471**

(22) Filed: **Dec. 5, 2017**

(51) **LOC (12) Cl.** ..... **25-04**

(52) **U.S. Cl.**  
USPC ..... **D25/67**

(58) **Field of Classification Search**  
USPC ..... D25/62-69; 144/287, 286.5, 286.1, 269;  
182/153, 181.1; D15/141  
CPC ... B25H 1/06; B25H 1/04; B25H 1/14; B25H  
1/08; B25H 1/16; B25H 1/00; B25H  
1/0042; B25H 1/005  
See application file for complete search history.

(56) **References Cited**

**U.S. PATENT DOCUMENTS**

5,836,365	A *	11/1998	Derecktor	.....	B25H 1/06 144/287
6,745,804	B2 *	6/2004	Welsh	.....	B25H 1/04 144/287
7,210,510	B2 *	5/2007	Barclay deTolly	.....	B25H 1/06 144/269

7,222,648	B2 *	5/2007	Liu	.....	B23D 47/02 144/286.5
D549,749	S *	8/2007	Francis	.....	D15/141
D584,421	S *	1/2009	Wise	.....	D25/67
D623,672	S *	9/2010	Francis	.....	D15/141
9,302,288	B2 *	4/2016	Waterston	.....	B05B 13/0285
9,557,000	B2 *	1/2017	Chang	.....	F16M 13/00

\* cited by examiner

*Primary Examiner* — Cynthia Ramirez

*Assistant Examiner* — Gino Colan

(74) *Attorney, Agent, or Firm* — Weide & Miller, Ltd.

(57) **CLAIM**

The ornamental design for a combination sawhorse and power tool stand, as shown and described.

**DESCRIPTION**

FIG. 1 is a front, bottom, and right perspective view of a combination sawhorse and power tool stand showing my new design;

FIG. 2 is a front, top, and right perspective view thereof;

FIG. 3 is a front perspective view thereof;

FIG. 4 is a back side elevation view thereof;

FIG. 5 is a left side elevation view thereof;

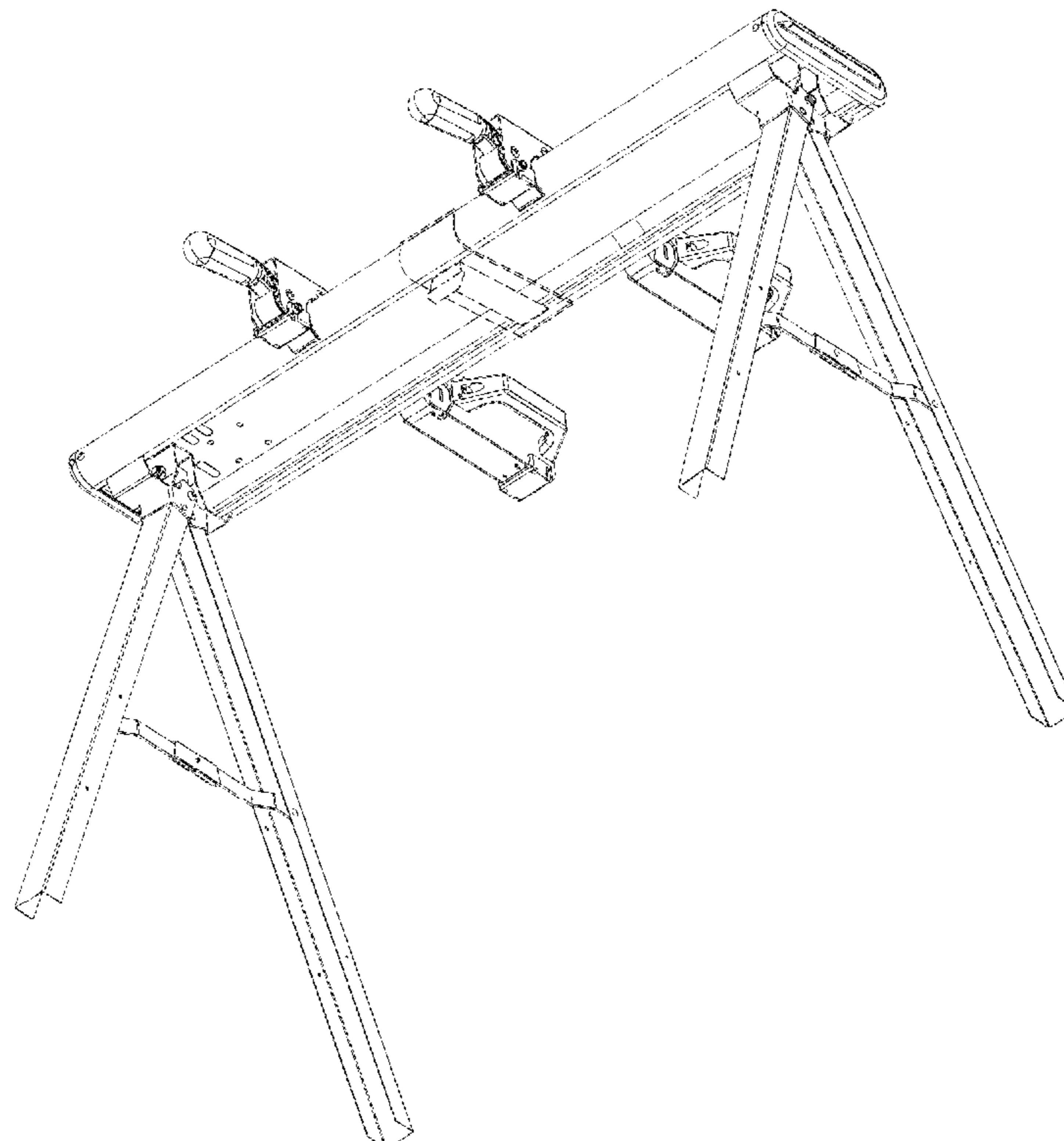
FIG. 6 is a right side elevation view thereof;

FIG. 7 is a top plan view thereof; and,

FIG. 8 is a bottom plan view thereof.

The broken lines in the drawings are included for the purpose of illustrating portions of the combination sawhorse and power stool stand which form no part of the claimed design.

**1 Claim, 6 Drawing Sheets**



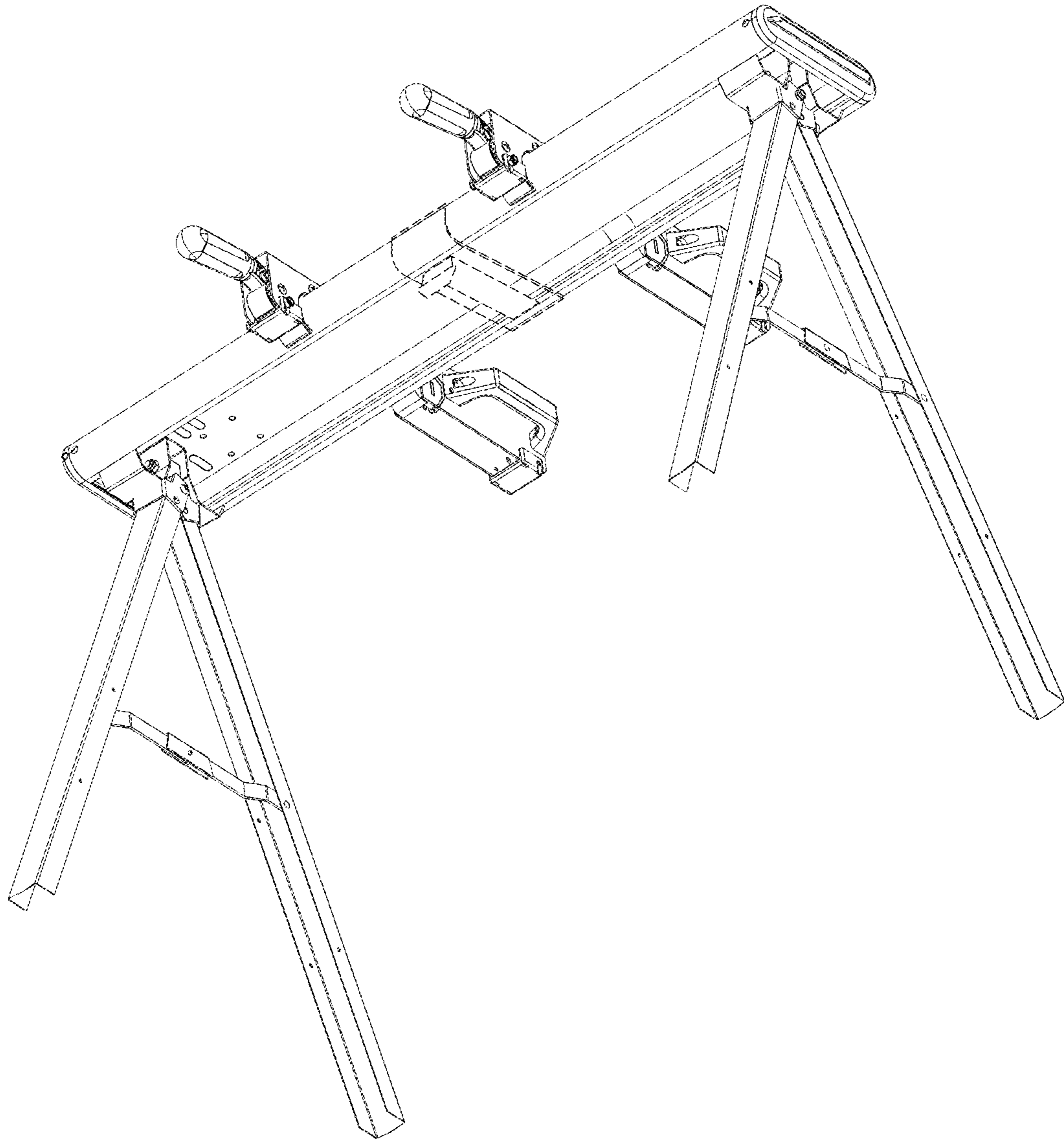


FIG. 1

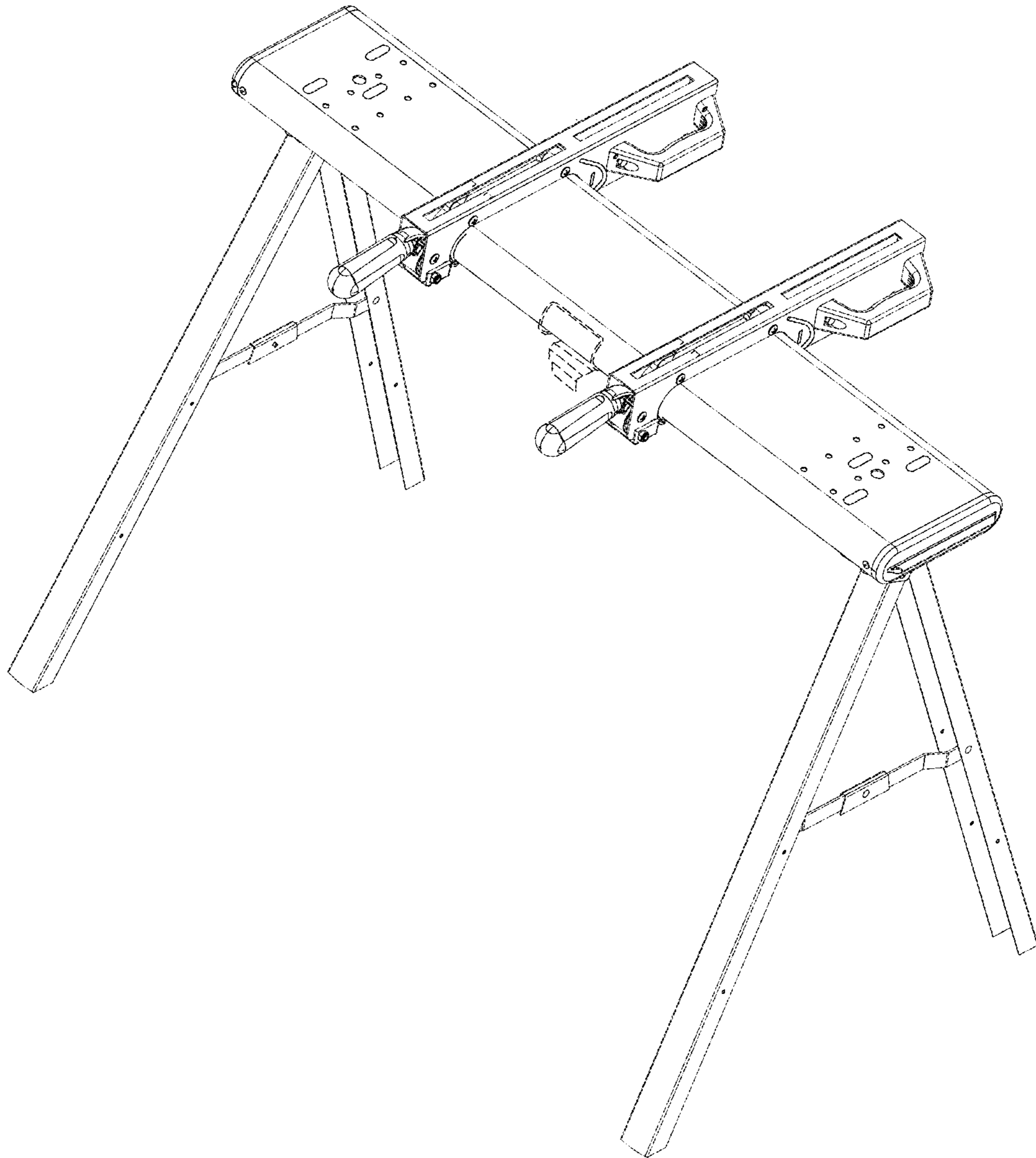


FIG. 2

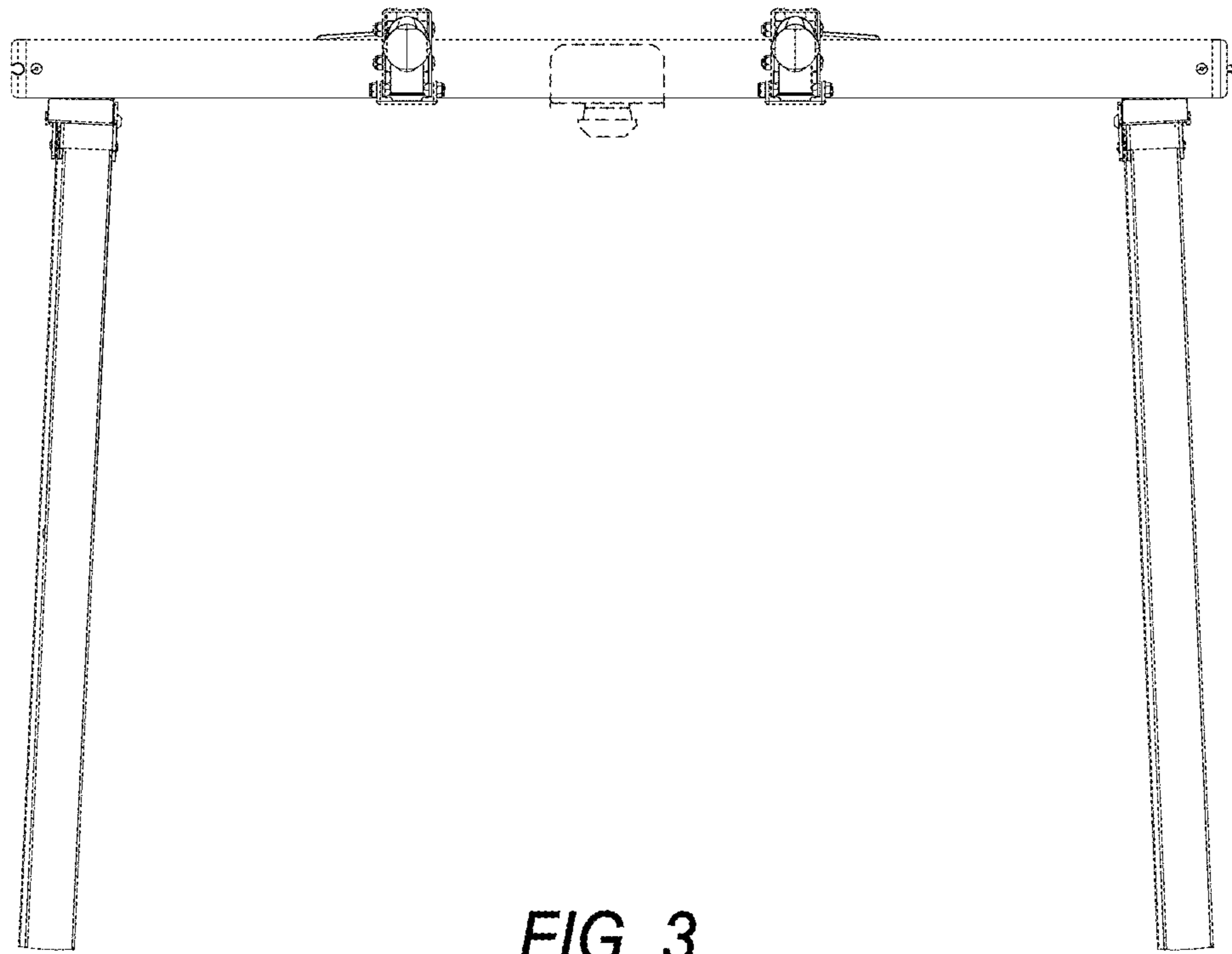


FIG. 3

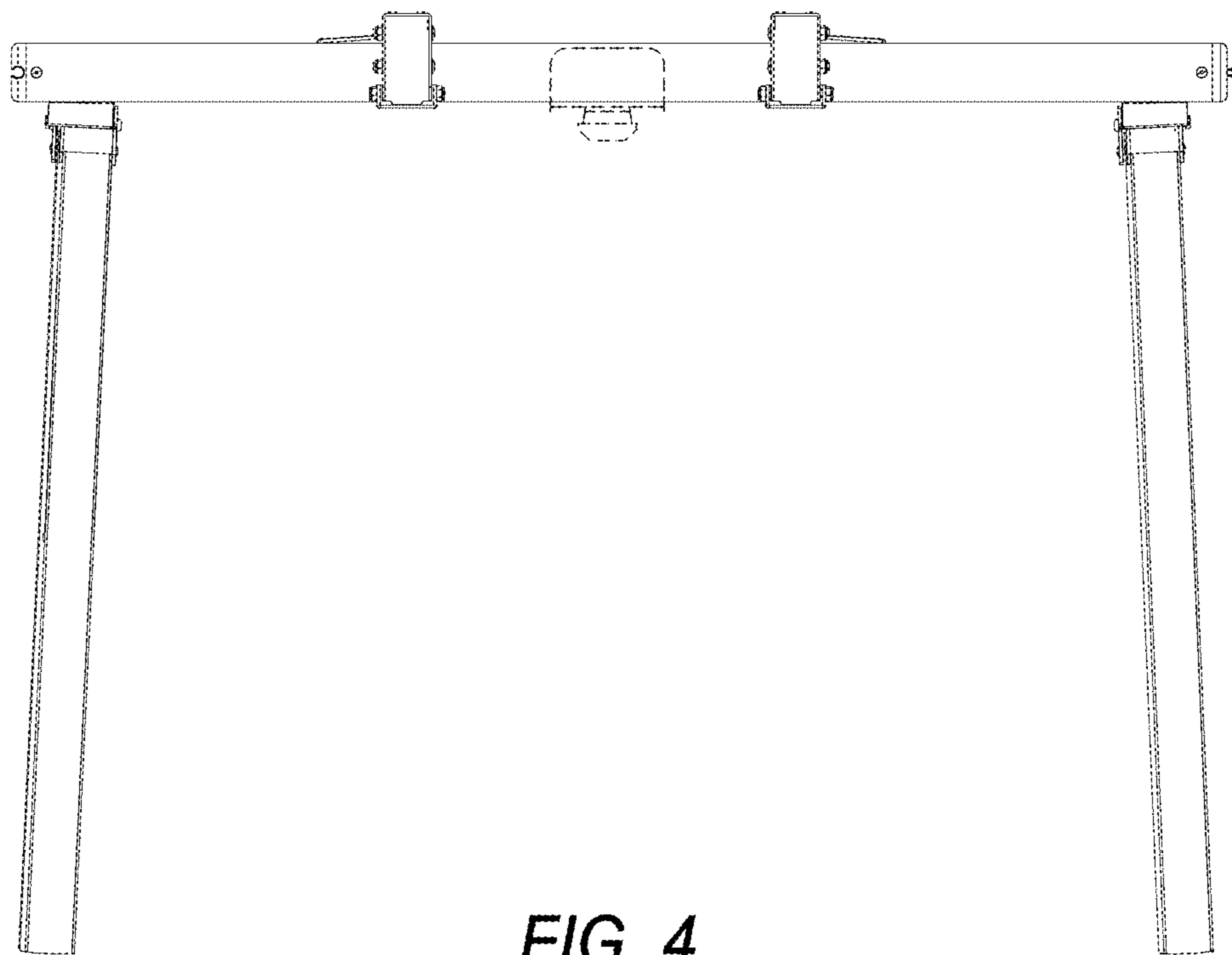
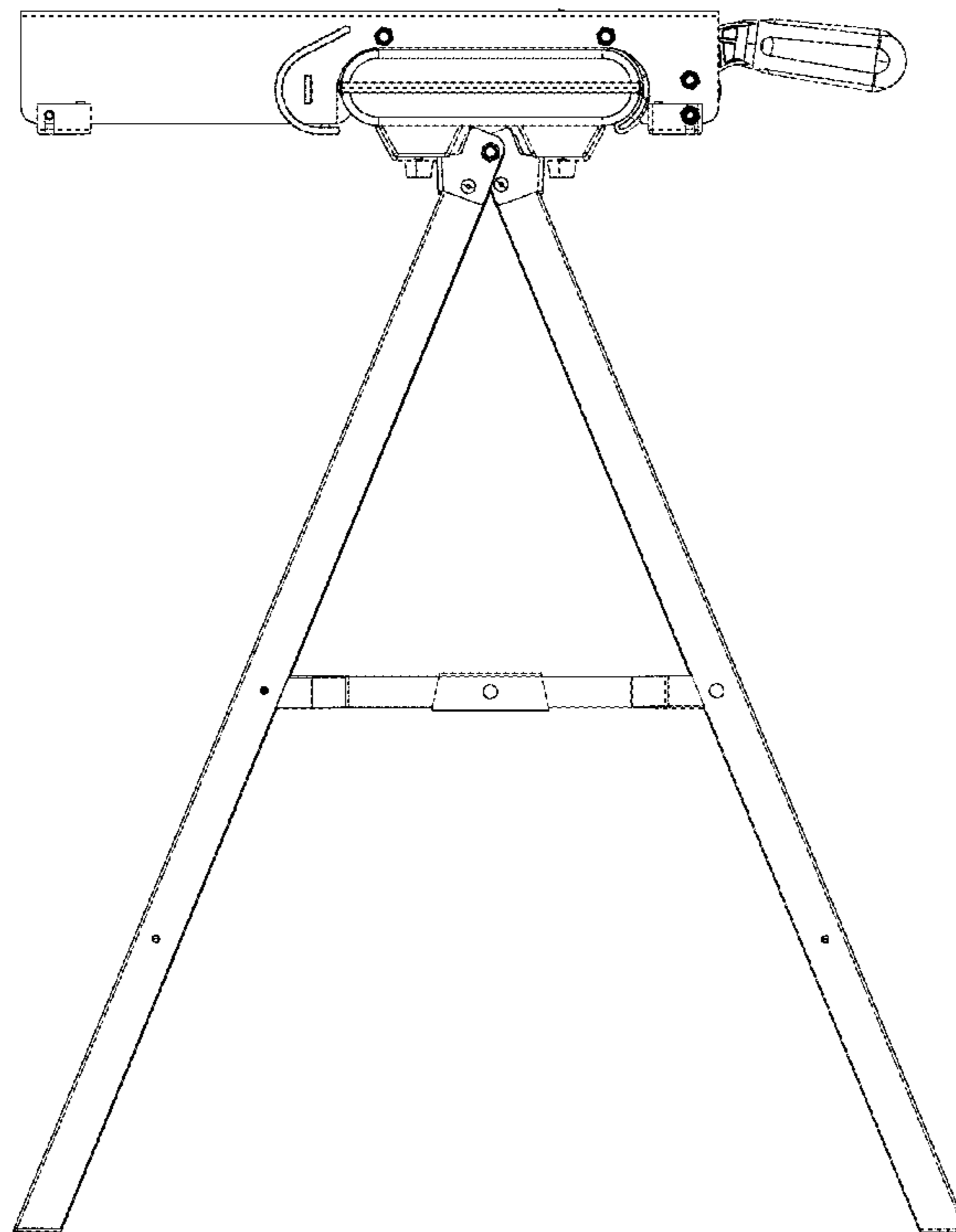
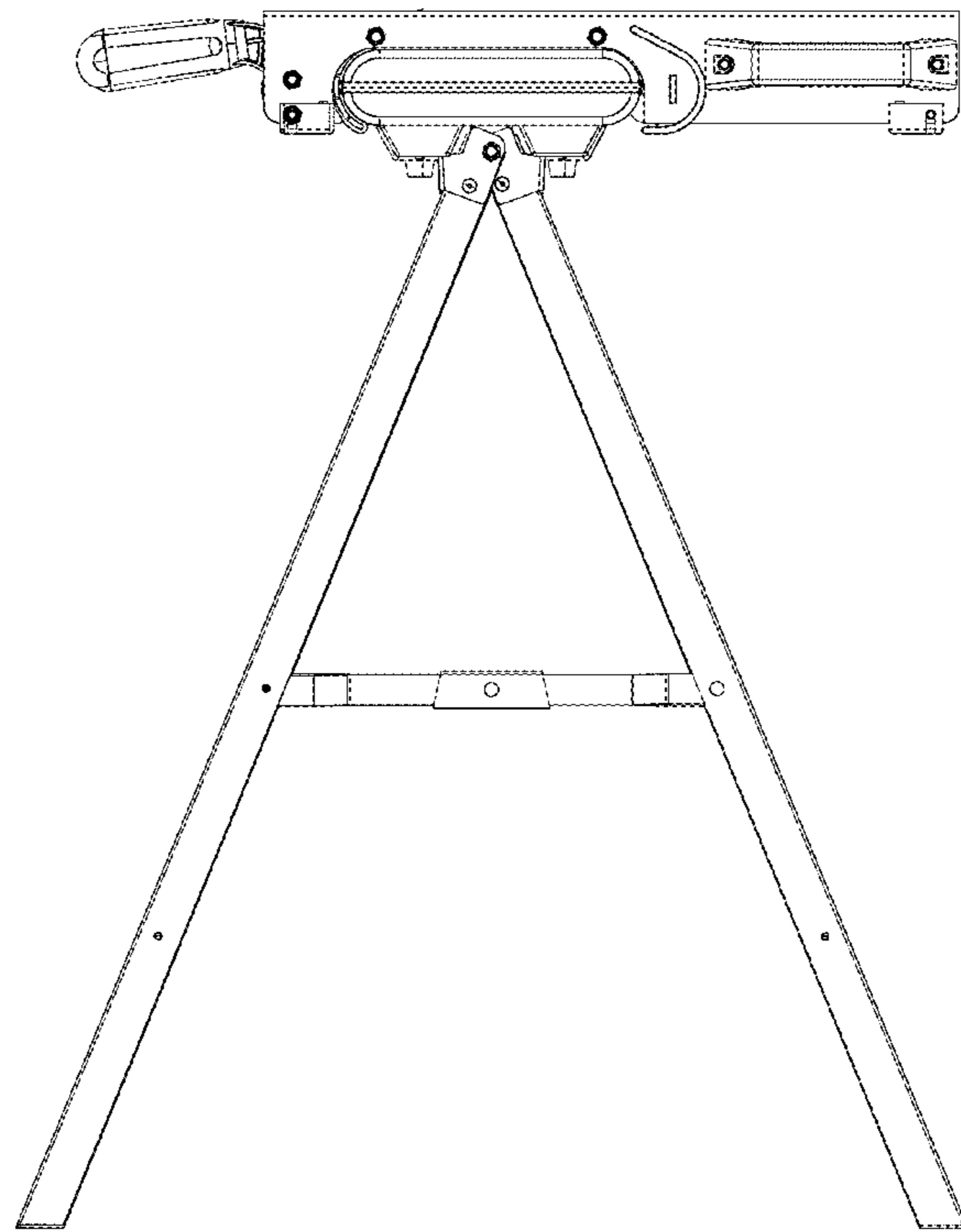


FIG. 4



**FIG. 5**



**FIG. 6**

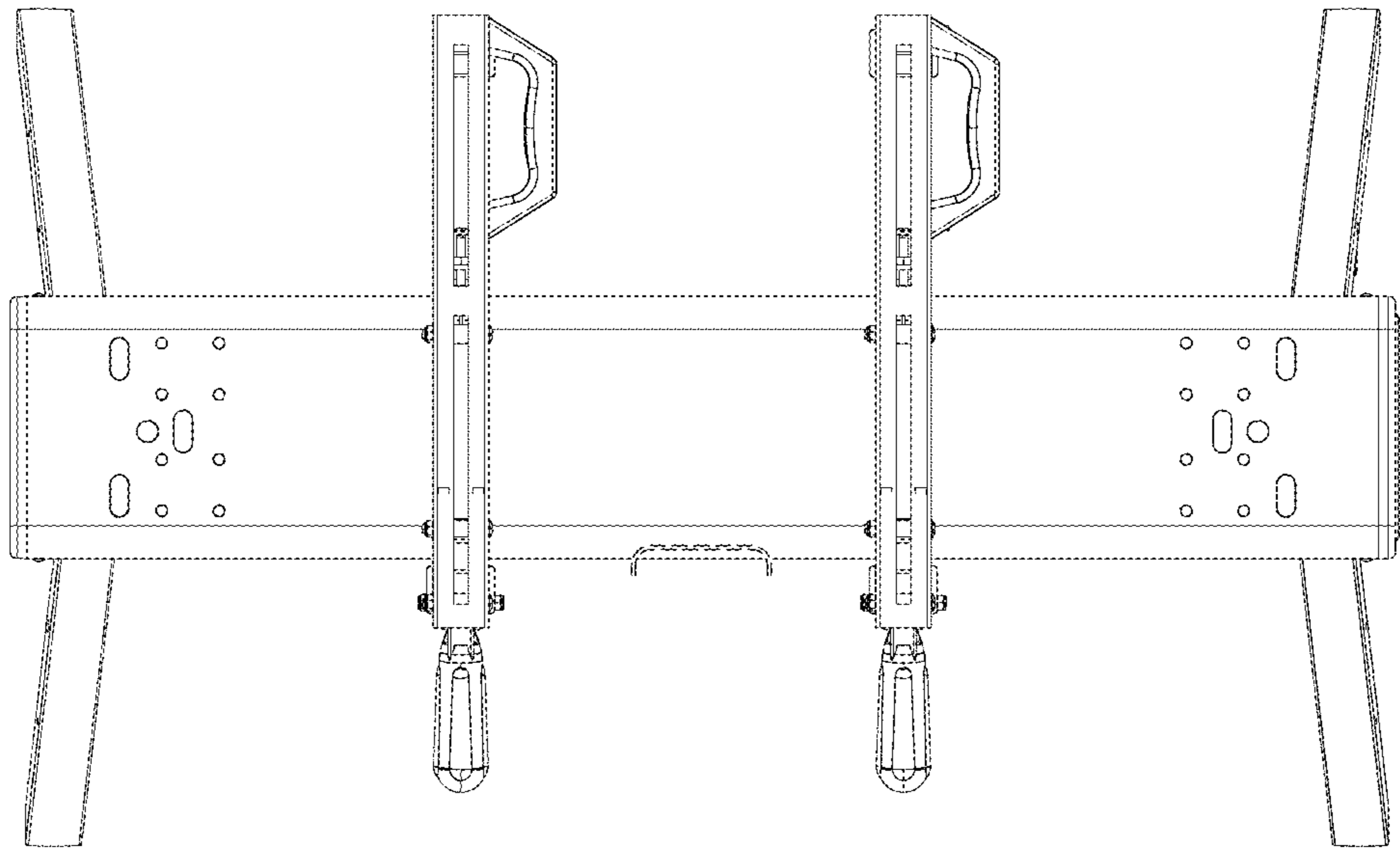


FIG. 7

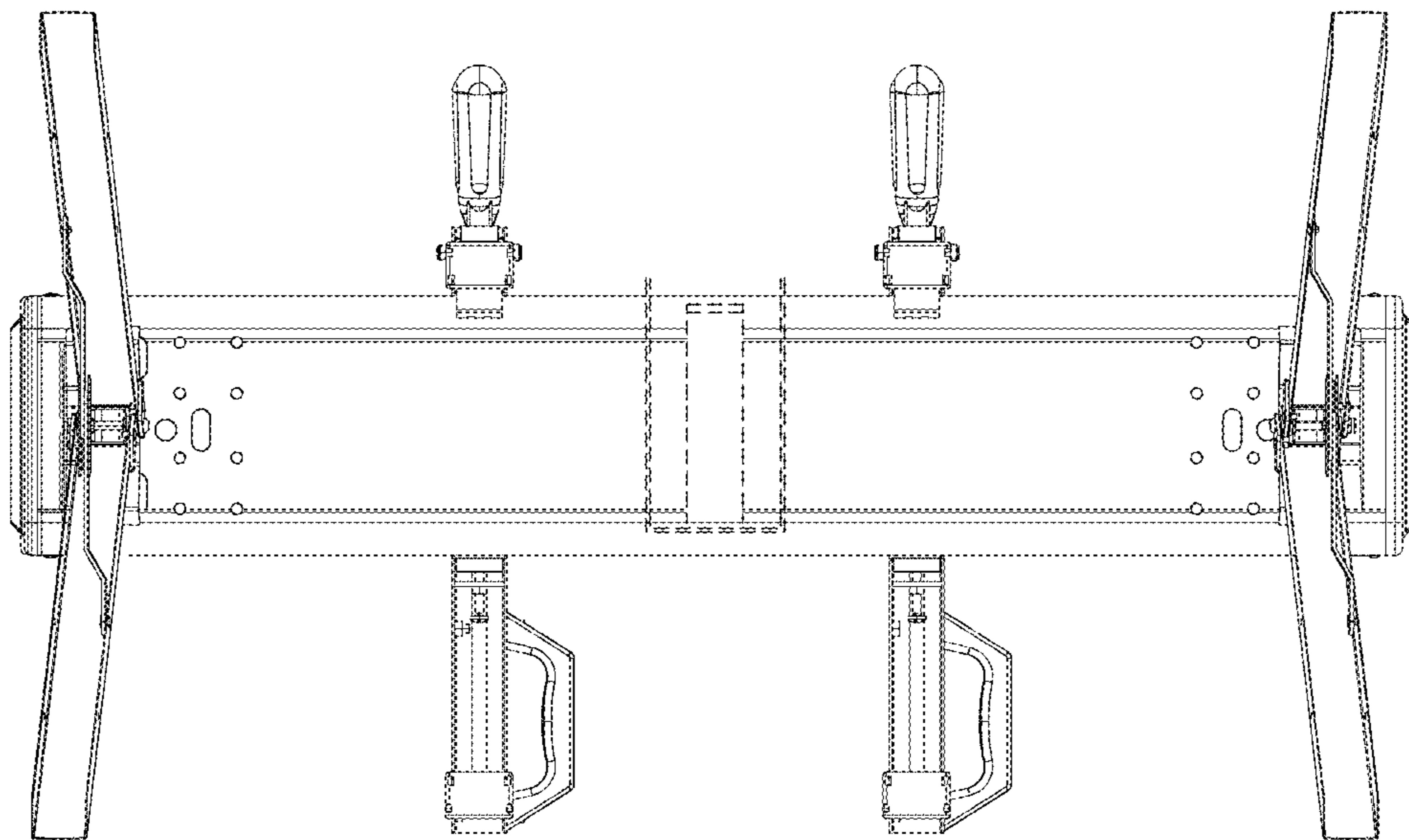


FIG. 8