



US00D882821S

(12) **United States Design Patent** (10) **Patent No.:** **US D882,821 S**
Matsuguma et al. (45) **Date of Patent:** **** *Apr. 28, 2020**

(54) **DOOR FOR STRESS TEST CHAMBER**
(71) Applicant: **Espec Corp.**, Osaka-shi, Osaka (JP)
(72) Inventors: **Osamu Matsuguma**, Osaka (JP);
Yasushi Watanabe, Osaka (JP)
(73) Assignee: **ESPEC CORP.**, Osaka-Shi, Osaka (JP)
(*) Notice: This patent is subject to a terminal disclaimer.

D297,361 S * 8/1988 Yamamoto D24/232
D297,564 S * 9/1988 Yamamoto D24/232
D328,352 S * 7/1992 Futatsuka D18/53
6,360,621 B1 * 3/2002 Eldred G01M 99/002
73/865.6
D681,845 S * 5/2013 Matsuguma D24/232
D734,181 S * 7/2015 Matsuguma D10/52
2014/0150574 A1 * 6/2014 Matsuguma G01N 17/002
73/865.6
2015/0090053 A1 * 4/2015 Matsuguma G01N 17/002
73/865.6

(**) Term: **15 Years**
(21) Appl. No.: **29/639,353**
(22) Filed: **Mar. 6, 2018**

FOREIGN PATENT DOCUMENTS

JP D1007442 S 4/1998
JP D1007442-1 S 6/1999

* cited by examiner

Primary Examiner — Anhdao Doan

(30) **Foreign Application Priority Data**
Sep. 7, 2017 (JP) 2017-019392
(51) **LOC (12) Cl.** **24-01**
(52) **U.S. Cl.**
USPC **D24/232; D10/83**
(58) **Field of Classification Search**
USPC D24/107, 163, 186, 216, 217, 224, 231,
D24/232, 164; D10/52, 53, 83–85
CPC A61G 11/00; A61G 11/002; A61G 11/005;
A61G 11/009; A01N 1/0273; A01N
1/0247; A01N 1/0268; A01N 1/02; A61M
16/0009; A61M 16/0063; G01N 17/0002
See application file for complete search history.

(74) *Attorney, Agent, or Firm* — Birch, Stewart, Kolasch
& Birch, LLP

(57) **CLAIM**

The ornamental design for a door for stress test chamber, as shown and described.

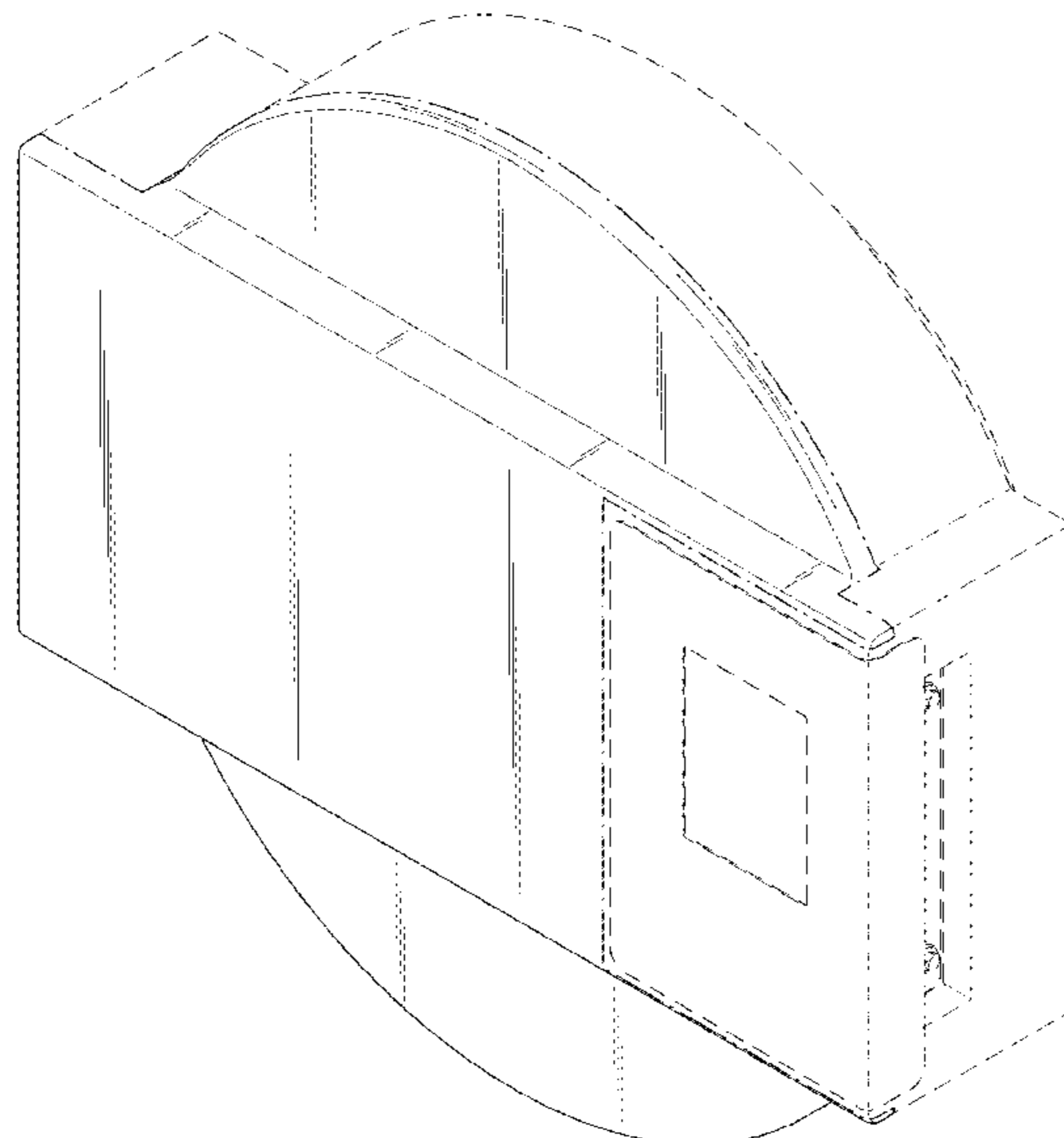
DESCRIPTION

FIG. 1 is a first perspective view of a door for stress test chamber;
FIG. 2 is a second perspective view thereof;
FIG. 3 is a front view thereof;
FIG. 4 is a left side view thereof;
FIG. 5 is a right side view thereof;
FIG. 6 is a top view thereof; and,
FIG. 7 is a bottom view thereof.

The broken lines depict portions of the door for stress test chamber in which the design is embodied that are not considered part of the claimed design.
The dash-dot-dash lines represent the boundary of the claim and form no part of the claimed design.

(56) **References Cited**
U.S. PATENT DOCUMENTS
D202,486 S * 10/1965 Salvia D24/217
D234,640 S * 3/1975 Zagara D24/217
D247,308 S * 2/1978 Truette D24/217
D264,123 S * 4/1982 Brendgord D24/217
4,592,896 A * 6/1986 Runnells A61L 2/07
236/92 C

1 Claim, 6 Drawing Sheets



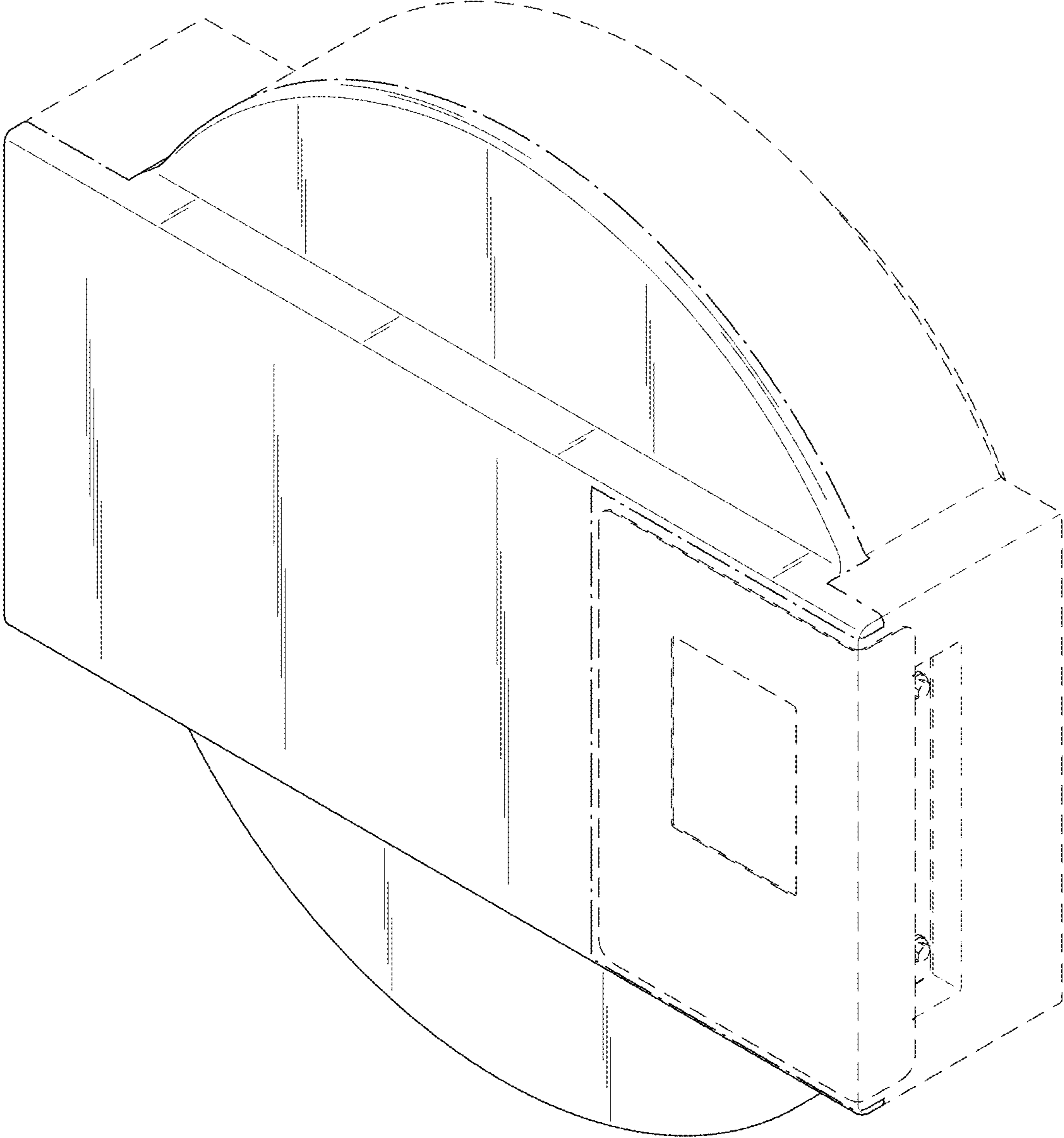


FIG.1

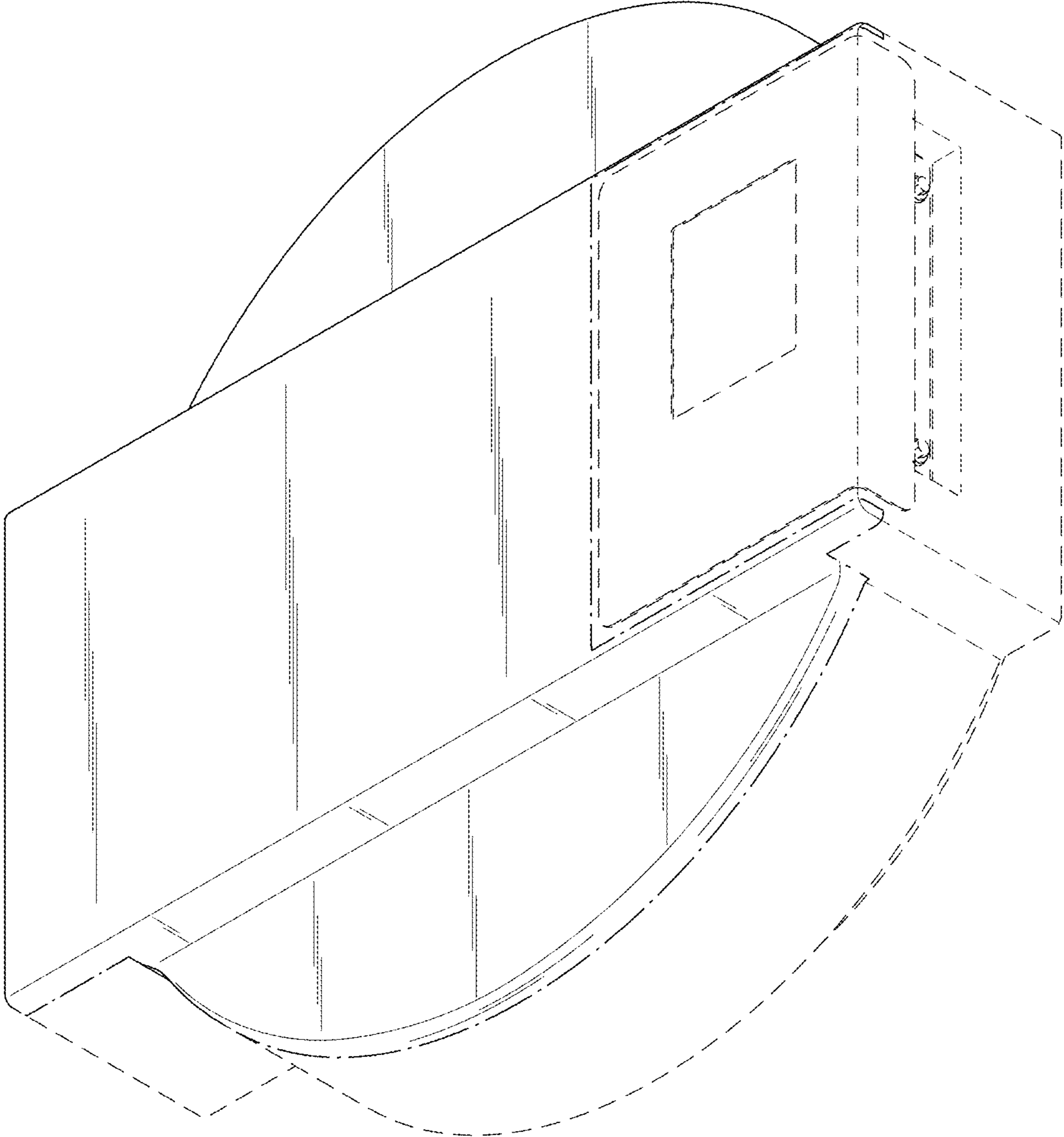


FIG.2

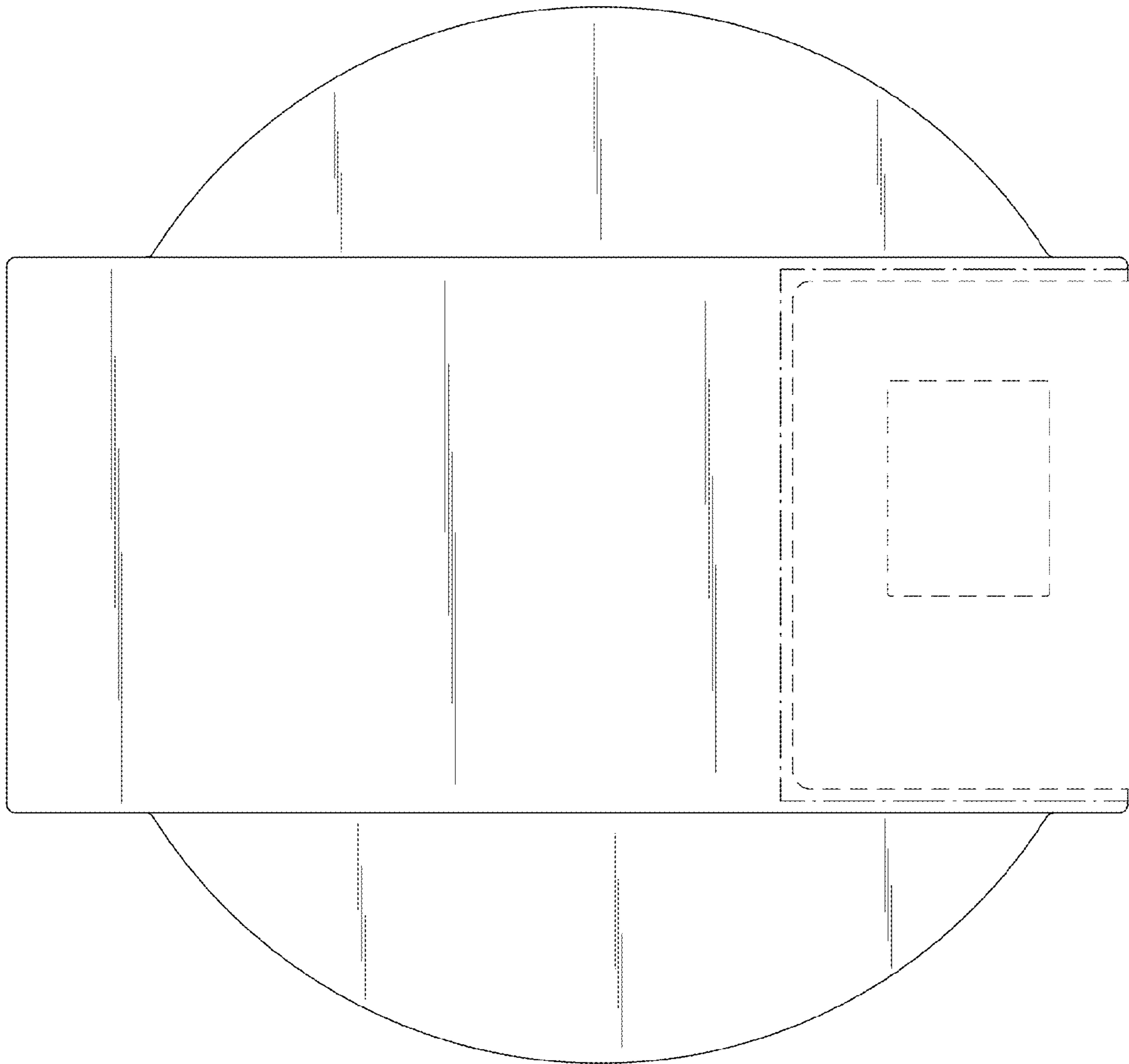


FIG.3

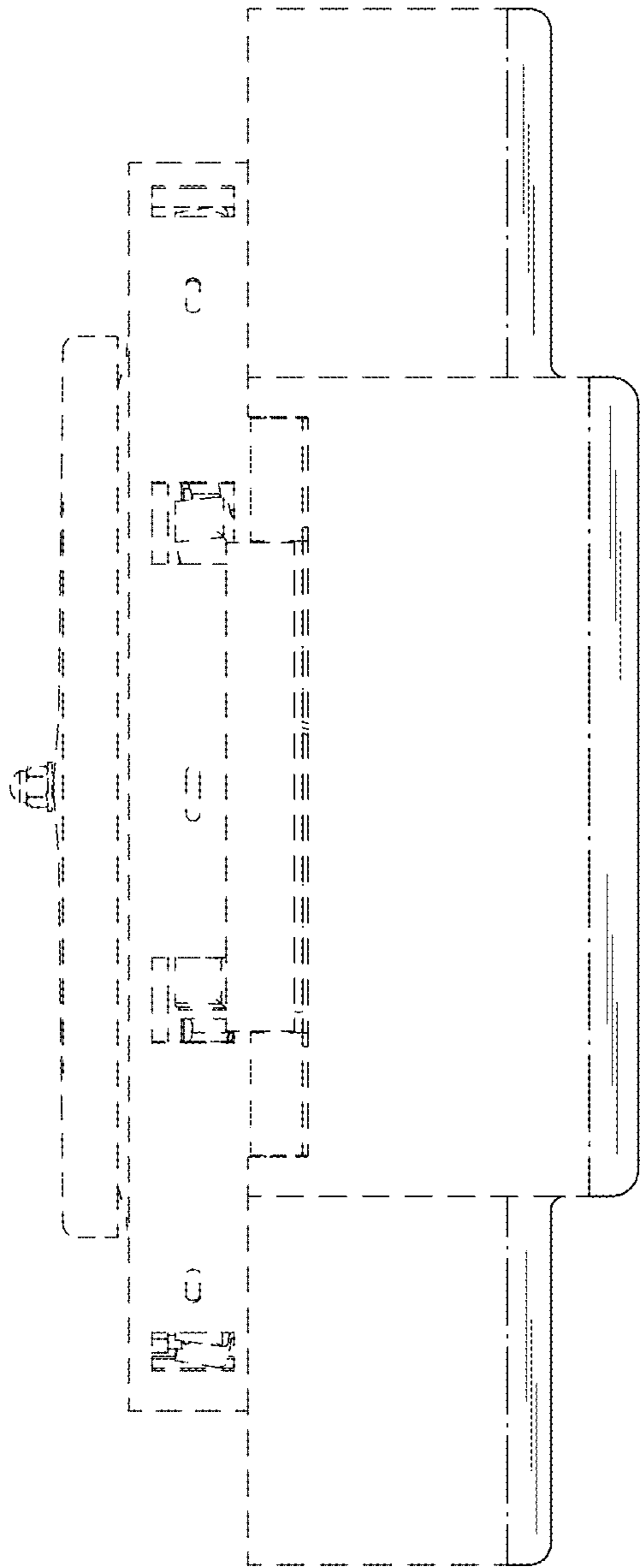


FIG.4

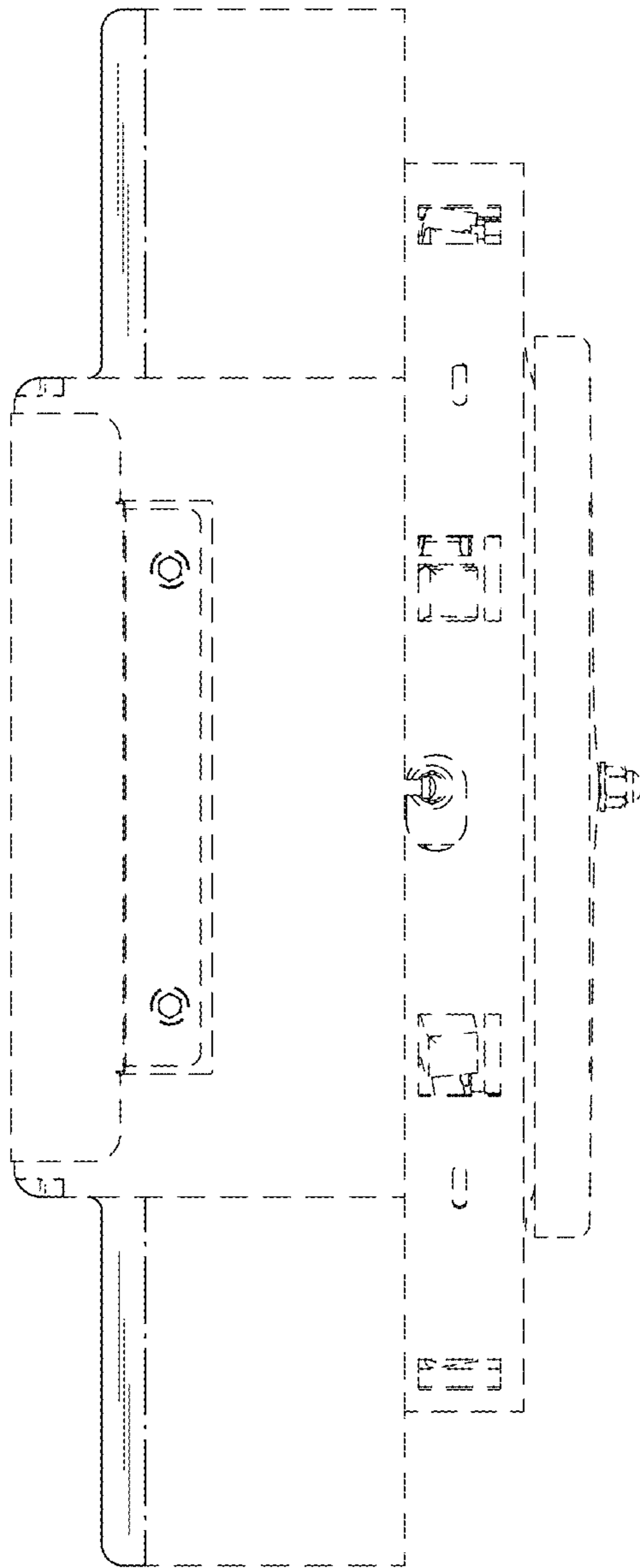


FIG.5

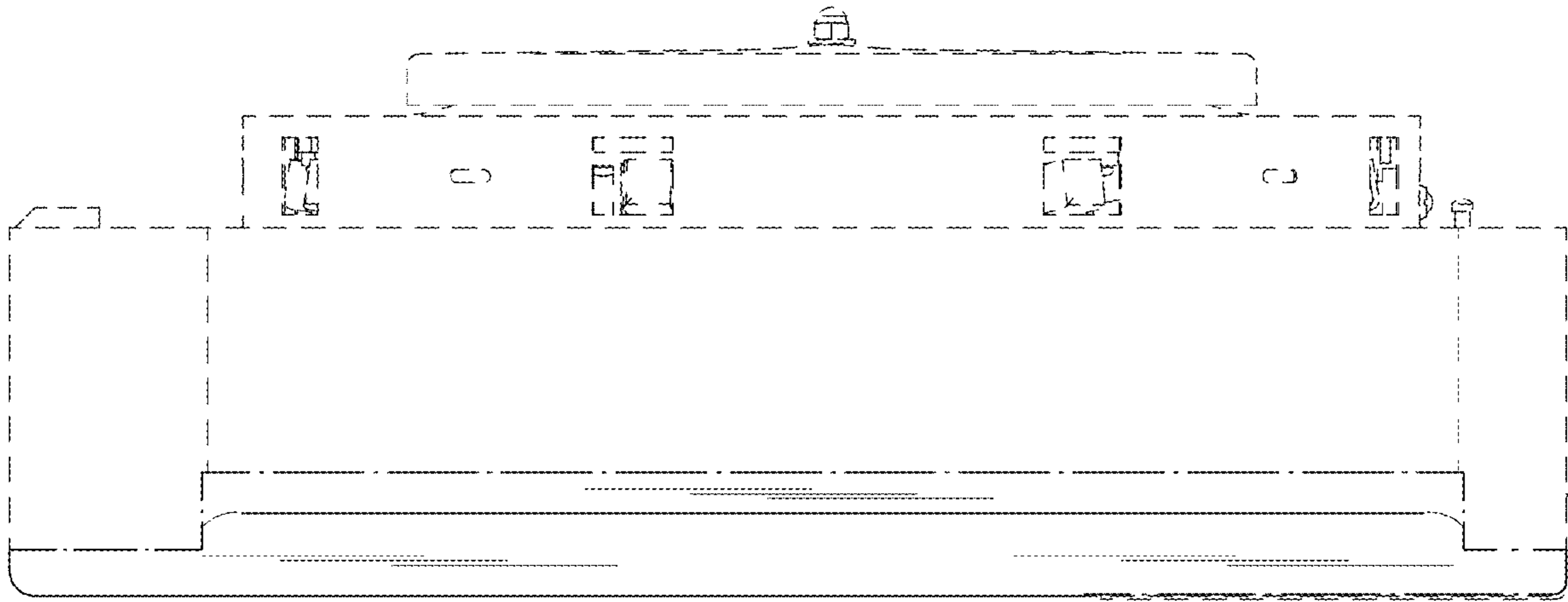


FIG. 6

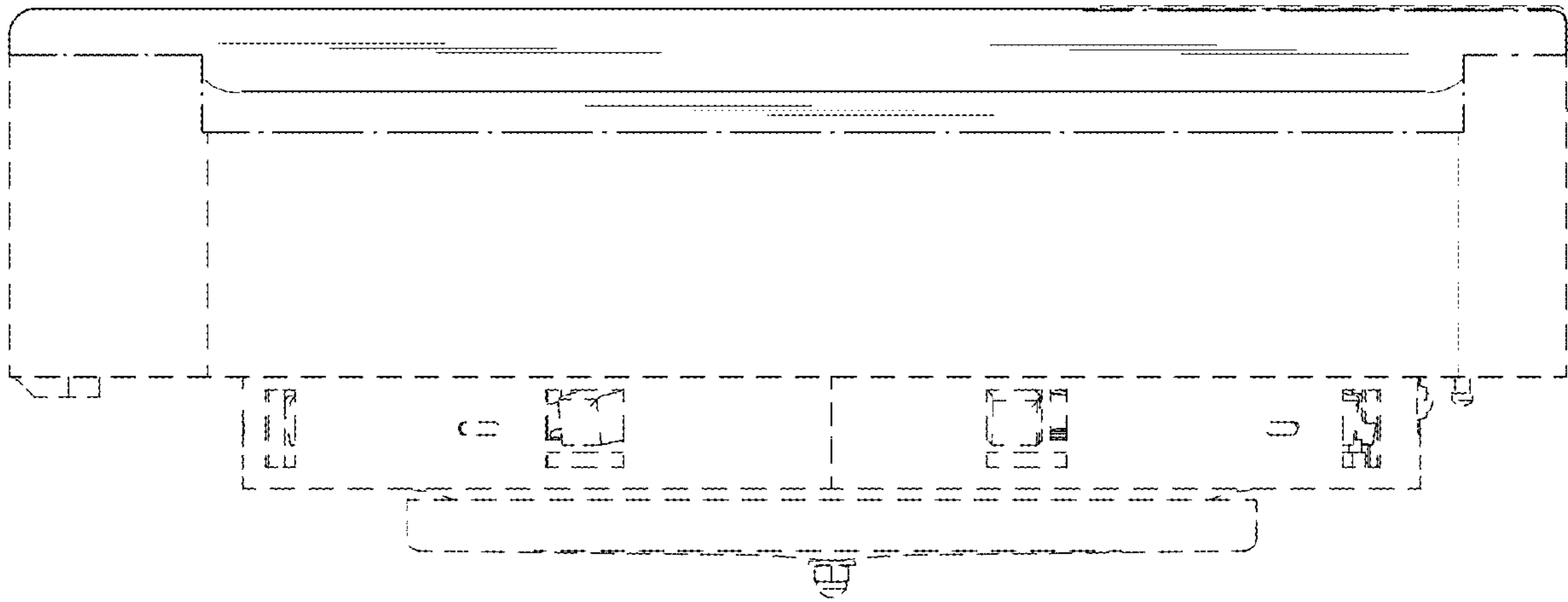


FIG. 7