



US00D882820S

(12) **United States Design Patent**
Oghabian et al.

(10) **Patent No.:** **US D882,820 S**
(45) **Date of Patent:** **** Apr. 28, 2020**

(54) **MAGNETIC SEPARATION DEVICE**

7,740,759 B2 * 6/2010 Su B03C 1/288
210/222

(71) Applicant: **Teb O Sanat Rahyab Corporation,**
Tehran (IR)

7,829,026 B2 * 11/2010 Su G01N 35/0098
422/50

(72) Inventors: **Mohammad Ali Oghabian,** Tehran (IR);
Hamid Reza Madaah Hosseini, Tehran
(IR); **Hamid Delavari Hassan Kiadeh,**
Tehran (IR); **Rasoul Irajirad,** Tehran
(IR)

D637,709 S * 5/2011 Brede D24/107
D655,806 S * 3/2012 Brede D24/107
D662,603 S * 6/2012 Greenizen D24/227
D679,831 S * 4/2013 Greenizen D24/227
D683,046 S * 5/2013 Yin D24/230
D743,533 S * 11/2015 Brede D24/107
2011/0031168 A1 * 2/2011 Ellis B03C 1/288
209/223.1

(**) Term: **15 Years**

* cited by examiner

(21) Appl. No.: **29/615,331**

Primary Examiner — Anhdao Doan

(22) Filed: **Aug. 28, 2017**

(51) **LOC (12) Cl.** **24-01**

(57) **CLAIM**

(52) **U.S. Cl.**

We claim the ornamental design for a magnetic separation device, as shown and described.

USPC **D24/232**

(58) **Field of Classification Search**

DESCRIPTION

USPC D24/107, 186, 216, 227, 229, 230, 231,
D24/232; D10/81

CPC ... G01N 35/0098; B01L 9/06; B03C 2201/18;
B03C 1/228; Y10S 435/809; Y10S
436/809

See application file for complete search history.

FIG. 1 is a top, front, and right-side perspective view of a magnetic separation device showing our new design; FIG. 2 is a front elevational view thereof; FIG. 3 is a left-side elevational view thereof, the right side being a mirror image; and, FIG. 4 is a top plan view thereof.

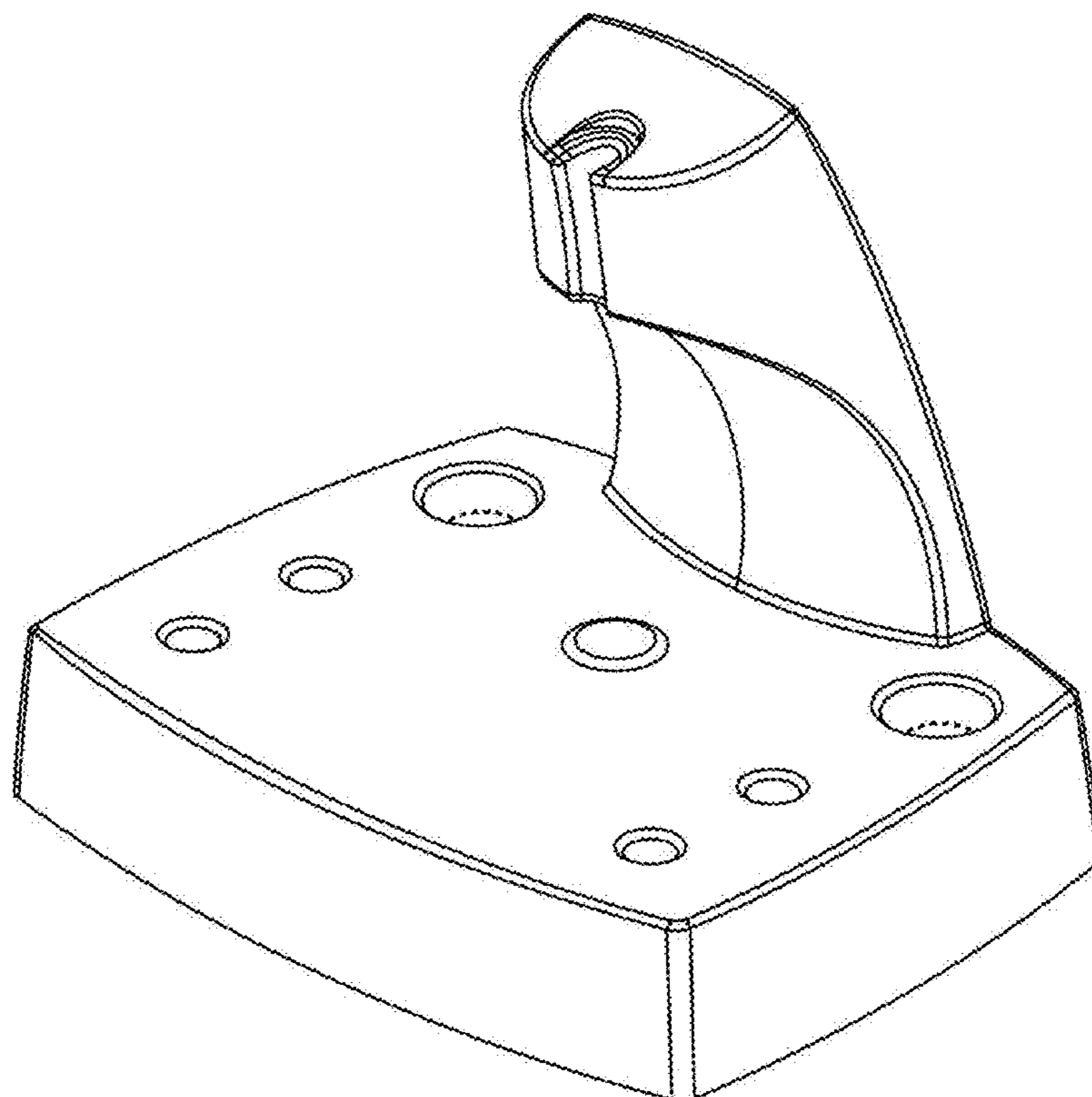
The broken lines of FIGS. 1-4 illustrate portions of the magnetic separation device that form no part of the claimed design.

(56) **References Cited**

U.S. PATENT DOCUMENTS

6,193,892 B1 * 2/2001 Krueger B01L 9/06
209/223.1
D595,423 S * 6/2009 Johansson D24/229

1 Claim, 4 Drawing Sheets



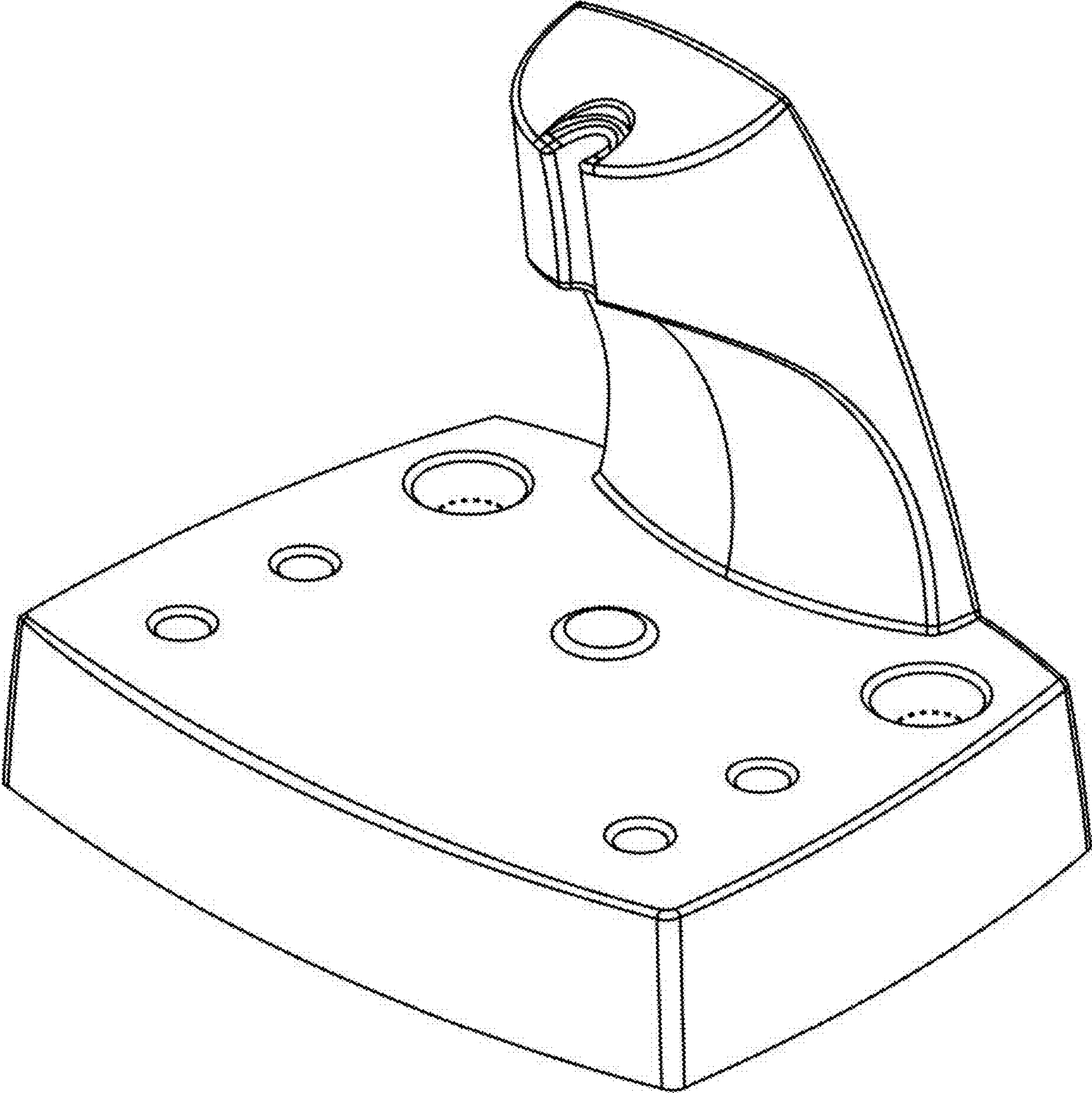


FIG. 1

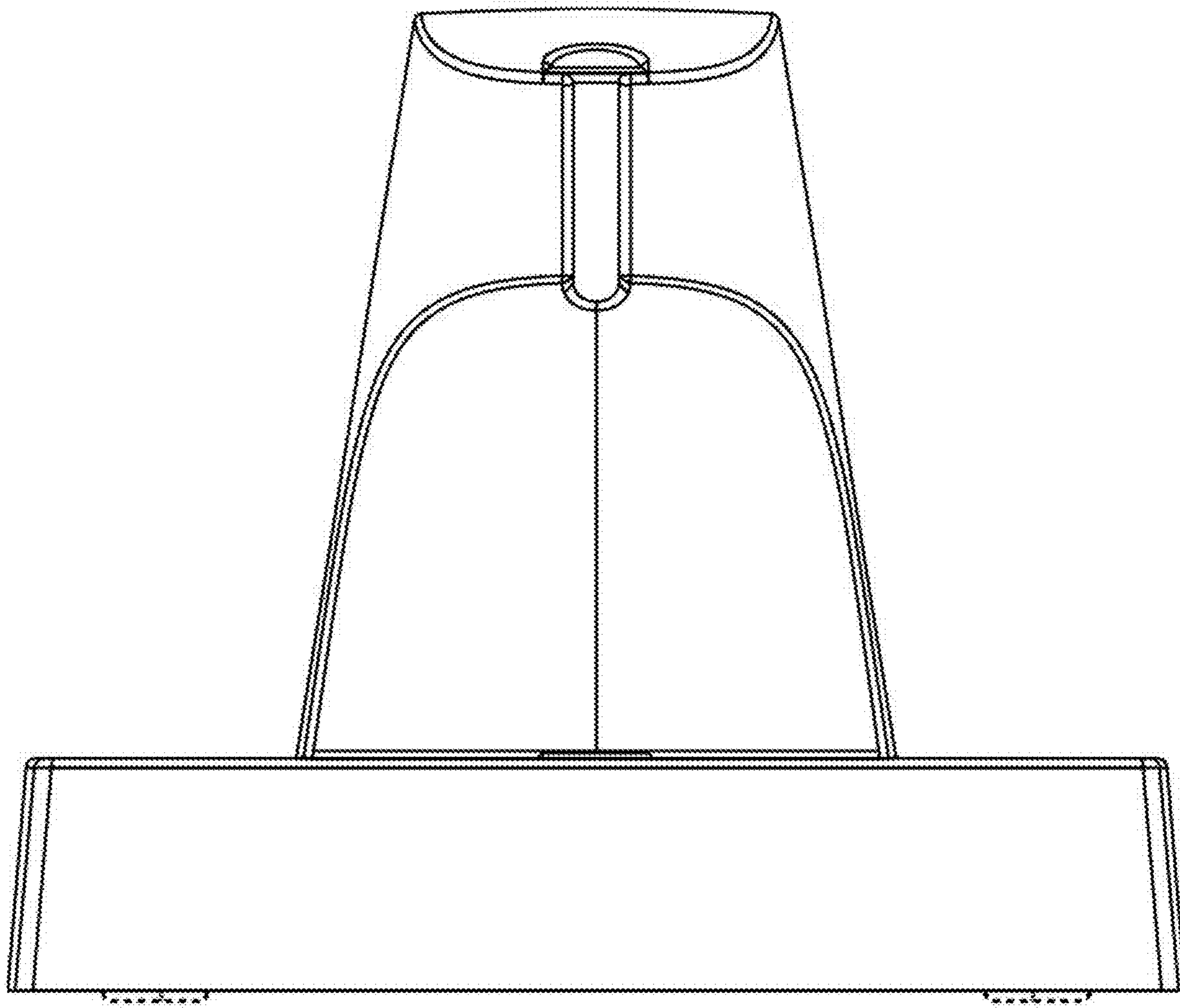


FIG. 2

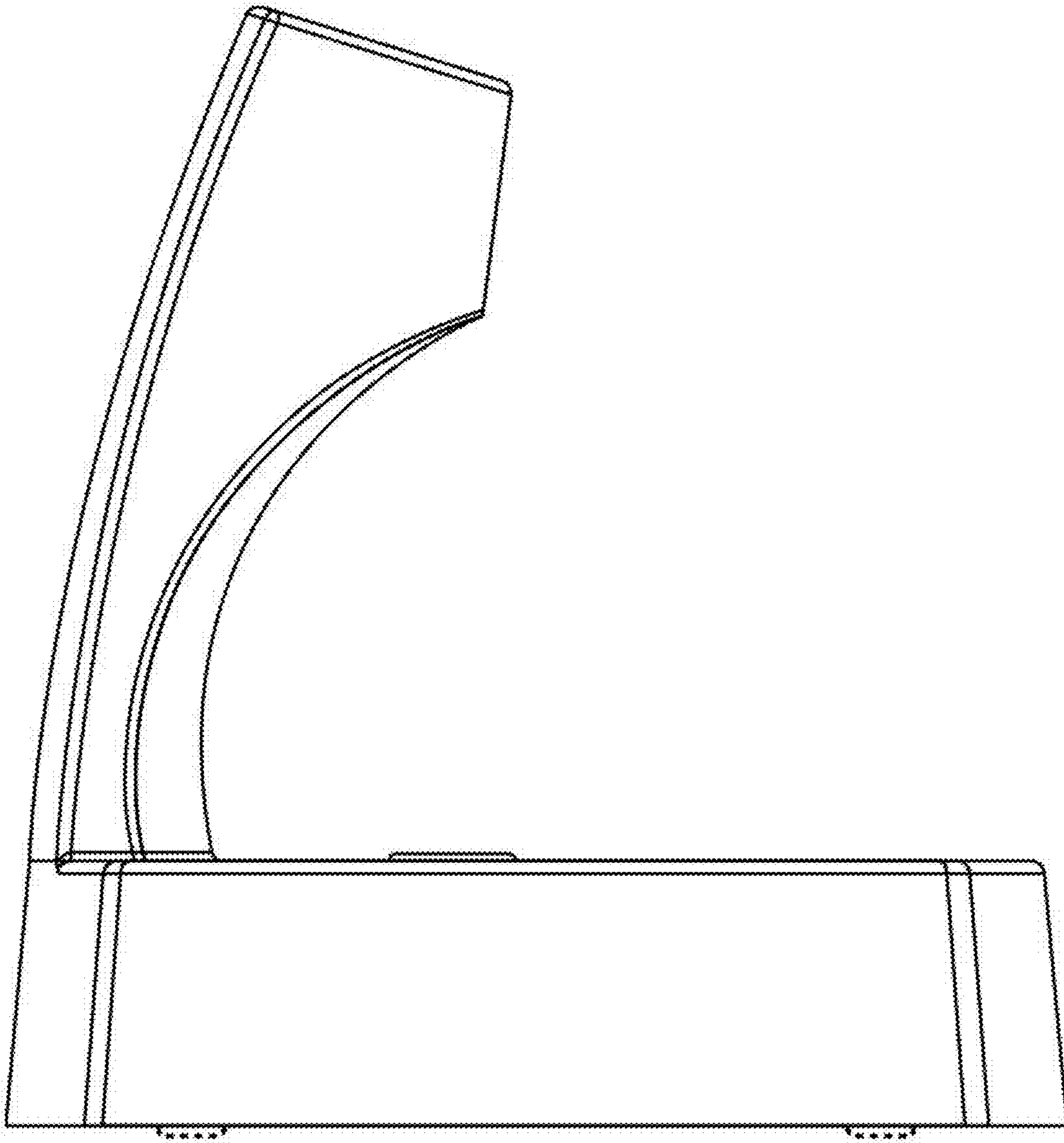


FIG. 3

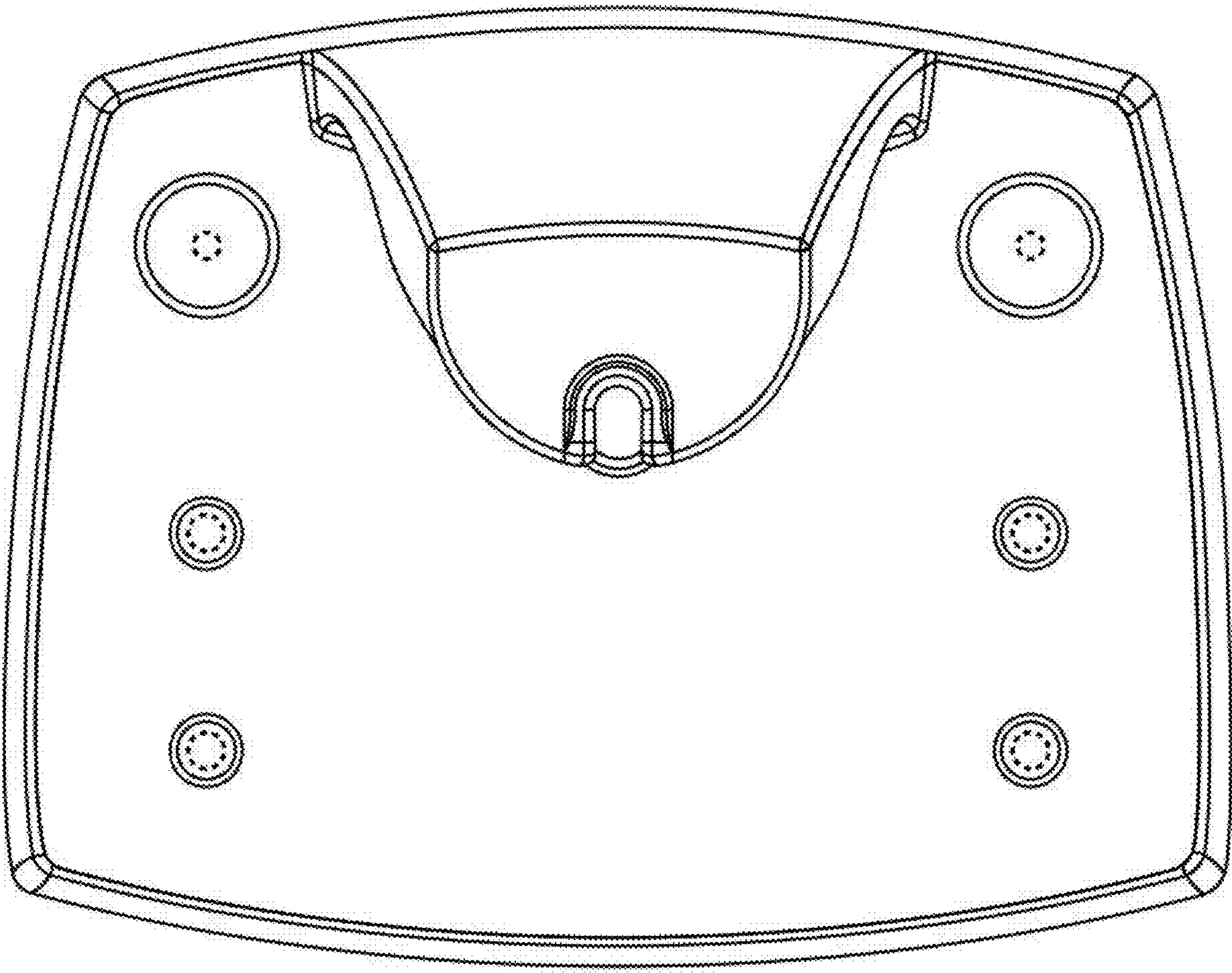


FIG. 4