



US00D882819S

(12) **United States Design Patent**  
**Jones et al.**

(10) **Patent No.:** **US D882,819 S**

(45) **Date of Patent:** **\*\* Apr. 28, 2020**

(54) **QUICK CONNECT PLATFORM FOR  
RETAINING MEDICAL DEVICES**

(71) Applicant: **Modo, Inc.**, Beaverton, OR (US)

(72) Inventors: **Matthew Jones**, Portland, OR (US);  
**Fabian Schroeder**, Portland, OR (US);  
**Tanner Grayson**, Beaverton, OR (US);  
**Dan Paulson**, Portland, OR (US); **Ezra  
Perkins**, Portland, OR (US)

(73) Assignee: **Modo, Inc.**, Beaverton, OR (US)

(\*\*) Term: **15 Years**

(21) Appl. No.: **29/641,723**

(22) Filed: **Mar. 23, 2018**

(51) **LOC (12) Cl.** ..... **24-99**

(52) **U.S. Cl.**  
USPC ..... **D24/231**

(58) **Field of Classification Search**  
USPC ..... D24/231, 185, 216, 227, 164; D13/108;  
D6/406.2; D34/27, 14  
CPC ..... A47B 88/483; A61B 50/26  
See application file for complete search history.

(56) **References Cited**

U.S. PATENT DOCUMENTS

D337,822 S *	7/1993	Janke	.....	D24/185
D434,142 S *	11/2000	Cheney, II	.....	D13/108
D464,141 S *	10/2002	McMenamy	.....	D24/216
D615,724 S *	5/2010	Girard	.....	D24/185
8,074,815 B2 *	12/2011	Gerstner	.....	A61B 50/26 211/193
D652,931 S *	1/2012	Petteway	.....	D24/164
8,651,594 B2 *	2/2014	Jones	.....	A47B 88/483 312/286
D730,011 S *	5/2015	McRorie	.....	D34/14

D730,528 S *	5/2015	Yang	.....	D24/185
D733,891 S *	7/2015	Murray	.....	D24/185
D762,339 S *	7/2016	McRorie	.....	D34/27
D787,223 S *	5/2017	Lu	.....	D6/406.2
D787,701 S *	5/2017	Wilson	.....	D24/227
D802,149 S *	11/2017	Hacker	.....	D24/185
D808,533 S *	1/2018	Verguldi	.....	D24/185
D852,963 S *	7/2019	Shuart	.....	D24/185

\* cited by examiner

*Primary Examiner* — Rhea Shields

(74) *Attorney, Agent, or Firm* — Stoel Rives LLP; Robert R. Teel

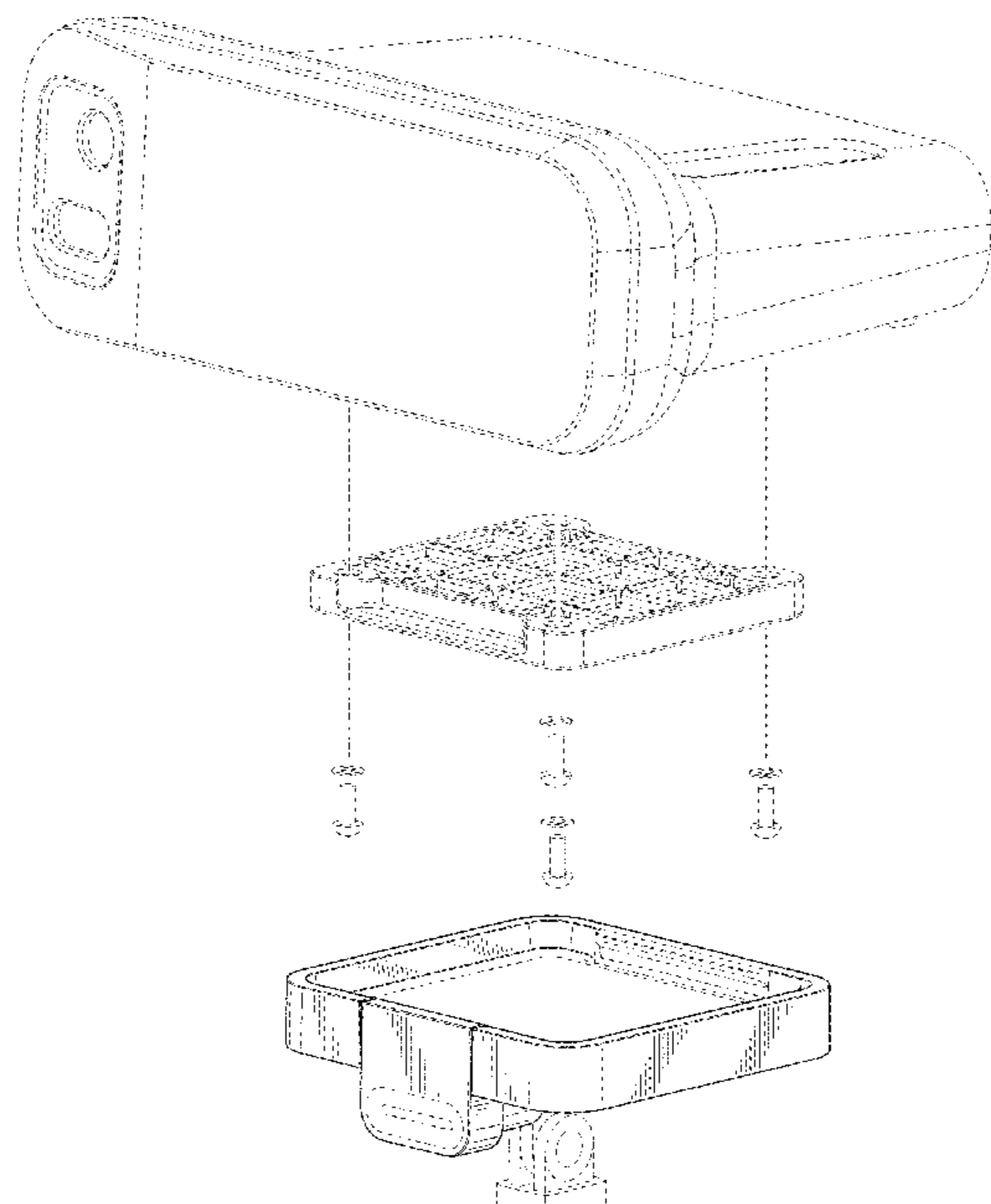
(57) **CLAIM**

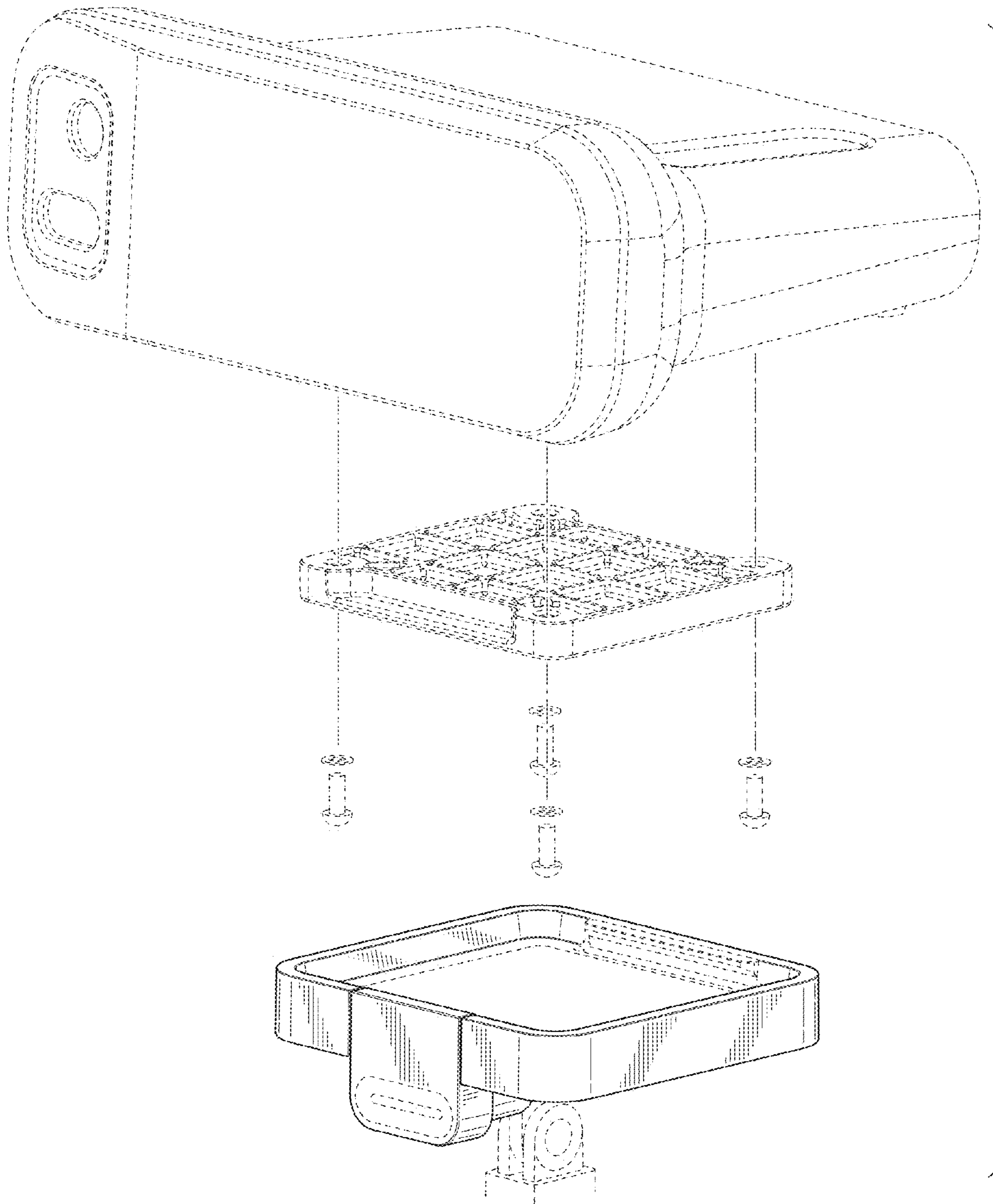
The ornamental design for a quick connect platform for retaining medical devices, substantially as shown and described.

**DESCRIPTION**

FIG. 1 is an exploded dimetric view of a quick connect platform for retaining medical devices shown mounted in an environment, according to our new design;  
FIG. 2 is a top isometric view, showing environment within;  
FIG. 3 is a front view thereof;  
FIG. 4 is a rear view thereof;  
FIG. 5 is a right side view, the left side view is a mirror image thereof;  
FIG. 6 is a bottom plan view thereof;  
FIG. 7 is a top plan view thereof;  
FIG. 8 is a top plan view with the environment removed;  
and,  
FIG. 9 is a top isometric view thereof.  
In the drawings, the broken lines are for the purpose of illustrating environment only and form no part of the claimed design.

**1 Claim, 4 Drawing Sheets**





*FIG. 1*

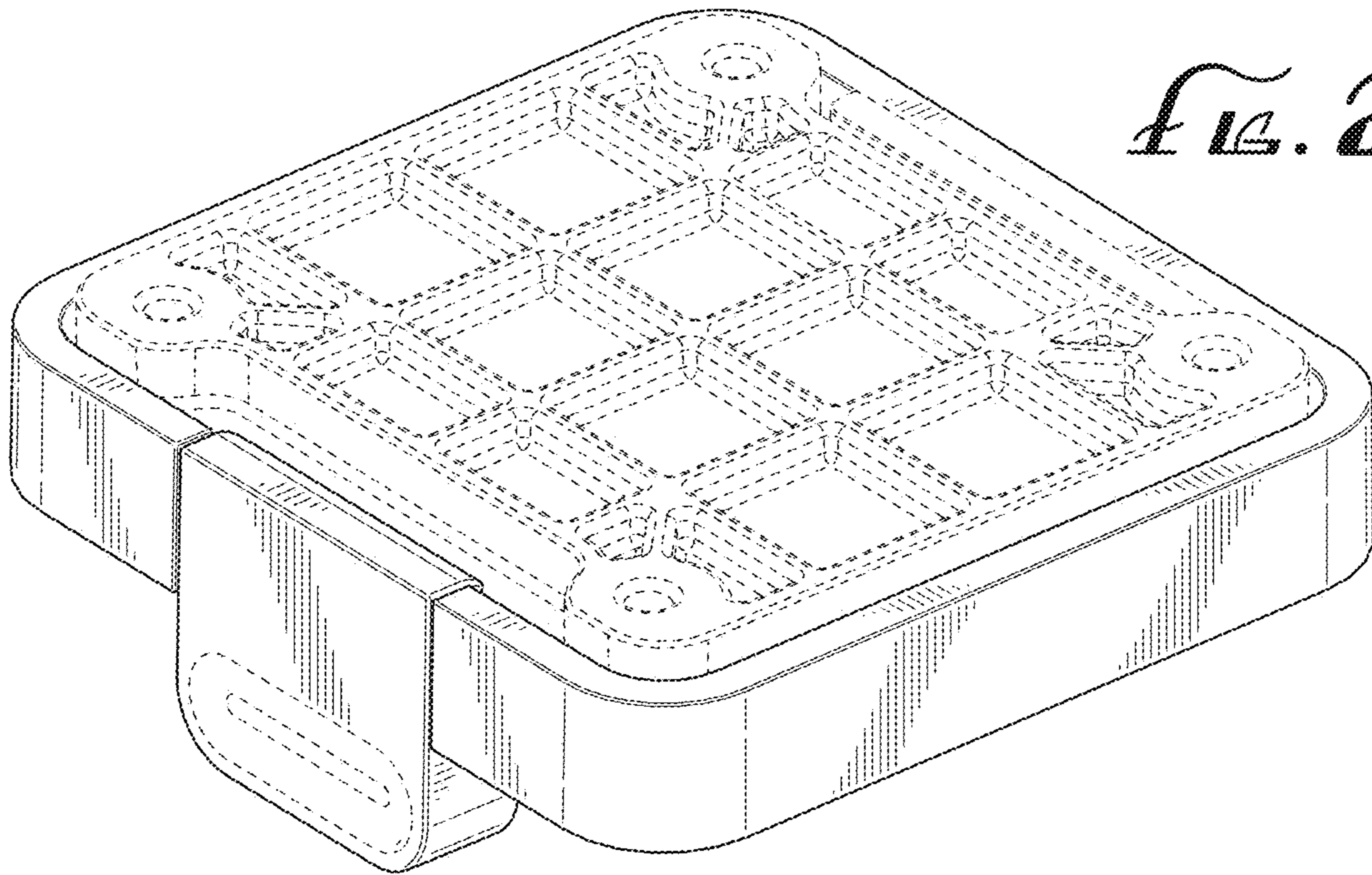


FIG. 2

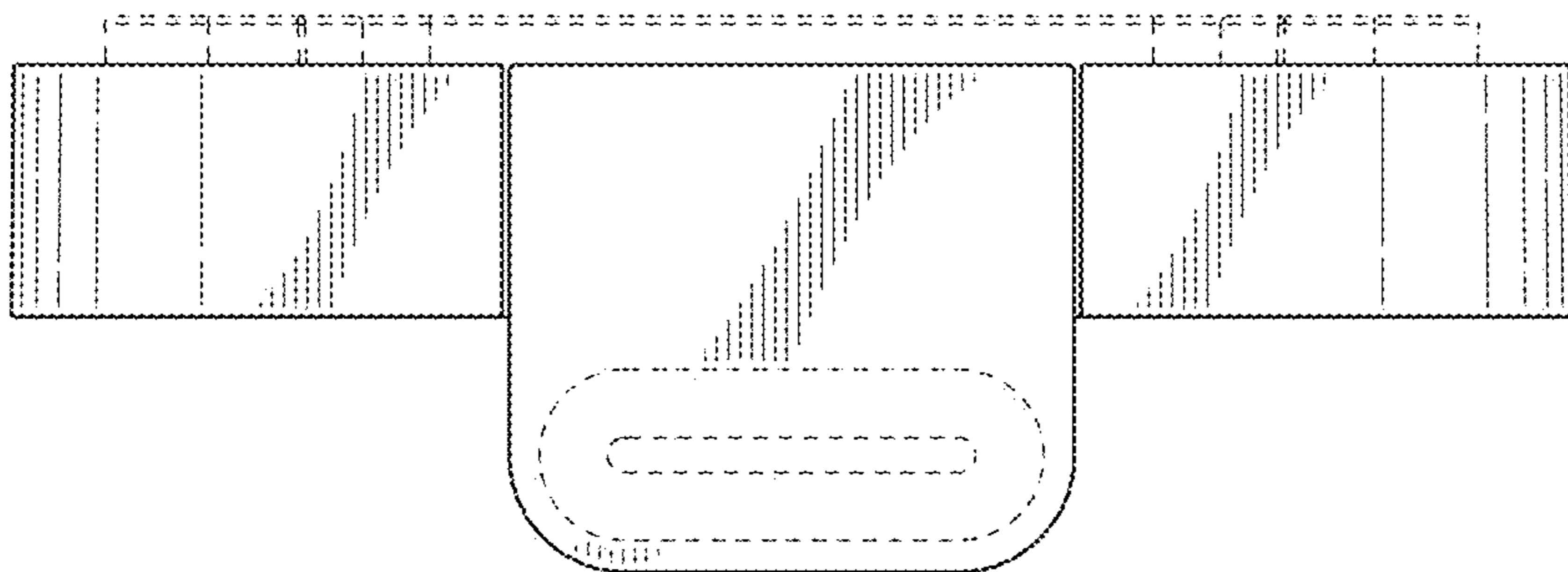


FIG. 3

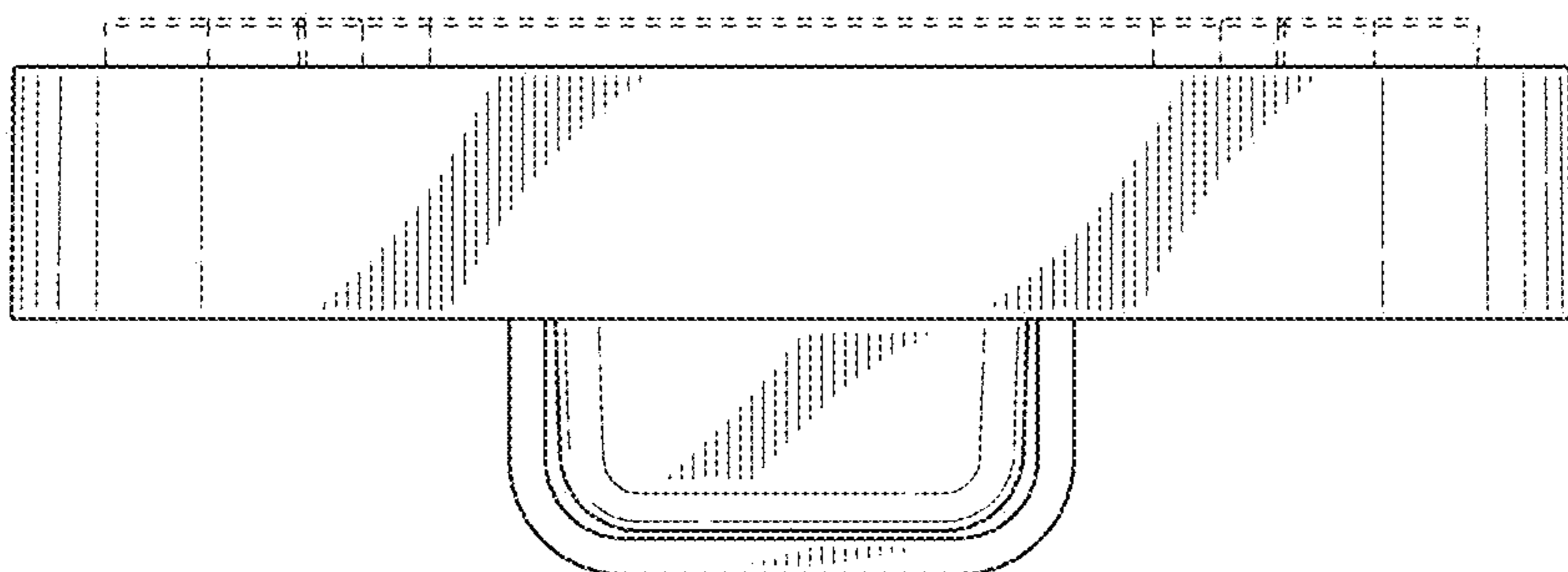


FIG. 4

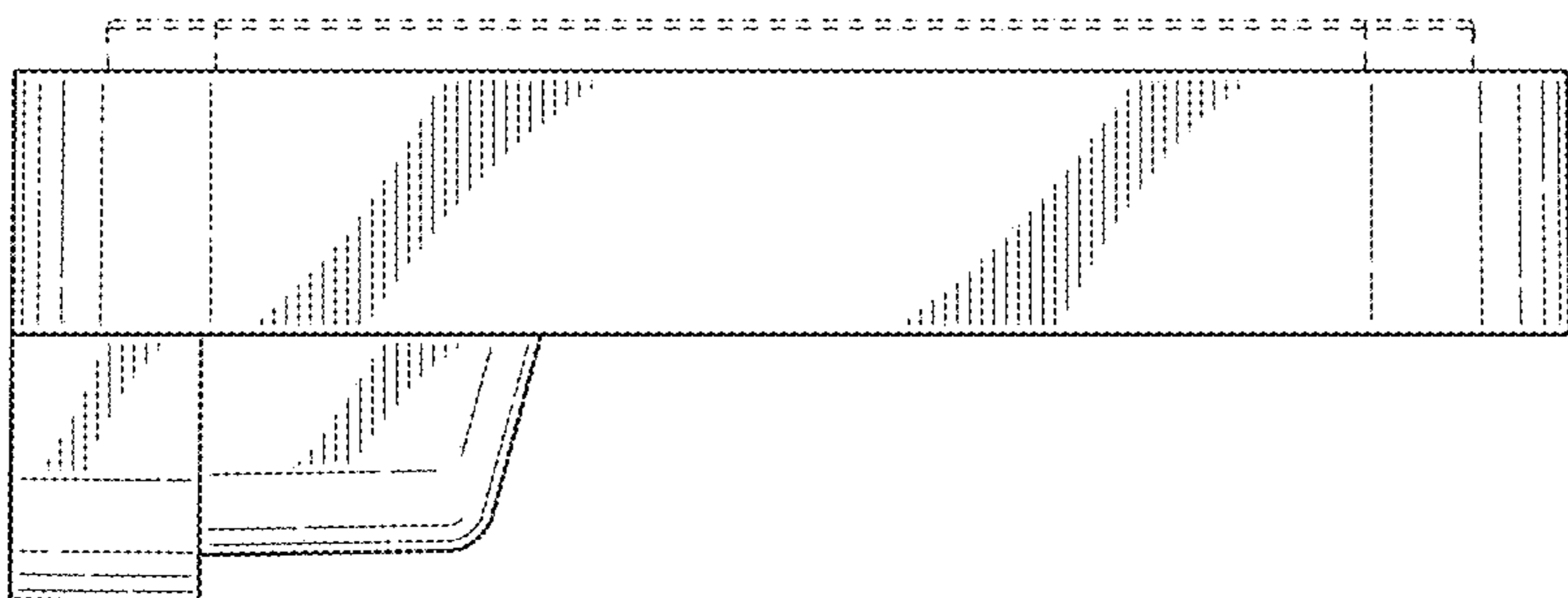
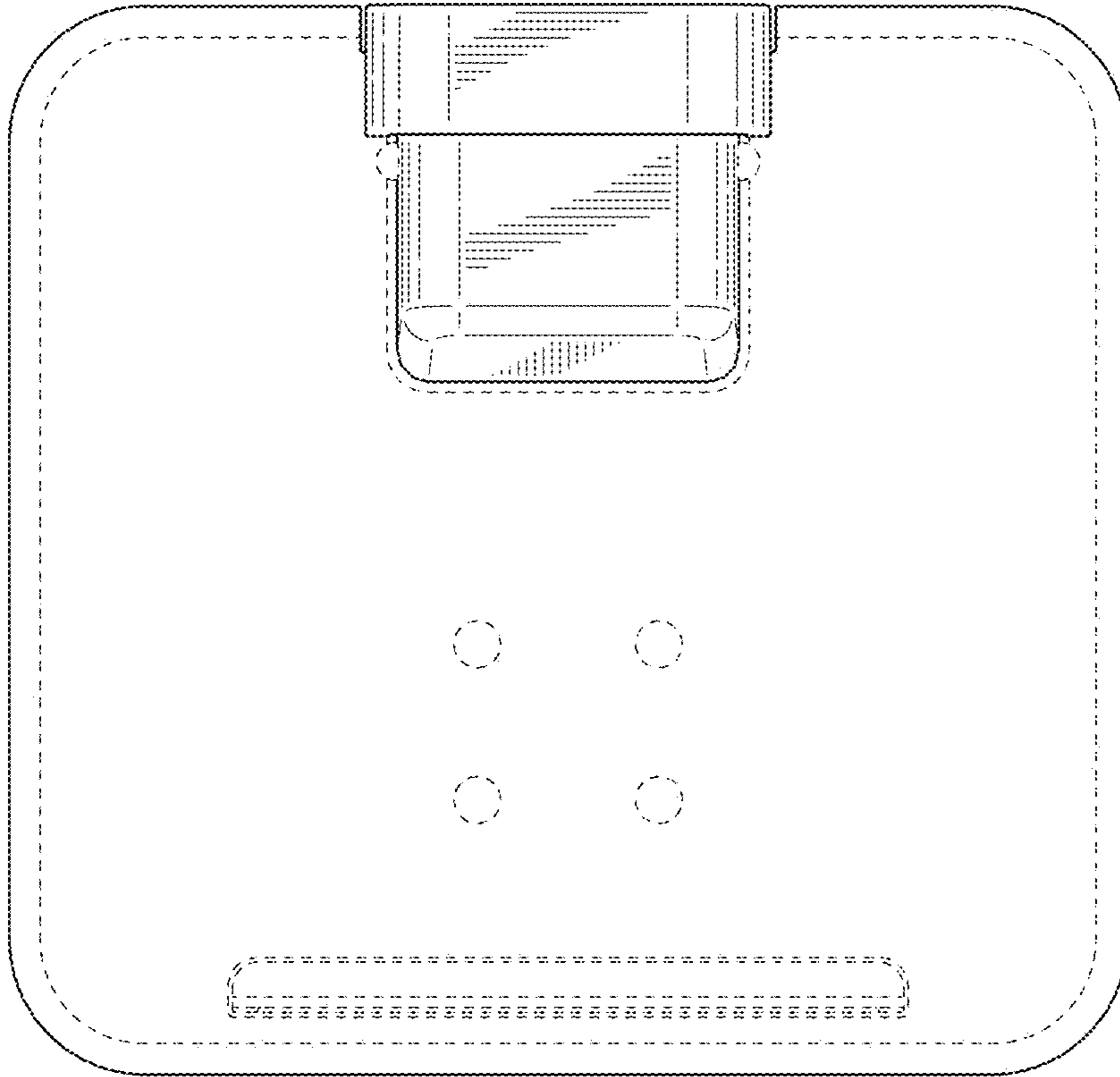
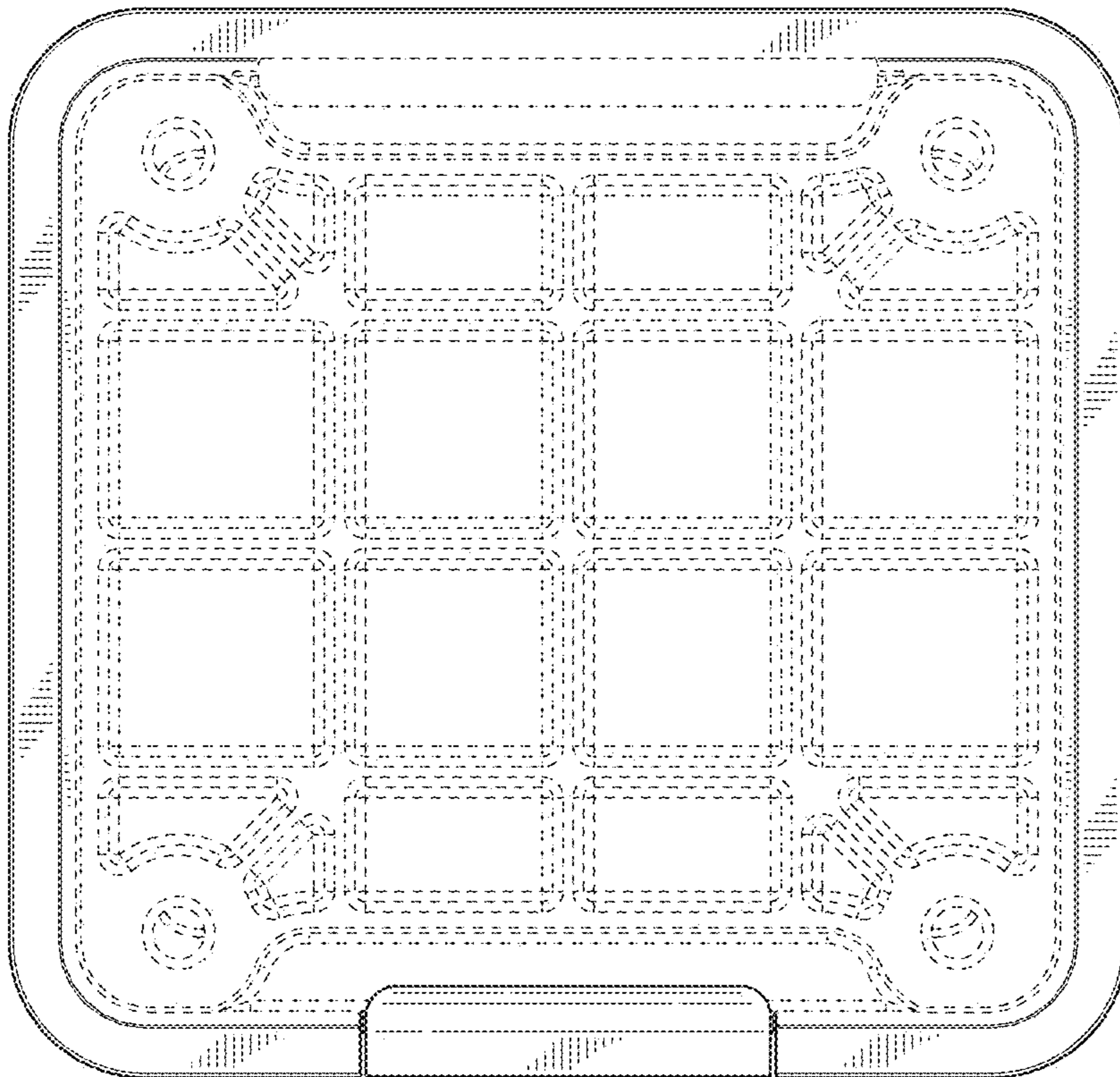


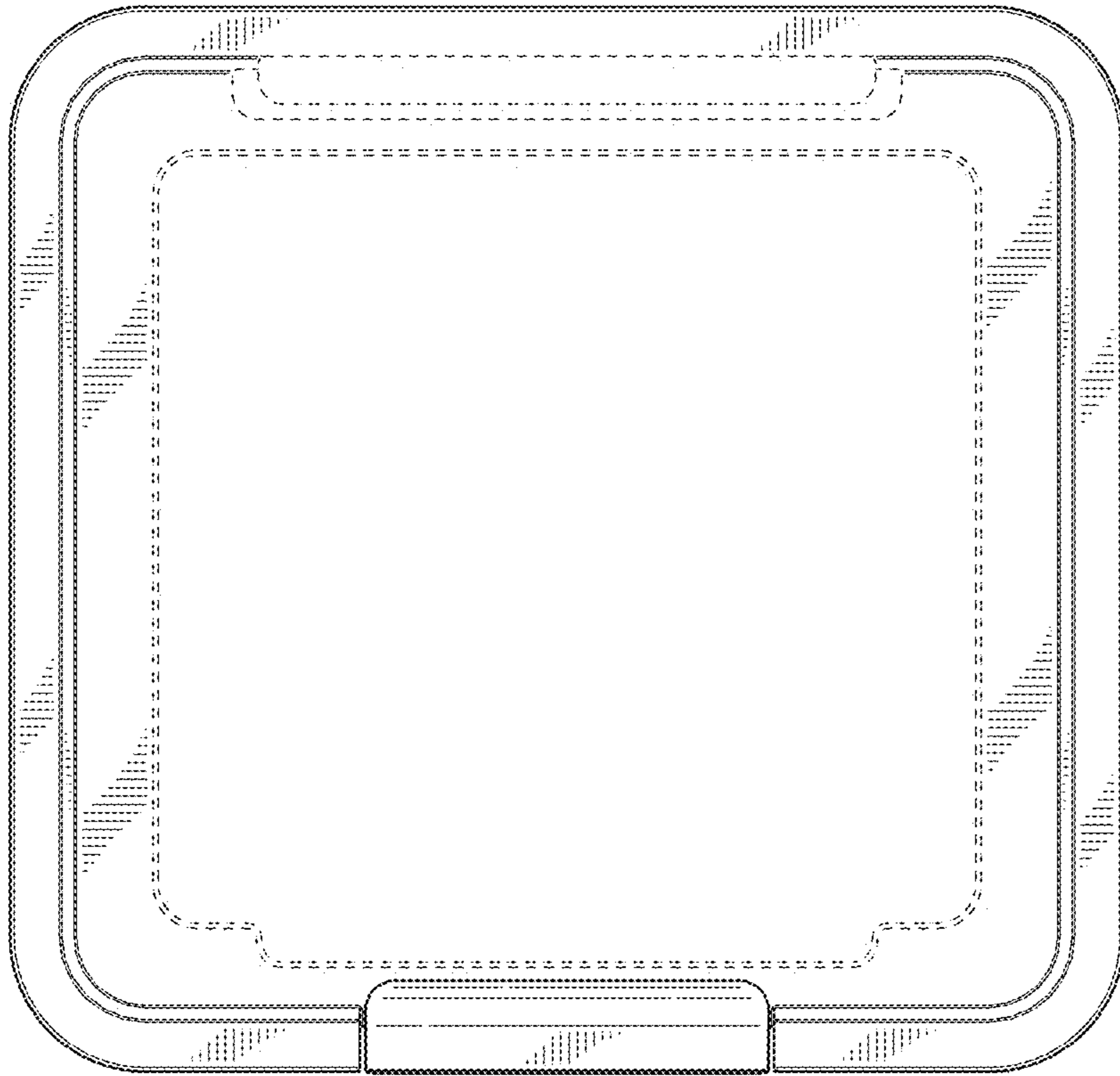
FIG. 5



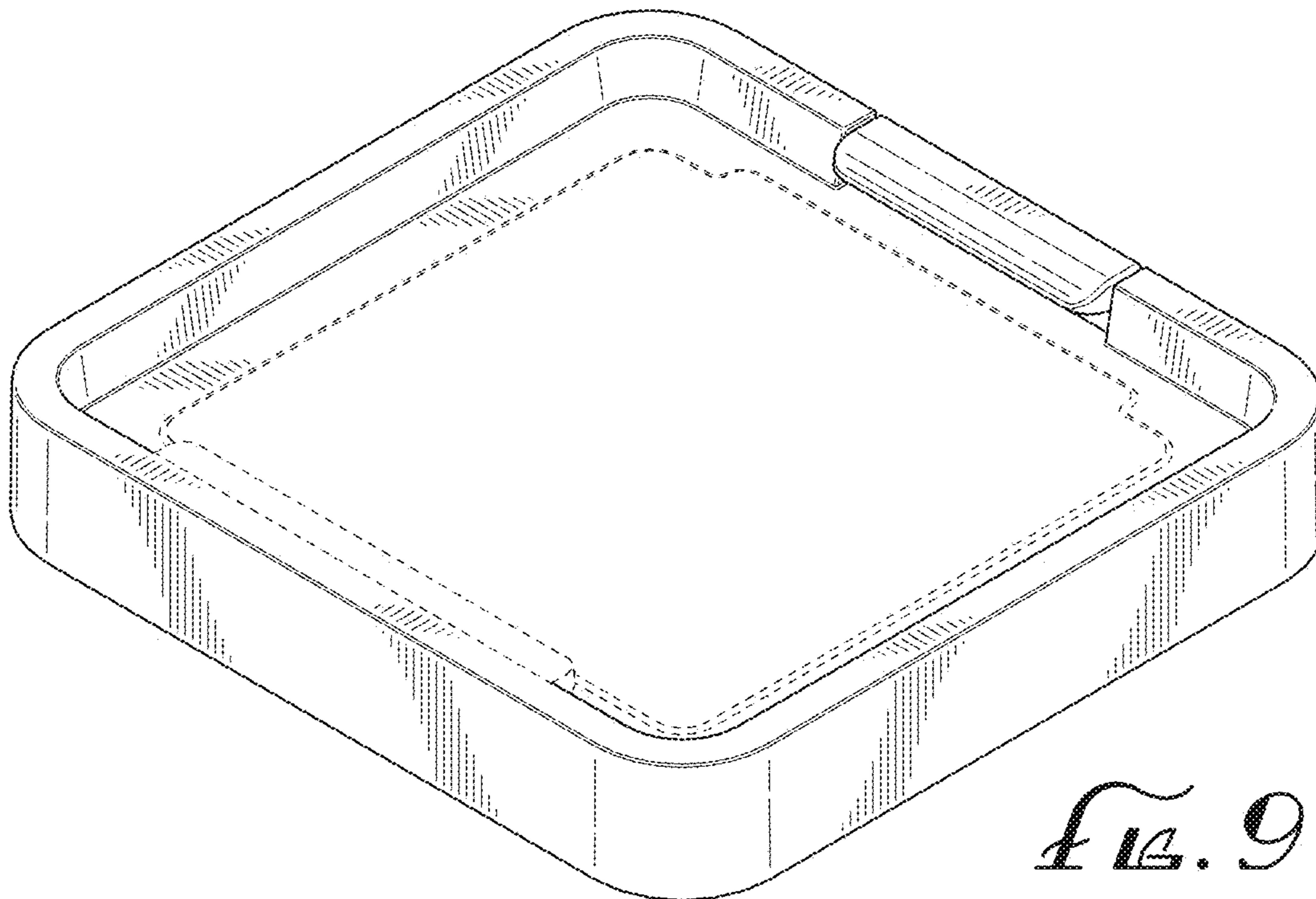
*FIG. 6*



*FIG. 7*



*FIG. 8*



*FIG. 9*