



US00D882818S

(12) **United States Design Patent** (10) **Patent No.:** **US D882,818 S**  
**Leimkuehler et al.** (45) **Date of Patent:** **\*\* Apr. 28, 2020**

(54) **REAGENT RACK**

(71) Applicant: **Meso Scale Technologies, LLC.**,  
Rockville, MD (US)

(72) Inventors: **Aaron Leimkuehler**, Pittsburgh, PA  
(US); **Manish Kochar**, Rockville, MD  
(US); **Jennifer Parker**, Frederick, MD  
(US); **Nick Sammons**, Rockville, MD  
(US); **Bandelee Jeffrey-Coker**,  
Darnestown, MD (US)

(73) Assignee: **Meso Scale Technologies, LLC.**,  
Rockville, MD (US)

(\*\*) Term: **15 Years**

(21) Appl. No.: **29/558,605**

(22) Filed: **Mar. 18, 2016**

(51) **LOC (12) Cl.** ..... **24-02**

(52) **U.S. Cl.**  
USPC ..... **D24/227**

(58) **Field of Classification Search**  
USPC ..... D24/216, 217, 227-230, 127, 128, 129,  
D24/130, 131, 224, 226; D3/420-421,  
D3/756, 759, 206, 207, 310, 313;  
D9/203.1-203.8, 414, 415, 416, 417, 418,  
D9/421, 423, 435, 455, 721, 756, 420,  
D9/456; D19/32, 35, 75, 77-85, 91, 94,  
D19/97, 99, 100, 135; D6/470, 672,  
D6/682.1, 682.2; D7/701, 702, 703, 704,  
D7/705, 706, 707, 708

CPC ... A61B 17/02; A61B 17/0469; A61B 17/062;  
A61B 17/1666; A61B 17/3213; A61B  
50/20; A61B 50/22; A61B 50/33; A61B  
50/34; A61C 15/043; A61C 15/046; A61C  
9/0006; A61C 9/002; A61G 15/14; A61G  
15/16; A61J 1/14; A61J 1/1406; A61J  
1/1412; A61J 1/16; A61J 1/2093; A61L  
2/02; A61L 2/07; A61L 2/20; A61L 2/26;  
A61M 25/002; A61M 25/26; A61M  
5/001; A61M 5/002; A61M 5/008; A61M  
5/3202; A61M 5/3205; B25H 3/02; B25H

3/023; B25H 3/04; B25H 3/06; B65D  
1/243; B65D 1/26; B65D 1/34; B65D  
1/36; B65D 21/0202; B65D 21/0212;  
B65D 21/022; B65D 21/0233; B65D  
21/064; B65D 21/083; B65D 85/305;  
B65D 85/322; B65D 85/324; B65D  
85/36; B65D 85/42; B65D

(Continued)

(56) **References Cited**

U.S. PATENT DOCUMENTS

D222,522 S \* 10/1971 Zipf ..... D3/313  
3,630,171 A \* 12/1971 Huck ..... A61J 7/04  
116/308

(Continued)

OTHER PUBLICATIONS

Korean Office Action dated Nov. 4, 2019 received in Korean  
Application No. 30-2019-0032223 (Design Serial No. M005), together  
with an English-language translation.

(Continued)

*Primary Examiner* — Samantha Q Lawrence  
(74) *Attorney, Agent, or Firm* — Scully, Scott, Murphy &  
Presser, P.C.

(57) **CLAIM**

The ornamental design for a reagent rack, as shown and  
described.

**DESCRIPTION**

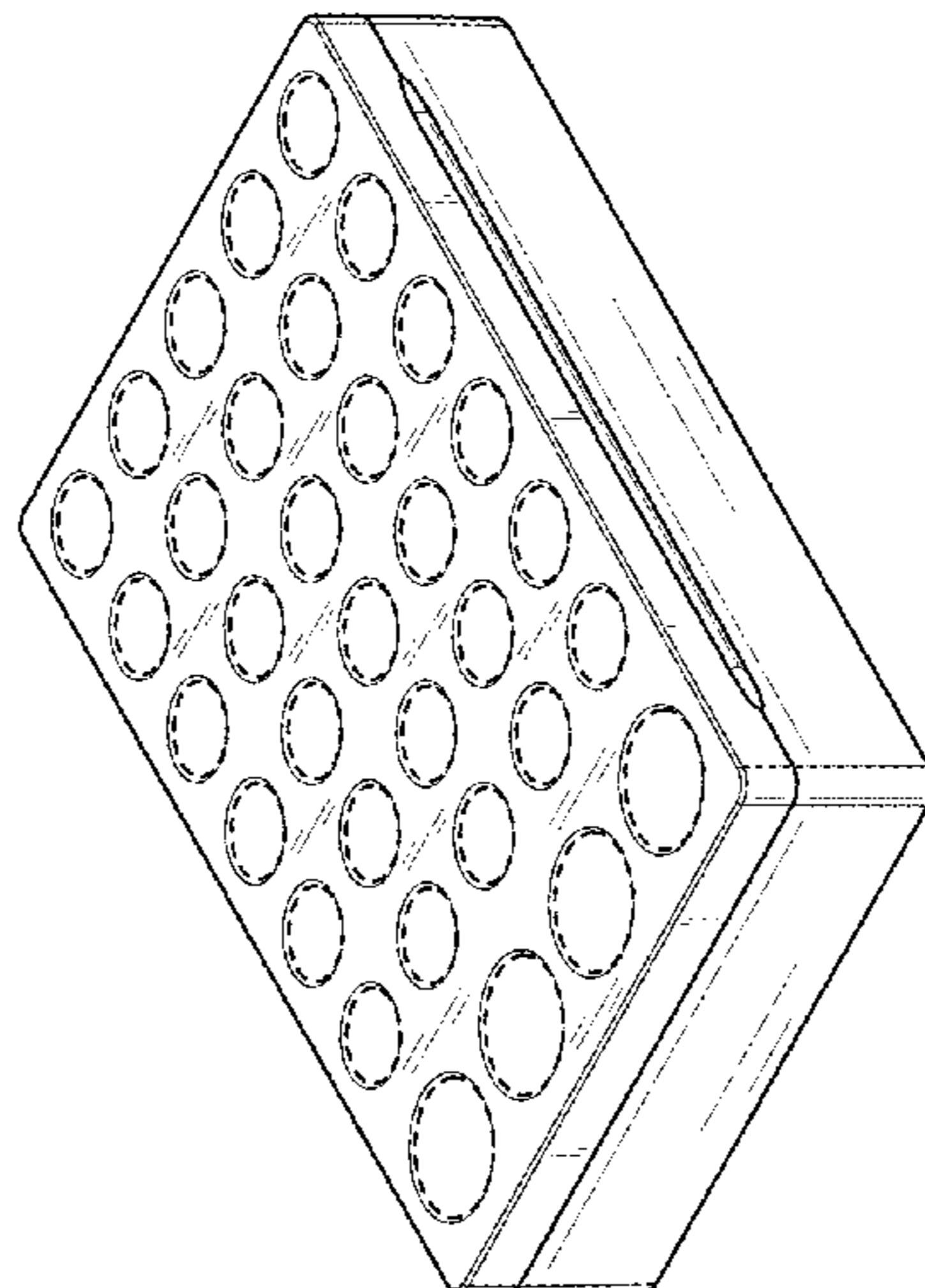
FIG. 1 is a perspective view of the reagent rack showing our  
new and ornamental design

FIG. 2 is a top view thereof; and,

FIG. 3 is a side view thereof.

The broken lines are included for the purpose of illustrating  
unclaimed portions of the reagent rack and form no part of  
the claimed design.

**1 Claim, 3 Drawing Sheets**



- (58) **Field of Classification Search**  
 CPC .. 85/505; G01N 21/03; G01N 21/0303; G01N  
 21/0332; G01N 21/05; G01N 21/07;  
 G01N 21/13; G01N 21/253; G01N 21/51;  
 G01N 21/76; G01N 35/0092; G01N  
 35/025; G01N 35/04; G01N 35/10; G01N  
 35/1065; G01N 35/1083  
 See application file for complete search history.

(56) **References Cited**

U.S. PATENT DOCUMENTS

D245,118 S \* 7/1977 Heaton ..... D24/230  
 D258,030 S \* 1/1981 Davis ..... D19/85  
 D264,810 S \* 6/1982 Voltmann ..... D24/226  
 D282,577 S \* 2/1986 Neumeister ..... D24/181  
 D288,234 S \* 2/1987 Blatherwick ..... D24/230  
 D319,348 S \* 8/1991 Monteleon ..... D3/313  
 D381,515 S \* 7/1997 Haynes ..... D24/224  
 D411,308 S \* 6/1999 Pandey ..... D24/227  
 D414,936 S \* 10/1999 Doubek ..... D3/315  
 D420,142 S \* 2/2000 Ballin ..... D24/230  
 D504,550 S \* 4/2005 Setcer, Jr. .... D99/34  
 6,875,405 B1 \* 4/2005 Mathus ..... B01L 9/06  
 206/446  
 D529,622 S \* 10/2006 Hadjis ..... D24/229  
 D538,538 S \* 3/2007 Espinosa ..... D3/313  
 D574,505 S \* 8/2008 Muller-Cohn ..... D24/216  
 D632,803 S \* 2/2011 Motadel ..... D24/229  
 8,100,263 B2 \* 1/2012 Vanderbush ..... A61M 5/002  
 206/366  
 D653,767 S \* 2/2012 Lovshe ..... D24/230  
 8,118,167 B2 \* 2/2012 Togashi ..... A61M 5/008  
 206/519  
 D679,025 S \* 3/2013 Motadel ..... D24/227

D699,370 S \* 2/2014 Motadel ..... D24/229  
 D699,371 S \* 2/2014 Williams ..... D24/230  
 D733,315 S \* 6/2015 Lui ..... D24/227  
 D733,316 S \* 6/2015 Lui ..... D3/203.1  
 D733,318 S \* 6/2015 Lui ..... D24/227  
 9,108,201 B2 \* 8/2015 Motadel ..... B01L 9/543  
 D748,280 S \* 1/2016 Lui ..... D9/759  
 D766,455 S \* 9/2016 Smollar ..... D24/229  
 D767,783 S \* 9/2016 McClelland ..... D24/227  
 9,545,635 B2 \* 1/2017 Motadel ..... B01L 9/543  
 D801,546 S \* 10/2017 Johansson ..... D24/229  
 D808,540 S \* 1/2018 Johns ..... D24/227  
 D826,426 S \* 8/2018 Muller ..... D24/230  
 D838,004 S \* 1/2019 Houkal ..... D24/230  
 D854,707 S \* 7/2019 Jakobsen ..... D24/230  
 2014/0353177 A1 \* 12/2014 Senate ..... A45C 11/16  
 206/6.1  
 2017/0136467 A1 \* 5/2017 Johns ..... B01L 9/06

OTHER PUBLICATIONS

Korean Office Action dated Nov. 4, 2019 received in Korean Application No. 30-2019-0032223 (Design Serial No. M004), together with an English-language translation.  
 Korean Office Action dated Nov. 4, 2019 received in Korean Application No. 30-2019-0032223 (Design Serial No. M003), together with an English-language translation.  
 Korean Office Action dated Nov. 4, 2019 received in Korean Application No. 30-2019-0032223 (Design Serial No. M002), together with an English-language translation.  
 Korean Office Action dated Nov. 4, 2019 received in Korean Application No. 30-2019-0032223 (Design Serial No. M001), together with an English-language translation.

\* cited by examiner

FIGURE 1

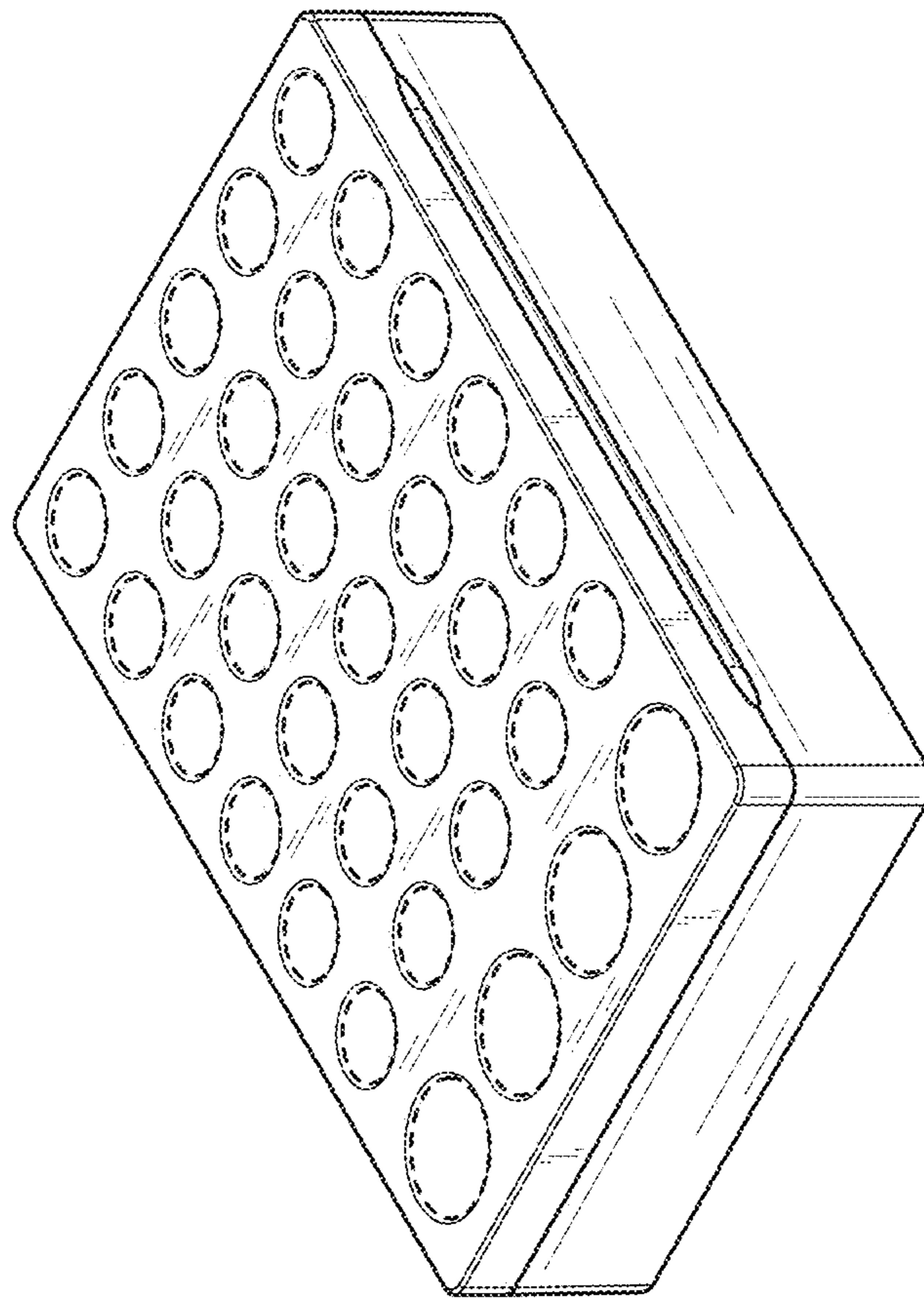


FIGURE 2

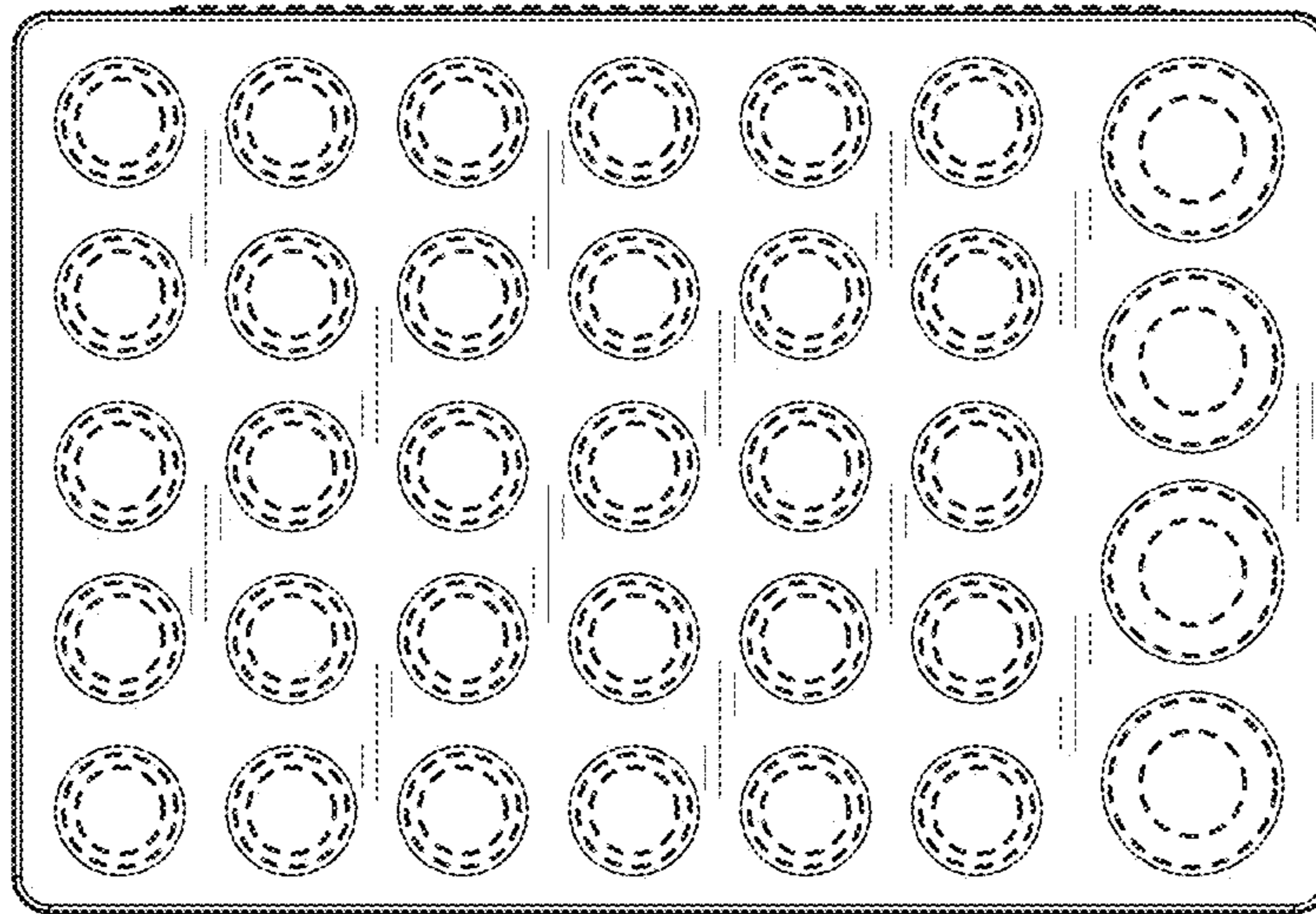


FIGURE 3

