



US00D882807S

(12) **United States Design Patent** (10) **Patent No.:** **US D882,807 S**
Xiong (45) **Date of Patent:** **** Apr. 28, 2020**

(54) **SKIN CARE APPARATUS**
(71) Applicant: **Shenzhen Hongwang Nicemay Electric Co., Ltd**, Shenzhen (CN)
(72) Inventor: **Shasha Xiong**, Shenzhen (CN)
(73) Assignee: **SHENZHEN HONGWANG NICEMAY ELECTRIC CO., LTD**, Shenzhen (CN)

D810,680 S * 2/2018 Carreon D13/108
D851,035 S * 6/2019 Hong D13/108
D853,835 S * 7/2019 Ang D9/420
D863,586 S * 10/2019 Miller D24/214
D864,406 S * 10/2019 An D24/214
D864,961 S * 10/2019 Sakaguchi D14/388
D866,165 S * 11/2019 Luo D3/205
2015/0100002 A1 * 4/2015 Choi A45D 34/04
601/2

(**) Term: **15 Years**
(21) Appl. No.: **29/665,091**
(22) Filed: **Sep. 30, 2018**

(30) **Foreign Application Priority Data**

Apr. 9, 2018 (CN) 2018 3 0140499

(51) **LOC (12) Cl.** **28-03**

(52) **U.S. Cl.**
USPC **D24/214**

(58) **Field of Classification Search**
USPC D28/4, 7, 9, 10, 56-59, 62, 82, 99;
D13/107-108; D4/100-102;
D24/214-215
CPC A45D 29/00; A45D 29/18; A45D 1/08;
A45D 2/18; A45D 2/20; A45D 2/125;
A45D 2/127; A45D 40/30; A45D 44/02;
A45D 44/12

See application file for complete search history.

(56) **References Cited**

U.S. PATENT DOCUMENTS

D475,485 S * 6/2003 Sheng D28/78
D517,738 S * 3/2006 Lai D28/82
D578,711 S * 10/2008 Burrow D28/82
D664,665 S * 7/2012 Wahng D24/214
D681,877 S * 5/2013 Curry D28/7
D757,014 S * 5/2016 Hahn D13/108
D768,114 S * 10/2016 Hou D13/168
D808,901 S * 1/2018 Kelly D13/107

OTHER PUBLICATIONS

BJ 1809 Compact Ultrasonic Skin Scrubber, Nicemay, retrieved on Mar. 9, 2020, retrieved from the Internet URL: <https://www.nicemay.com/beauty-skincare/bj-1809-compact-ultrasonic-skin-scrubber.html>.*

* cited by examiner

Primary Examiner — Jennifer Rivard
Assistant Examiner — Alison M Ofstun

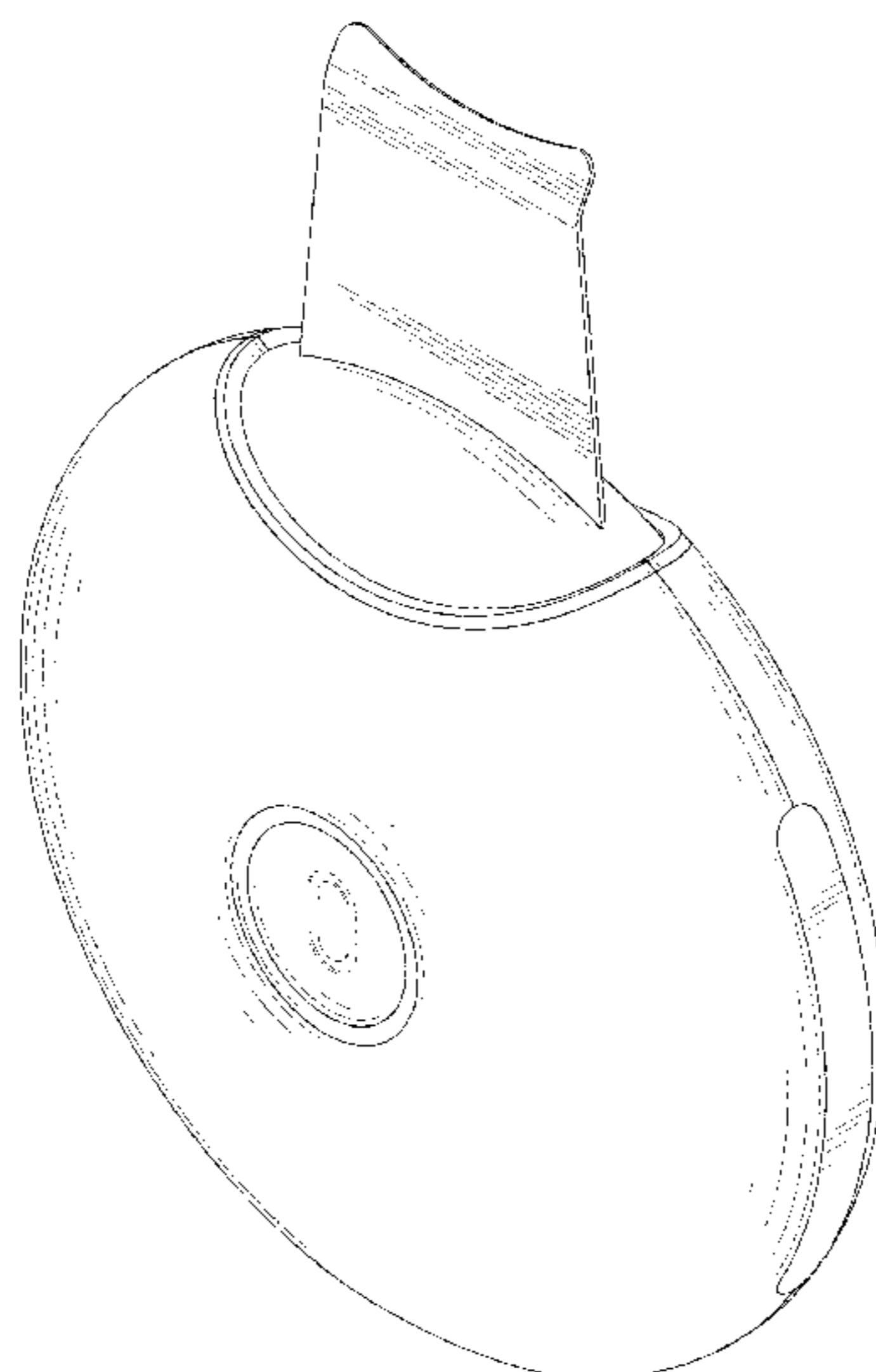
(57) **CLAIM**

The ornamental design for a skin care apparatus, as shown and described.

DESCRIPTION

FIG. 1 is a perspective view of a skin care apparatus showing my new design, shown with a lid removed;
FIG. 2 is another perspective view thereof;
FIG. 3 is a front elevational view thereof;
FIG. 4 is a rear elevational view thereof;
FIG. 5 is a left side elevational view thereof;
FIG. 6 is a right side elevational view thereof;
FIG. 7 is a top plan view thereof;
FIG. 8 is a bottom plan view thereof; and,
FIG. 9 is a perspective view thereof, shown in a position of use with a lid, in a closed configuration.
The broken lines in the drawings are for the purpose of illustrating portions of the skin care apparatus that form no part of the claimed design.

1 Claim, 9 Drawing Sheets



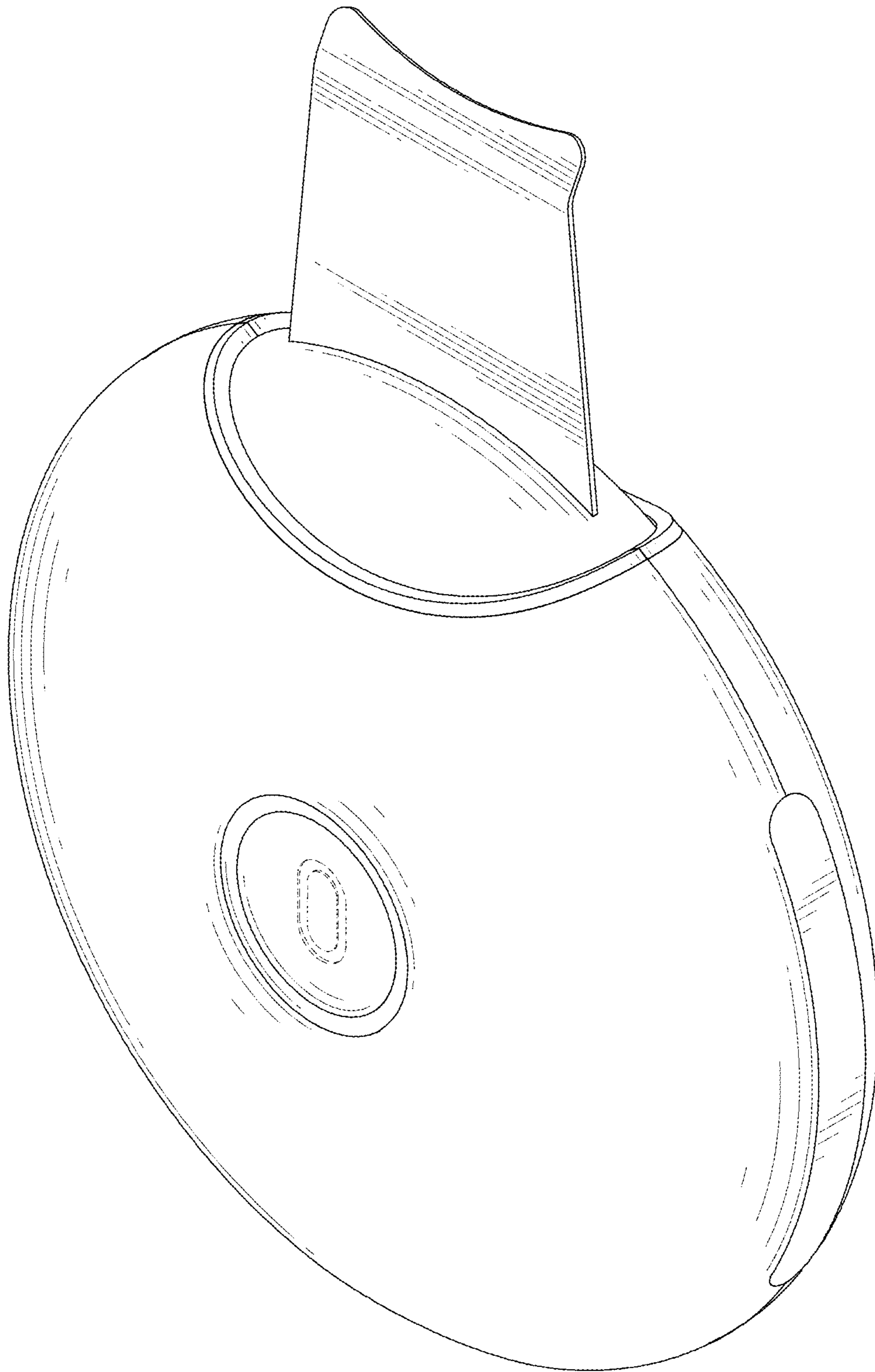


FIG. 1

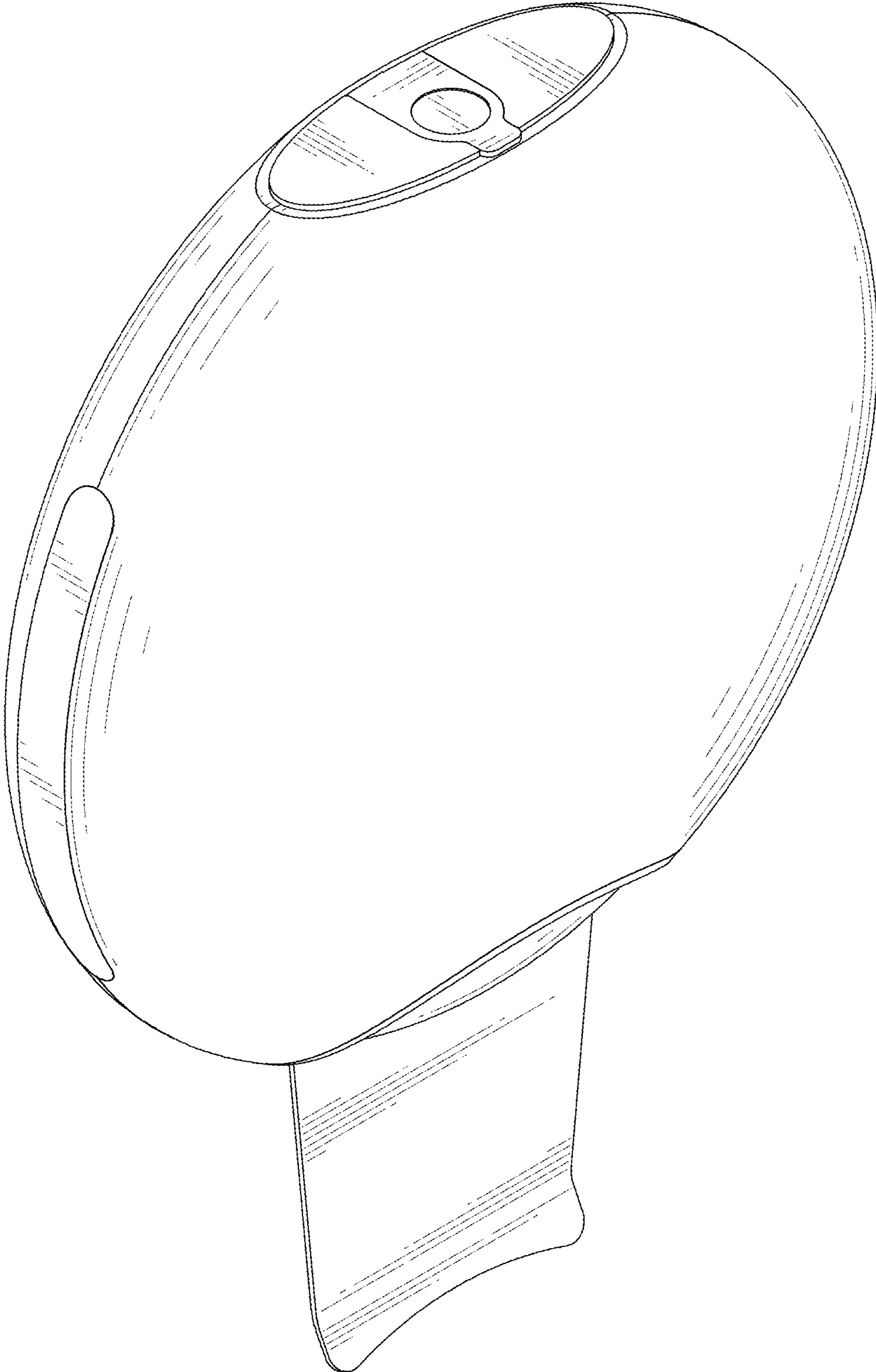


FIG. 2

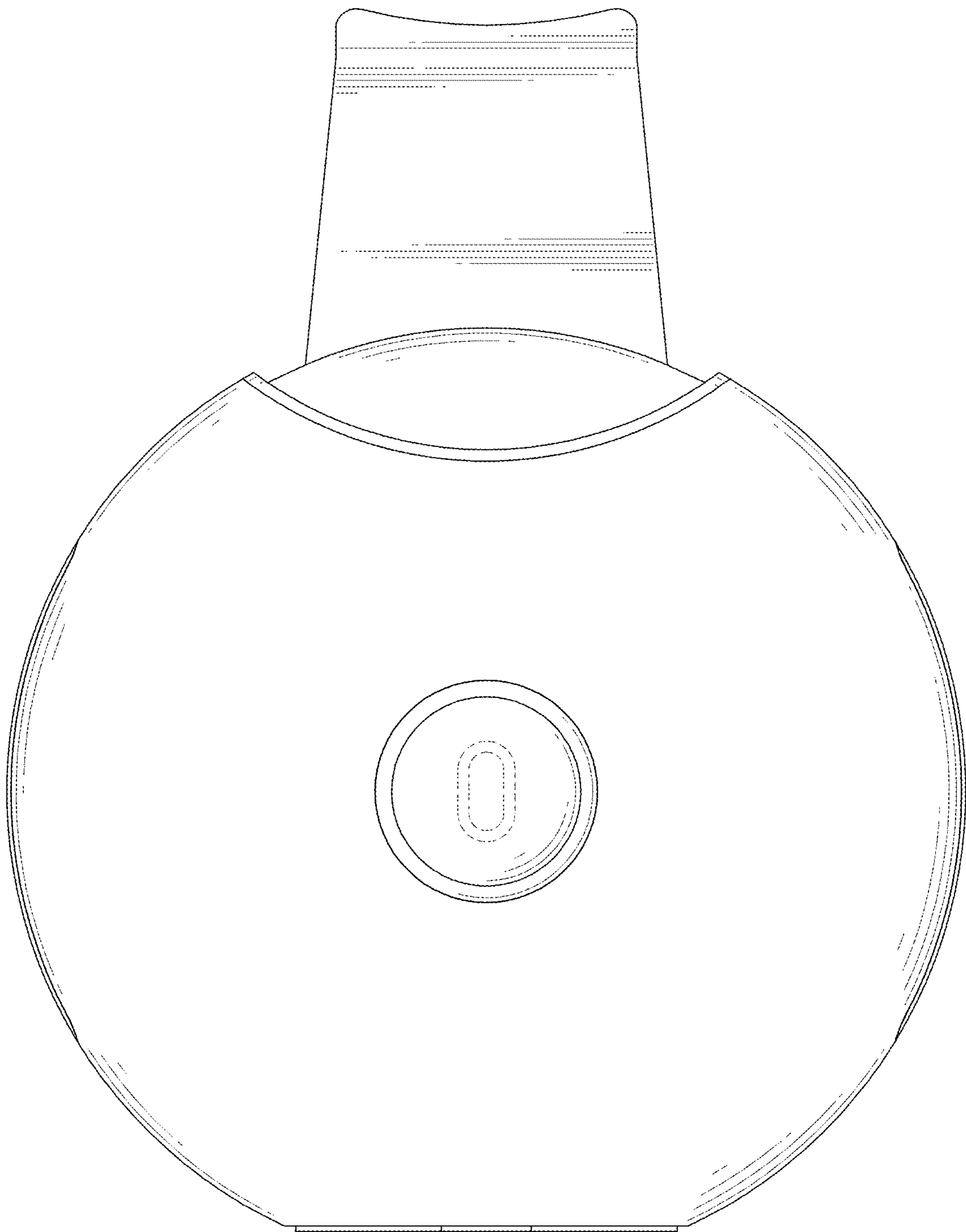


FIG. 3

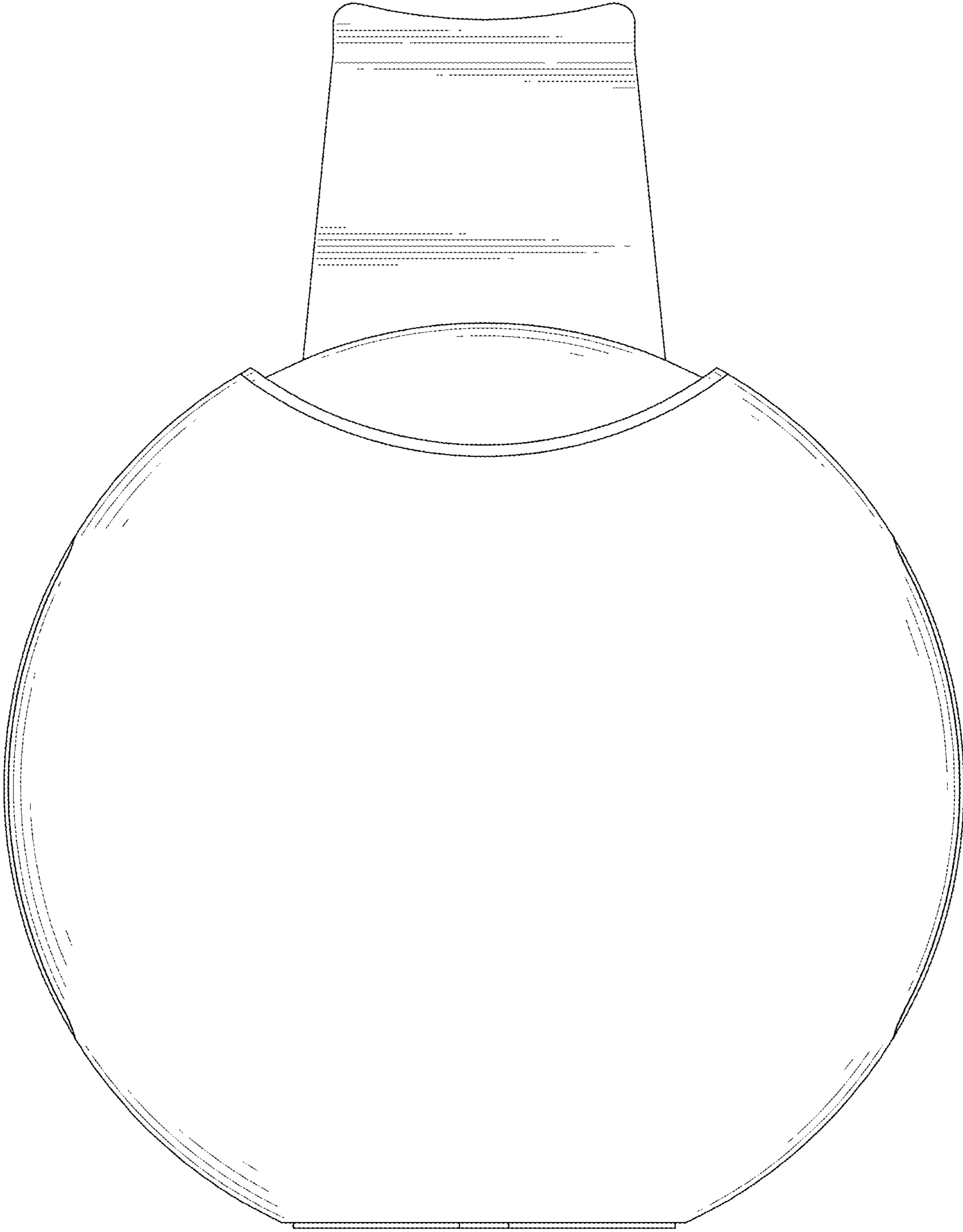


FIG. 4

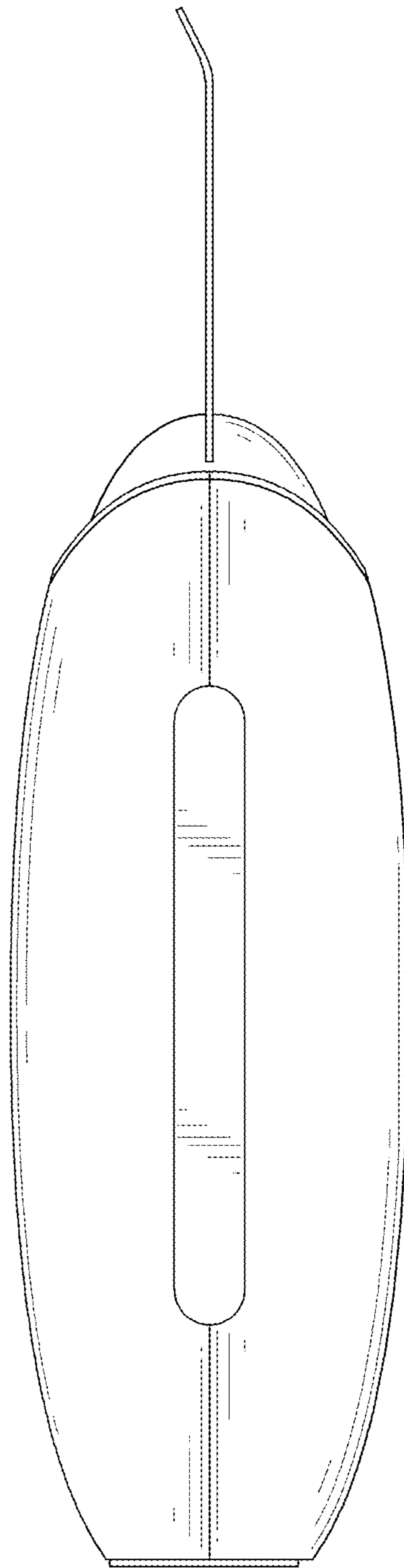


FIG. 5

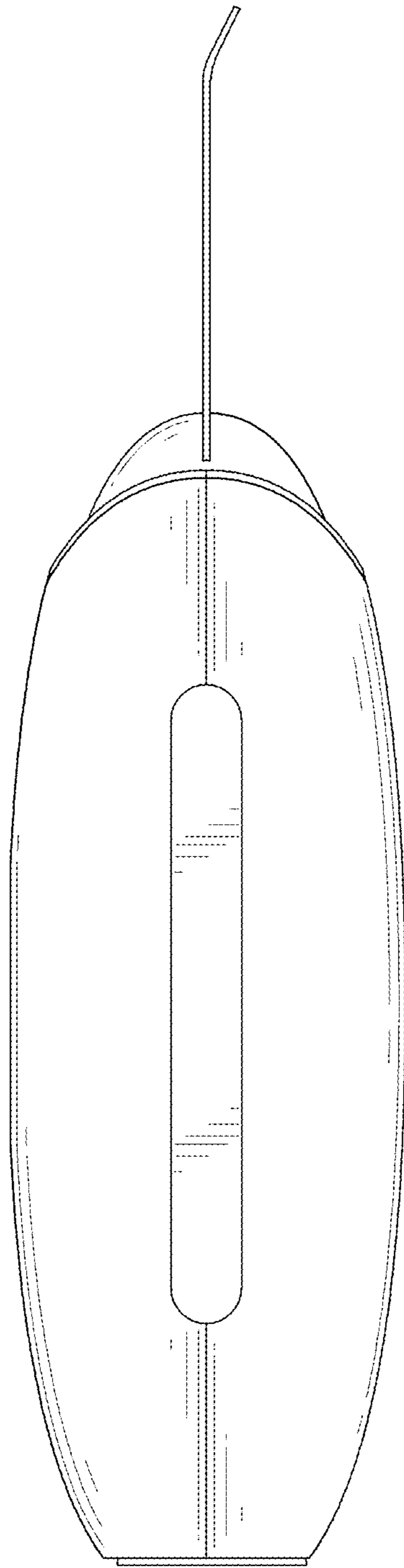


FIG. 6

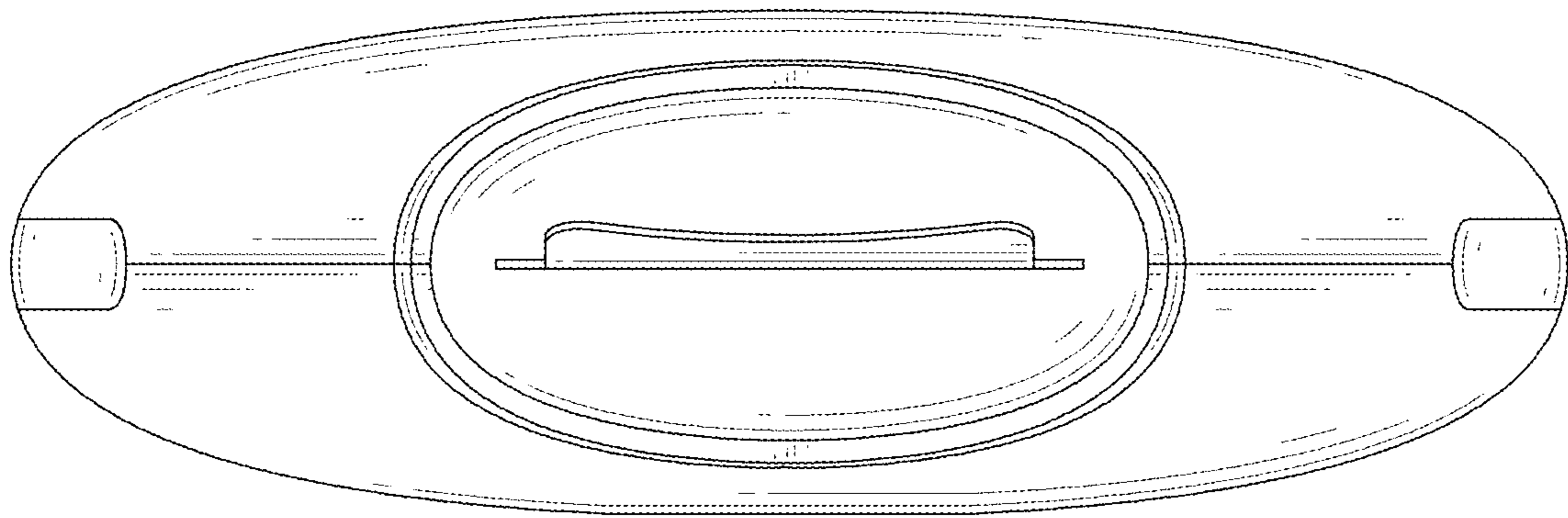


FIG. 7

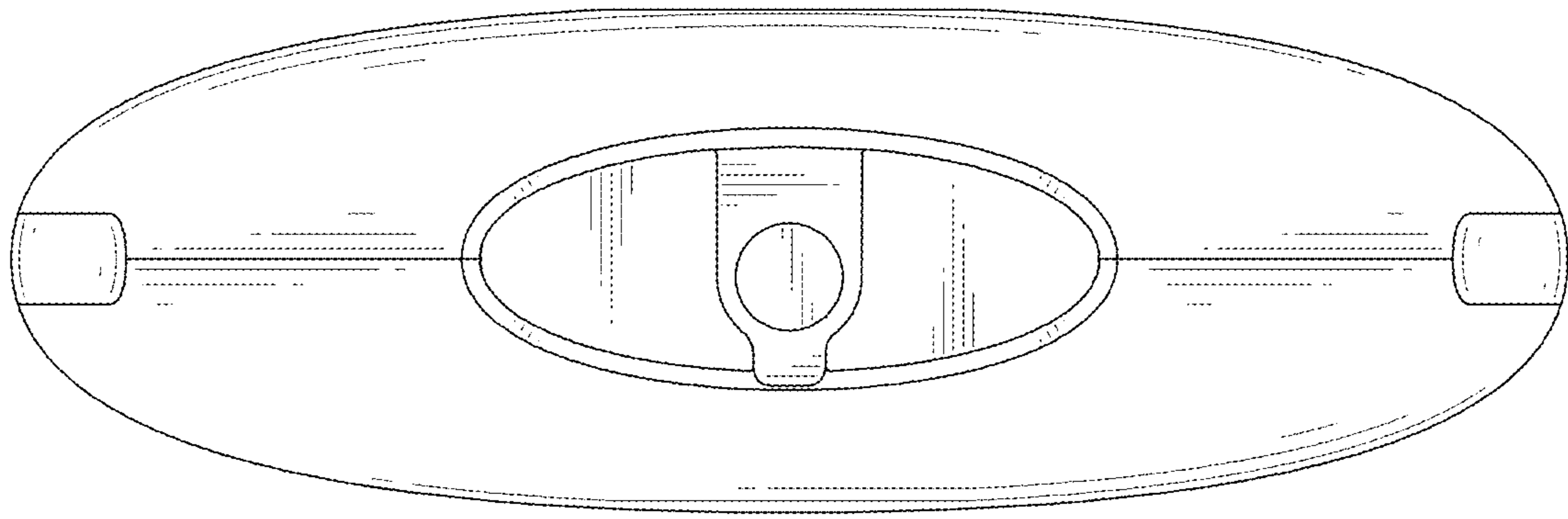


FIG. 8

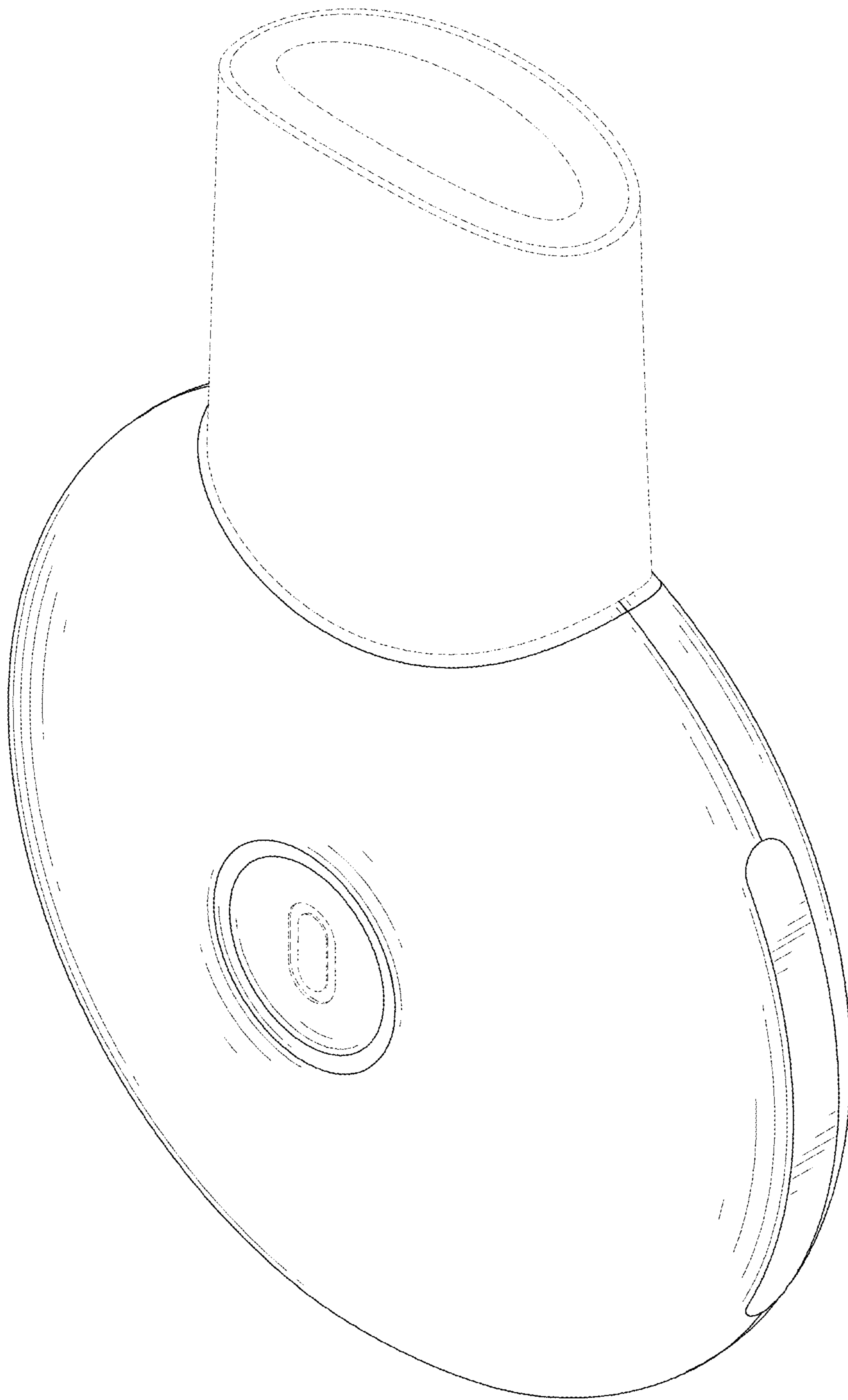


FIG. 9