



US00D882804S

(12) **United States Design Patent**  
**Matsuura**

(10) **Patent No.:** **US D882,804 S**

(45) **Date of Patent:** **\*\* Apr. 28, 2020**

(54) **POSTURE BRACE WITH THERMAL  
POCKET**

(71) Applicant: **Nancy Matsuura**, Rancho Palos  
Verdes, CA (US)

(72) Inventor: **Nancy Matsuura**, Rancho Palos  
Verdes, CA (US)

(\*\*) Term: **15 Years**

(21) Appl. No.: **29/670,279**

(22) Filed: **Nov. 14, 2018**

(51) **LOC (12) Cl.** ..... **24-01**

(52) **U.S. Cl.**  
USPC ..... **D24/190**

(58) **Field of Classification Search**  
USPC ..... D24/189–192; D2/828–830;  
D3/215–217, 222; D29/101.1  
CPC ..... A45F 3/04; A45F 3/14; A45F 5/00; A45F  
2003/045  
See application file for complete search history.

(56) **References Cited**

**U.S. PATENT DOCUMENTS**

D245,537 S *	8/1977	Gurgiolo	.....	D24/190
D381,429 S *	7/1997	Millwood	.....	D24/190
7,628,157 B2 *	12/2009	Kosh	.....	A61F 5/3792 128/869
D627,072 S *	11/2010	Kosh	.....	D24/190
D640,417 S *	6/2011	Haynes	.....	D29/101.4
D717,205 S *	11/2014	Kosh	.....	D11/201
D728,051 S *	4/2015	Rhind	.....	D21/805
D767,772 S *	9/2016	Jiminez	.....	D24/190
9,456,919 B2 *	10/2016	Pollack	.....	A61F 5/026
D776,423 S *	1/2017	Zhou	.....	D24/190
D818,132 S *	5/2018	Hille	.....	D24/190
D853,106 S *	7/2019	Pinnick	.....	D3/217
D858,780 S *	9/2019	Sikandar	.....	D24/190

2008/0216219 A1 *	9/2008	Desnoyers	.....	A41D 13/0153 2/463
2010/0318010 A1 *	12/2010	Sandifer	.....	A61F 5/026 602/19
2012/0037675 A1 *	2/2012	Shepherd	.....	A45C 3/00 224/259
2012/0078149 A1 *	3/2012	Azimizadeh	.....	A61F 5/024 602/19

(Continued)

*Primary Examiner* — Jennifer L Watkins

(74) *Attorney, Agent, or Firm* — Quickpatents, LLC;  
Kevin Prince

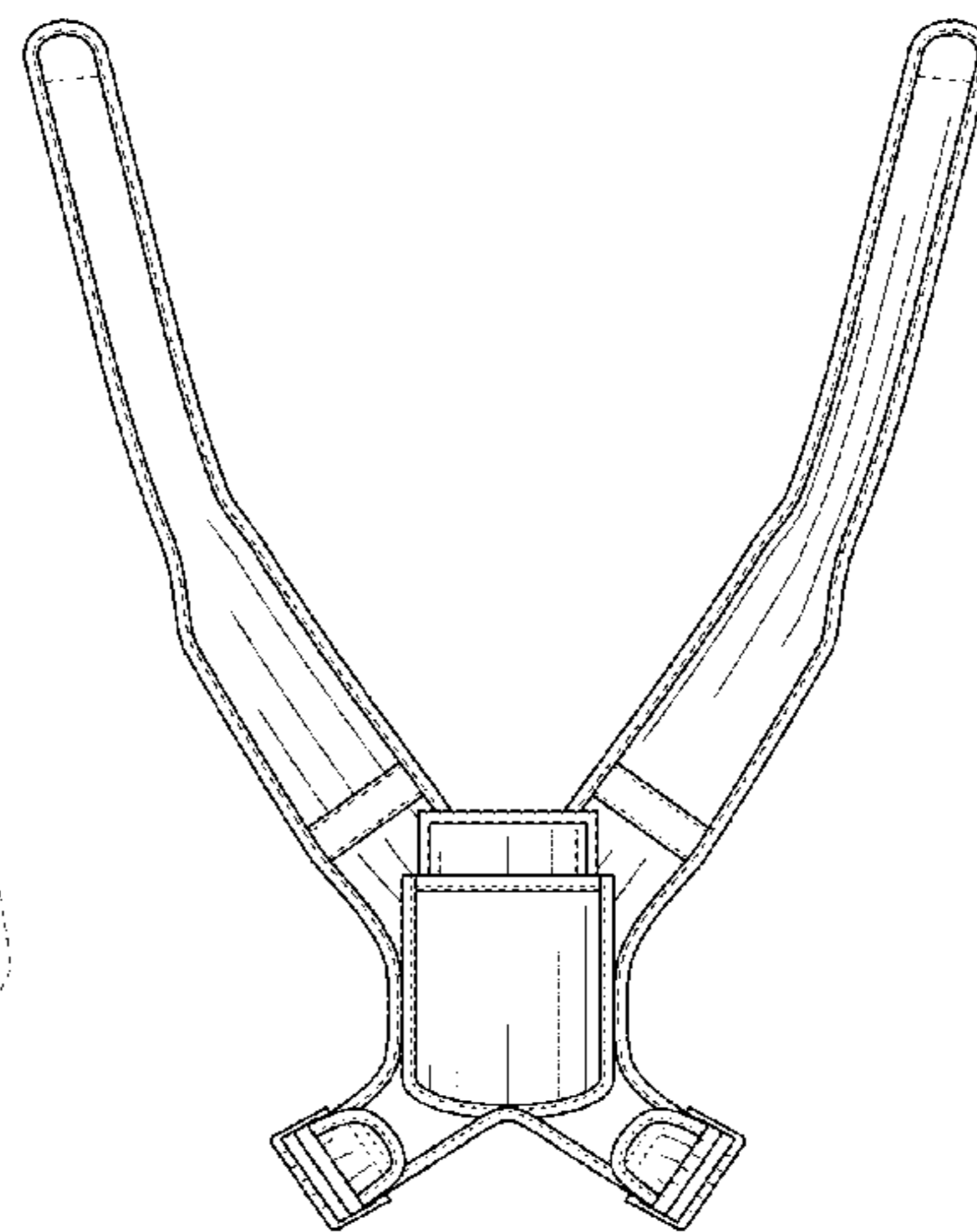
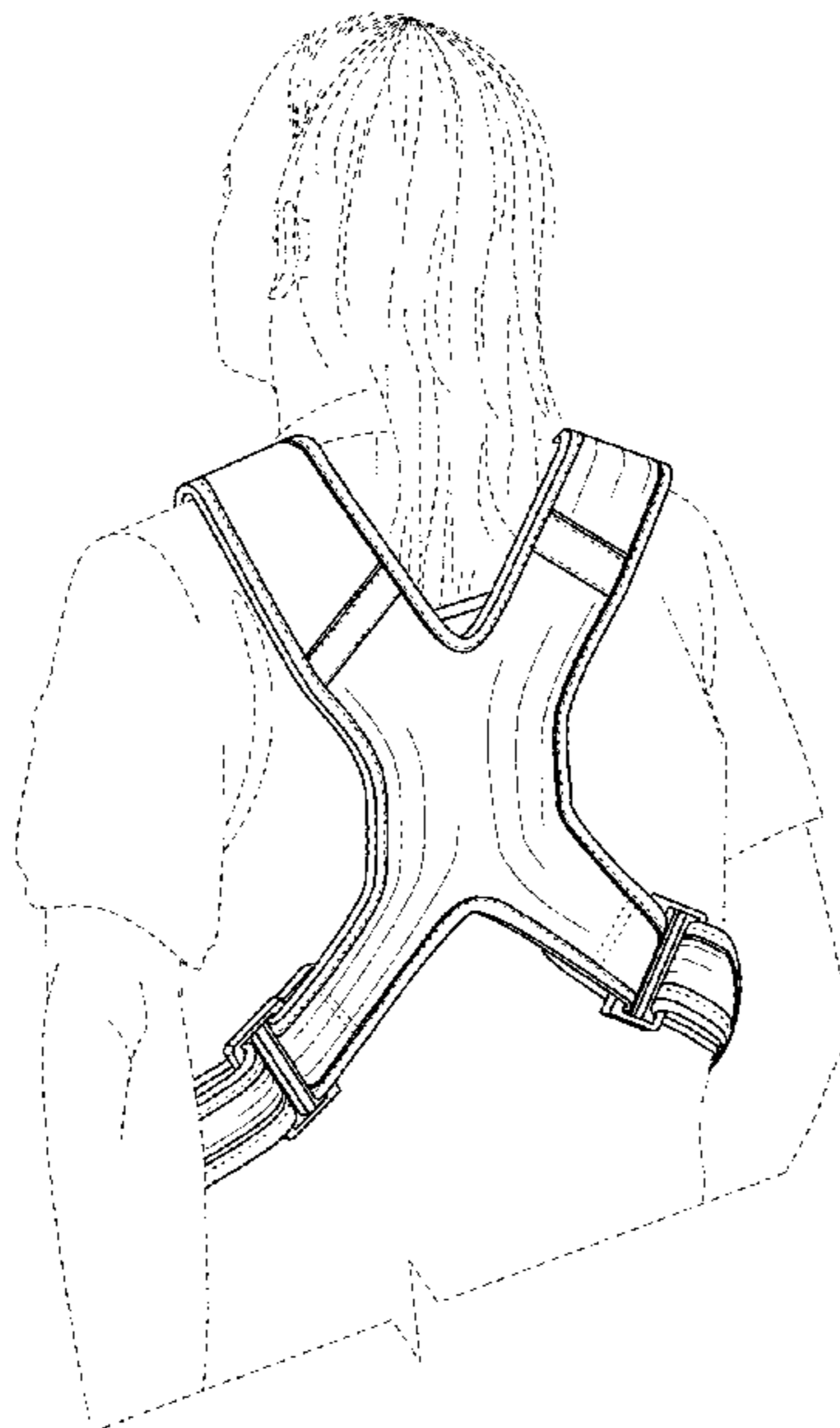
(57) **CLAIM**

I claim the ornamental design for a posture brace with thermal pocket, as shown and described.

**DESCRIPTION**

FIG. 1 is a front perspective view of a posture brace with thermal pocket, showing my new design in a deployed configuration;  
 FIG. 2 is a rear perspective view thereof;  
 FIG. 3 is a rear elevational view thereof; illustrated in a flat configuration;  
 FIG. 4 is a front elevational view of FIG. 3;  
 FIG. 5 is an exploded front elevational view of FIG. 3, illustrated with a thermal pack exploded away from a thermal pocket of the design;  
 FIG. 6 is an exploded right-side elevational view of FIG. 3;  
 FIG. 7 is an exploded left-side elevational view of FIG. 3;  
 FIG. 8 is an exploded front perspective view of FIG. 3;  
 FIG. 9 is an exploded rear perspective view of FIG. 3;  
 FIG. 10 is an exploded top plan view of FIG. 3; and,  
 FIG. 11 is an exploded bottom plan view of FIG. 3.  
 The broken lines showing a person in FIGS. 1 and 2 depict environmental matter and form no part of the claimed design. The remaining broken lines represent stitching, and are part of the claimed design.

**1 Claim, 9 Drawing Sheets**



(56)

**References Cited**

U.S. PATENT DOCUMENTS

2012/0278966 A1\* 11/2012 Ju ..... A61F 5/026  
2/69  
2013/0053750 A1\* 2/2013 Taylor ..... A61F 13/06  
602/75

\* cited by examiner

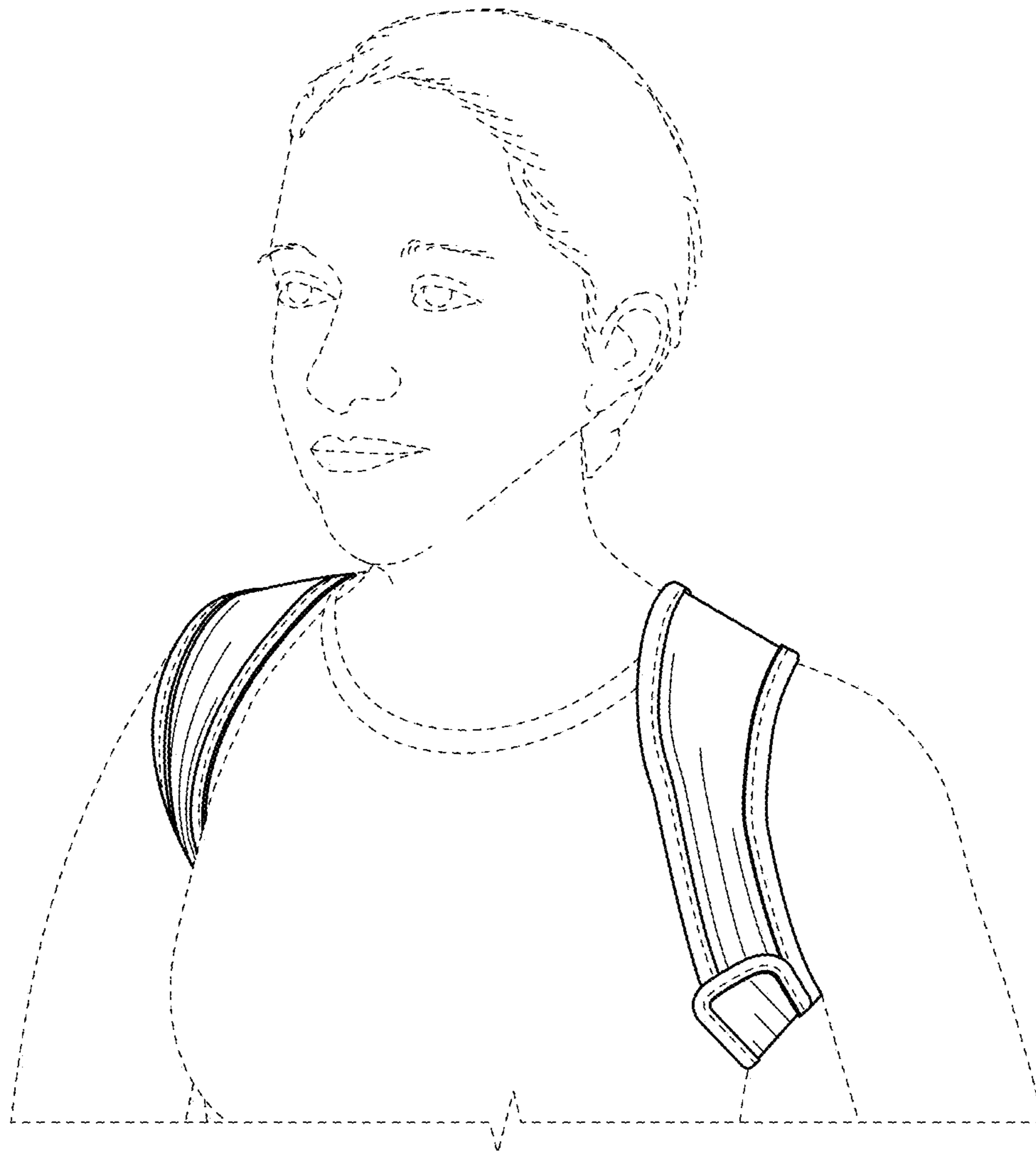


FIG. 1

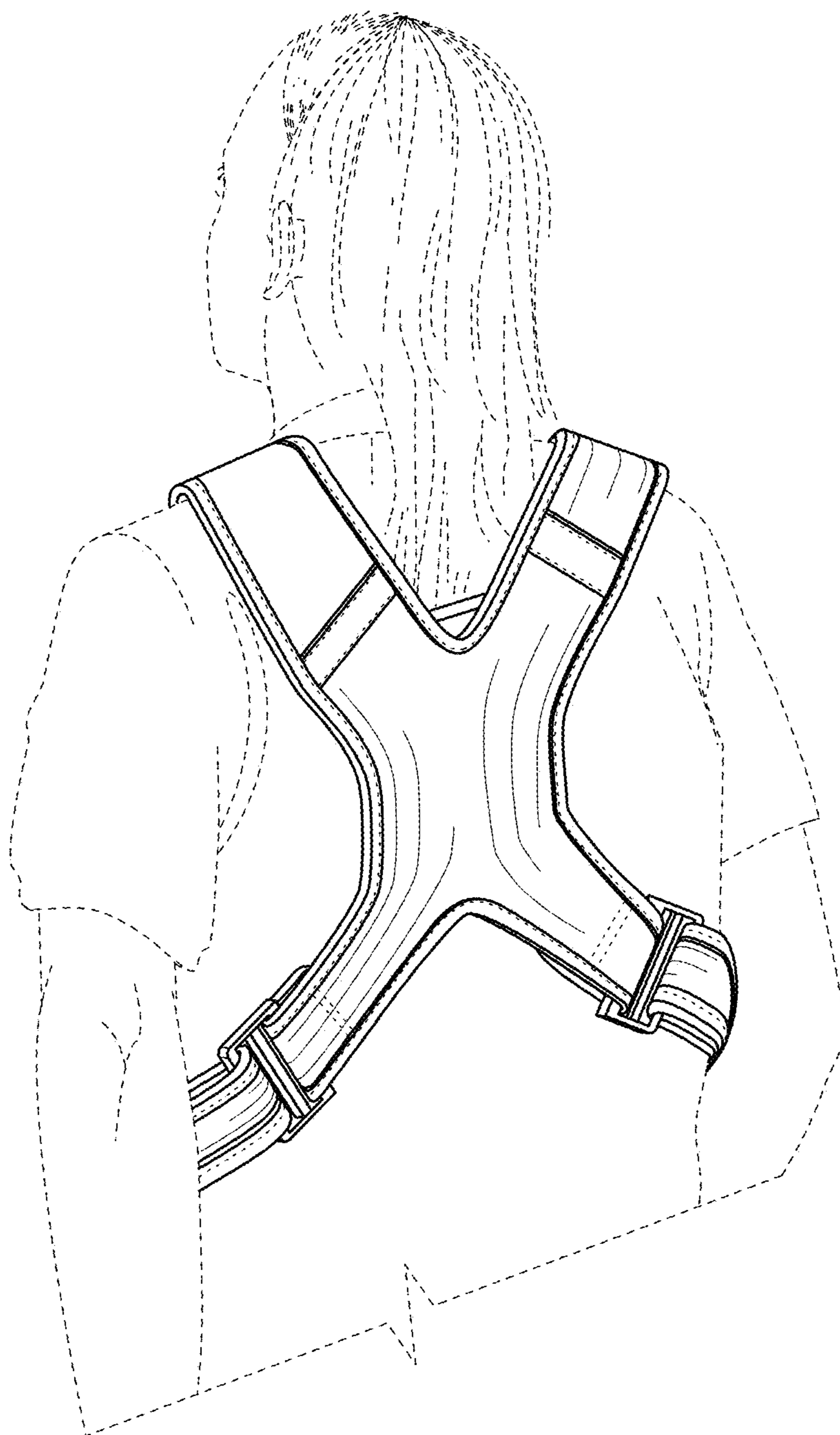


FIG. 2

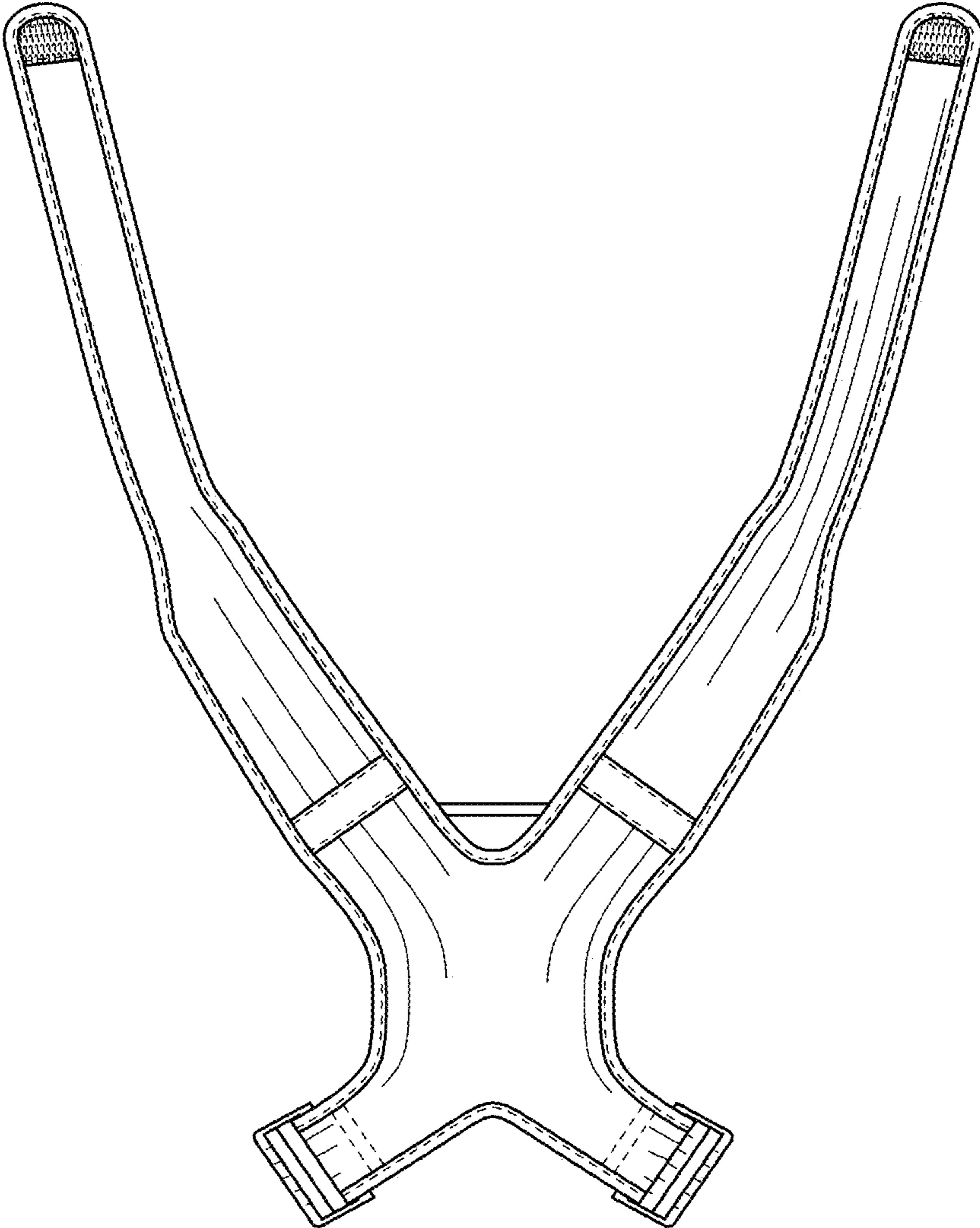


FIG. 3

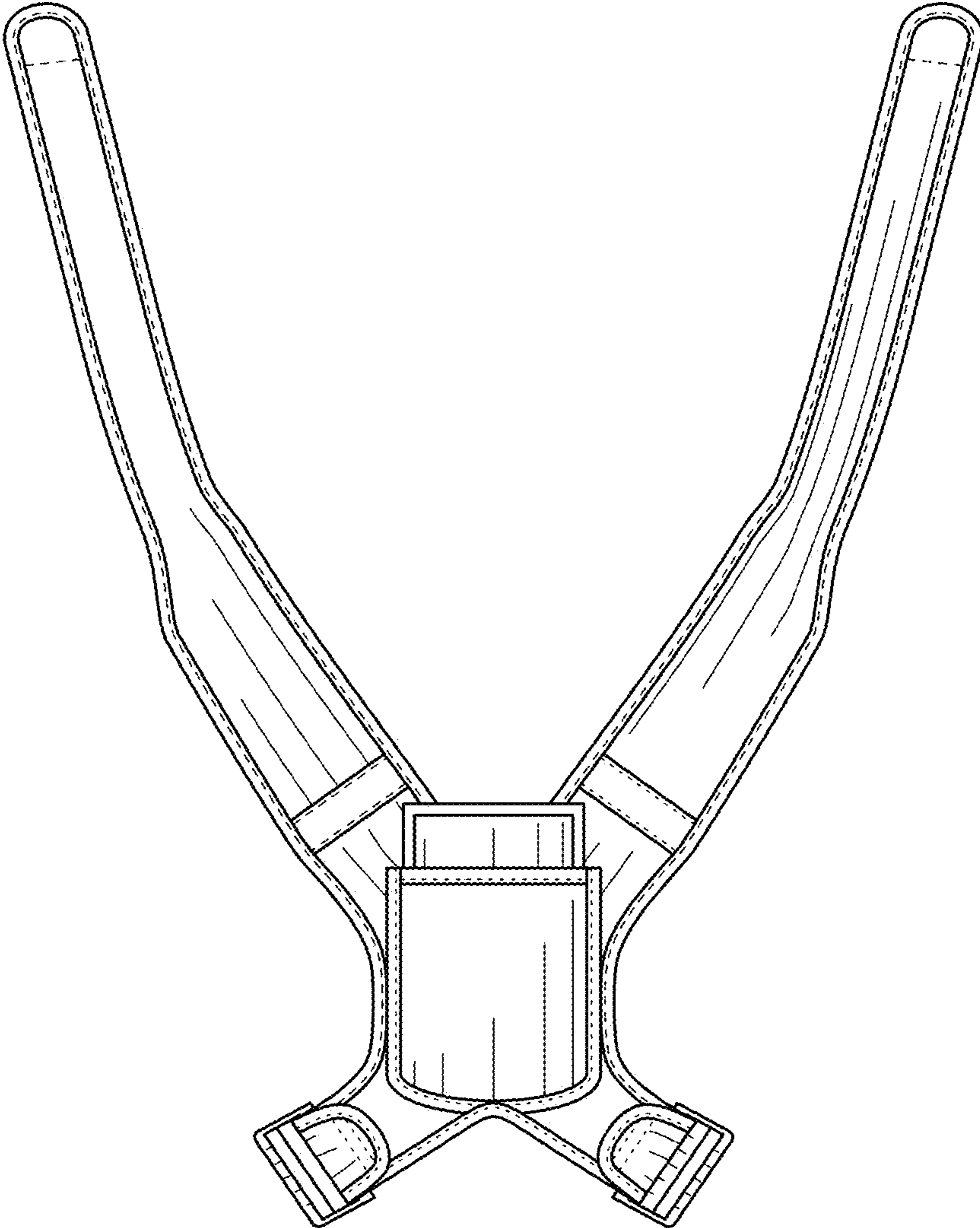


FIG. 4

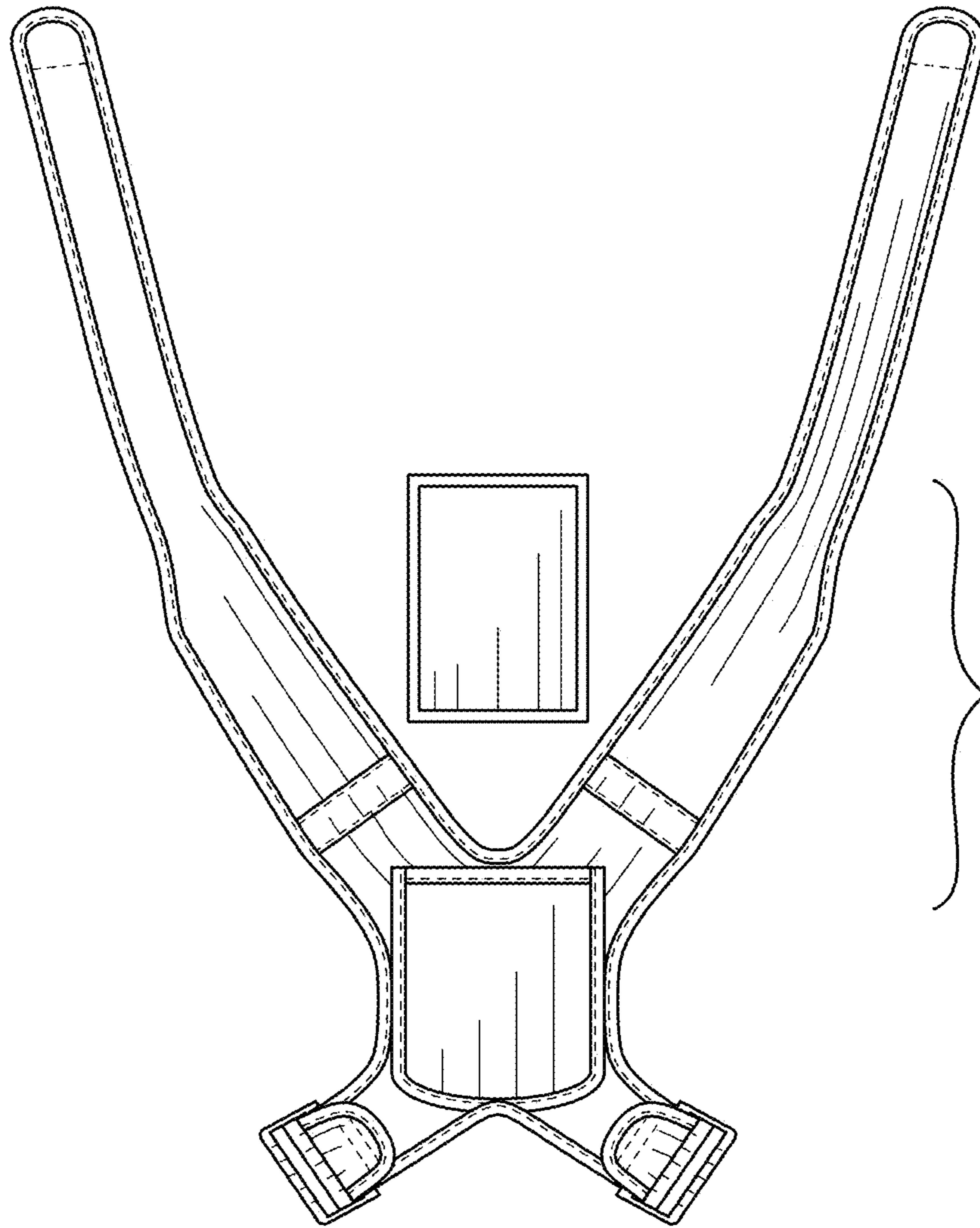


FIG. 5

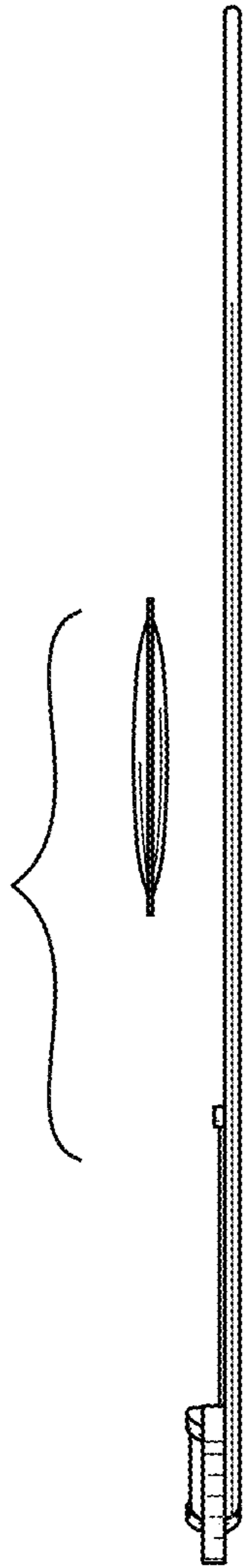


FIG. 6

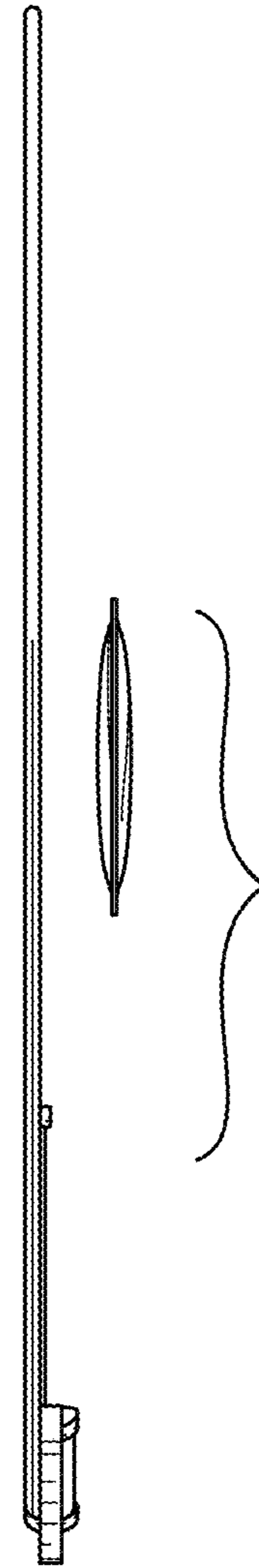


FIG. 7



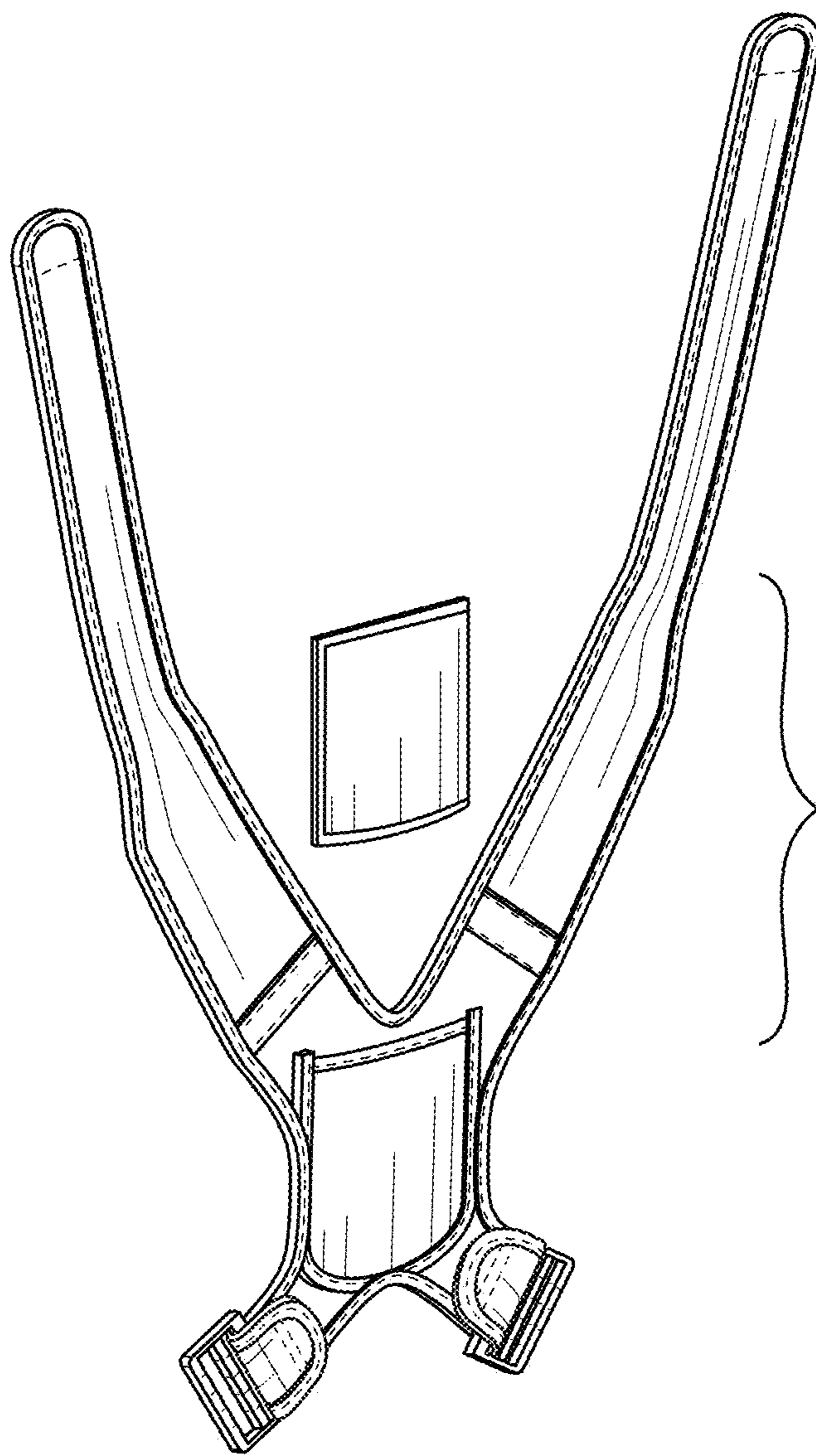


FIG. 8

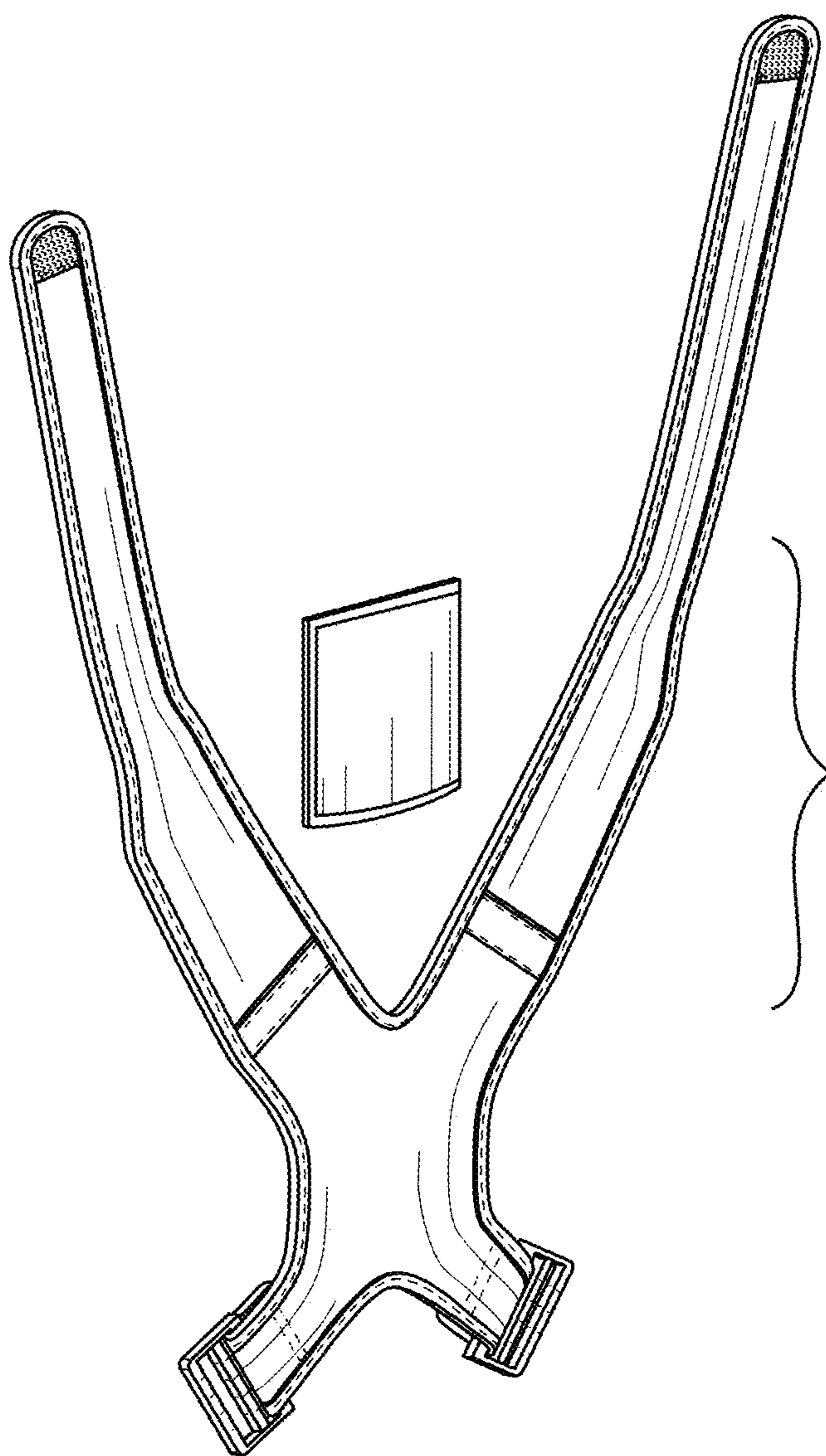


FIG. 9

